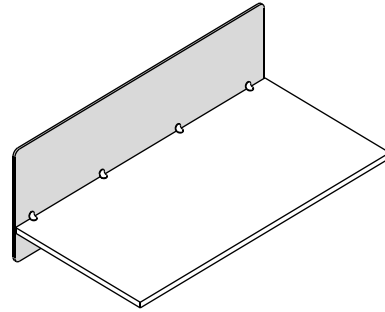
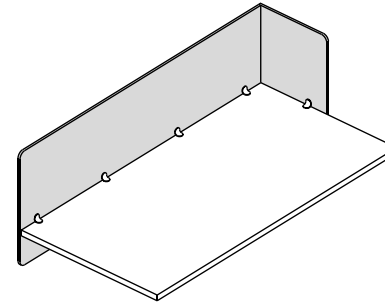




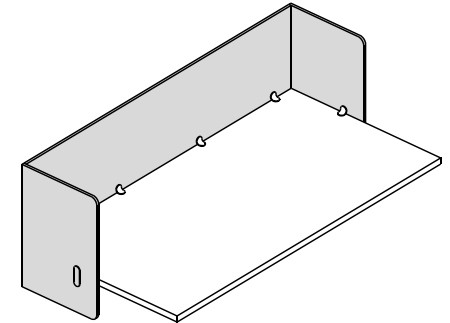
## Range overview



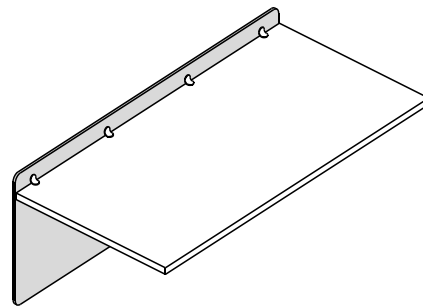
Hedge  
600 mm/1800 mm\*  
\*Above dimensions are recommended sizing



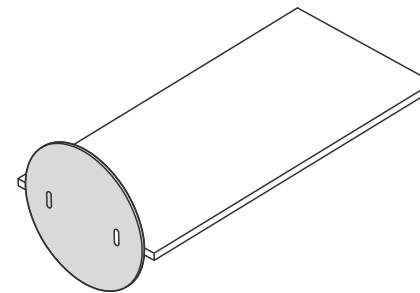
Haven  
1600 mm/1800 mm



Nook  
1600 mm/1800 mm



Modesty  
600 mm/1800 mm



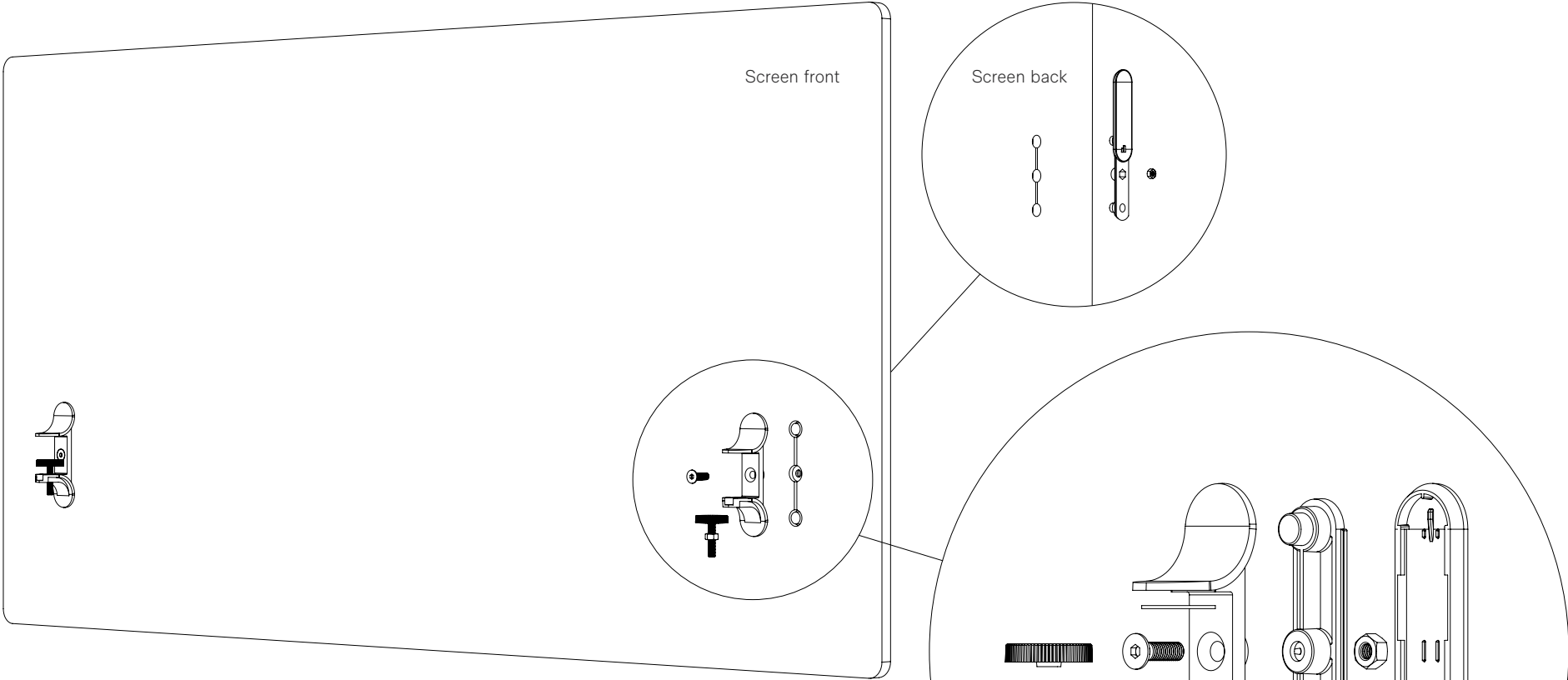
Sol  
600 mm



### Attach clamps to screen

Align the Vicinity Workstation Clamp with the holes in the Vicinity Workstation Screen and assemble the components as shown.

Note: The plugs may need to be removed from the holes.



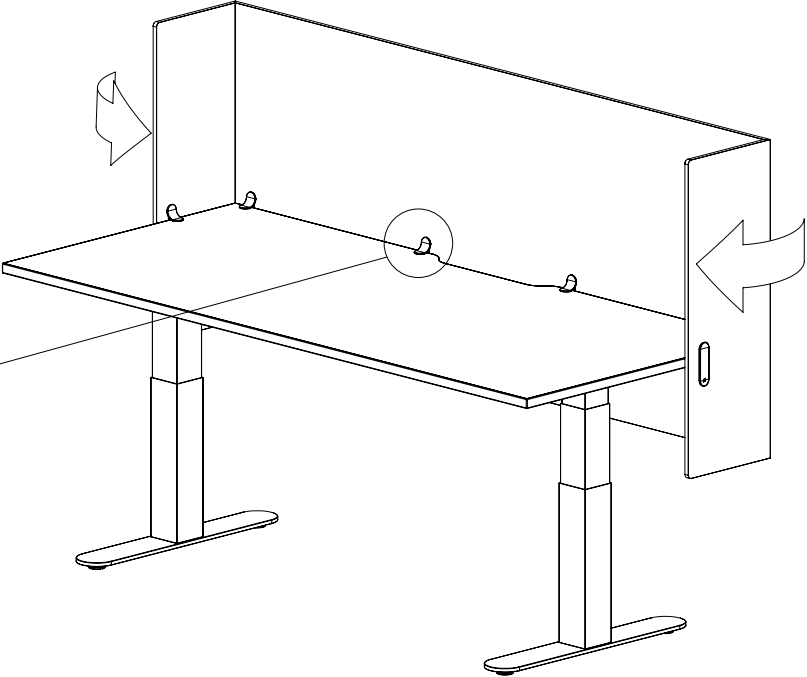
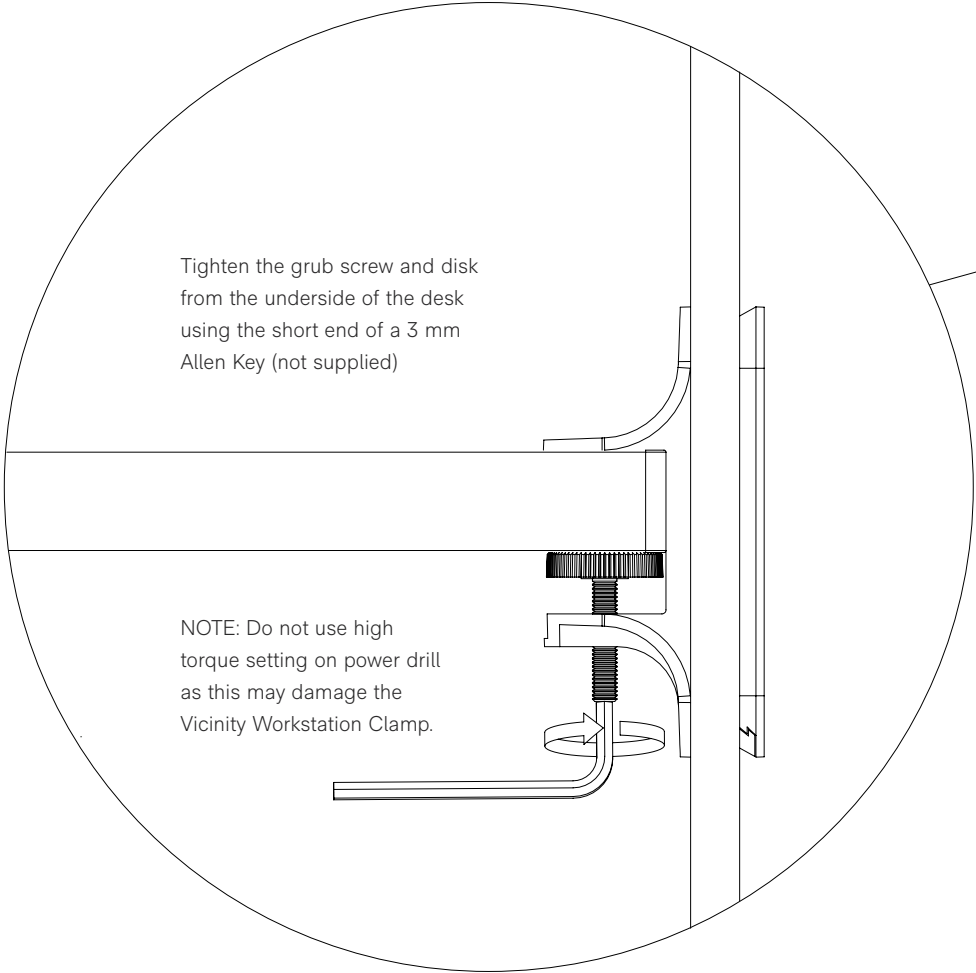
Tighten the counter-sunk screw in place using the long end of a 4 mm Allen Key (not supplied).

Repeat this step as required for the rest of the Vicinity Workstation Clamps.



### Attach screen to desk

Fold the Vicinity Workstation Screen around the corners of the desk and attach the Vicinity clamps as shown in the detail below.



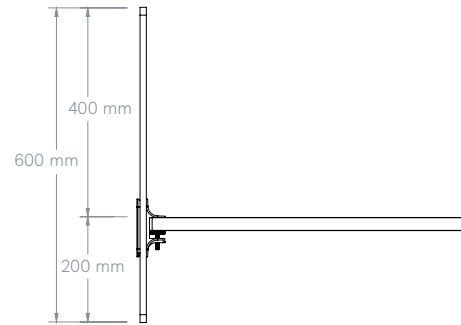
Repeat for the remaining Vicinity Workstation Clamps as required.

The Vicinity Workstation Screen is now secured to the desk.

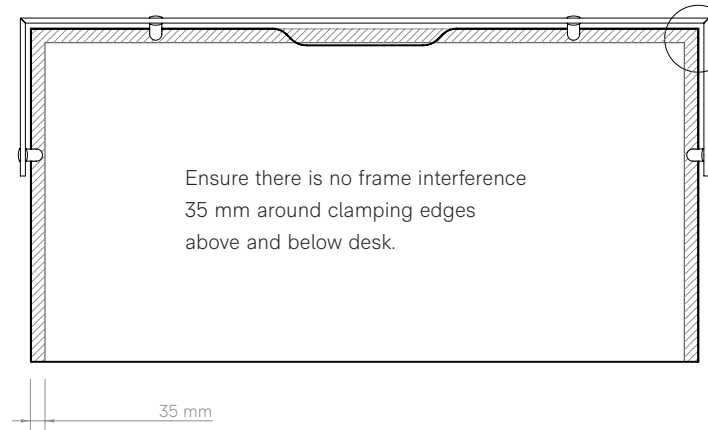


## Detail dimensions

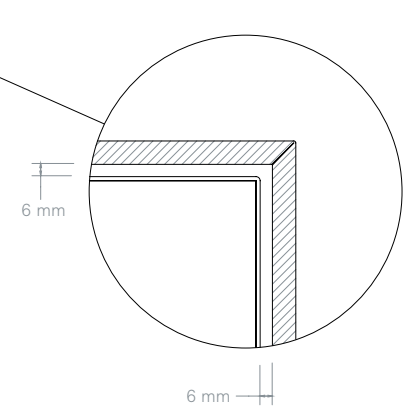
Recommended heights



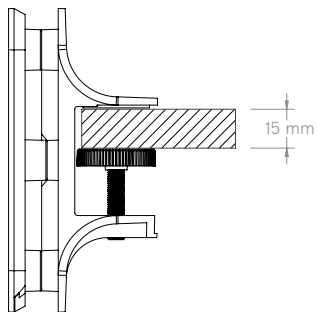
Edge clearance



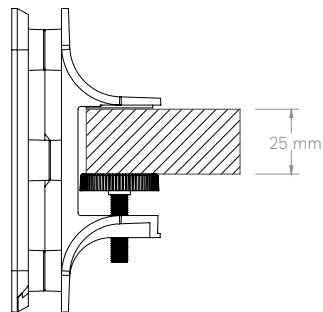
Edge offset



Minimum desk thickness



Nominal desk thickness



Maximum desk thickness  
(standard position)

