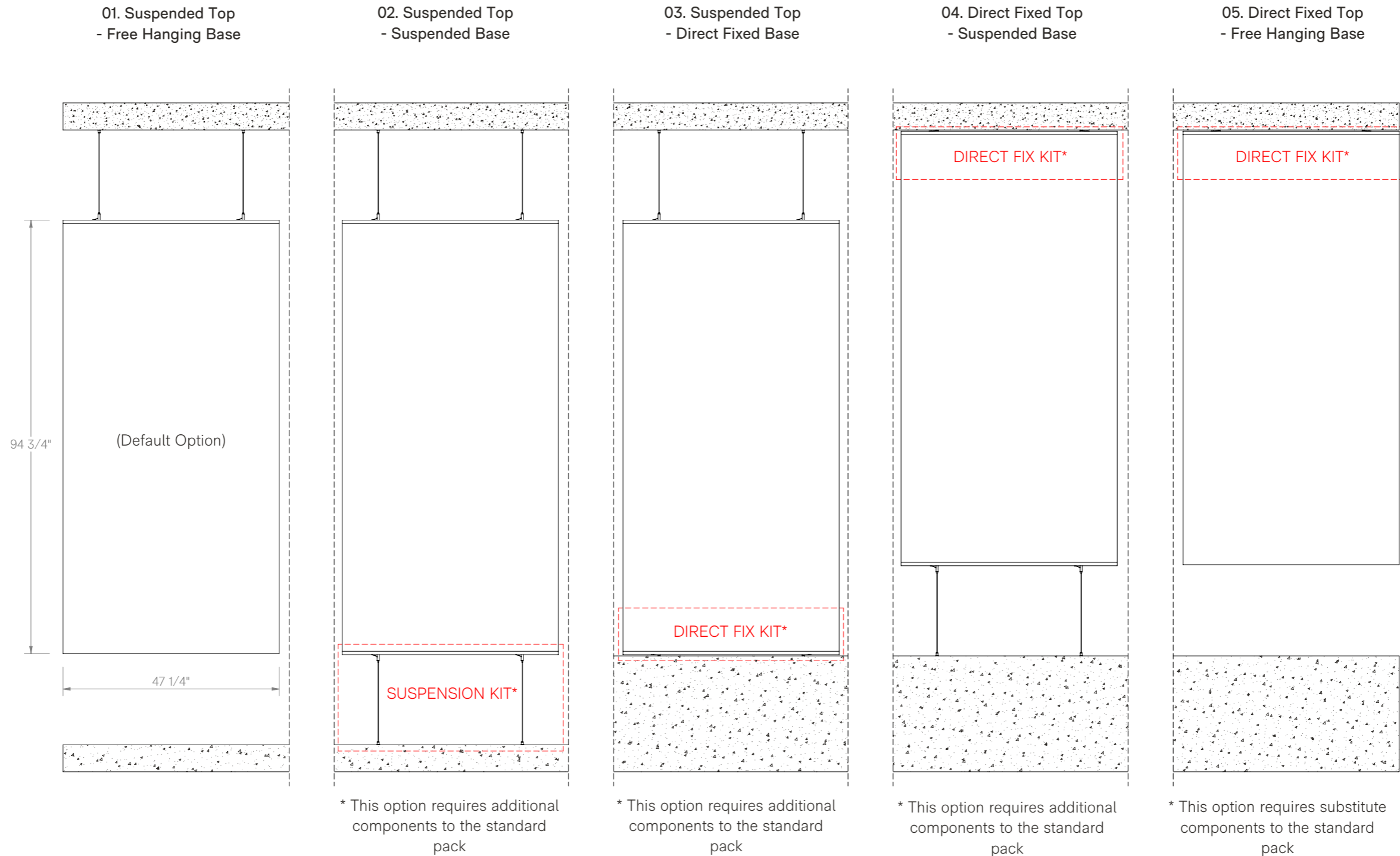
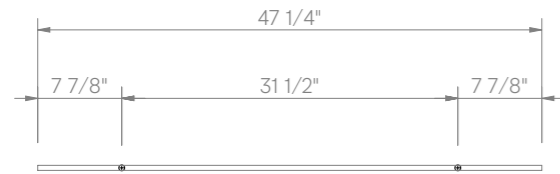


CASCADE HANGING OPTIONS



Before work commences, please ensure you take the time to plan out your Cascade install, plan out your fixing points and the spacings of the screens.

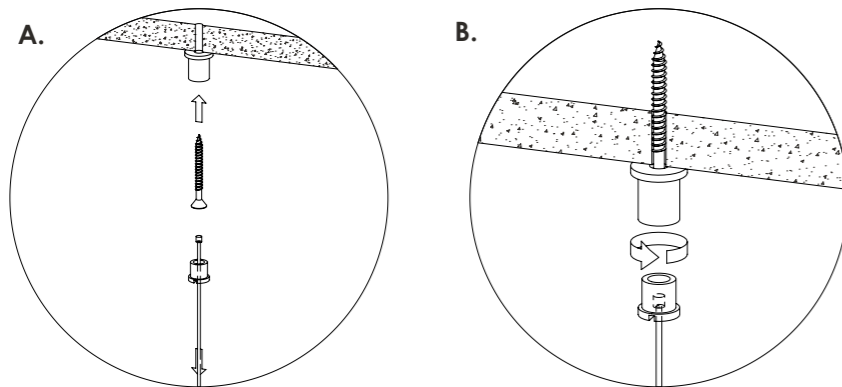
- 1.** Mark out fixing points as shown for each screen.



- 2.** A. Unscrew cap from the ceiling connector base and screw the base part to the ceiling as marked out in step 1. Thread the supplied cable through the cap so that the ball stop sits inside the cap.

B. Screw the cap back into the base.

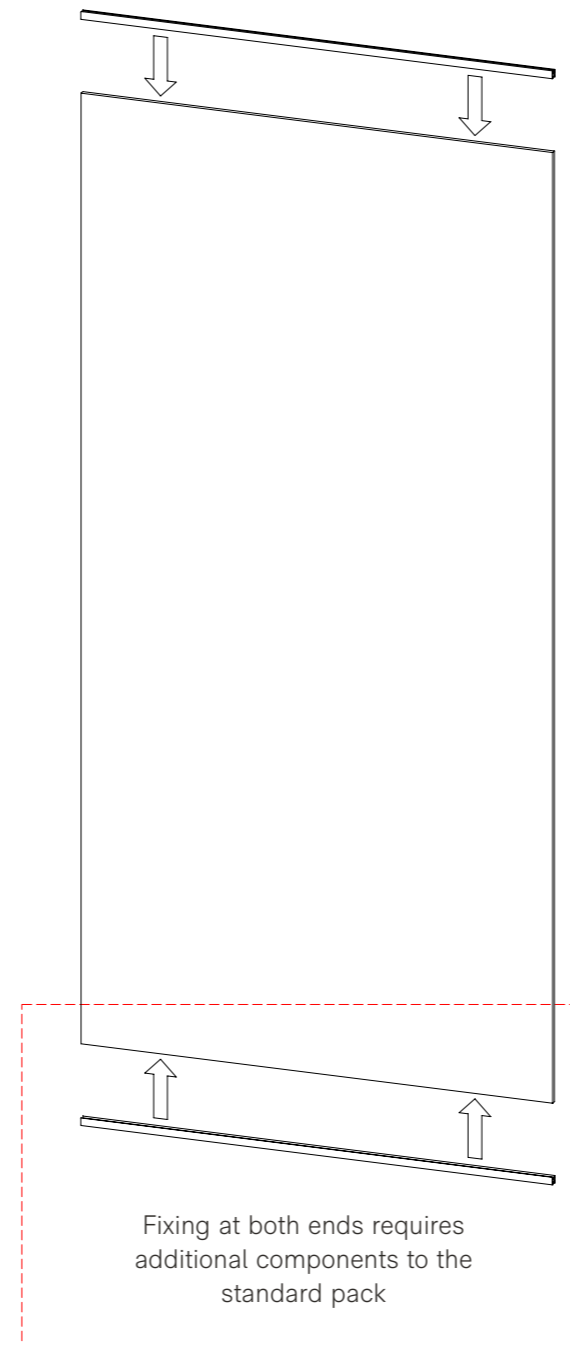
Repeat for the other suspension kit(s)



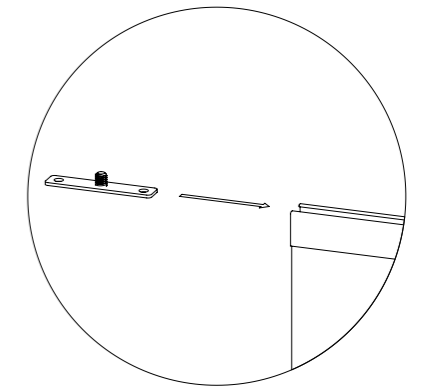
- 3.** Press extrusion firmly onto the top of the screen, ensuring it is seated fully.

For extra grip, gently squeeze the channel that is holding the screen along its length.

If screen is to be fixed at the base, repeat as per the top with additional direct fix or suspension kit.

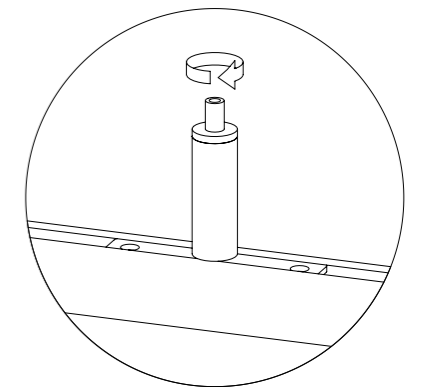


- 4.** Slide connector plate into the top of the channel at both ends.



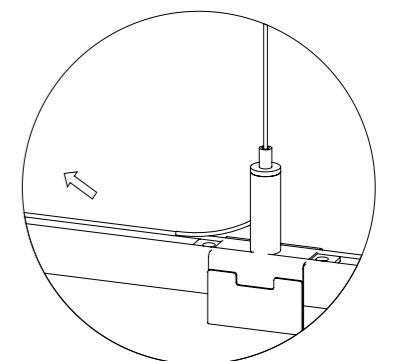
- 5.** With the connector plate in the position indicated in step 1, screw the adjustment barrel into the threaded boss.

Hand tighten to lock in position.



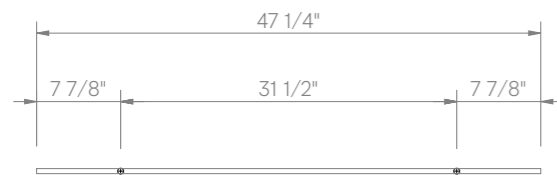
- 6.** Lift screen up and thread the loose end of the wire through each adjustment barrel as shown.

Pull on the loose end to tighten or press down on top of the barrel to loosen.

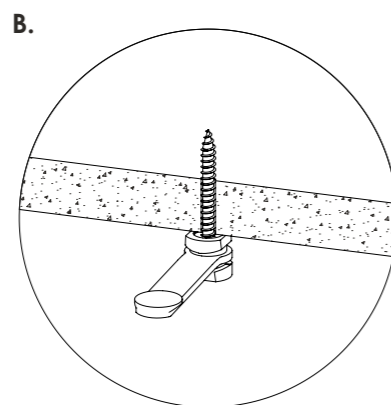
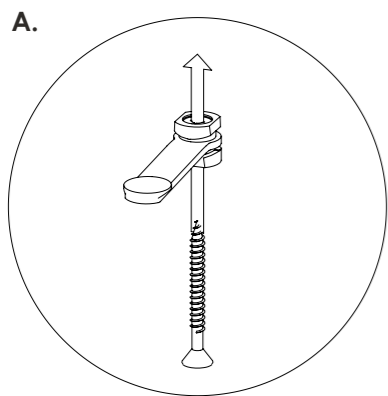


Before work commences, please ensure you take the time to plan out your Cascade install, plan out your fixing points and the spacings of the screens.

- 1.** Mark out fixing points as shown for each screen.



- 2.** A. Preset suitable 6-8g screw (not supplied) into Autex Mounting Clips x2 (RAFTCC)
B. Screw into ceiling at marked fixing points



- 3.** Press extrusion firmly onto the top of the screen, ensuring it is seated fully.

For extra grip, gently squeeze the channel that is holding the screen along its length.

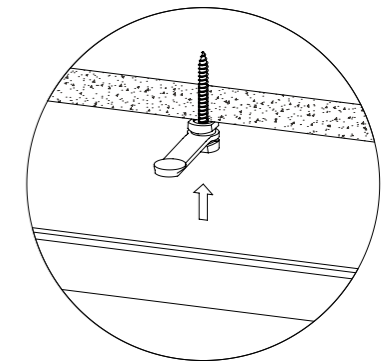
If the screen is to be fixed at the base, repeat as per the top with additional direct fix or suspension kit.



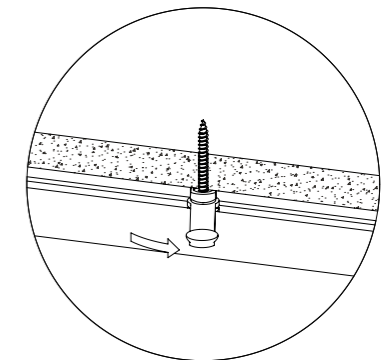
Fixing at both ends requires additional components to the standard pack

- 4.** Offer up the screen to the installed Autex mounting clips.

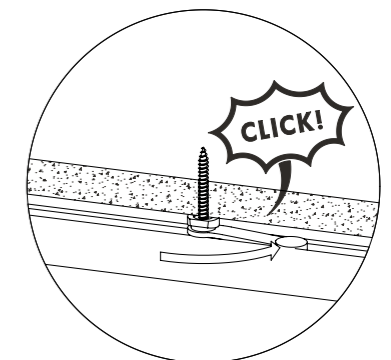
Make sure they are perpendicular to the screen and press channel onto the clips.



- 5.** Twisting the mounting clip handle slightly will hold the screen in place while allowing fine adjustment of the screen left or right.



- 6.** Twist the mounting clip until the handle clicks into the channel to lock the screen in position.



EXPLODED VIEW

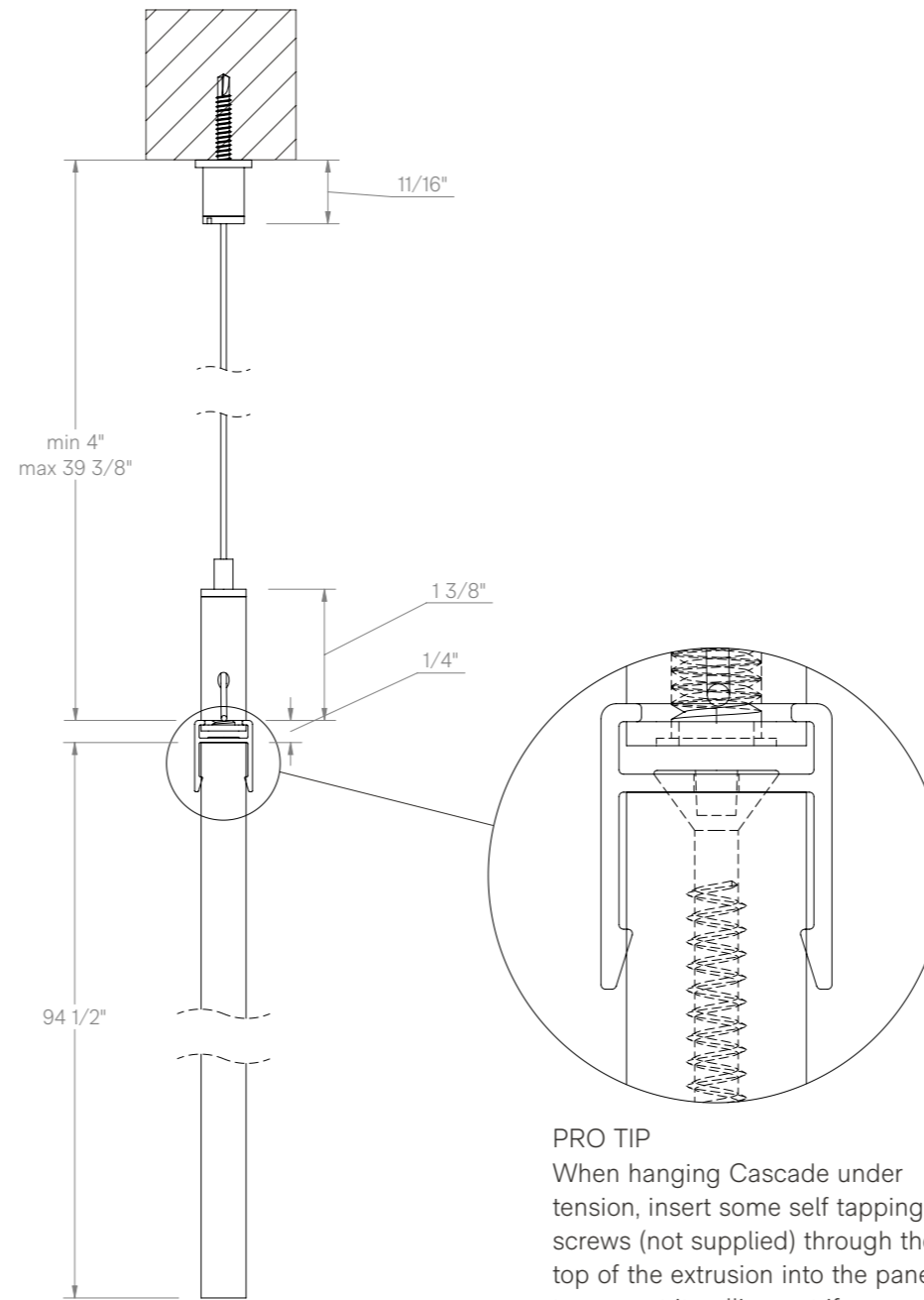
RAHVAS
Autex Adjustable
Suspension Set 39 3/8"
cable

RAFNEPC1212
Autex 1/2" Extrusion 47
1/4" length.
Powder Coated Finish -
Matt Charcoal

CASCADE PANEL
Static/Folding/
Expanding options
available. See Pages 10-12
for more detail



CROSS SECTION



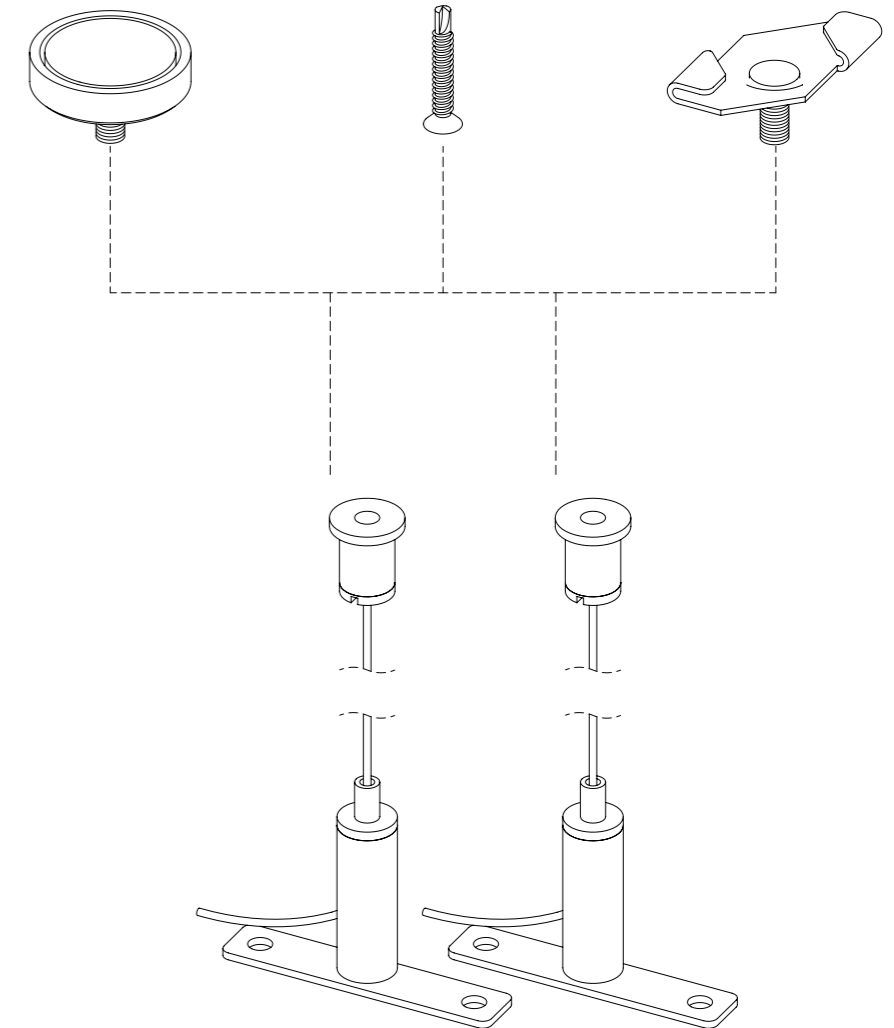
PRO TIP
When hanging Cascade under tension, insert some self tapping screws (not supplied) through the top of the extrusion into the panel to prevent it pulling out if over tightened.

SUSPENSION OPTIONS

RAFM6MP
Magnet Pot with M6
Thread
(Optional)

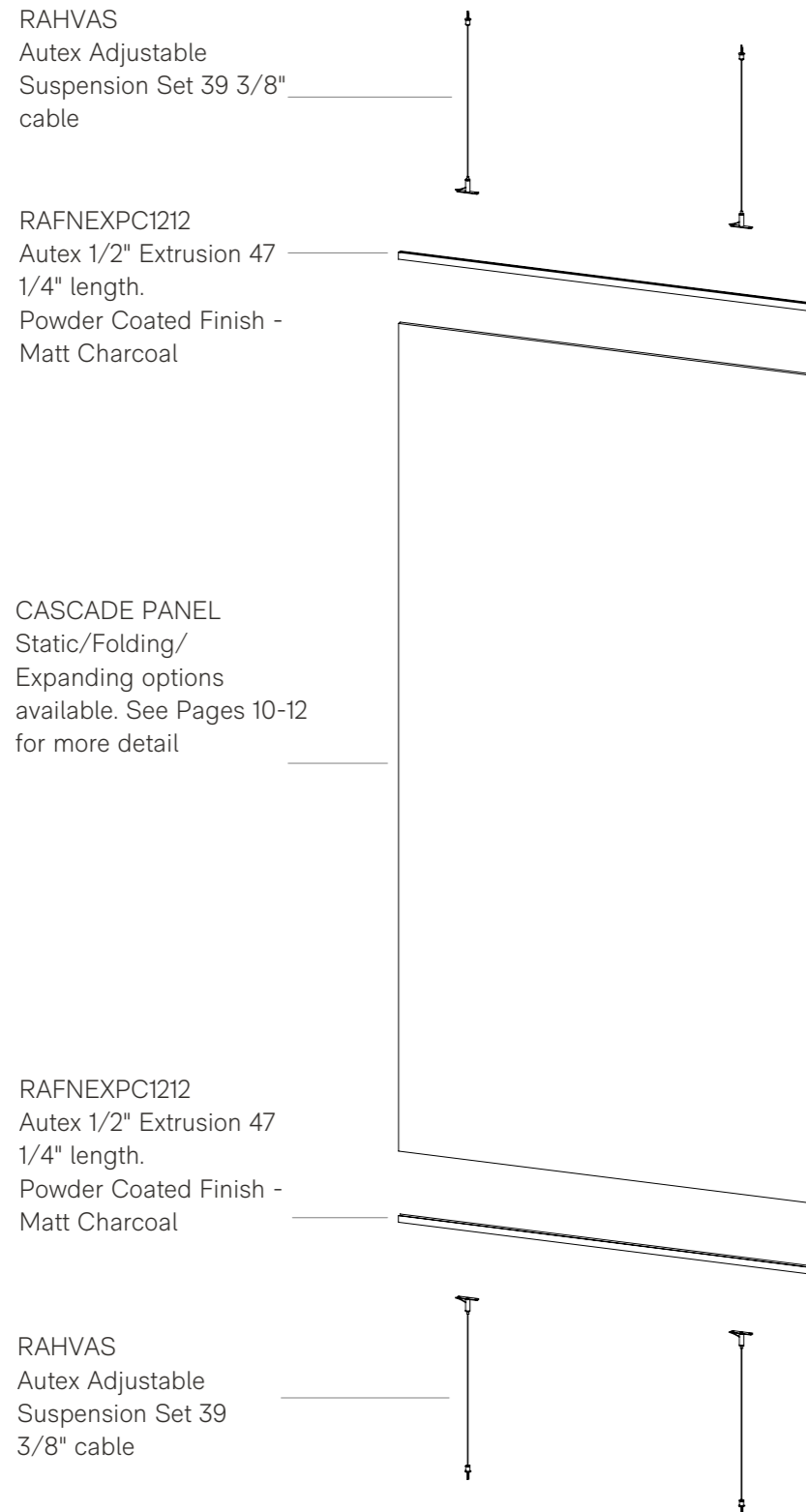
Screw suitable for
substrate
(Not Supplied - By
Others)

RAFM6GC
1" Ceiling Grid
Connector with M6
Thread
(Optional)

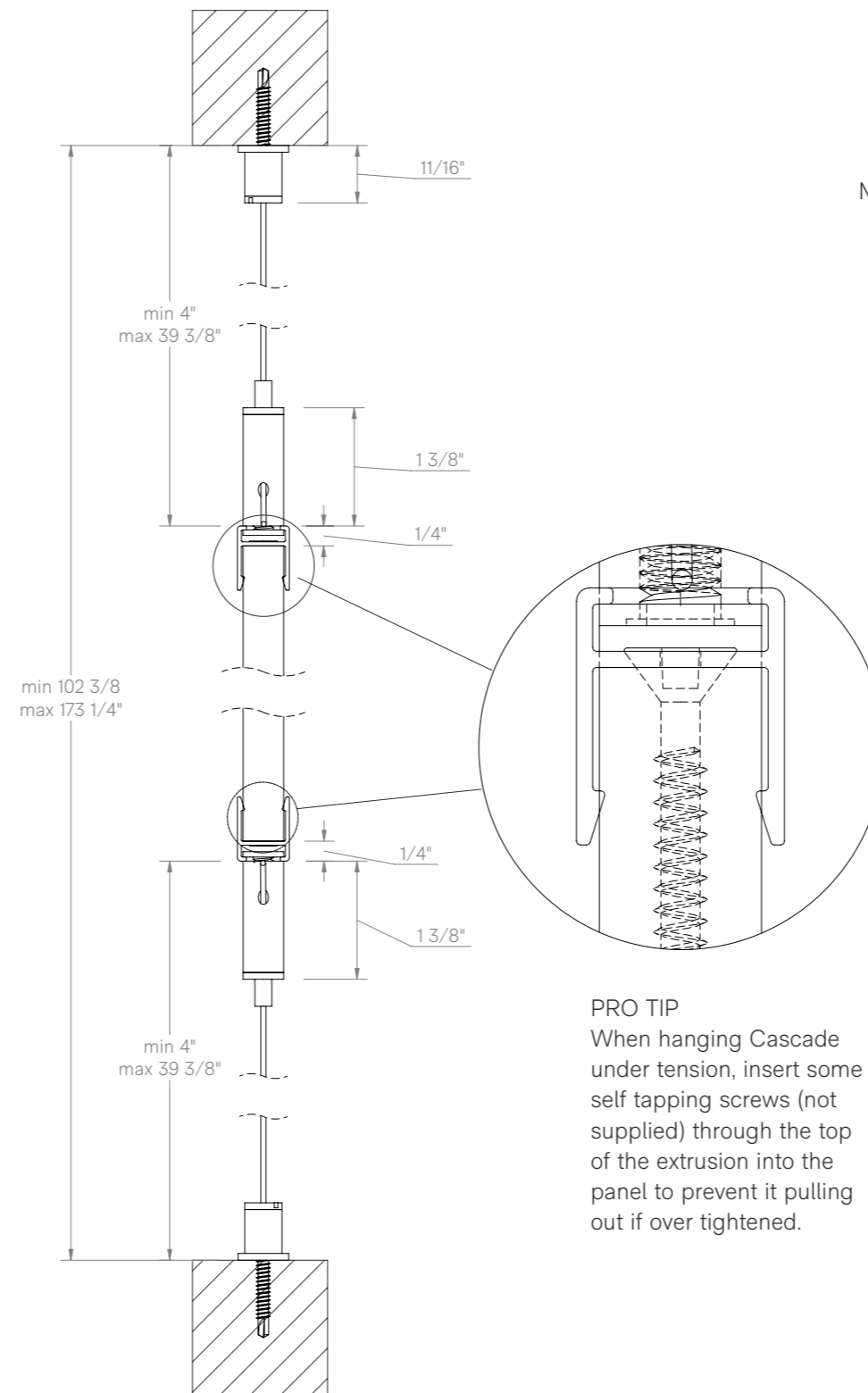


RAHVAS
Autex Adjustable
Suspension Set 39 3/8"
Channel Connection

EXPLODED VIEW



CROSS SECTION

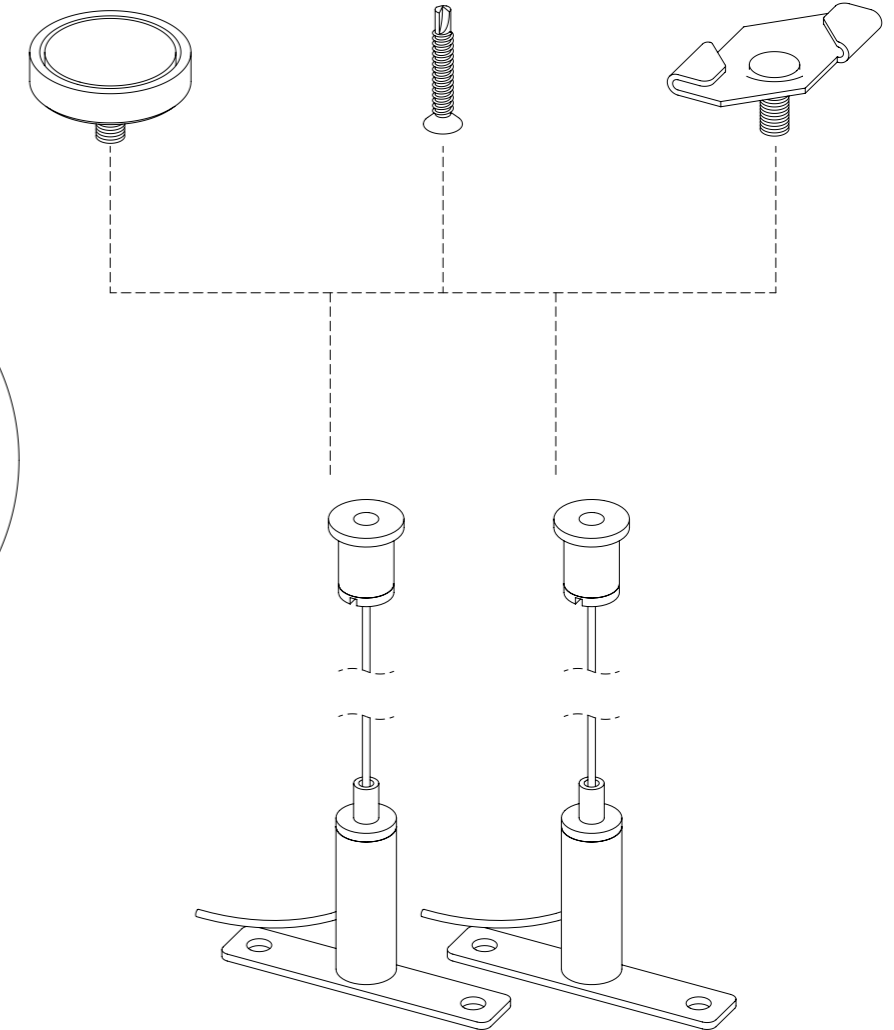


SUSPENSION OPTIONS

RAF6MP
Magnet Pot with M6
Thread
(Optional)

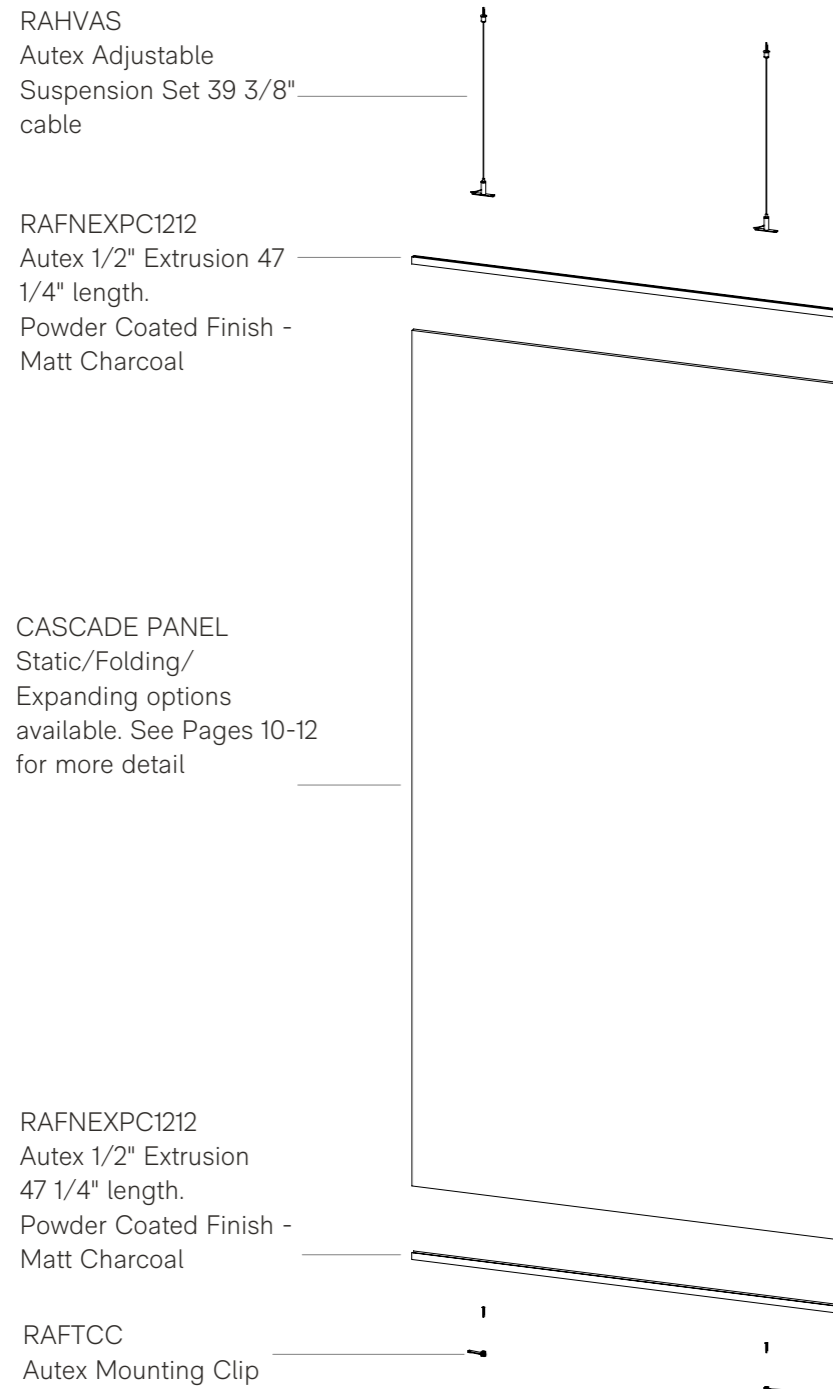
Screw suitable for
substrate
(Not Supplied - By
Others)

RAF6GC
1" Ceiling Grid
Connector with M6
Thread
(Optional)

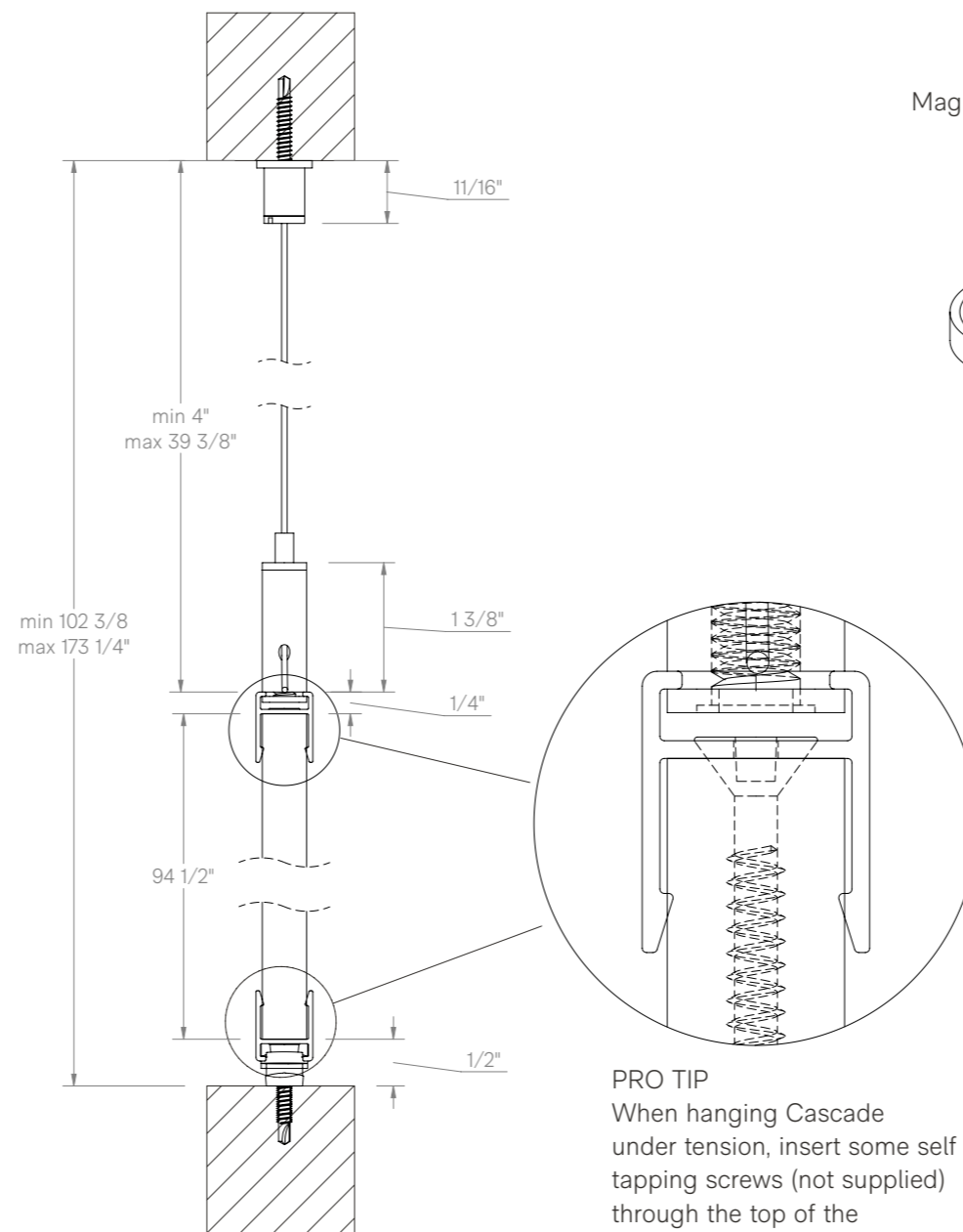


RAHVAS
Autex Adjustable
Suspension Set 39 3/8"
cable
Channel Connection

EXPLODED VIEW



CROSS SECTION



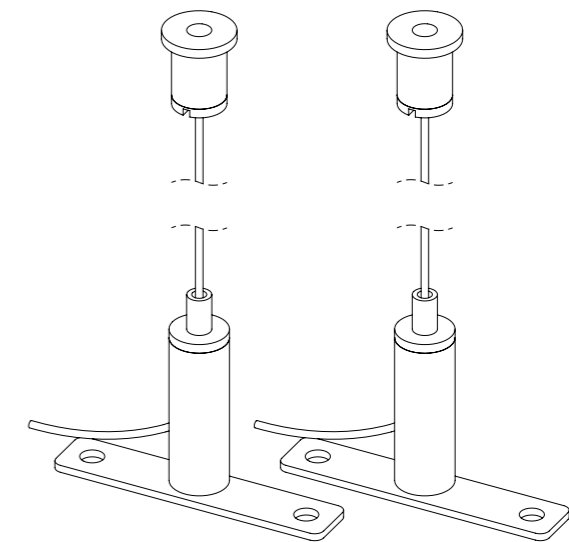
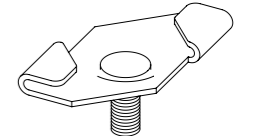
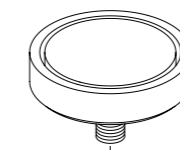
PRO TIP
When hanging Cascade
under tension, insert some self
tapping screws (not supplied)
through the top of the
extrusion into the panel to
prevent it pulling out if over
tightened.

SUSPENSION OPTIONS

RAF6MP
Magnet Pot with M6
Thread
(Optional)

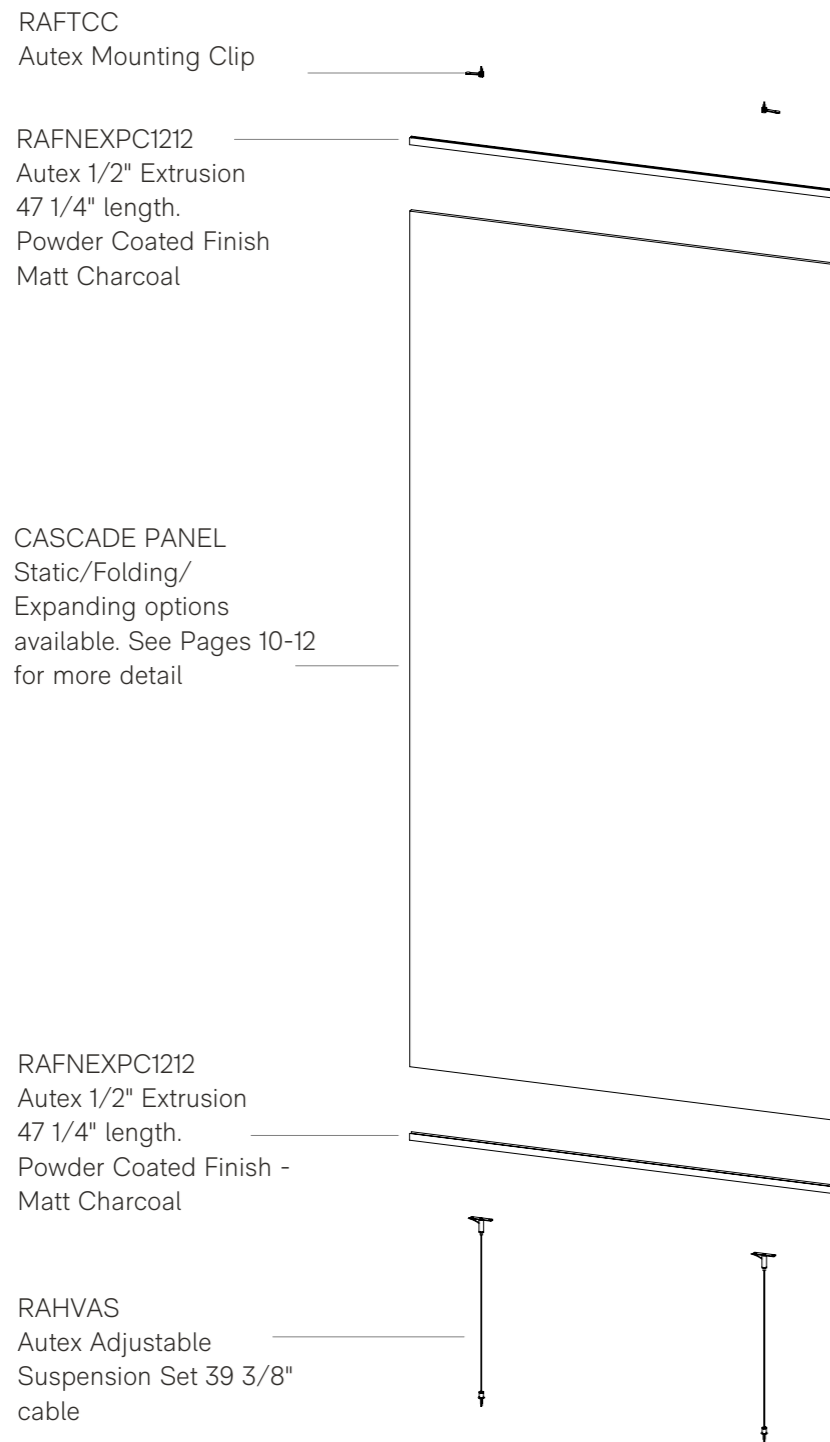
Screw suitable for
substrate
(Not Supplied - By
Others)

RAF6GC
1" Ceiling Grid
Connector with M6
Thread
(Optional)

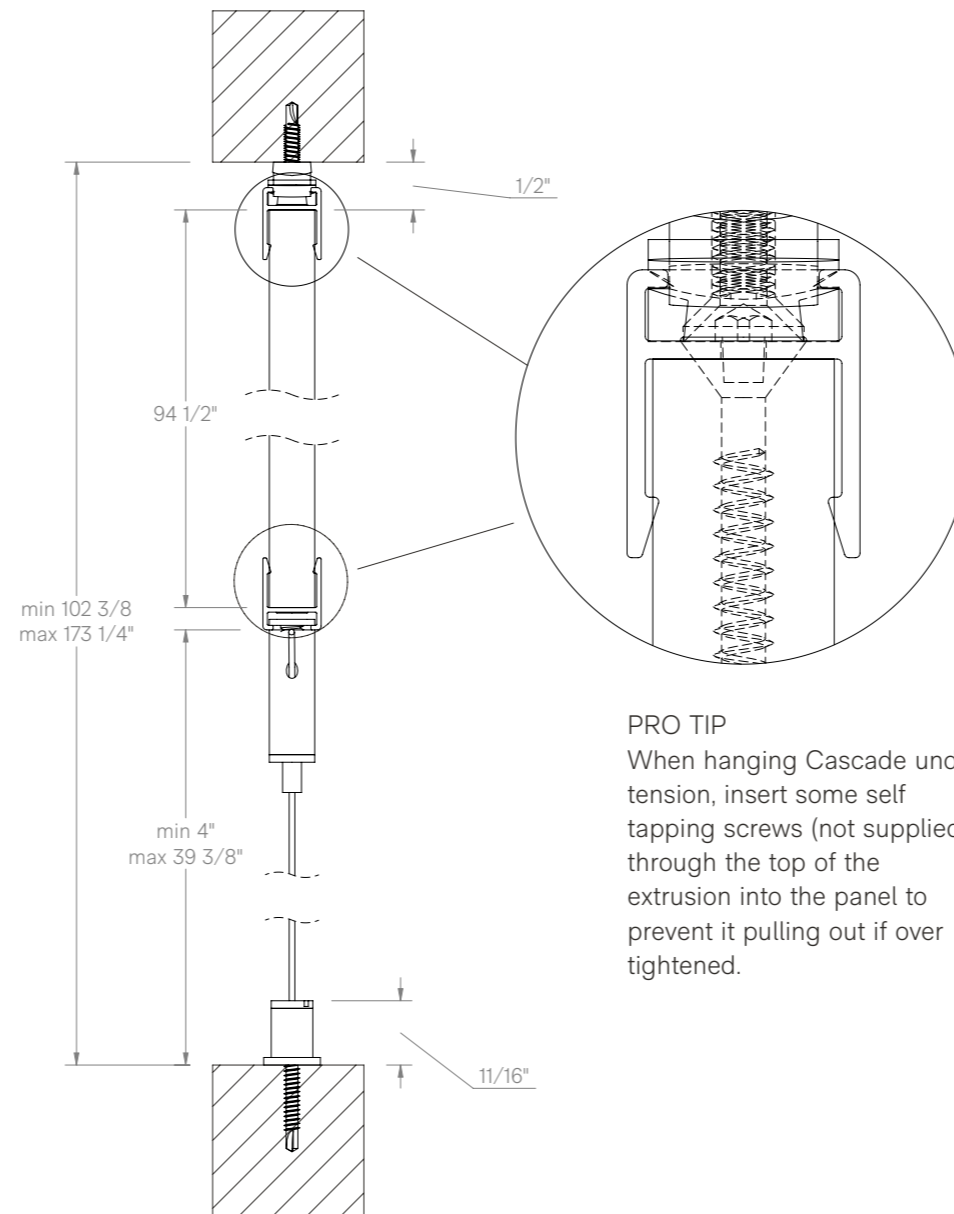


RAHVAS
Autex Adjustable
Suspension Set 39 3/8"
cable
Channel Connection

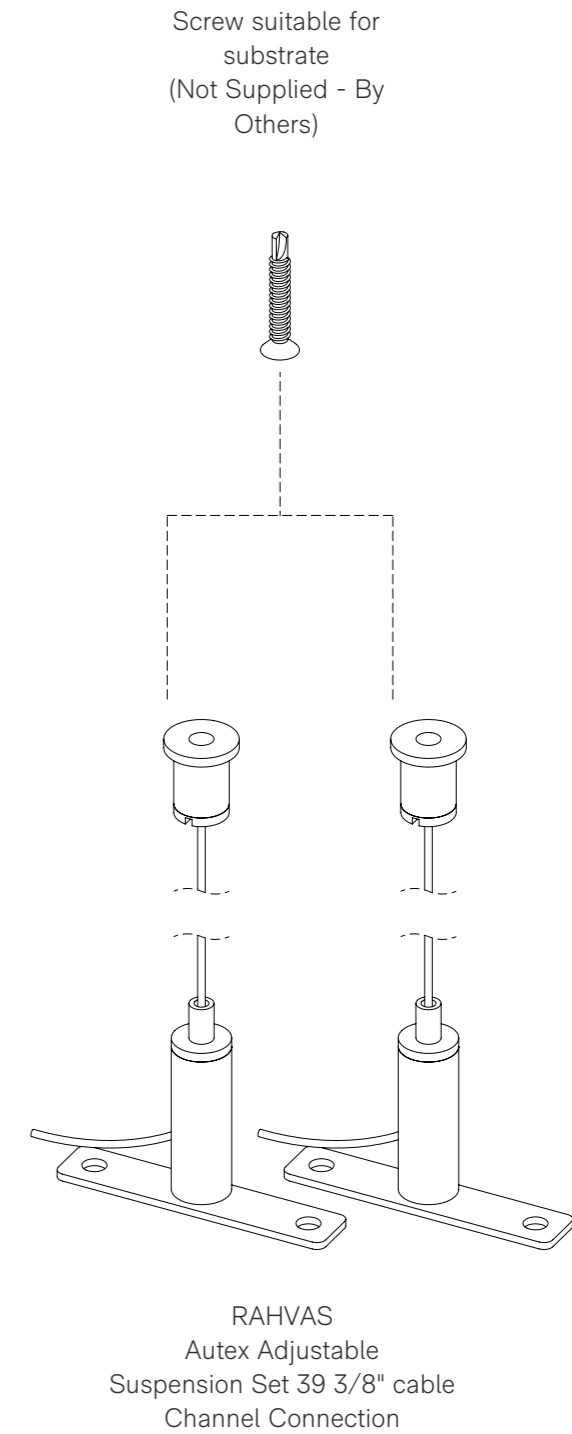
EXPLODED VIEW



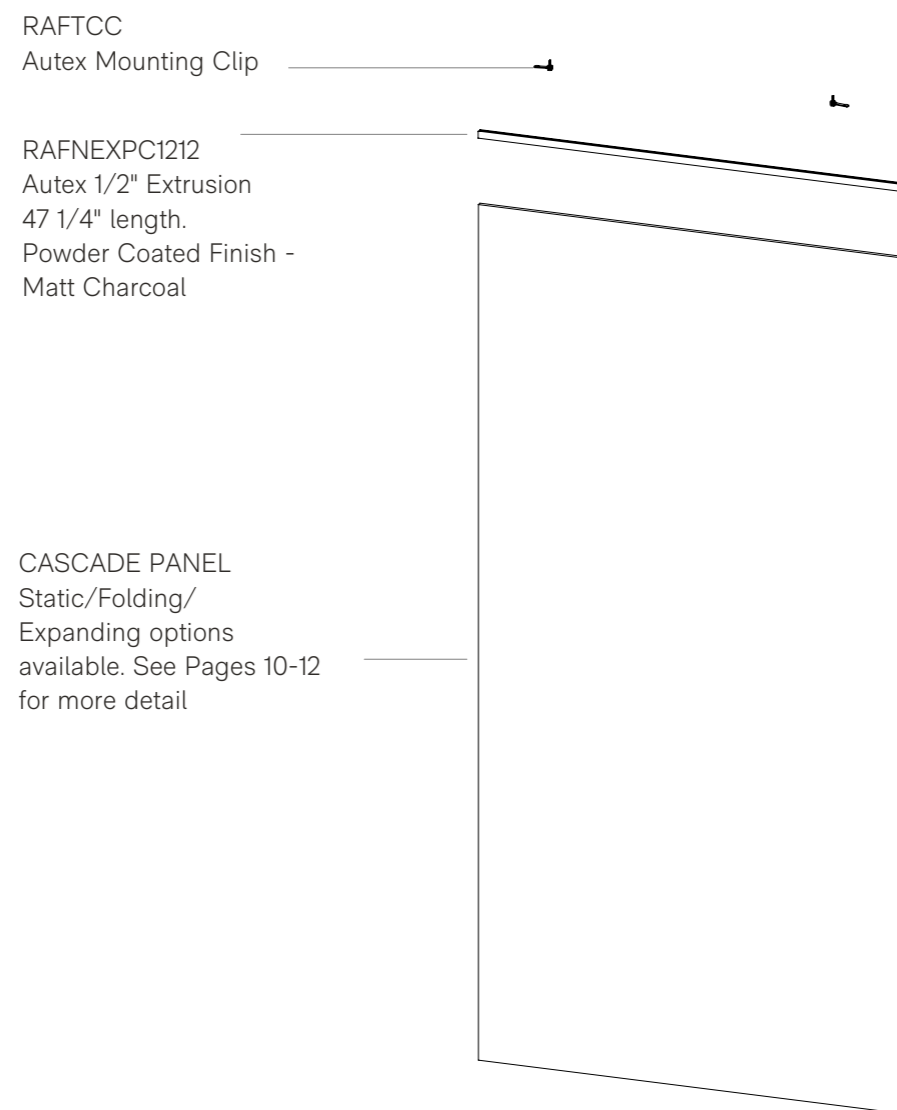
CROSS SECTION



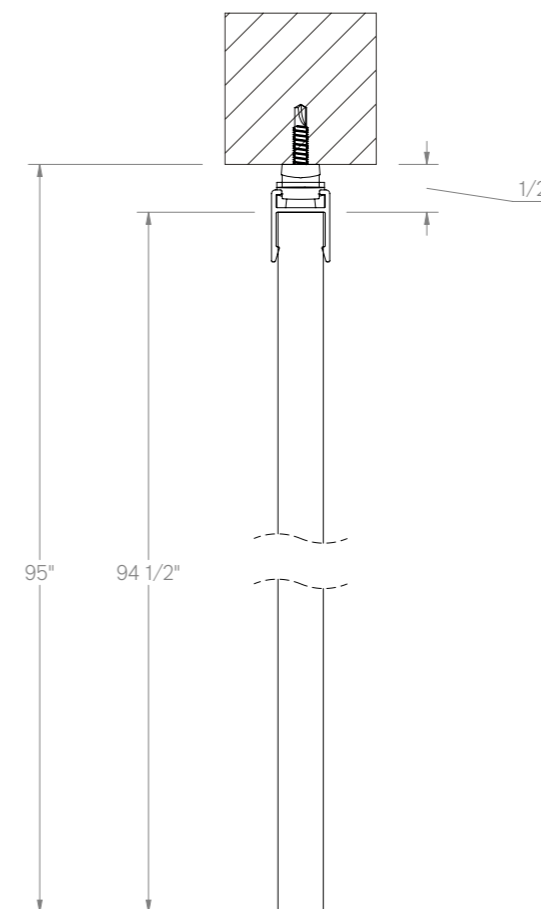
**SUSPENSION OPTIONS
(for bottom edge)**

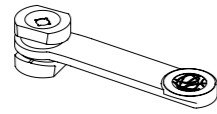


EXPLODED VIEW

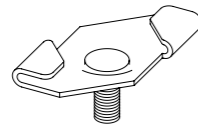


CROSS SECTION



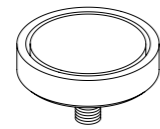


RAFTCC
Autex Mounting Clip

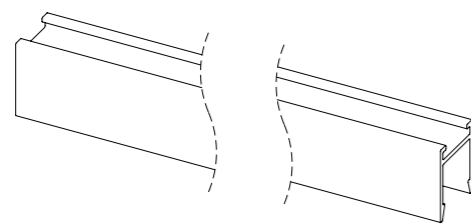


RAFM6GC
1" Ceiling Grid Connector with 1/4" Thread.

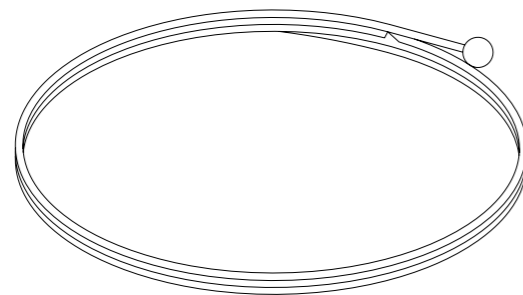
(NOTE: Grid may require re-
inforcement to carry weight of
screen.)



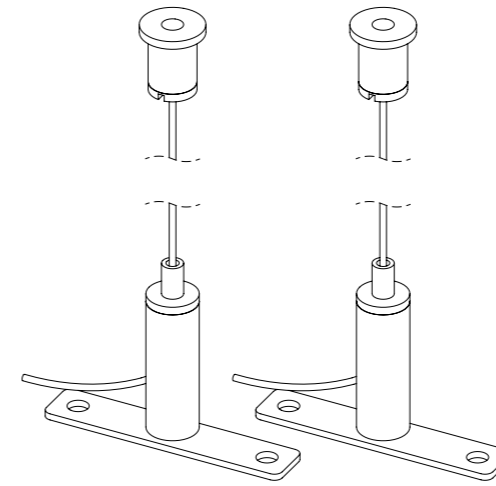
RAFM6MP
Magnet Pot with M6 Thread and Cable
Adaptor.



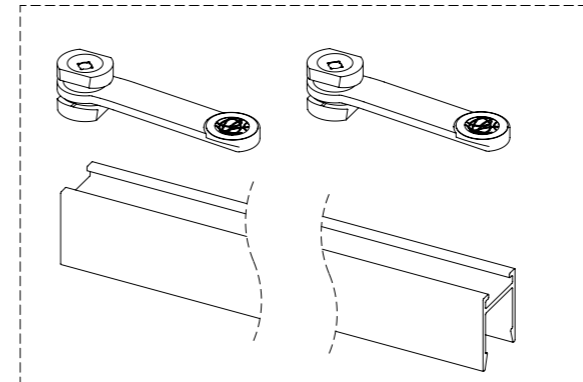
RAFNEXPC1212
Autex 1/2" Extrusion 47 1/4" length.
Powder Coated Finish - Matt
Charcoal



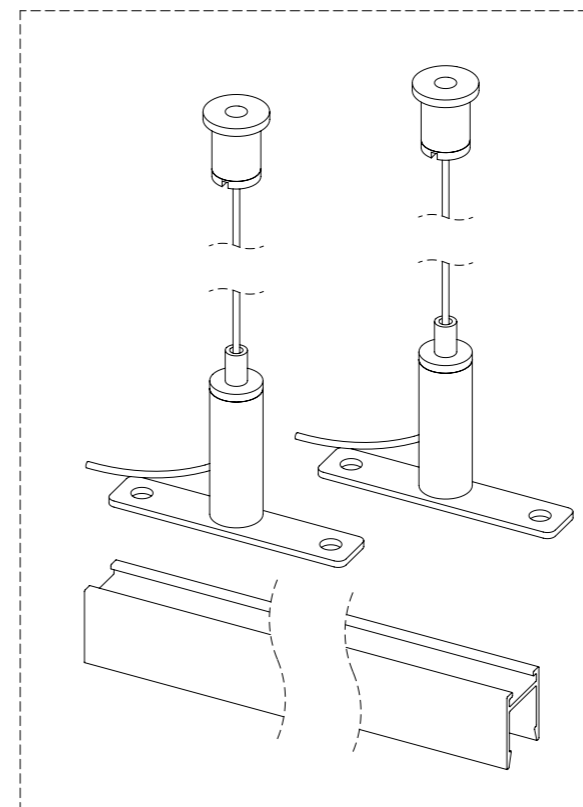
RAH3MBE
118 1/8" Steel Cable
with Ball End



RAHVAS
Autex Adjustable
Suspension Set 39 3/8" cable -
Channel Connection



DIRECT FIX KIT
2x RAFTCC
1x RAFNEXPC1212



SUSPENSION KIT
2x RAHVAS
1x RAFNEXPC1212