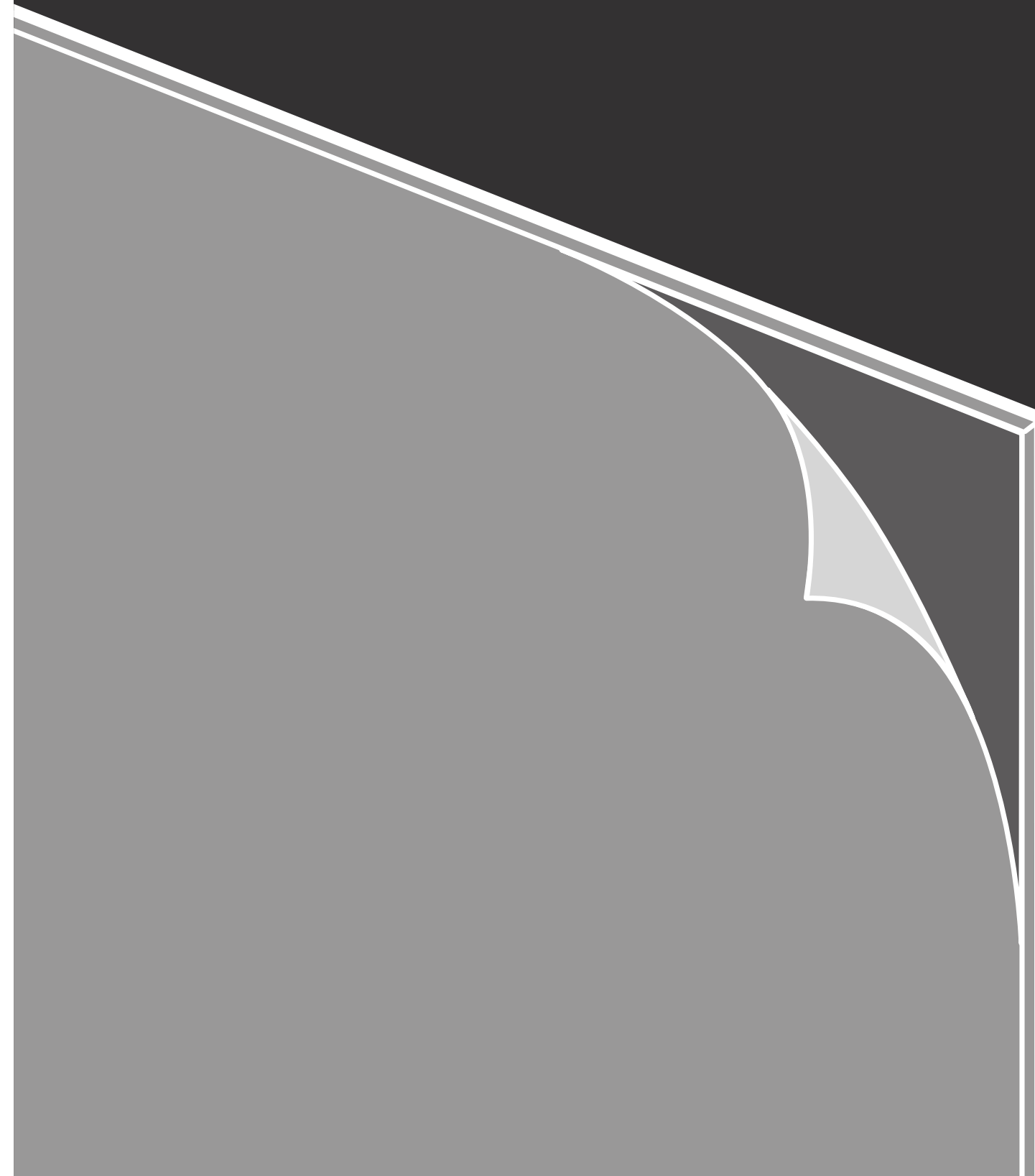




Installation Guide

These installation instructions are of a general nature and are designed to assist suitably experienced tradespeople to install Autex Acoustics® Wall Tiles to a high standard in common applications.

For installation support, please contact your Autex Acoustics account manager before you start.



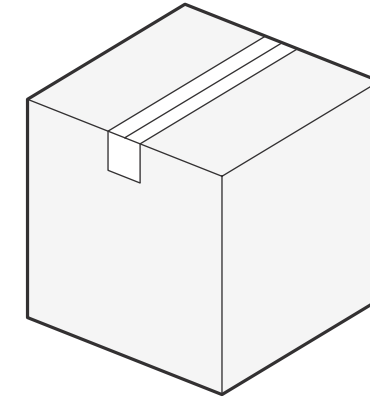
Wall Tiles



Install Process Overview

1. Product Overview

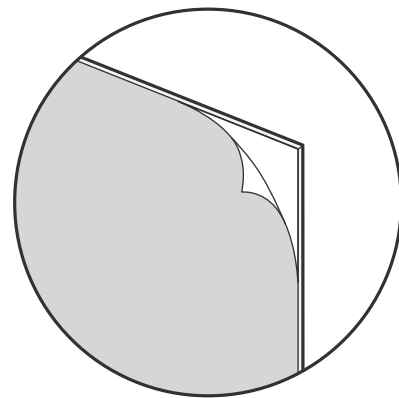
What should I expect to arrive on site?



[Page 3](#)

2. Standard Install

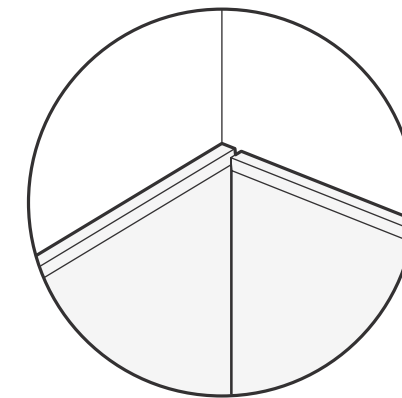
What is the common install process?



[Page 4](#)

3. Complex Install

How do I manage complex details like corners and cuts?



[Page 5](#)



Product Overview

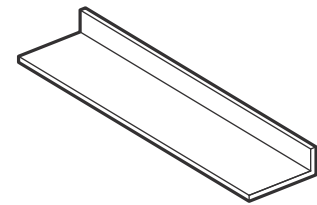
Wall Tiles

Tile Size 600mm x 600mm
Thickness 12mm and 24mm
Coverage 8 tiles per pack

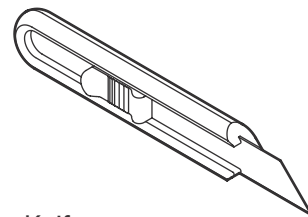
Connection

Peel-and-Stick All tiles come with pre-applied Peel-and-stick adhesive backing as standard

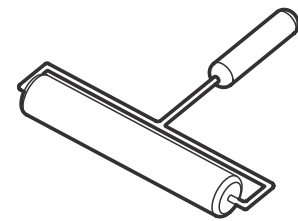
Tools Required for Installation



Straight Edge

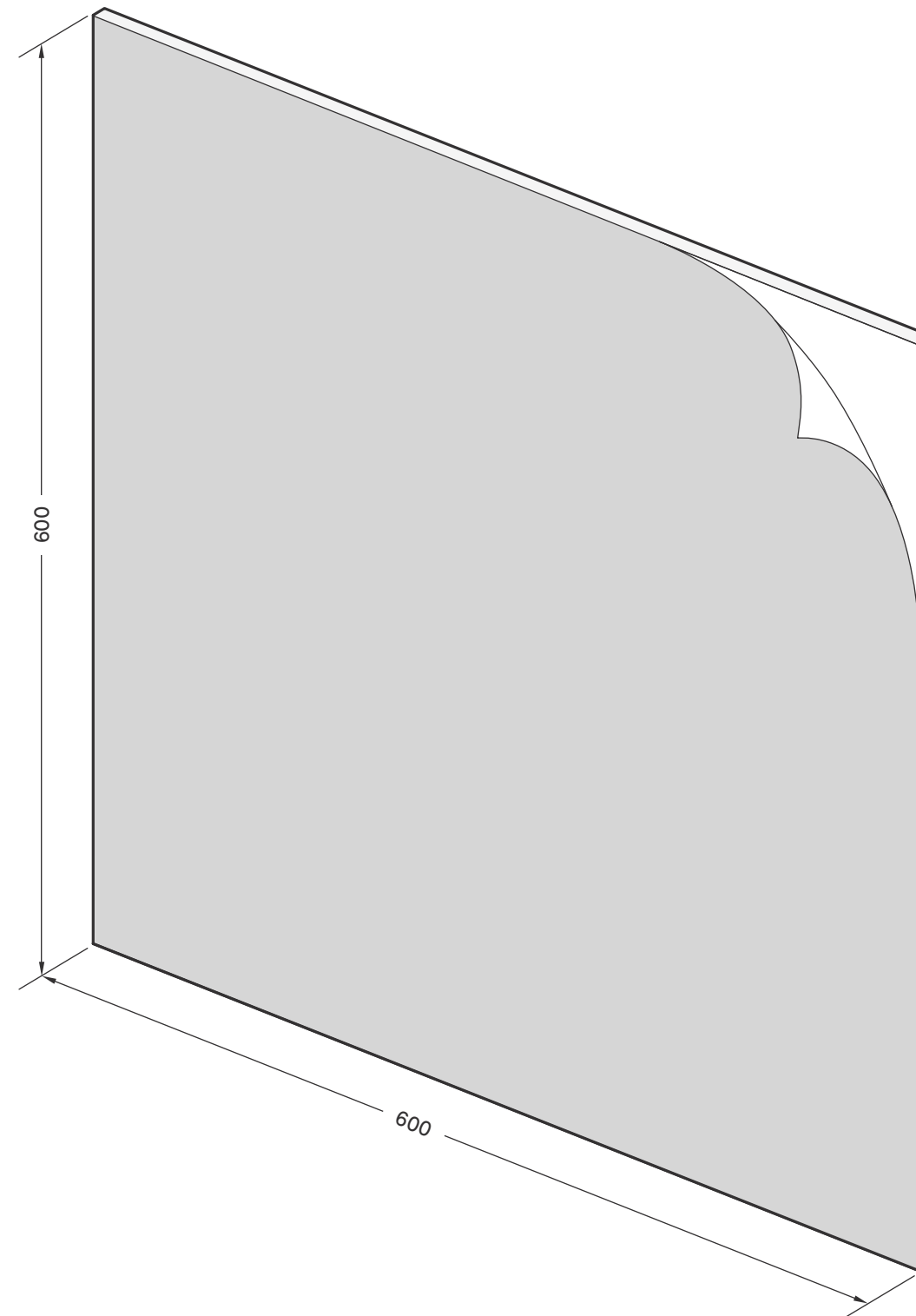


Knife

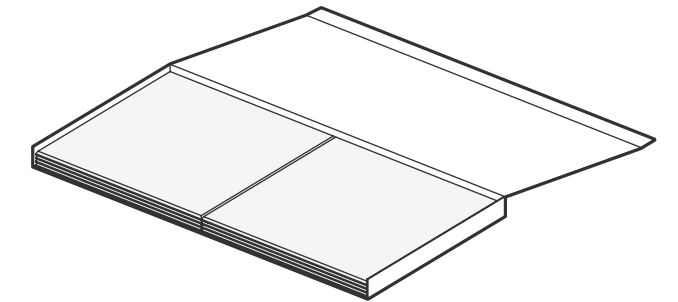


Roller

Rear Side Shown



Box of 8 Tiles

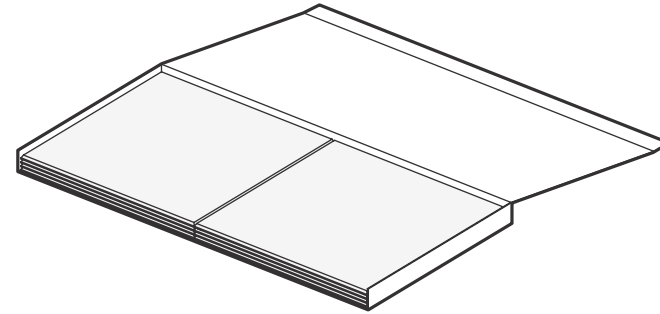




Standard Install

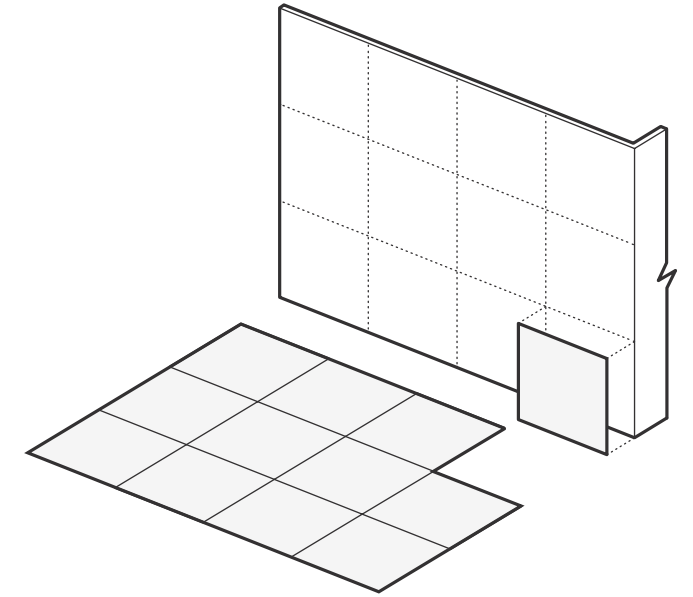
1. Materials and Surface

- Before installing wall tiles, remove the packaging and allow the tiles to acclimatise to room temperature and humidity for approximately 1 - 2 hours
- Minimum installation temperature is 18°C and maximum relative humidity 75%
- Prior to installation, ensure all surfaces are flat, dry, sound and free from dust or other contaminants. Wall finish to a minimum level 4
- Installation over uneven surfaces will result in less than complete adhesion to the wall substrate, creating potential for air pockets to form behind the tile



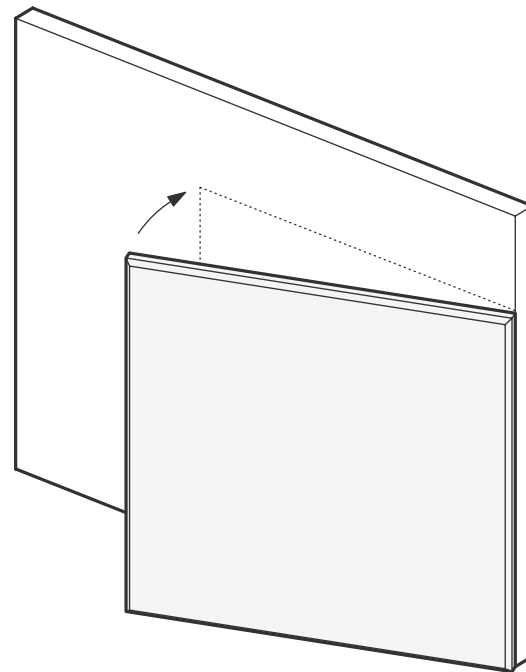
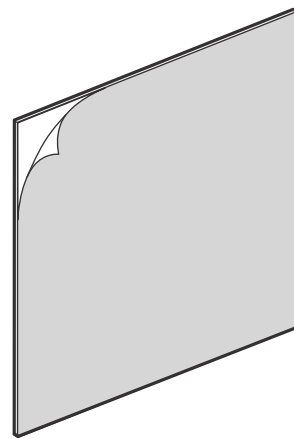
2. Dry Fit Tiles

- Measure and mark out on the wall the area to be covered with tiles. We recommend laying the tiles out on the floor to check the pattern first
- Dry fit the tile to check the placement and orientation



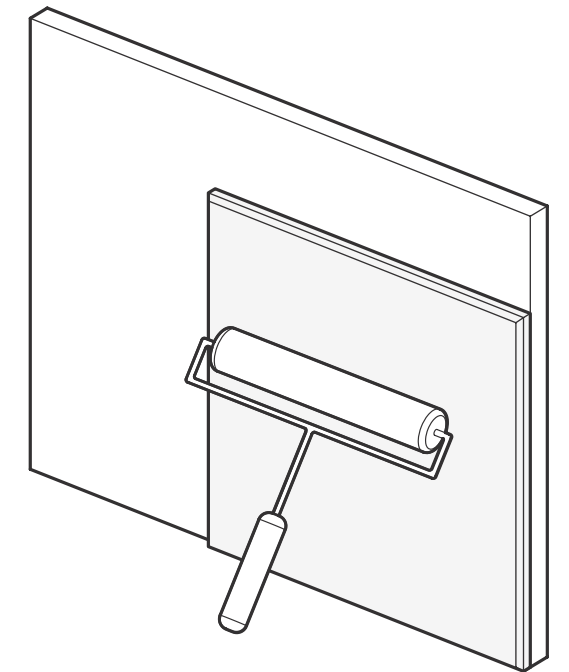
3. Apply to Wall

- Remove adhesive backing from tile
- Hold the tile at an angle to the wall; apply one edge and then place the tile onto the wall



4. Complete Install

- Roll evenly and firmly with the roller to ensure good adhesion
- Subsequent tiles should be laid up against the previous tile, holding the tile at an angle to the wall and then placing down
- Re-roll all tiles after installation. Check for full adhesion across surface

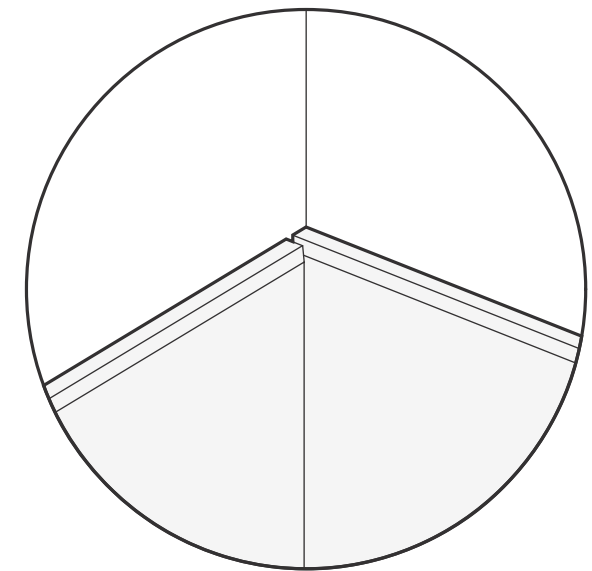
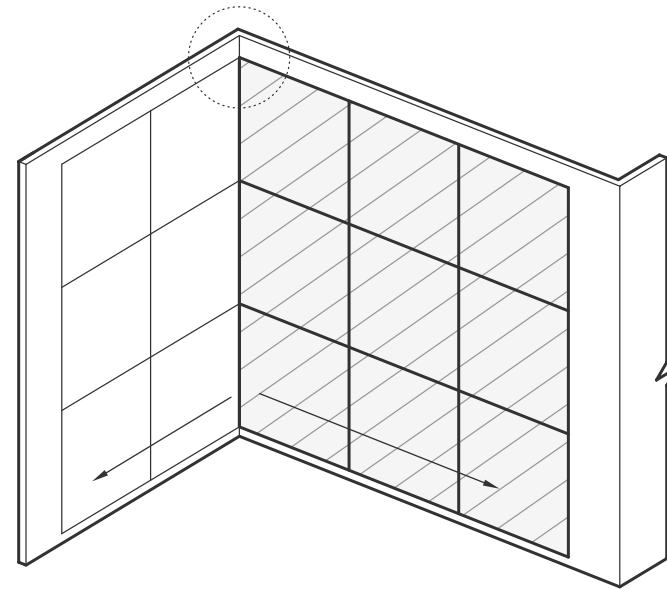




Complex Install - Internal Corner

No Trimming Required

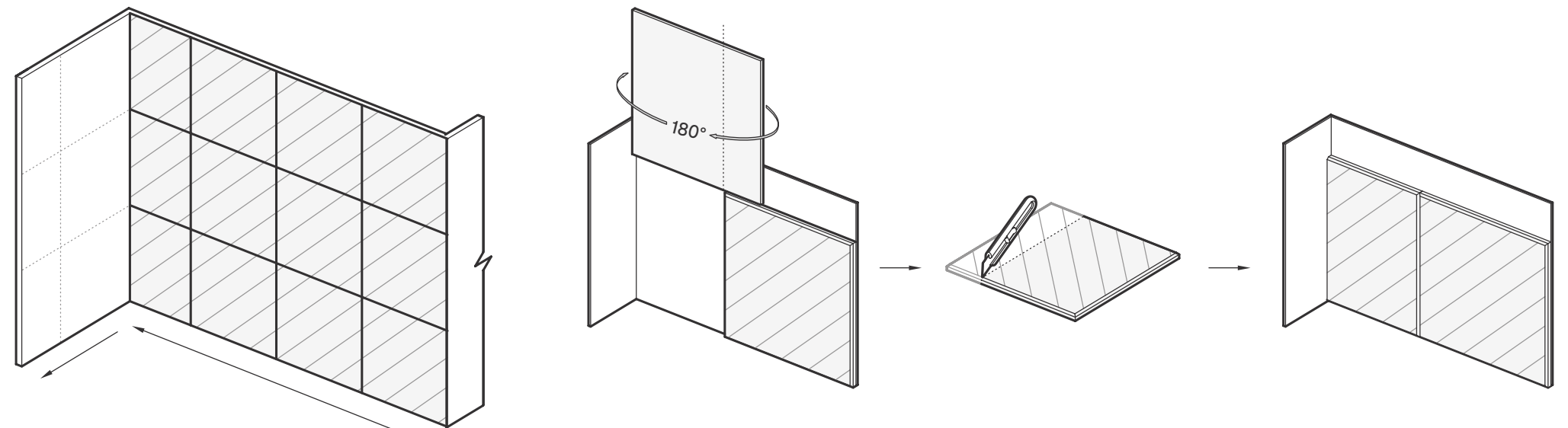
- If your layout requires tiles to finish into an internal corner and does not require trimming across the wall, begin tile installation from the internal corner edge
- Once tiles have been installed on the first wall, use a lap join to start installing tiles from the internal corner on the second wall



Lap Join Detail

Trimming Required

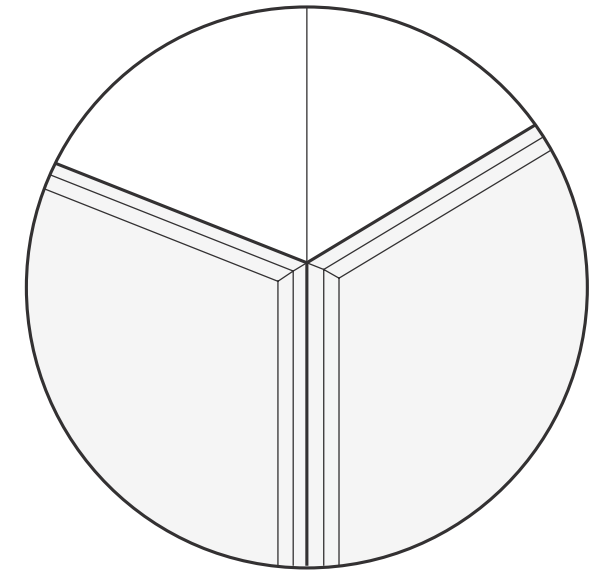
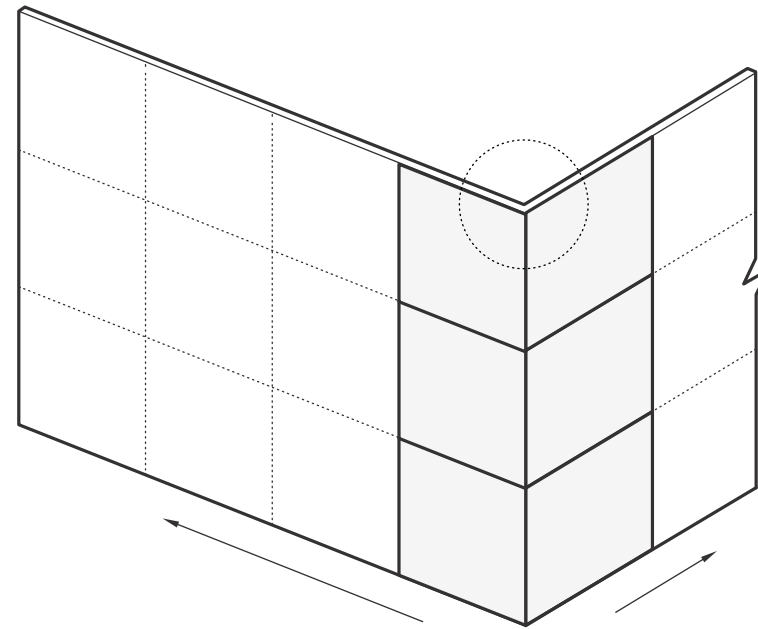
- If your layout requires tiles to finish into an internal corner and involves a patterned or directional tile, we recommend starting the installation from the end opposite the internal corner
- When installing the final tiles closest to the internal corner:
 - Flip the last tile 180° and align it with the tile directly above the neighbouring tile
 - Measure and mark where the neighbouring tile ends
 - Cut the tile along this marked line
 - Remove the excess, then rotate the tile back 180° so the pattern faces correctly
 - The bevelled edge should align with the neighbouring tile, with the cut edge fitting neatly into the internal corner





Complex Install - External Corner

- When installing on an external corner, the tile edge can be aligned with the edge of the wall
- If you need to achieve a wrap-around detail, apply the same method to the opposite wall, as shown in the diagram
- We recommend starting your layout from this edge if it is the more exposed or visible edge of your install



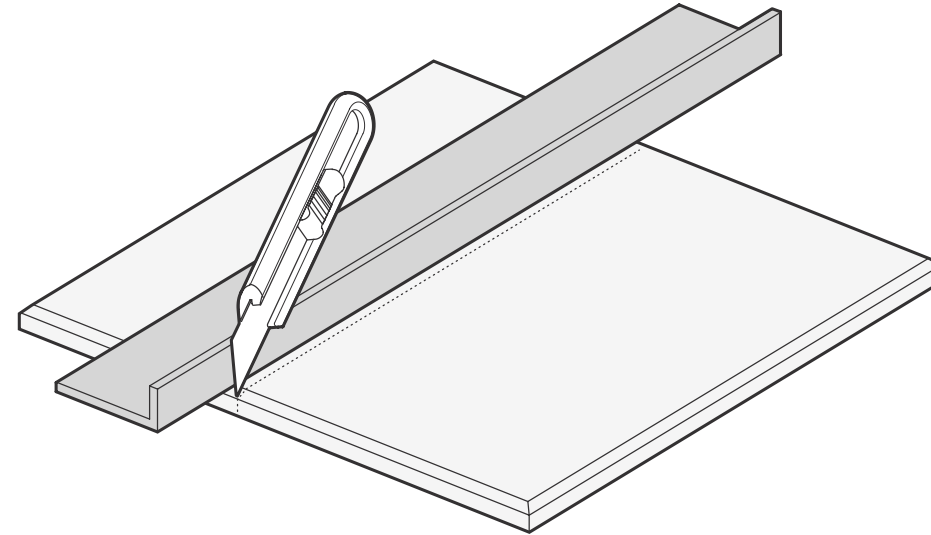
Lap Join Detail



Complex Install

Trimming Tile

- Wall tiles can be cut on-site if required. We recommend using a snap-blade knife and straight edge
- When cutting, use a flat surface, and measure out section of tile to cut
- Cut the tile using several passes along the straight edge for a clean cut



Power Outlets and Light Switches

- Tiles can be cut to accommodate details like power outlets and light switches
- Measure and cut a hole where the powerpoint would sit on the tile
- Remove the backing off the tile and apply to the substrate
- Secure the outlet through the tile into the substrate

Note: all electrical plumbing, fire safety appliances, and fittings should only be removed and reinstalled by an appropriately qualified person

