



Grid Ceiling Tiles are designed to be installed in standard 24 mm and 15 mm suspended ceiling systems. These Install Instructions are of a general nature and are designed to assist suitably experienced tradespeople in the installation of Grid Ceiling Tiles to a high standard.

For installation support, contact your Autex Acoustics® account manager before you start. Take care when working around electrical wiring and other services. Treat all wires as live.

---

## Manufacturer's documents

Autex Acoustics recommends that all persons engaged in the installation have full knowledge of the product and installation procedure as set out in the most recent edition of the manufacturer's instructions and related documents.

Manufacturer's documents relating to work in this section are:

- Grid Ceiling Tiles Data Sheet
- Autex Acoustics Care and Maintenance Guide

Copies of the above documents are available on request or from the Autex Acoustics website [autexglobal.com](http://autexglobal.com)

---

## Inspection

Before installing Grid Ceiling Tiles check that the materials have been supplied as ordered and are free from damage or faults. Check product labels to ensure product has been supplied correctly.

It is important to check that all boxes are supplied from one batch. Due to batch to batch variations,

we do not recommend installing different batch lots as this could result in colour variation.

Any variations must be reported to Autex Acoustics prior to commencing the installation. No claims will be accepted where the job continues with obvious faults, and no consultation with Autex Acoustics has taken place.

---

## Transportation, storage and handling

Grid Ceiling Tiles must be transported, stored, and handled with care. Avoid delamination or distortion and protect edges from being crushed.

Do not accept damaged tiles. If product arrives damaged, note the condition on the freight documents and contact Autex Acoustics immediately. Goods signed as received in 'good condition' will not be the responsibility of Autex

Acoustics. Always transport and store Grid Ceiling Tiles on a flat, clean, dry surface. Do not lay the tiles on their sides or crush as this will cause creases in the tile finish.

The use of Personal Protection Equipment is not required to handle Grid Ceiling Tiles, though care must be taken to keep the job clean, and the use of cotton gloves is recommended.

---

## Recommended tools

- Soft cotton gloves
- Sharp utility knife
- Ladder

---

## Site preparation

The site conditions at time of installation should be clear of dust, debris, and foreign particles. Installation should only commence once the building is fully clad, water-tight, dry, and all wet processes have been completed.

---

## Service

For more information contact your Autex Acoustics account manager or visit our website [autexglobal.com](http://autexglobal.com)



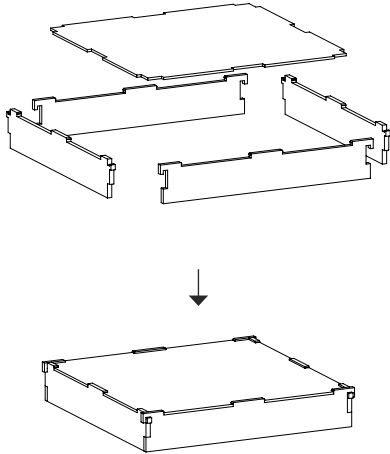
## Assembly of Grid Ceiling Tiles

For easy handling and sorting, tile profiles are supplied as connected, nested flat sheets.

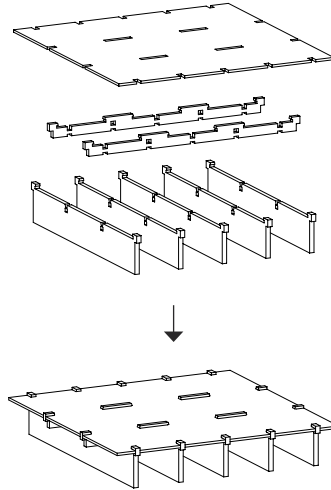
Slot profile blades together as indicated in the reference images.

Note, configurations will vary slightly from these images depending if the specification is uncapped, flush, or a differing size. The assembly method will still remain consistent for each style.

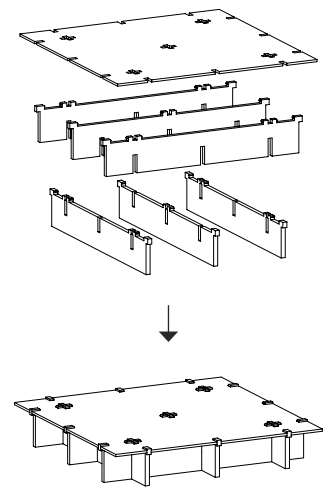
Frame



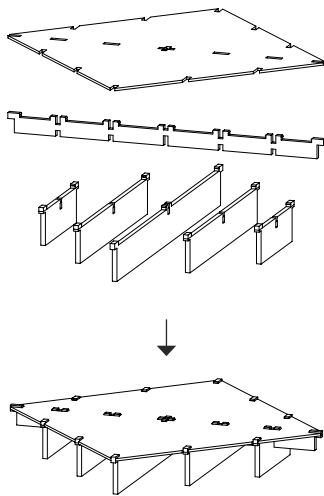
Linear



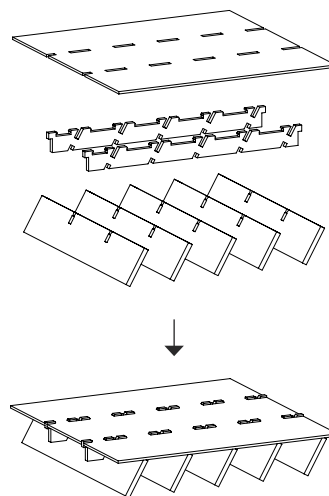
Hatch



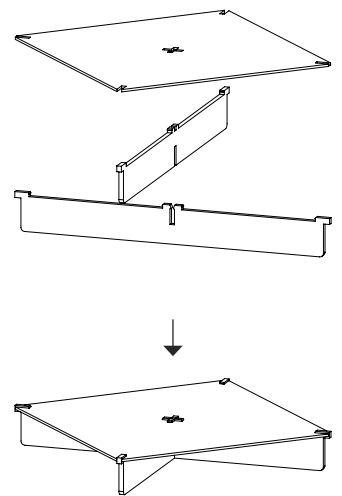
Angle



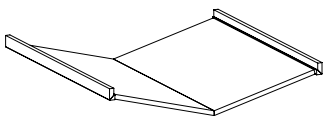
Louvre



Vertex



Vault





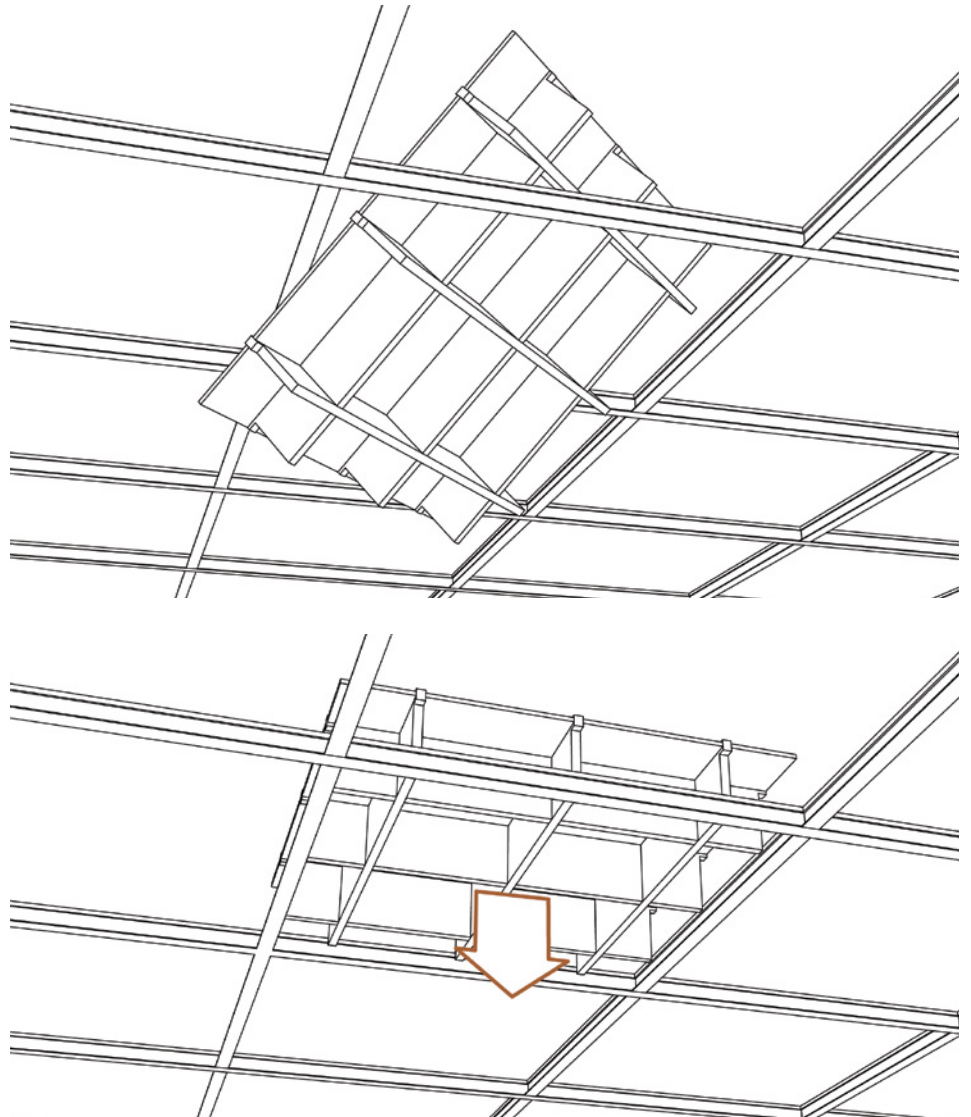
## Installation of Grid Ceiling Tiles

Before installing your tiles, it is important to ensure the grid has been installed in accordance with the local Building Code, as per the manufacturer's specification, and is true and square.

Install all fittings and fixtures including those with penetrations through ceiling tiles, i.e. heat sensors, sprinkler heads, and light fittings.

**Note:** Suspended ceiling systems must be installed in accordance with current building code requirements and AS/NZS 2785.

Slightly tilt the tile and angle it through the ceiling grid, then gently place it into position.



To remove tiles and access above the grid, simply reverse the process described above.

## On completion

Leave work to the standard required by following procedures. Leave work secure, smooth and free of gaps, stains, and blemishes.

Clean adjoining surfaces of any dust. Remove debris, unused materials, packaging, and waste from site.

● **New Zealand**  
702-718 Rosebank Road,  
Private Bag 19988  
Avondale 1746, Auckland  
T 0800 428 839  
T +64 9 828 9179  
[autexacoustics.co.nz](http://autexacoustics.co.nz)

● **Australia**  
285 Swan Street,  
Richmond, VIC 3121  
T 1800 678 160  
T +61 3 9450 6700  
[autexacoustics.com.au](http://autexacoustics.com.au)

● **United Kingdom**  
Unit J4, Lowfields Way,  
Lowfields Business Park,  
Elland, West Yorkshire  
HX5 9DA  
T +44 0 142 241 8899  
[autexacoustics.co.uk](http://autexacoustics.co.uk)

● **United States**  
1630 Dan Kipper Drive,  
Riverside, CA 92507  
T +1 424 203 1813  
[autexacoustics.com](http://autexacoustics.com)

Autex is an ISO certified organisation encompassing Quality (ISO 9001), Environmental (ISO 14001), and Health and Safety (ISO 45001). Brand names and logos are registered or unregistered trademarks owned or used under license by Autex Industries Limited or other members of the Autex Group. © Copyright 2024 Autex Industries Ltd. All rights reserved. It is the user's responsibility to determine if the product and information presented in this document is suitable for the intended application by engaging a suitably qualified consultant. The information contained in this document is correct to the best of our knowledge at the date of its publication. To verify that this document is the most current publication please check our website or contact your Autex Acoustics account manager.