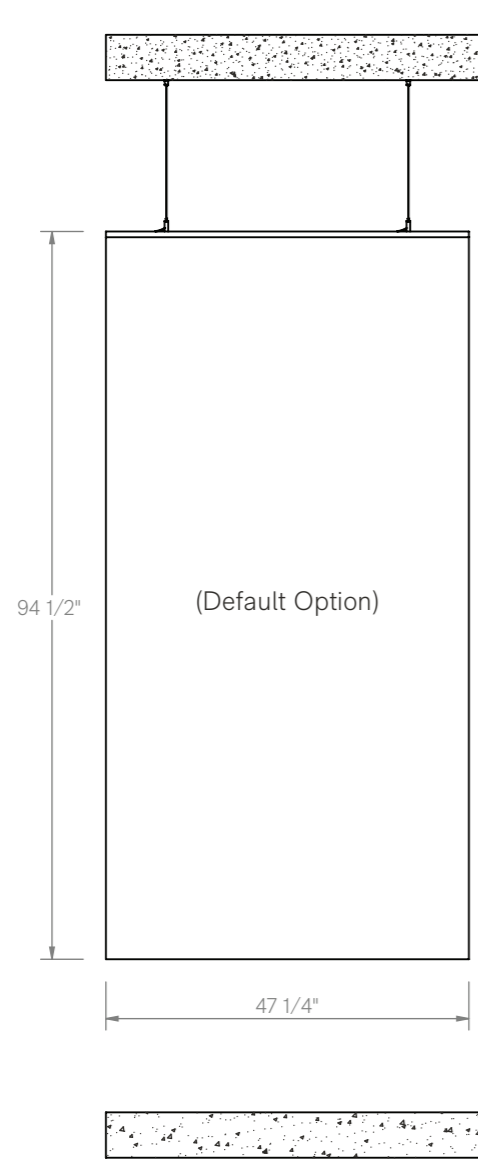


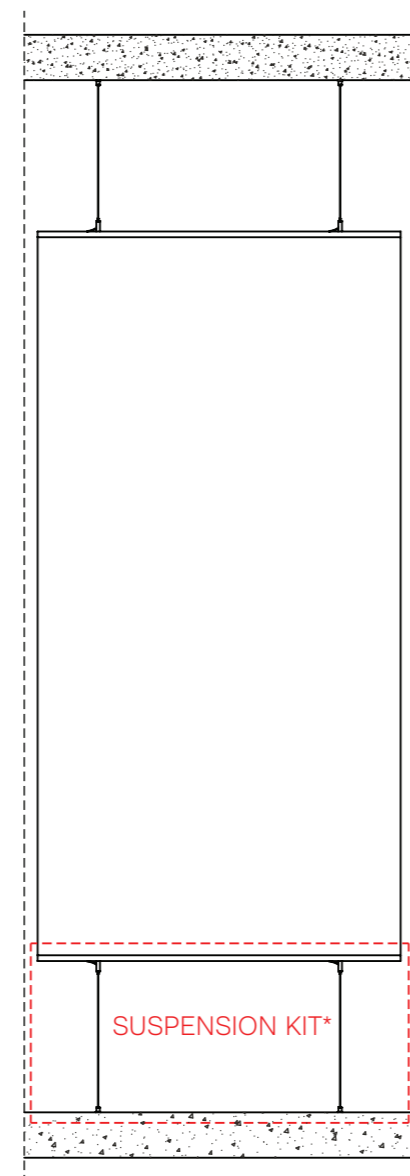


Cascade™ Hanging Options

01. Suspended Top
- Free Hanging Base

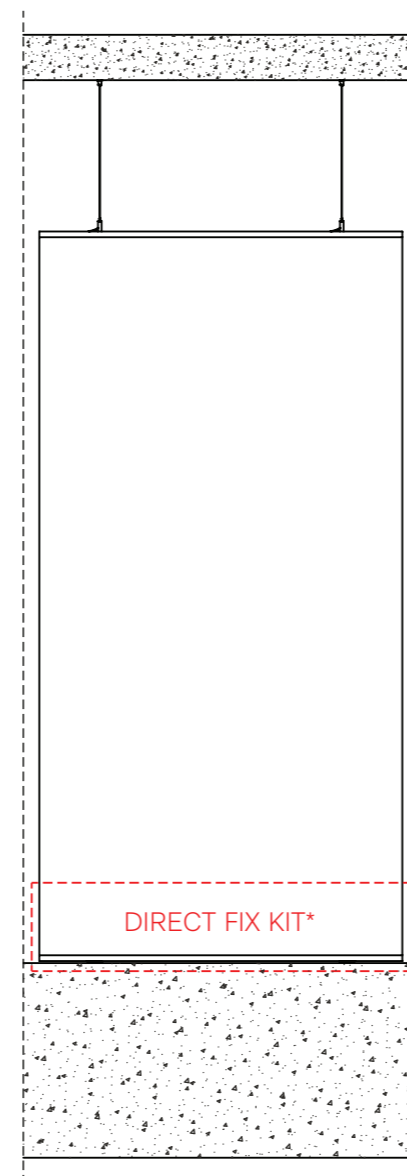


02. Suspended Top
- Suspended Base



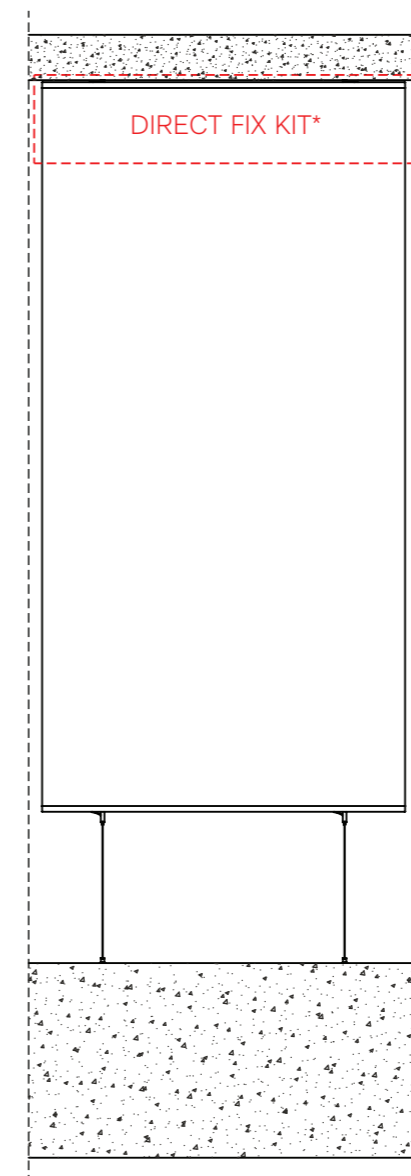
* This option requires additional components to the standard pack

03. Suspended Top
- Direct Fixed Base



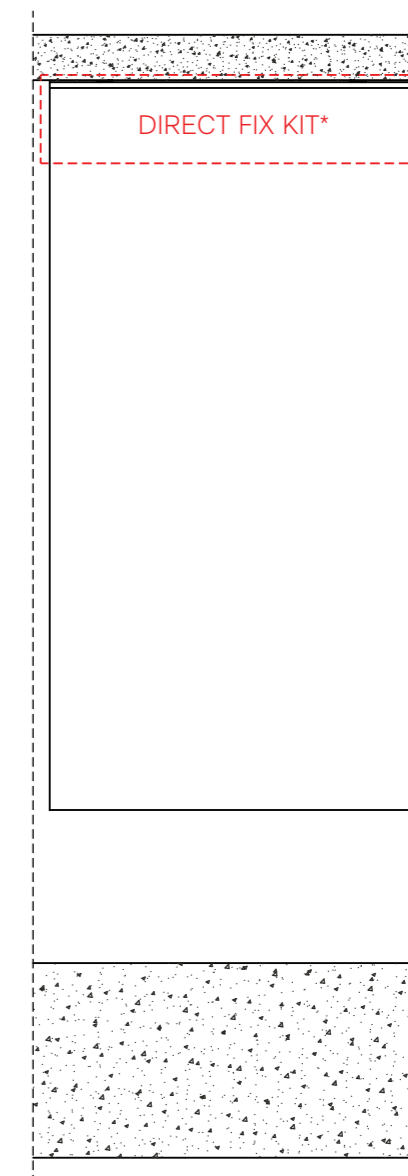
* This option requires additional components to the standard pack

04. Direct Fixed Top
- Suspended Base



* This option requires additional components to the standard pack

05. Direct Fixed Top
- Free Hanging Base

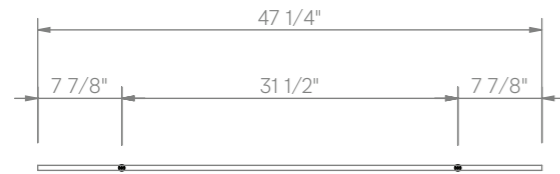


* This option requires substitute components to the standard pack

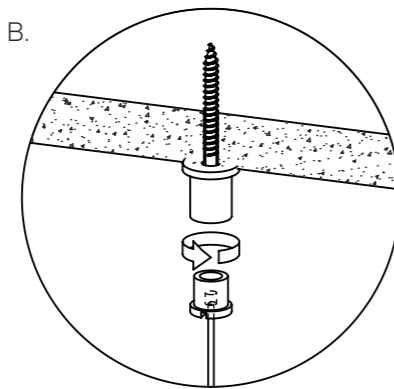
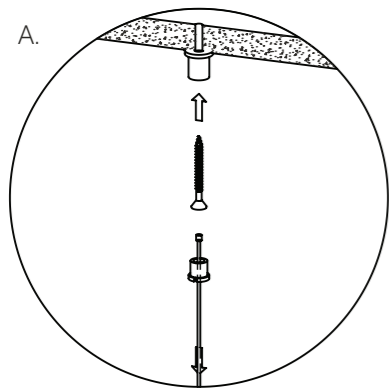


Before work commences, please ensure you take the time to plan out your Cascade™ install, plan out your fixing points and the spacings of the screens.

1. Mark out fixing points as shown for each screen.



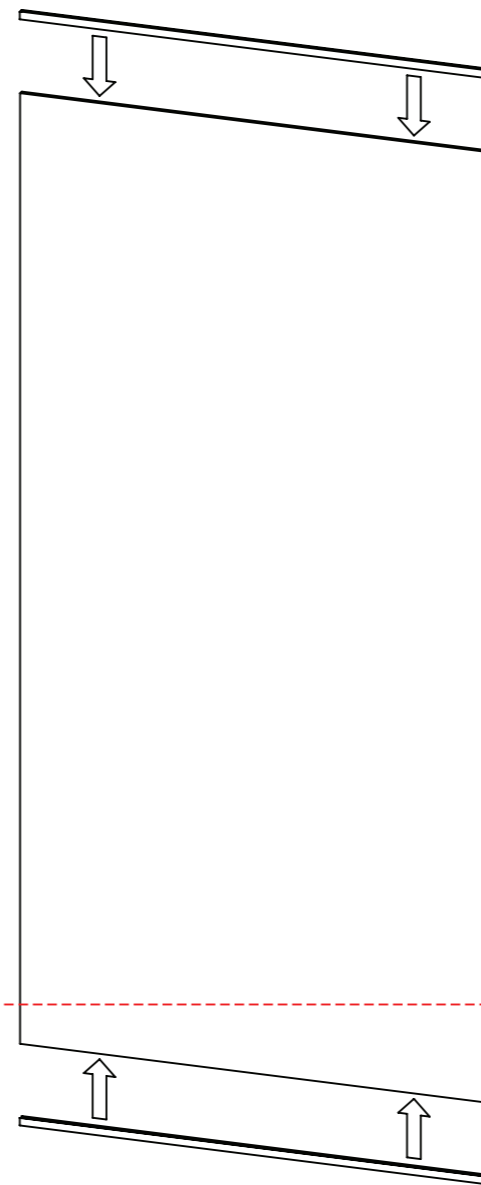
2.
 - A. Unscrew cap from the ceiling connector base and screw the base part to the ceiling as marked out in step 1. Thread the supplied cable through the cap so that the ball stop sits inside the cap.
 - B. Screw the cap back into the base.
 Repeat for the other suspension kit(s).



3. Press extrusion firmly onto the top of the screen, ensuring it is seated fully.

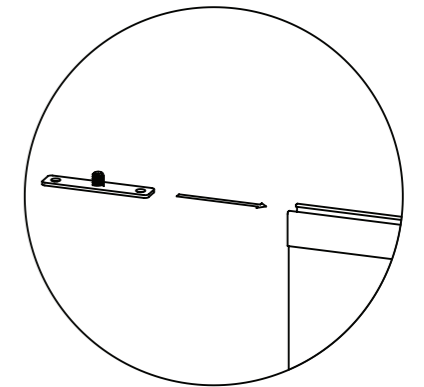
For extra grip, gently squeeze the channel that is holding the screen along its length.

If screen is to be fixed at the base, repeat as per the top with additional direct fix or suspension kit.



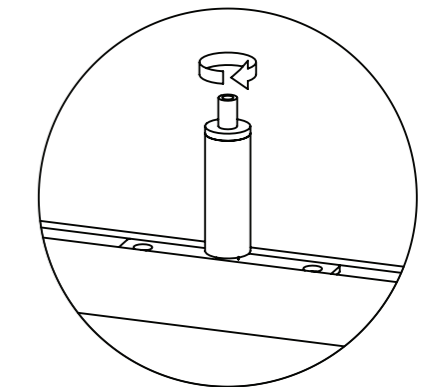
Fixing at both ends requires additional components to the standard pack

4. Slide connector plate into the top of the channel at both ends.



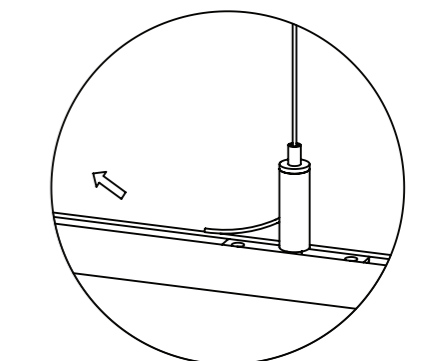
5. With the connector plate in the position indicated in step 1, screw the adjustment barrel into the threaded boss.

Hand tighten to lock in position.



6. Lift screen up and thread the loose end of the wire through each adjustment barrel as shown.

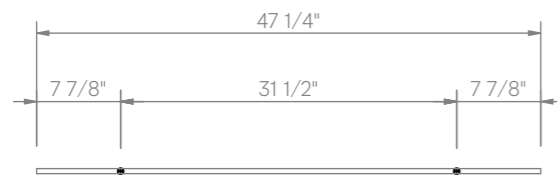
Pull on the loose end to tighten or press down on top of the barrel to loosen.



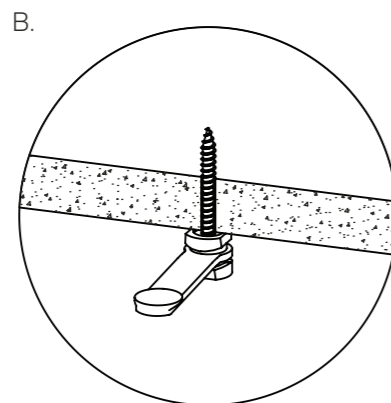
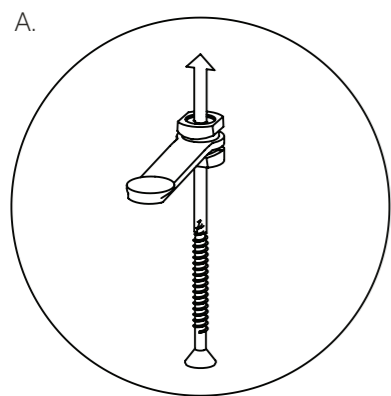


Before work commences, please ensure you take the time to plan out your Cascade install, plan out your fixing points and the spacings of the screens.

1. Mark out fixing points as shown for each screen.



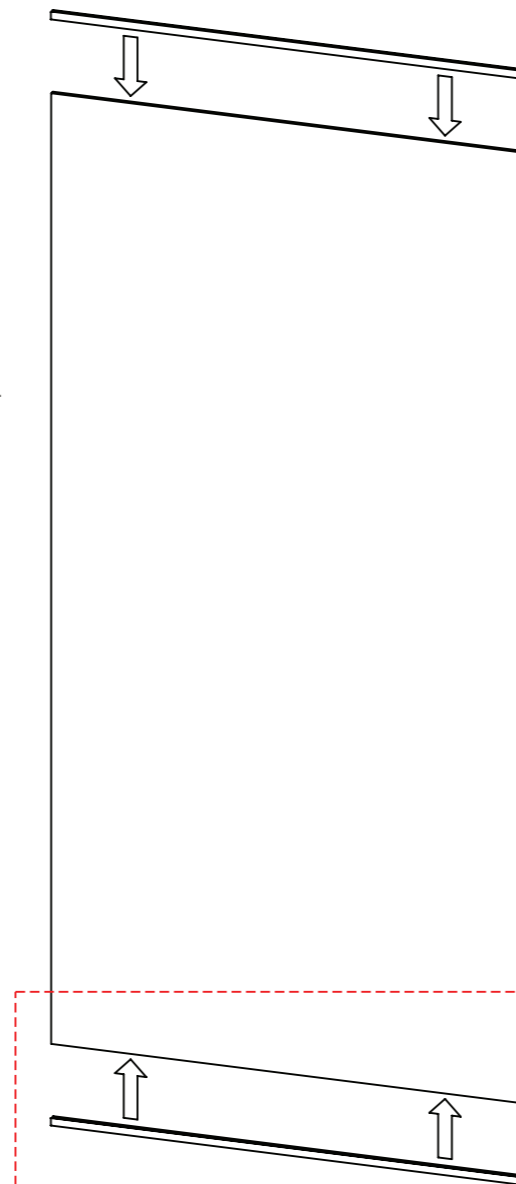
2. A. Preset suitable 6-8g screw (not supplied) into Autex Mounting Clips x2 (RAFTCC).
B. Screw into ceiling at marked fixing points.



3. Press extrusion firmly onto the top of the screen, ensuring it is seated fully.

For extra grip, gently squeeze the channel that is holding the screen along its length.

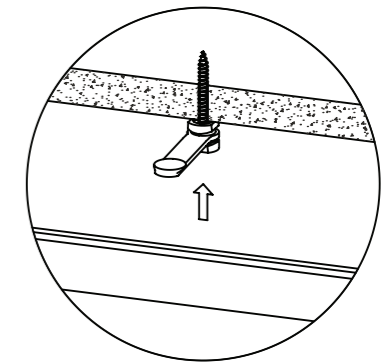
If the screen is to be fixed at the base, repeat as per the top with additional direct fix or suspension kit.



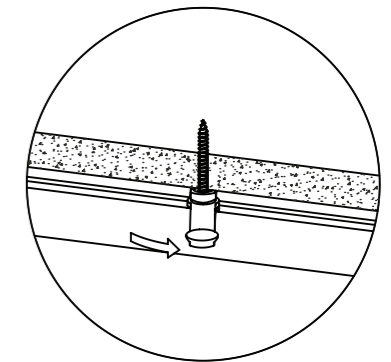
Fixing at both ends requires additional components to the standard pack

4. Offer up the screen to the installed Autex mounting clips.

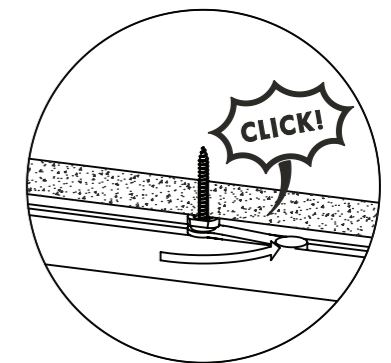
Make sure they are perpendicular to the screen and press channel onto the clips.



5. Twisting the mounting clip handle slightly will hold the screen in place while allowing fine adjustment of the screen left or right.



6. Twist the mounting clip until the handle clicks into the channel to lock the screen in position.



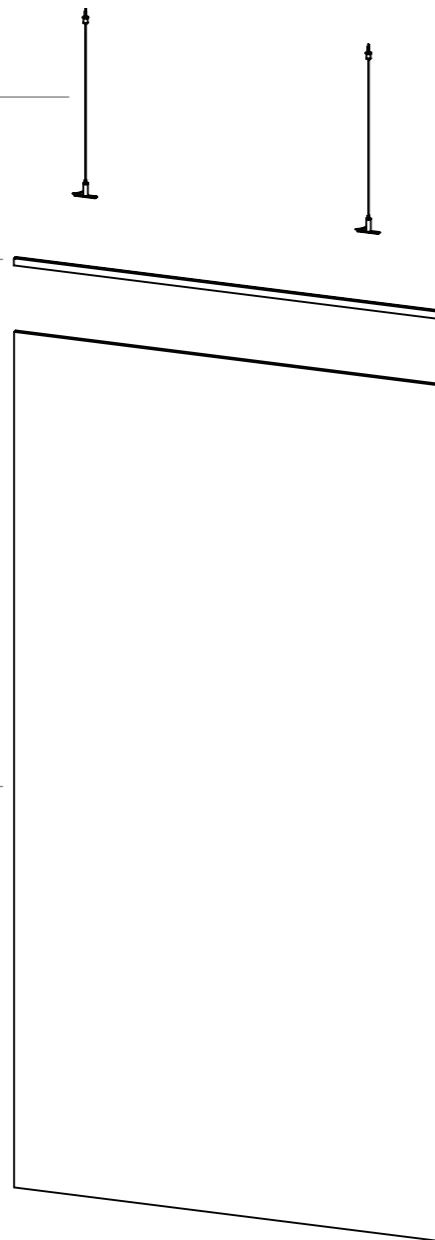


Exploded View

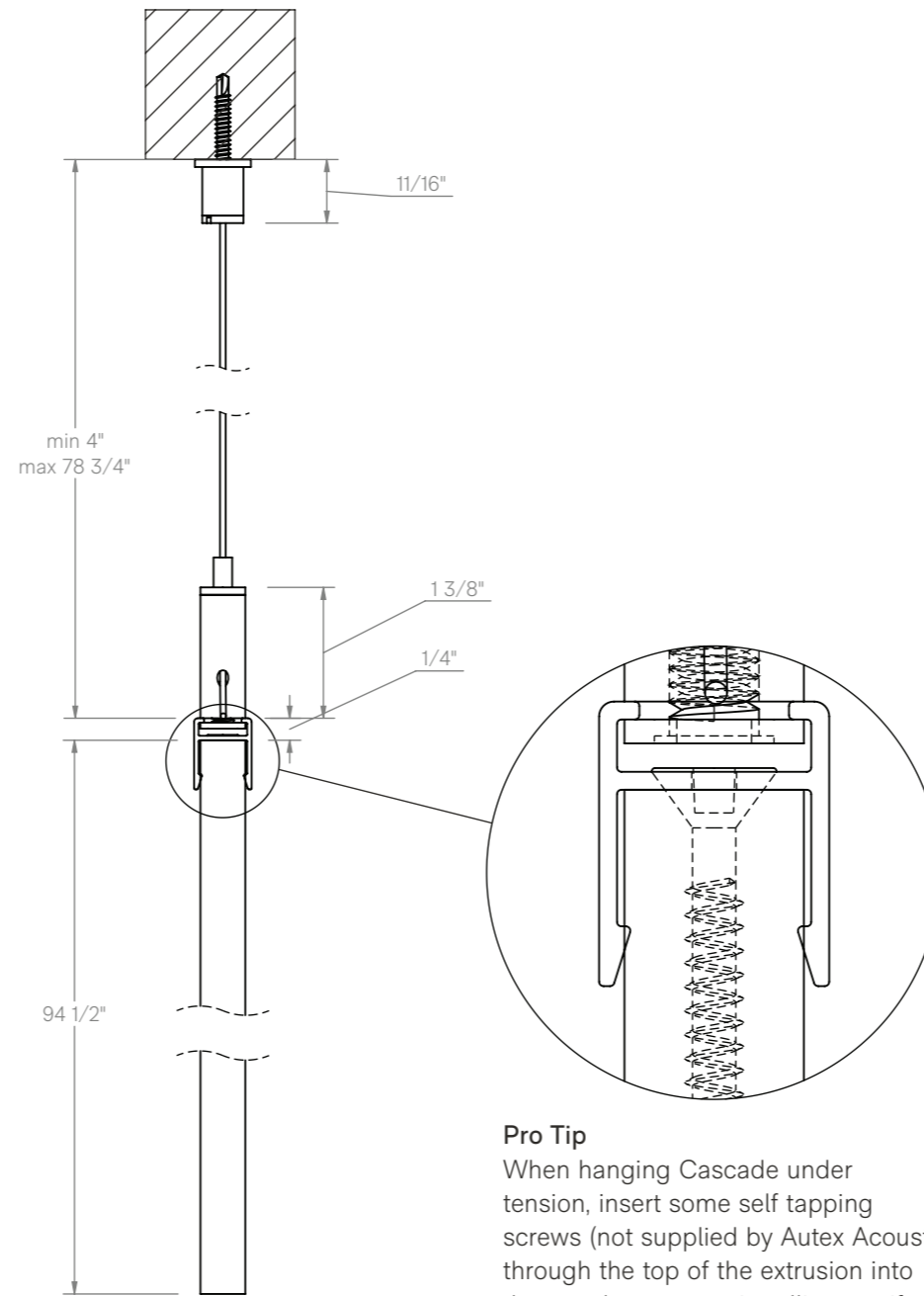
RAHVAS2000
Autex Adjustable
Suspension Set
78 3/4" cable

RAFEX9PCB47
Autex 3/8" Extrusion
47 1/4" length.
Powder Coated Finish -
Matte Black

Cascade Panel
Static/Folding/
Expanding options
available.



Cross Section



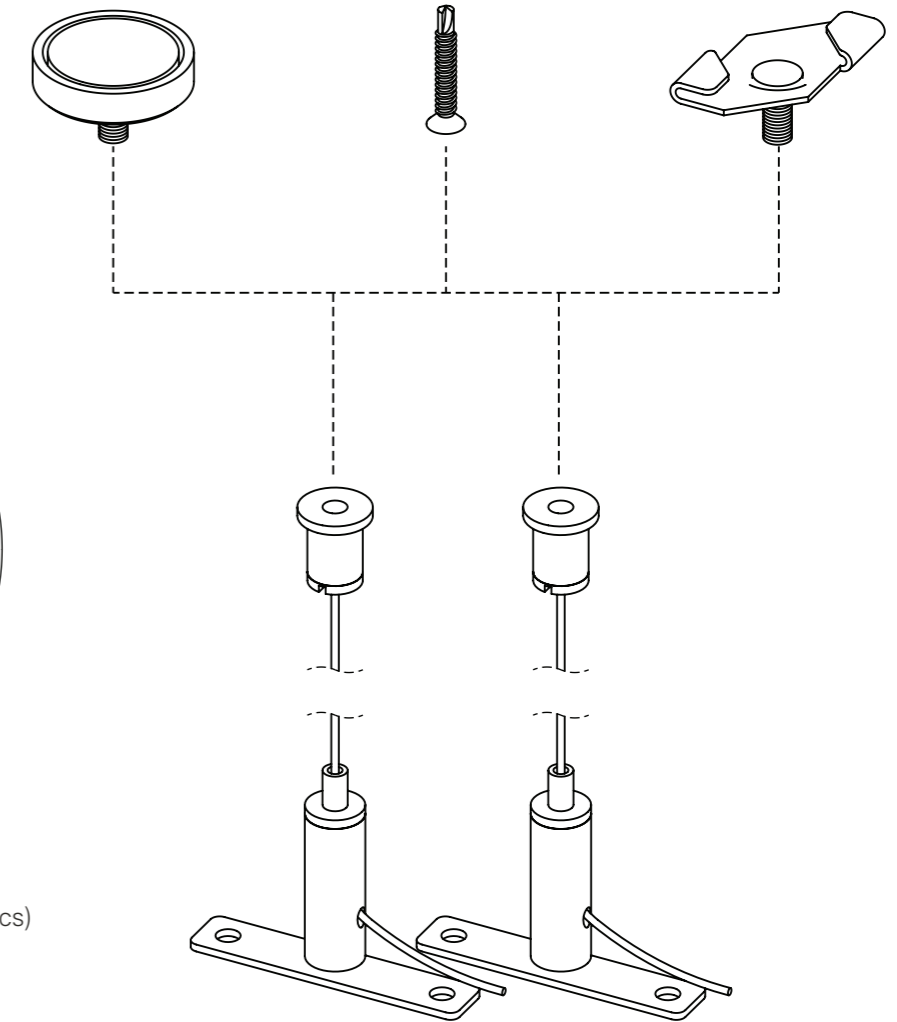
Pro Tip
When hanging Cascade under tension, insert some self tapping screws (not supplied by Autex Acoustics) through the top of the extrusion into the panel to prevent it pulling out if over tightened.

Suspension Options

RAF6MP
Magnet Pot with
M6 Thread
(Optional)

Screw suitable
for substrate
(Not Supplied by
Autex Acoustics)

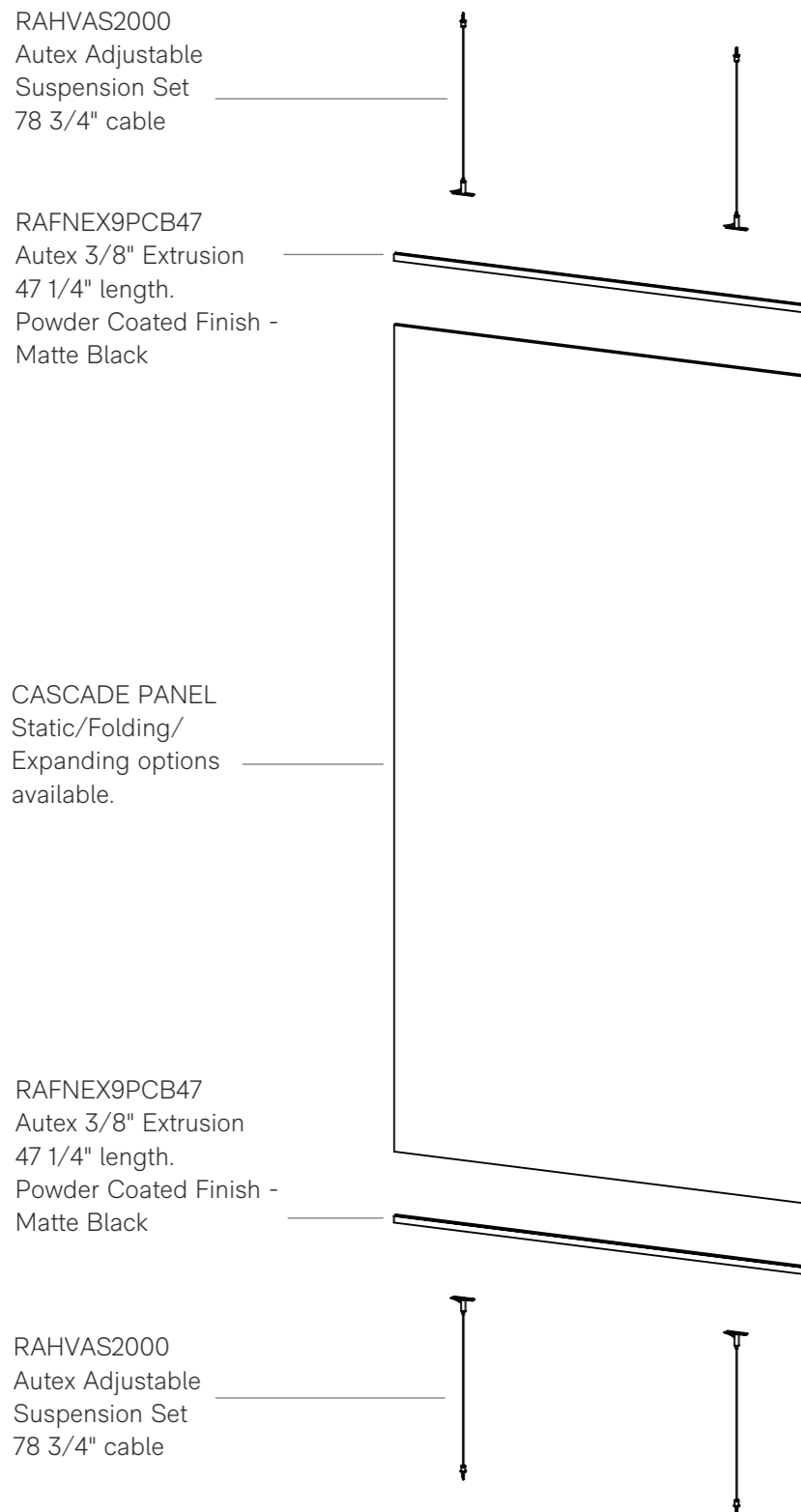
RAF6GC
1" Ceiling Grid
Connector with
M6 Thread
(Optional)



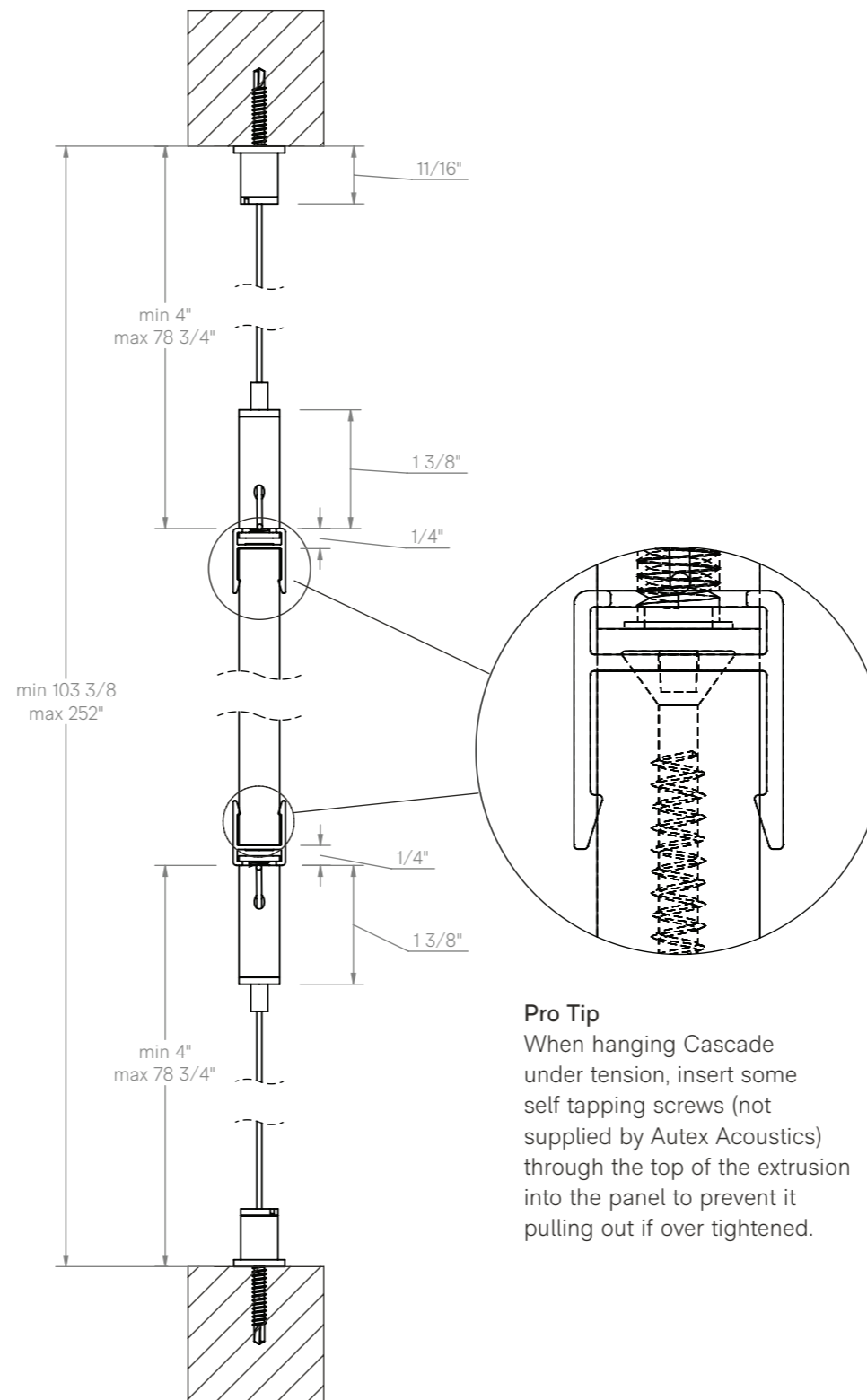
RAHVAS2000
Autex Adjustable
Suspension Set 78 3/4" cable
Channel Connection



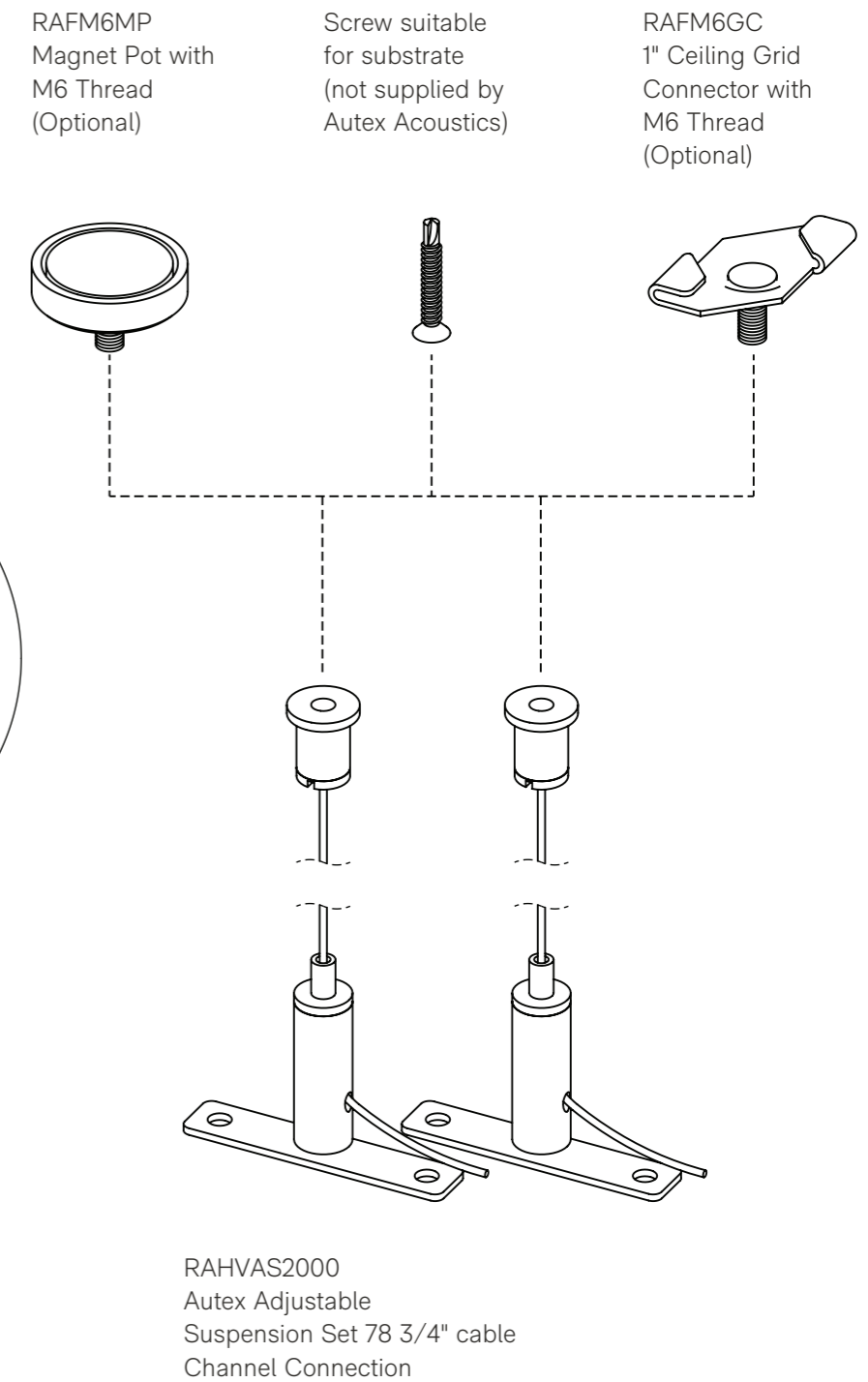
Exploded View



Cross Section

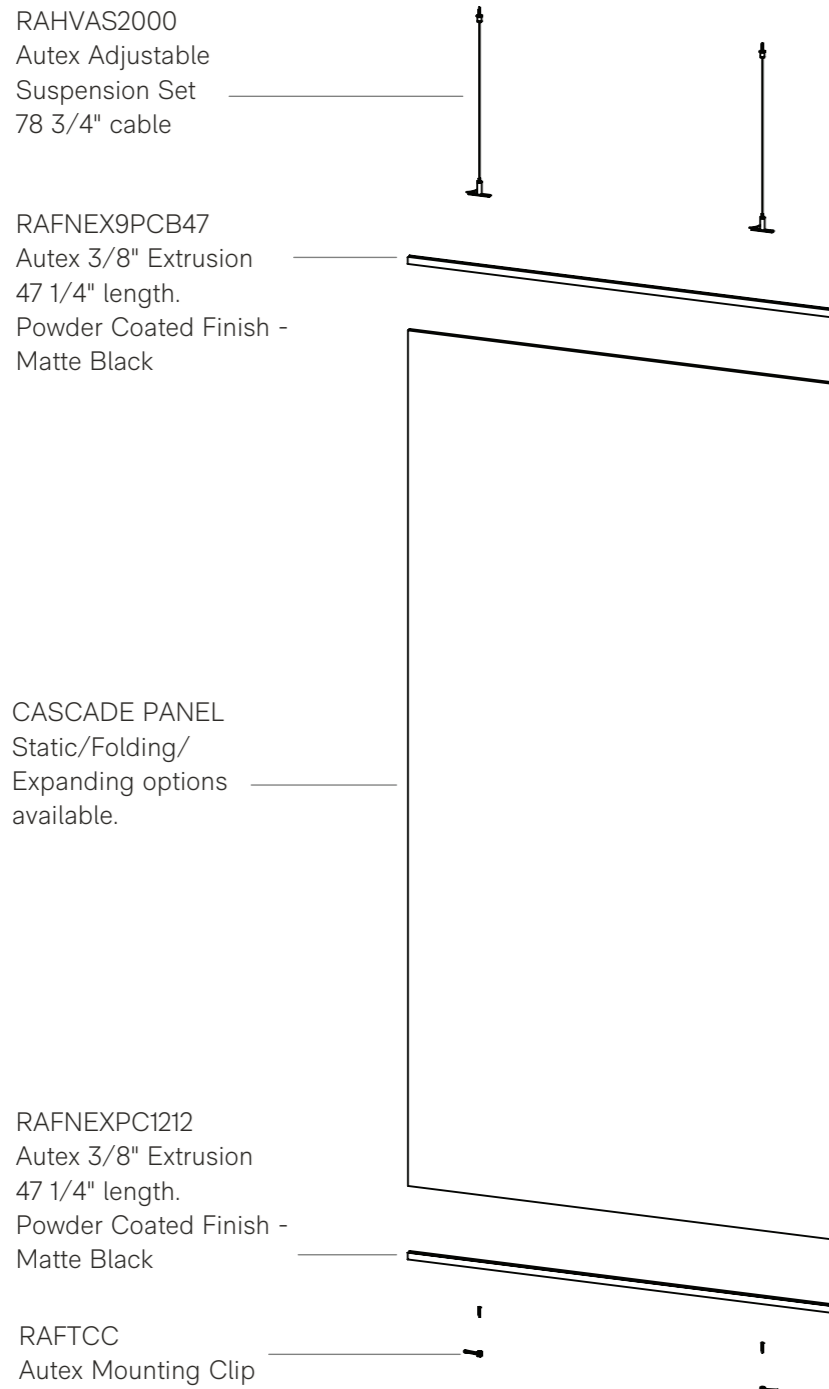


Suspension Options

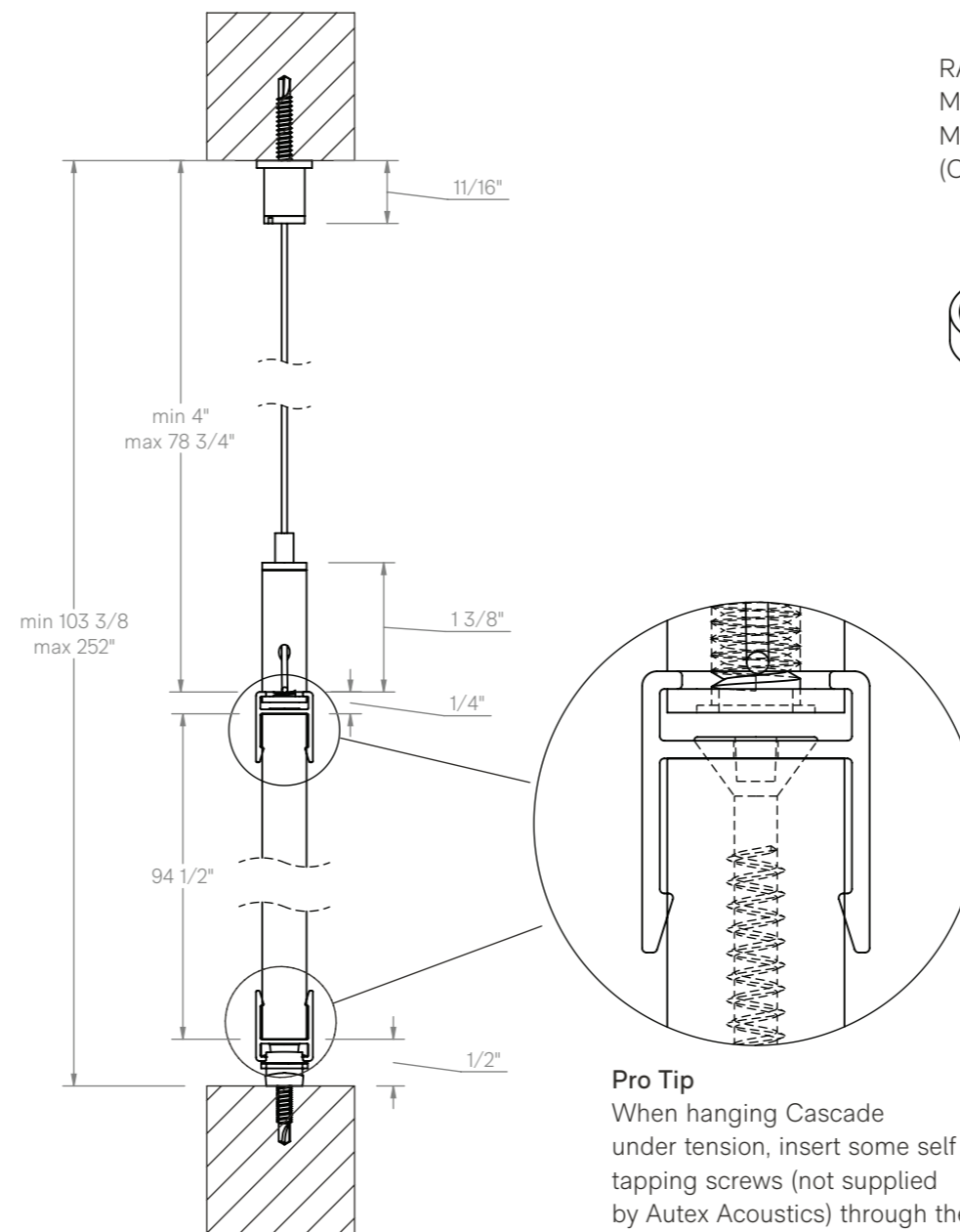




Exploded View

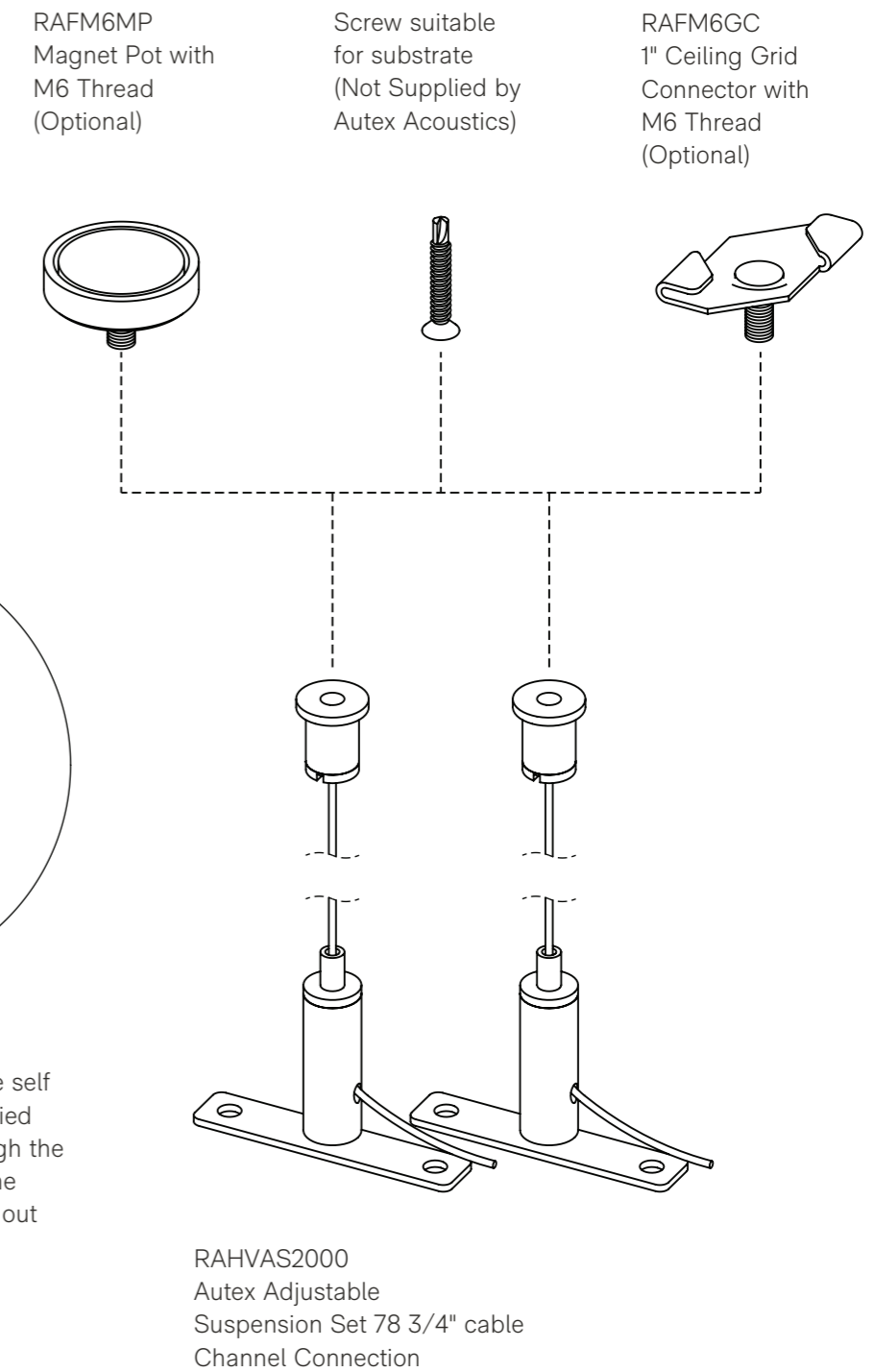


Cross Section



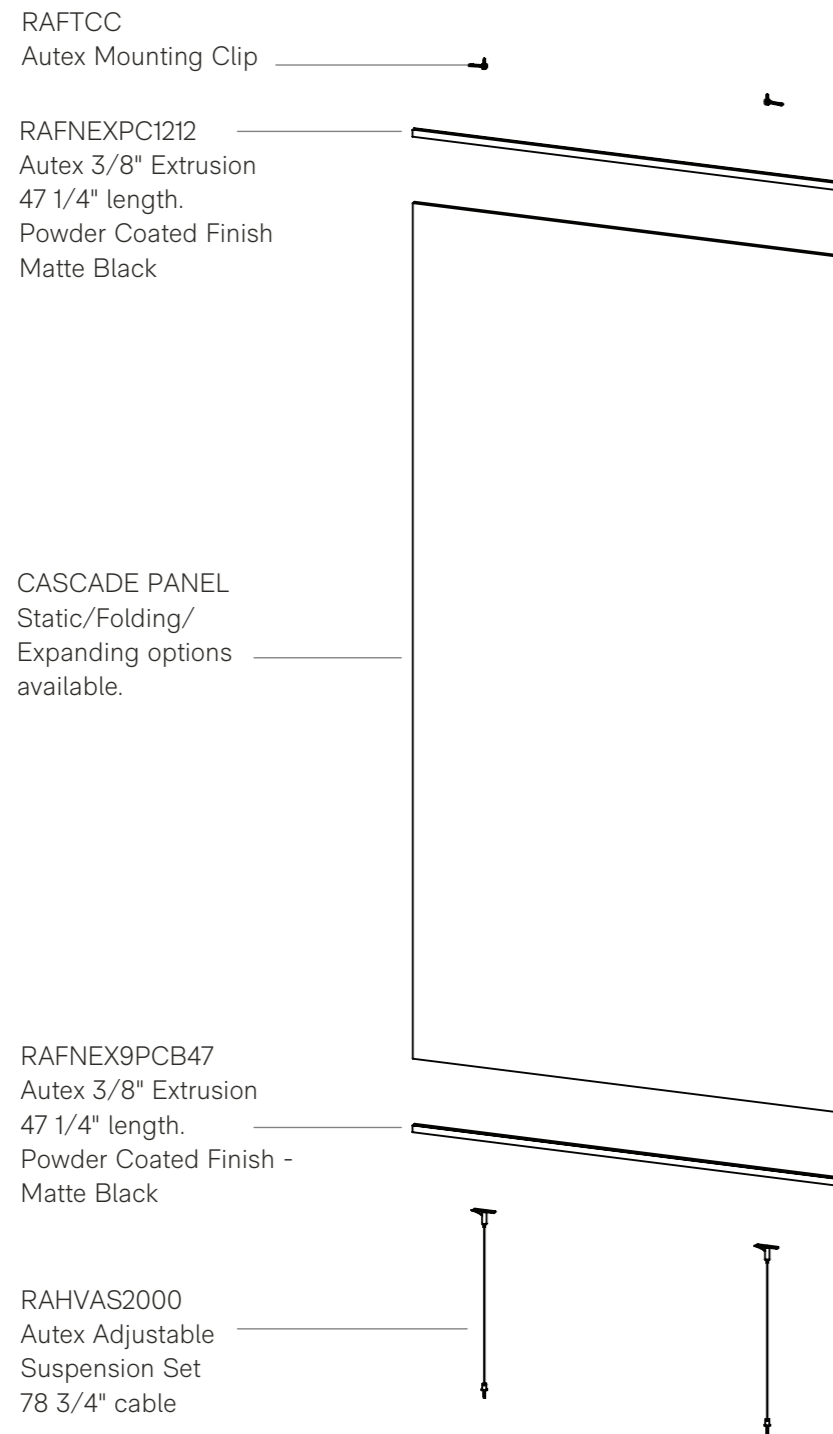
Pro Tip
When hanging Cascade under tension, insert some self tapping screws (not supplied by Autex Acoustics) through the top of the extrusion into the panel to prevent it pulling out if over tightened.

Suspension Options

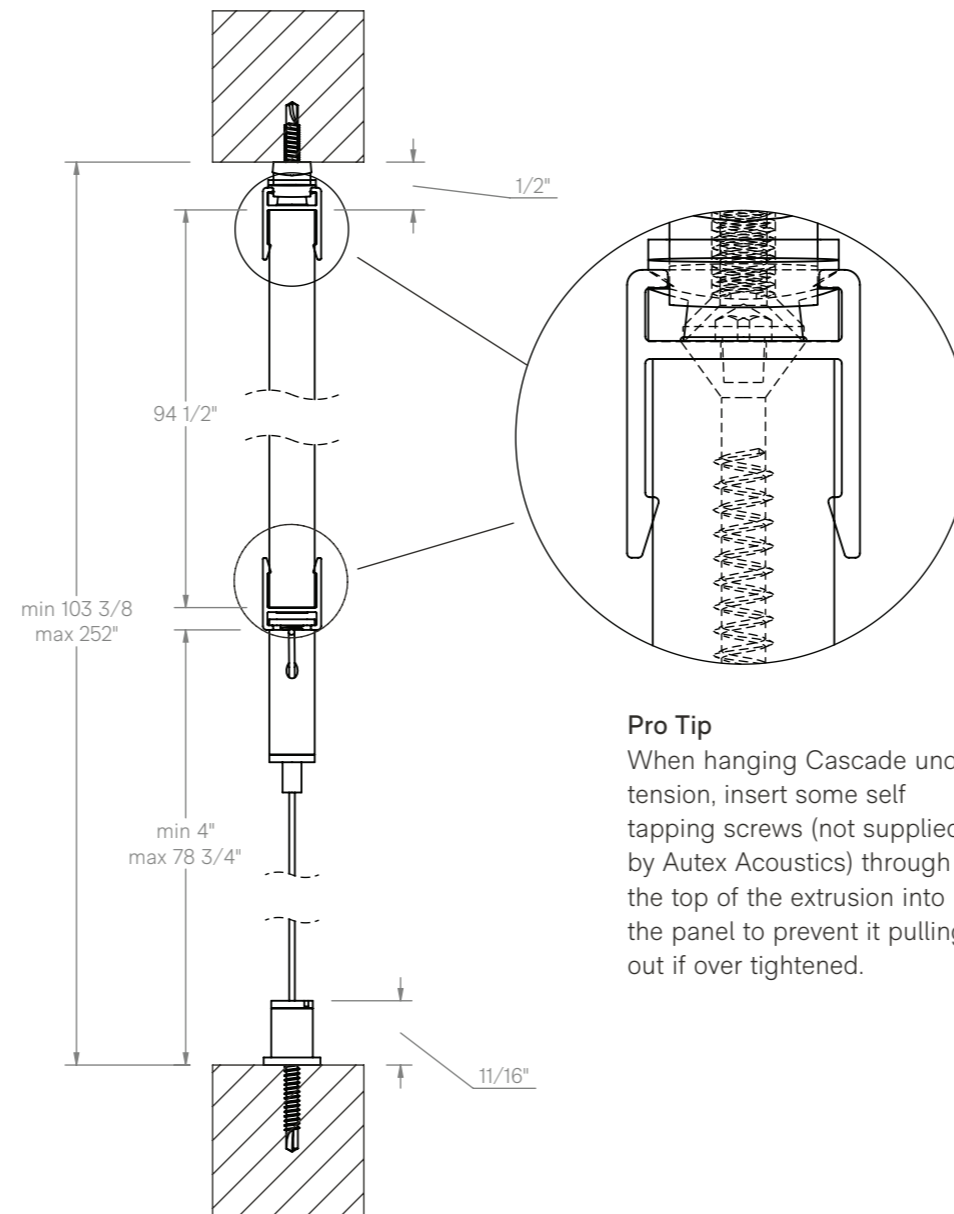




Exploded View

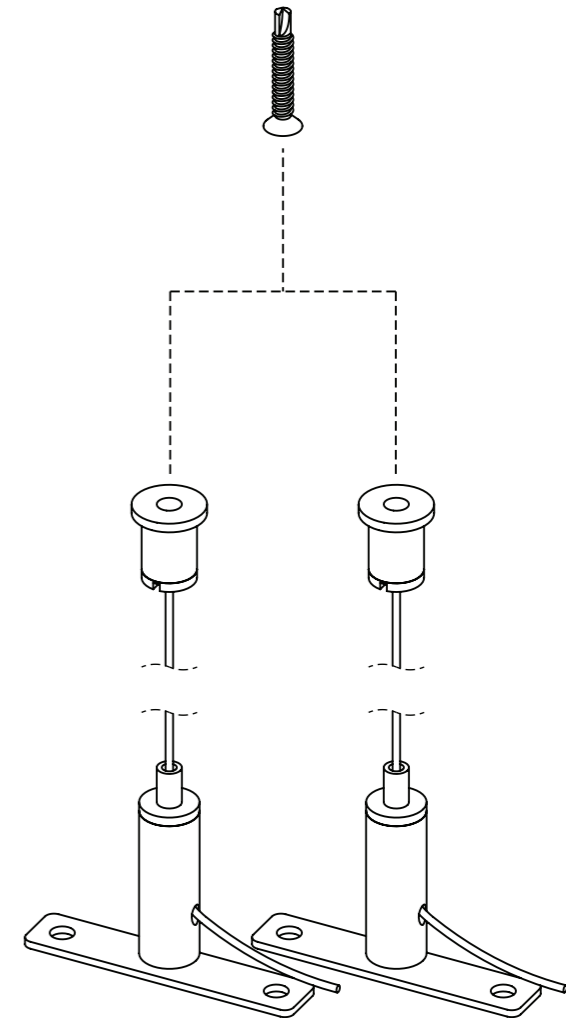


Cross Section



Suspension Options
(for bottom edge)

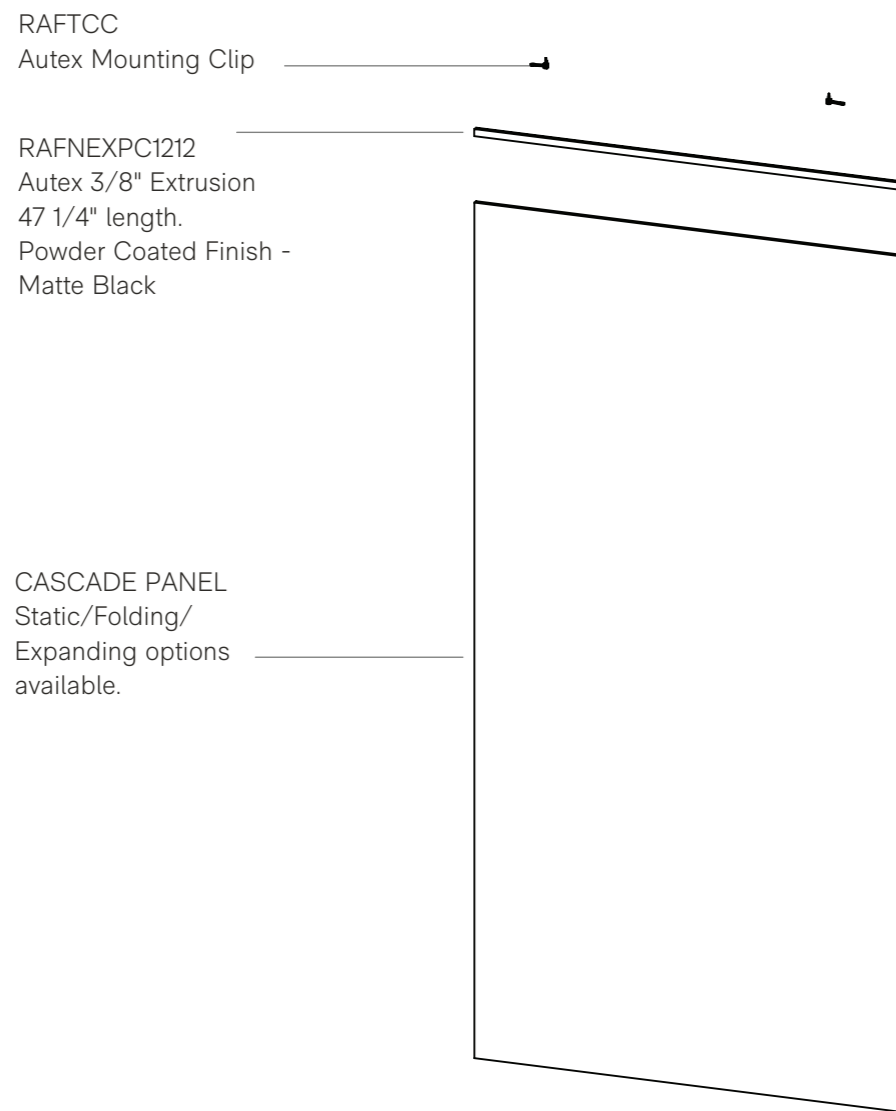
Screw suitable for substrate
(Not Supplied by
Autex Acoustics)



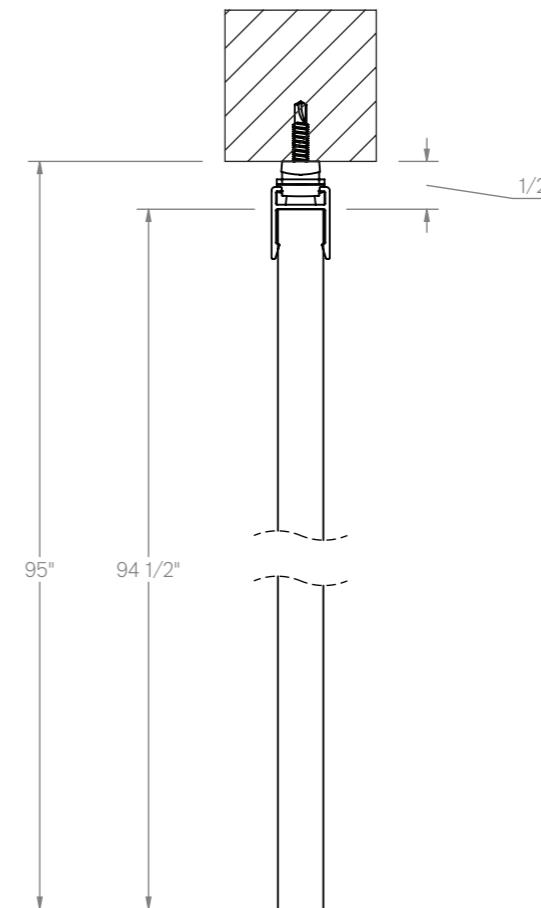
RAHVAS2000
Autex Adjustable
Suspension Set 78 3/4" cable
Channel Connection

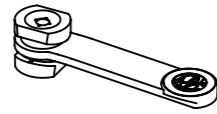


Exploded View

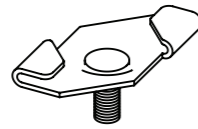


Cross Section



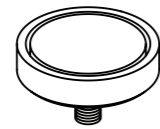


RAFTCC
Autex Mounting Clip

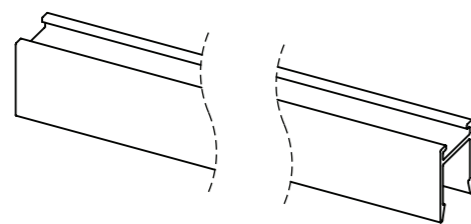


RAF6M6GC
1" Ceiling Grid Connector with
1/4" Thread

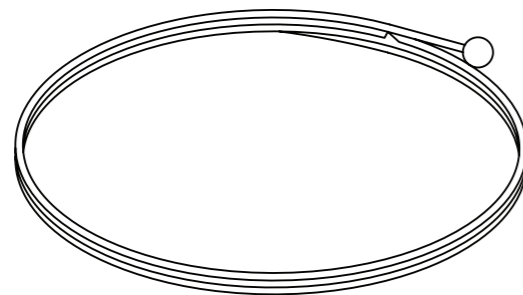
(NOTE: Grid may require
re-enforcement to carry
weight of screen)



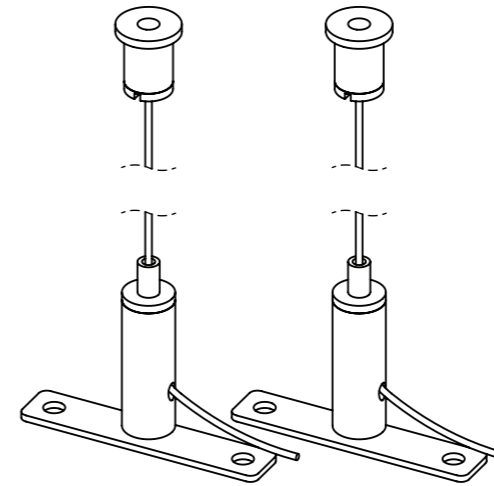
RAF6M6MP
Magnet Pot with M6 Thread
and Cable Adaptor



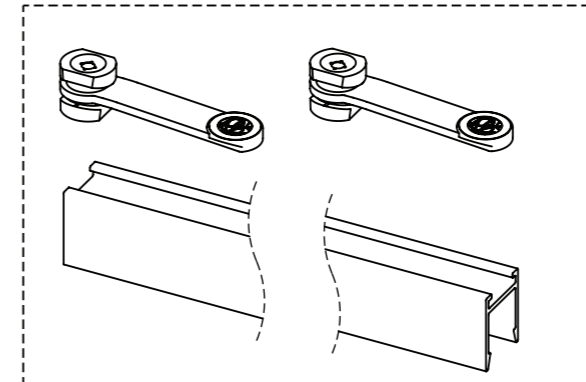
RAFEX9PCB47
Autex 3/8" Extrusion 47 1/4" length
Powder Coated Finish
- Matte Black



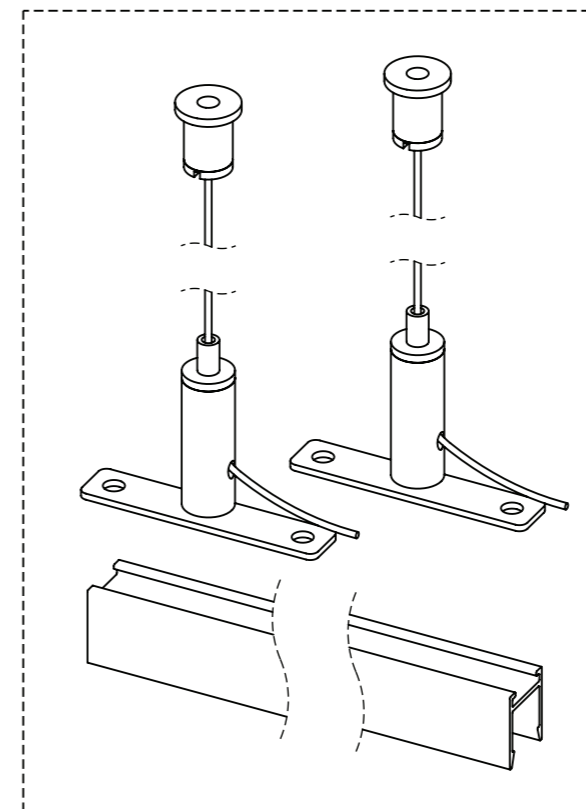
RAH3MBE
118 1/8" Steel Cable
with Ball End



RAHVAS2000
Autex Adjustable
Suspension Set 78 3/4" cable -
Channel Connection



Direct Fix Kit
2 x RAFTCC
1 x RAFEX9PCB47



Suspension Kit
2 x RAHVAS2000
1 x RAFEX9PCB47