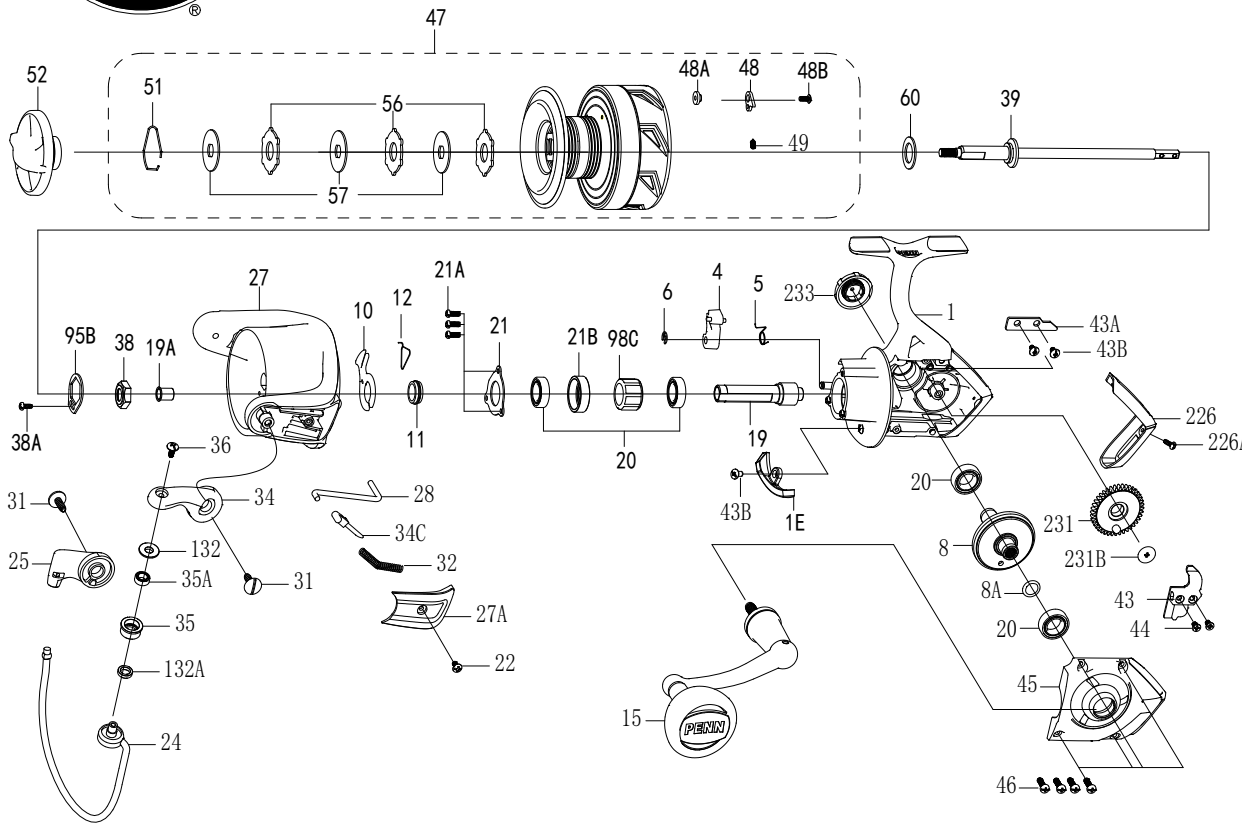




**PARTS LIST FOR MODEL BTLIII8000HS**



KEY NO.	PART NO.	PENN STYLE NO.	DESCRIPTION
20	1489300	20-SSVI7500	Ball Bearing (4 req)
21	1192636	21-5000SG	Bearing Retainer
21A	1192645	21A-5000SG	Bearing Retainer Screw (3 req)
21B	1529531	21B-BTLIII8000	Collar
22	1204018	22-6000PUR	Screw
24	1529532	24-BTLIII8000	Bail Wire Assembly
25	1529533	25-BTLIII8000	Bail Holder
27	1529552	27-BTLIII8000HS	Rotor
27A	1529535	27A-BTLIII8000	Bail Pivot Cover
28	1529536	28-BTLIII8000	Trip Lever
31	1365758	31-FRCII8000	Bail Arm Screw (2 req)
32	1313874	32-CFT8000	Bail Spring
34	1313875	34-CFT8000	Bail Arm
34C	1529537	34C-BTLIII8000	Pivot Arm
35	1529538	35-BTLIII8000	Line Roller
35A	1242222	35A-5000BTL	BEARING
36	1191699	36-3000SG	Stud Screw
38	1529539	38-BTLIII8000	Rotor Nut
38A	1204016	21A-5000PUR	Screw
39	1529540	39-BTLIII8000	Main Shaft Assembly
43	1529541	43-BTLIII8000	Crosswind Block
43A	1489323	43A-SSVI7500	Crosswind Block Plate
43B	1489213	43B-SSVI3500	Crosswind Block Plate Screw (3 req)
44	1191845	44-5000SG	Crosswind Block Screw (2 req)
45	1529553	45-BTLIII8000HS	Housing Cover
46	1191903	46-5000SG	Housing Cover Screw (4 req)
47	1529554	47-BTLIII8000HS	Spool Assembly
48	1211625	48-5000SG	Click Tongue
48A	1211626	48A-5000SG	Click Tongue Washer
48B	1489327	48B-SSVI7500	Spool Click Screw
49	1211627	49-5000SG	Click Tongue Spring
51	1308112	51-CFT5000	Drag Retaining Ring
52	1529544	52-BTLIII8000	Drag Knob Assembly
56	1313883	56-CFT8000	Drag Washer (3 req)
57	1211646	57-7000BTL	Keyed Washer (3 req)
60	1489320	39A-SSVI7500	Thrust Washer
95B	1308115	95B-CFT5000	Rotor Locking Plate
98C	1489332	98C-SSVI7500	Clutch/Sleeve Assembly
132	1529545	132-BTLIII8000	Roller Washer
132A	1489334	132A-SSVI7500	Line Roller Washer (2 req)
226	1529546	226-BTLIII8000	Rear Cover
226A	1529386	226A-BTLIII3000	Rear Cover Screw
231	1529547	231-BTLIII8000	Crosswind Gear
231B	1489338	231B-SSVI7500	Screw Crosswind Gear
233	1529496	233-BTLIII5000	Bearing Cover Assembly

KEY NO.	PART NO.	PENN STYLE NO.	DESCRIPTION
1	1529548	1-BTLIII8000HS	Housing Assembly
1E	1529526	1E-BTLIII8000	Housing Slope
4	1190939	4-7000SG	A/R Dog
5	1190966	5-5000SG	Dog Spring
6	1190979	6-5000SG	Retaining Clip
8	1529549	8-BTLIII8000HS	Main Gear
8A	1191031	8A-7000SG	Shim
10	1313864	10-CFT8000	A/R Holder
11	1529528	11-BTLIII8000	Bushing
12	1313865	12-CFT8000	A/R Bushing Spring
15	1529550	15-BTLIII8000HS	Handle Assembly
19	1529551	19-BTLIII8000HS	Pinion Gear
19A	1489299	19A-SSVI7500	BUSHING

407-BTLIII8000HS Rev. 0 12-1-2019

1518039