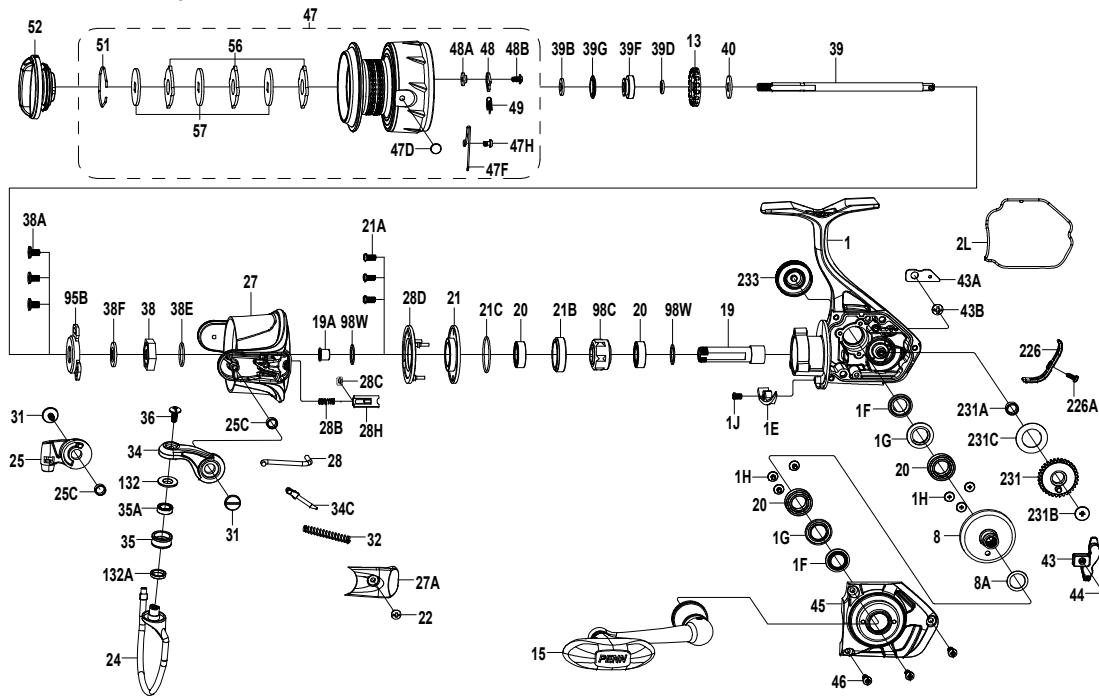




PARTS LIST FOR MODEL SSVI2500



KEY NO.	PART NO.	PENN STYLE NO.	DESCRIPTION
1	1489250	1-SSVI2500	Housing Assembly
1E	1489251	1E-SSVI2500	Housing Slope
1F	1489174	1F-SSVI3500	Main Gear Seal Ring (2 req)
1G	1489175	1G-SSVI3500	Seal Plate (2 req)
1H	1489176	1H-SSVI3500	Bearing Screw(6 req)
1J	1489177	1J-SSVI3500	Housing Slope Screw
2L	1489252	2L-SSVI2500	Housing Seal Ring
8	1489179	8-SSVI3500	Main Gear
8A	1191028	8A-3000SG	Shim
13	1489180	13-SSVI3500	Click Ratchet
15	1489253	15-SSVI2500	Handle Assembly
19	1489254	19-SSVI2500	Pinion Gear
19A	1191252	19A-3000SG	Pinion Bushing
20	1308050	20-CFT3000	Ball Bearing (4 req)
21	1489255	21-SSVI2500	Bearing Retainer (3 req)
21A	1489184	21A-SSVI3500	Bearing Retainer Screw (3 req)
21B	1489256	21B-SSVI2500	Collar
21C	1489257	21C-SSVI2500	Bearing Retainer 0 Ring
22	1203978	22-3000PUR	Bail Pivot Cover Screw
24	1489258	24-SSVI2500	Bail Wire
25	1489259	25-SSVI2500	Bail Holder
25C	1489260	25C-SSVI2500	Bushing (2 req)
27	1489261	27-SSVI2500	Rotor
27A	1489262	27A-SSVI2500	Bail Pivot Cover

KEY NO.	PART NO.	PENN STYLE NO.	DESCRIPTION
28	1489263	28-SSVI2500	Trip Lever
28B	1489193	28B-SSVI3500	Rotor Brake Spring
28C	1489264	28C-SSVI2500	Rubber Sleeve
28D	1489265	28D-SSVI2500	Rotor Brake
28H	1489266	28H-SSVI2500	Rotor Brake
31	1489267	31-SSVI2500	Bail Arm Screw (2 req)
32	1489268	32-SSVI2500	Bail Spring
34	1489269	34-SSVI2500	Bail Arm
34C	1489270	34C-SSVI2500	Pivot Arm
35	1489271	35-SSVI2500	Line Roller
35A	1489200	35A-SSVI3500	Roller Bearing
36	1251748	36-1000FRC	Bail Stud Screw
38	1489201	38-SSVI3500	Rotor Nut
38A	1489202	38A-SSVI3500	Rotor Nut Cover Screw (3 req)
38E	1489203	38E-SSVI3500	Rotor 0 Ring
38F	1489204	38F-SSVI3500	Main Shaft Seal Ring
39	1489272	39-SSVI2500	Main Shaft
39B	1489206	39B-SSVI3500	Thrust Washer
39D	1489207	39D-SSVI3500	Spool Bushing Seal Ring
39F	1489208	39F-SSVI3500	Spool Bushing
39G	1489209	39G-SSVI3500	Spool Seal Ring
40	1489210	40-SSVI3500	Main Shaft Washer
43	1489273	43-SSVI2500	Crosswind Block
43A	1489274	43A-SSVI2500	Crosswind Block Plate
43B	1489213	43B-SSVI3500	Crosswind Block Plate Screw
44	1489214	44-SSVI3500	Crosswind Block Screw
45	1489275	45-SSVI2500	Housing Cover Assembly
46	1192645	21A-5000SG	Bearing Retainer Screw (3 req)
47	1489276	47-SSVI2500	Spool Assembly
47D	1489217	47D-SSVI3500	Line Clip
47F	1489218	47F-SSVI3500	Line Clip Spring
47H	1489219	47H-SSVI3500	Line Clip Spring Screw
48	1489277	48-SSVI2500	Click Tongue
48A	1214226	48A-3000SG	Click Tongue Washer
48B	1489220	48B-SSVI3500	Spool Click Screw
49	1211605	49-3000SG	Click Tongue Spring
51	1308078	51-CFT3000	Drag Retaining Ring
52	1489278	52-SSVI2500	Drag Knob Assembly
56	1308080	56-CFT3000	Drag Washer (3 req)
57	1489222	57-SSVI3500	Keyed Washer (3 req)
95B	1489223	95B-SSVI3500	Rotor Nut Cover
98C	1489279	98C-SSVI2500	Clutch/Sleeve Assembly
98W	1204004	98Y-3000SG	Clutch Washer(2 req)
132	1489280	132-SSVI2500	Roller Washer
132A	1489281	132A-SSVI2500	Line Roller Bushing
226	1489282	226-SSVI2500	Rear Cover
226A	1489283	226A-SSVI2500	Rear Cover Screw
231	1489284	231-SSVI2500	Crosswind Gear
231A	1489229	231A-SSVI3500	Crosswind Gear Bushing
231B	1489230	231B-SSVI3500	Crosswind Gear Screw
231C	1489285	231C-SSVI2500	Crosswind Gear Washer
233	1489286	233-SSVI3500	Bearing Cover Assembly

407-SSVI2500 Rev. 0 22-1-18

1481260