



Product: 36 INCH UNDER CABINET RANGE HOOD WITH 480CFM
Model Number: TUH3648

GENERAL PROPERTIES

Number of Speeds	3
CFM at Low / Medium / High	331 / 387 / 480
Noise Level	3
Noise Rating at Low / Medium / High	58 / 61 / 64
Ducted / Recirculating Convertible	Yes
Filter Type	Baffle Filter
Filter Qty	3
Lighting	2x1.5W warm white LED
Control Type	Button
Delay Function	Yes (5 mins)
Duct Size (in.)	7-11/16"
Duct Type	Round

PRODUCT DIMENSIONS & WEIGHTS

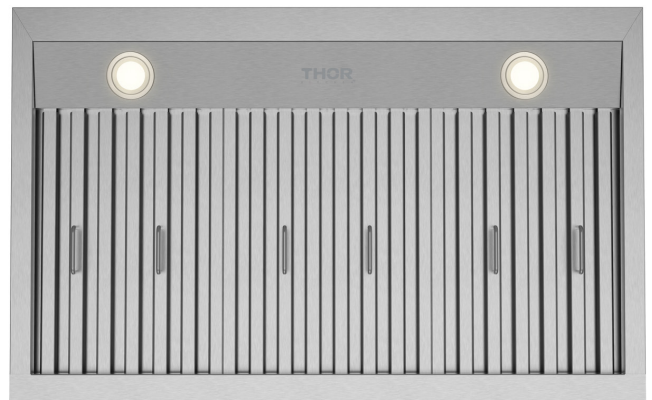
Product Dimensions (WxDxH) (in.)	35-1/4" × 22-1/16" × 10-1/2"
Cutout Dimensions (WxDxH) (in.)	35-3/8" × 22-1/4" × 10-11/16"
Minimum Distance Above Gas / Electric Cooking Surface	30" / 28"
Net Weight (lbs.)	51.8
Package Dimensions (WxDxH) (in.)	38-3/16" × 16-1/8" × 26"

FEATURES & BENEFITS

- + Durable Stainless Steel Finish:** Provides a sleek, modern look that complements any kitchen style while ensuring long-lasting strength and quality.
- + Efficient 480 CFM Ventilation:** Provides effective airflow to manage everyday cooking smoke, steam, and odors.
- + Dual Installation Options (Ducted or Ductless):** Convertible ducted or ductless installation for flexible setup.
- + Easy Push Button Controls:** Simple mechanical buttons for hassle-free operation.
- + Bright, Energy-Saving LED Lights:** Illuminates the cooking surface clearly while minimizing energy use.
- + Dishwasher-safe Baffle Filters:** Removable filters trap grease and are easy to clean for long-lasting performance.
- + Three-Speed Fan Settings:** Adjustable airflow to suit light simmering or more intensive cooking.

TECHNICAL DETAILS

Mounting Type	Undercabinet
Watts (W)	263W
Amperage (Dedicated)	15A
Volts (V)	120V
Frequency (Hz)	60Hz
Plug Type	US 3-prong plug
Power Cord Length (in.)	39-3/8"



Specifications subject to change without notice.



ACCESSORIES (INCLUDED)

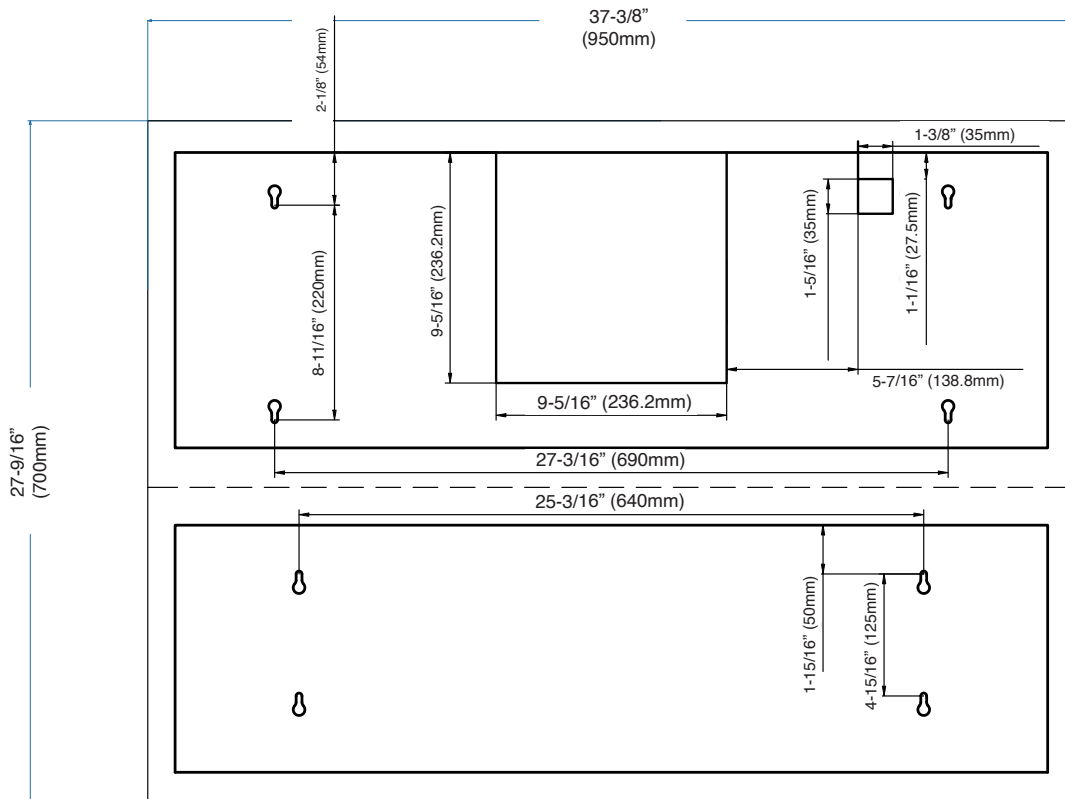
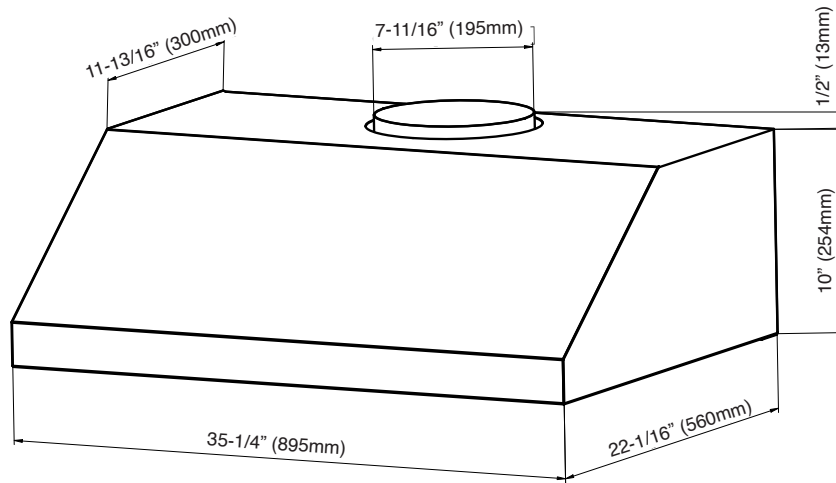
Mounting Brackets

Round Damper

ACCESSORIES (OPTIONAL)

Recirculating Kit

Charcoal Filter Replacement



Specifications subject to change without notice.