



Product: 30 INCH PROFESSIONAL INDUCTION RANGE IN STAINLESS STEEL

Model Number: RSI30

TECHNICAL DETAILS

| | |
|-------------------|---|
| Fuel Type | Electric |
| Installation Type | Freestanding |
| Watts (W) | 12000W |
| Required Circuit | 50A |
| Volts | 240V |
| Frequency | 60Hz |
| Control Type | Touch Screen |
| Plug Type | 50 Amp 4-Prong |
| Power Cord Length | Canada only. Not included in USA/Mexico |

FEATURES & BENEFITS

- + **Tilt Panel Touch Control:** A tilt panel touch control is an adjustable control panel that tilts for optimal viewing and ease of use.
- + **Multi-Function Oven:** Offers versatile cooking modes including Bake, Roast, Broil, Keep warm, Proof, Pizza, Self-Clean, and Airfry.
- + **4.8 cu. ft. Oven Capacity:** Spacious oven easily fits large baking sheets, roasting pans, and multiple dishes at once.
- + **Telescopic Rack:** Telescopic rack use ball bearing rack guides for an effortless glide in and out of the oven. This luxury feature allows the rack to extend fully without tipping over for smooth, easy handling of even the heaviest dishes, and adjusts to fit different rack support levels.
- + **Self-Cleaning Function:** Automatically burns off residue at high heat to simplify oven cleaning and reduce buildup.
- + **True Convection Fan:** The true convection fan blows heat from the 1300W heating element for more even heating and optimum cooking and baking results.
- + **Built-In Casters and Leveling Legs:** Easily reposition the range as needed, then level it for a secure fit and seamless countertop alignment.
- + **Smooth Induction Glass Top:** The sleek, frameless glass surface gives the range a clean, modern look while making cleanup effortless. Underneath, powerful induction technology delivers fast, precise, and energy-efficient cooking by heating only the pan—not the cooktop surface. The result: a stylish, easy-to-clean surface with advanced performance and added safety.
- + **Bridge Element Cooking:** Expands cooking flexibility by connecting two zones into one—ideal for griddles, grill pans, or oversized cookware.



Specifications subject to change without notice.



BLACK
RSI30-BLK



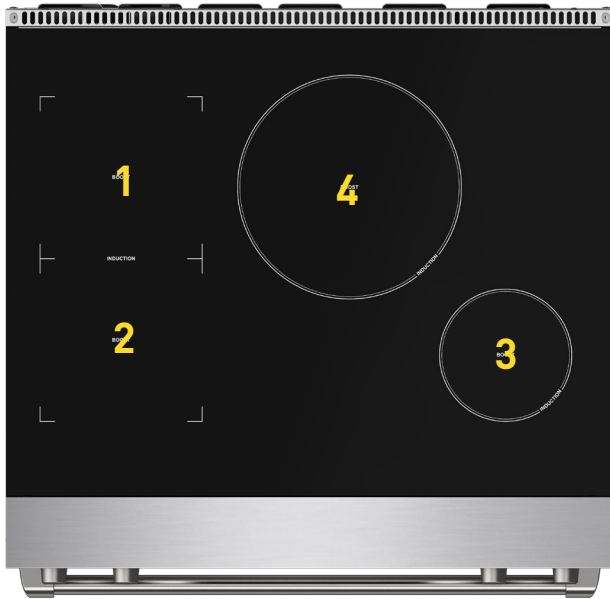
BLUE
RSI30-BLU



BRONZE
RSI30-BRZ



ROSE GOLD
RSI30-RSG



| OVEN | |
|-----------------------|---|
| Oven Capacity | 4.8 cu. ft. |
| Oven Control Features | Oven Light Control, Cook Time, Timer, Delay Start, Self Clean, Control Lock, Sabbath Mode, Temperature Unit |
| Oven Cooking Modes | Bake, Convection Bake, Multi-Rack Bake, Broil, Convection Roast, Warm, Pizza, Air Fry, Proof, Meat Probe |
| Bake Burner Power | 3,000W |
| Broil Burner Power | 3,500W |
| Convection | True Convection 800 W |
| Oven Lights | 2 |
| Oven Racks | Telescopic Rack x1, Standard Rack x1 |
| Oven Rack Material | Chrome Plated |
| Baking Sheet Size | Fits Standard Half Sheet Pan |
| Self Clean (Y/N) | Yes |
| Air Fry | Yes |
| Oven Internal Width | 23-3/4" |
| Oven Internal Depth | 19-1/2" |
| Oven Internal Height | 18" |

| COOKTOP PERFORMANCE | |
|------------------------------------|------------|
| Total Number Of Cooktop Elements | 4 |
| (1) Left Rear 8" | 1800/2500W |
| (2) Left Front 8" | 1800/2500W |
| (3) Right Front Zone 6-1/2" | 1400/1800W |
| (4) Middle 11" | 3000/4000W |
| Sync Burners | 3600W |
| Hot Surface Indicator Light | Yes |
| Heating Element on Indicator Light | Yes |
| Boost Mode | Yes |

Specifications subject to change without notice.

PRODUCT DIMENSIONS & WEIGHTS

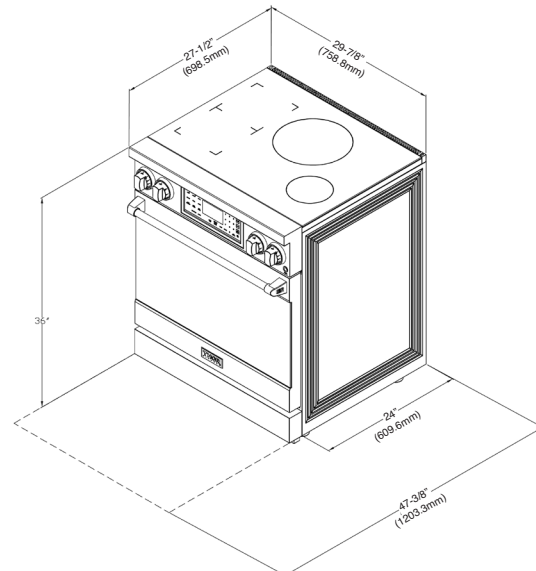
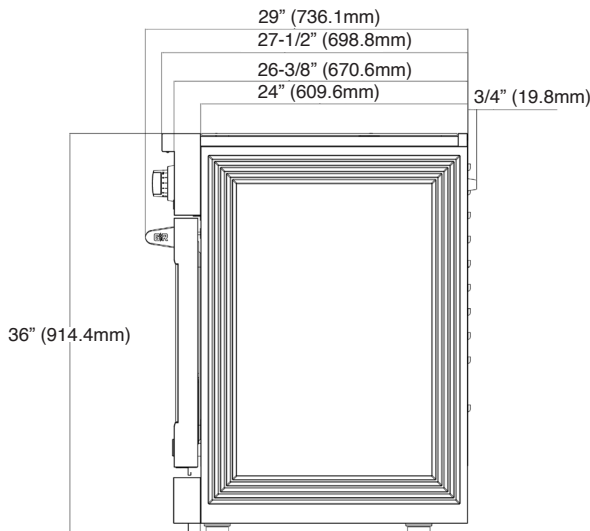
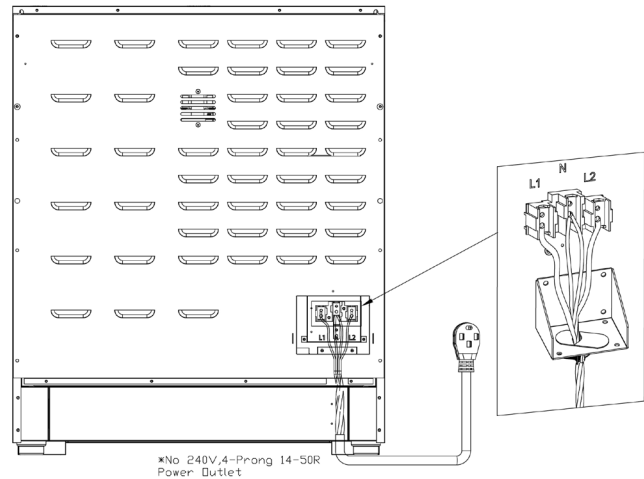
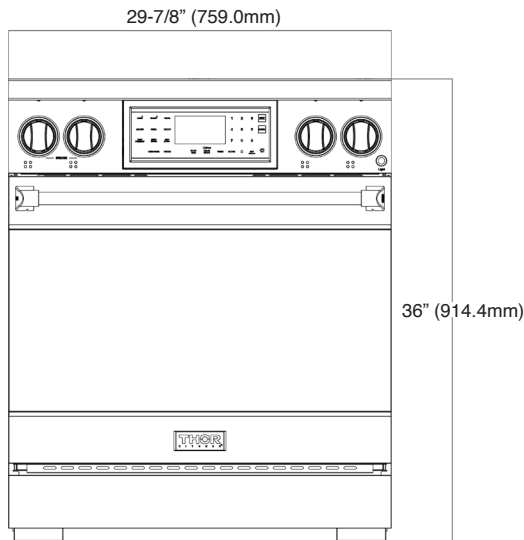
| | |
|---|-----------------------------|
| Product Dimensions (WxDxH) | 29-7/8" x 24-3/4" x 36" |
| Product Height (From Bottom To Top Of Back Splash) | 36" |
| Product Height (From Bottom To Top Of Side Panel) | 34-1/2" |
| Product Depth (From Back Panel To Bullnose) | 27-3/4" |
| Product Depth (From Back Panel To Control Panel) | 27" |
| Product Depth (From Back Panel To Side Panel Front) | 24-3/4" |
| Cutout Dimensions (WxDxH) | 30" x 24" x 36" |
| Adjustable Height | 3" |
| Net Weight | 214 lbs |
| Gross Weight | 258 lbs |
| Package Dimensions (WxDxH) (in.) | 33-1/9" x 30-1/8" x 45-2/7" |

ACCESSORIES (INCLUDED)

| |
|-------------------|
| 1 Telescopic Rack |
| 1 Standard Rack |
| 1 Broiler Pan |
| 1 Air Fry Basket |
| 1 Meat Probe |

ACCESSORIES (REQUIRED)

| |
|----------------------------------|
| US- Power Cord (Sold Separately) |
|----------------------------------|



Specifications subject to change without notice.