



Product: 30 INCH PROFESSIONAL INDUCTION RANGE IN BLACK
Model Number: RSI30B

TECHNICAL DETAILS

Fuel Type	Electric
Installation Type	Freestanding
Watts (W)	12000W
Required Circuit	50A
Volts	240V
Frequency	60Hz
Control Type	Touch Screen
Plug Type	50 Amp 4-Prong
Power Cord Length	Canada only. Not included in USA/Mexico

Specifications subject to change without notice.

FEATURES & BENEFITS

- + **Tilt Panel Touch Control:** A tilt panel touch control is an adjustable control panel that tilts for optimal viewing and ease of use.
- + **Multi-Function Oven:** Offers versatile cooking modes including Bake, Roast, Broil, Keep warm, Proof, Pizza, Self-Clean, and Airfry.
- + **4.8 cu. ft. Oven Capacity:** Spacious oven easily fits large baking sheets, roasting pans, and multiple dishes at once.
- + **Telescopic Rack:** Telescopic rack use ball bearing rack guides for an effortless glide in and out of the oven. This luxury feature allows the rack to extend fully without tipping over for smooth, easy handling of even the heaviest dishes, and adjusts to fit different rack support levels.
- + **Self-Cleaning Function:** Automatically burns off residue at high heat to simplify oven cleaning and reduce buildup.
- + **True Convection Fan:** The true convection fan blows heat from the 1300W heating element for more even heating and optimum cooking and baking results.
- + **Built-In Casters and Leveling Legs:** Easily reposition the range as needed, then level it for a secure fit and seamless countertop alignment.
- + **Smooth Induction Glass Top:** The sleek, frameless glass surface gives the range a clean, modern look while making cleanup effortless. Underneath, powerful induction technology delivers fast, precise, and energy-efficient cooking by heating only the pan—not the cooktop surface. The result: a stylish, easy-to-clean surface with advanced performance and added safety.
- + **Bridge Element Cooking:** Expands cooking flexibility by connecting two zones into one—ideal for griddles, grill pans, or oversized cookware.





STAINLESS STEEL
RSI30B-SS



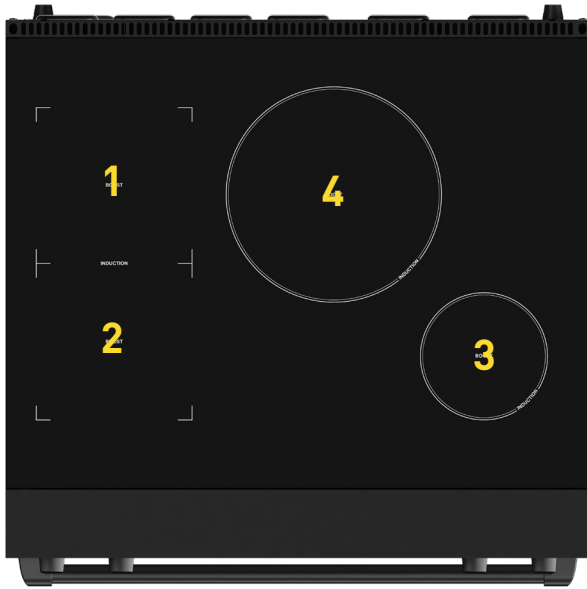
BLUE
RSI30B-BLU



BRONZE
RSI30B-BRZ



ROSE GOLD
RSI30B-RSG



OVEN	
Oven Capacity	4.8 cu. ft.
Oven Control Features	Oven Light Control, Cook Time, Timer, Delay Start, Self Clean, Control Lock, Sabbath Mode, Temperature Unit
Oven Cooking Modes	Bake, Convection Bake, Multi-Rack Bake, Broil, Convection Roast, Warm, Pizza, Air Fry, Proof, Meat Probe
Bake Burner Power	3,000W
Broil Burner Power	3,500W
Convection	True Convection 800 W
Oven Lights	2
Oven Racks	Telescopic Rack x1, Standard Rack x1
Oven Rack Material	Chrome Plated
Baking Sheet Size	Fits Standard Half Sheet Pan
Self Clean (Y/N)	Yes
Air Fry	Yes
Oven Internal Width	23-3/4"
Oven Internal Depth	19-1/2"
Oven Internal Height	18"

COOKTOP PERFORMANCE	
Total Number Of Cooktop Elements	4
(1) Left Rear 8"	1800/2500W
(2) Left Front 8"	1800/2500W
(3) Right Front Zone 6-1/2"	1400/1800W
(4) Middle 11"	3000/4000W
Sync Burners	3600W
Hot Surface Indicator Light	Yes
Heating Element on Indicator Light	Yes
Boost Mode	Yes

Specifications subject to change without notice.

PRODUCT DIMENSIONS & WEIGHTS

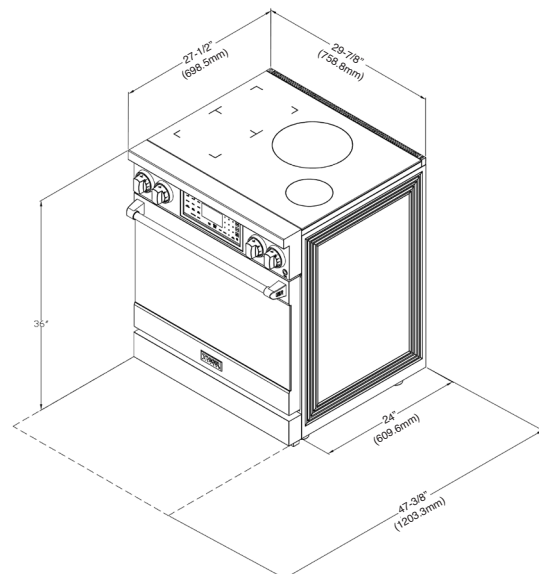
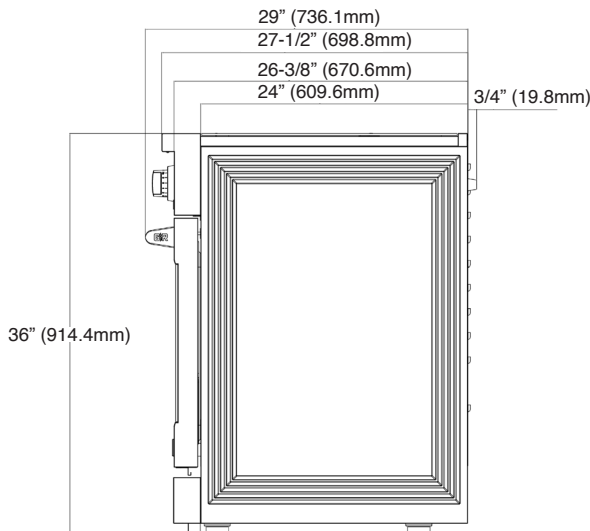
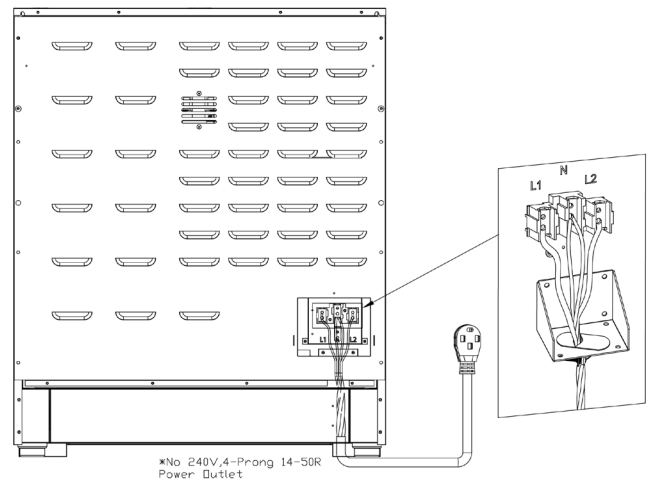
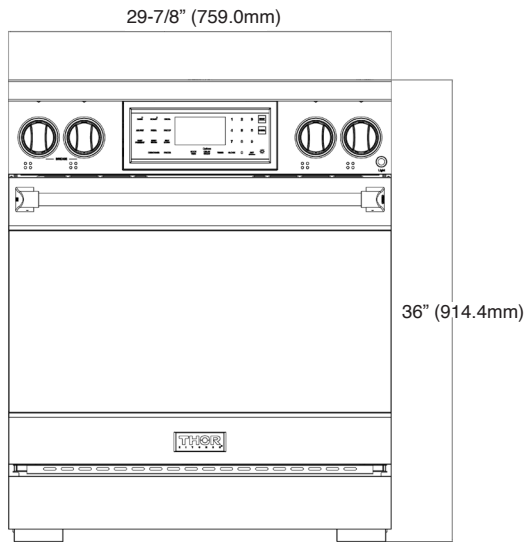
Product Dimensions (WxDxH)	29-7/8" x 24-3/4" x 36"
Product Height (From Bottom To Top Of Back Splash)	36"
Product Height (From Bottom To Top Of Side Panel)	34-1/2"
Product Depth (From Back Panel To Bullnose)	27-3/4"
Product Depth (From Back Panel To Control Panel)	27"
Product Depth (From Back Panel To Side Panel Front)	24-3/4"
Cutout Dimensions (WxDxH)	30" x 24" x 36"
Adjustable Height	3"
Net Weight	214 lbs
Gross Weight	258 lbs
Package Dimensions (WxDxH) (in.)	33-1/9" x 30-1/8" x 45-2/7"

ACCESSORIES (INCLUDED)

1 Telescopic Rack
1 Standard Rack
1 Broiler Pan
1 Air Fry Basket
1 Meat Probe

ACCESSORIES (REQUIRED)

US-Power Cord (Sold Separately)



Specifications subject to change without notice.