



**THOR**  
K I T C H E N<sup>®</sup>

# INSTALLATION INSTRUCTIONS

---

**24 Inch Outdoor Undercounter  
Beverage Cooler  
RBC24SSD**

**INSTALLATION MANUAL**

# **INSTALLATION MANUAL FOR BEVERAGE COOLER**

MODEL NO.  
**RBC24SSD**

**THOR**  
K I T C H E N<sup>®</sup>

Thanks for buying our beverage center, Hope our advanced product will give your wine a different joyful taste. Before use, please read and follow all safety rules and operating instructions

# TABLE OF CONTENTS

---

- WARNING.....4
- IMPORTANT SAFETY INSTRUCTIONS.....5
- ADJUSTABLE SHELVES .....6
- INSTALLATION DIMENSIONS..... 7

# WARNING

---

- To prevent damaging the door gasket, make sure to have the door all the way opened when pulling shelves out of the rail compartment.
- The appliance must be positioned so that the plug is accessible. Release the electric cord. Move your cabinet to its final location. Do not move your Cabinet while loaded with wine. You might distort the body. The wine cellar should be installed in a suitable place in order to avoid Touching the compressor with the hand. Children should be supervised to ensure that they do not play with the appliance.
- If the supply cord is damaged, it must be replaced by manufacturer of its Service agent or a similarly qualified person in order to avoid a hazard.

This appliance can be used by children aged from 8 years and above and persons with reduced physical, sensory or mental capabilities or lack of experience and knowledge if they have been given supervision or not play with the appliance. Cleaning and user maintenance shall not be made by children without supervision.

Children aged from 3 to 8 years aren't allowed to load and unload beverage center.

To avoid contamination of wine, please respect the following instructions:

- Opening the door for long periods can cause a significant increase of the temperature in the compartments of the appliance.
- Clean regularly surfaces that can come in contact with bottles and accessible drainage systems.
- Clean water tanks if they have not been used for 48 h; flush the water system connected to a water supply if water has not been drawn for 5 days.
- If the refrigerating appliance is left empty for long periods, switch off, defrost, clean, dry, and leave the door open to prevent mould developing within the appliance.
- **WARNING:** Keep ventilation openings, in the appliance enclosure or in the built-in structure, clear of obstruction.
- **WARNING:** Do not use mechanical devices or other means to accelerate the defrosting process, other than those recommended by the manufacturer.
- **WARNING:** Do not damage the refrigerant circuit.
- **WARNING:** Do not use electrical appliances inside the food storage compartments of the appliance, unless they are of the type recommended by the manufacturer.
- Do not store explosive substances such as aerosol cans with a flammable propellant in this appliance.
- **WARNING:** This refrigerating appliance is not suitable for freezing foodstuffs. This appliance is intended to be used in household and similar applications such as
  - staff kitchen areas in shops, offices and other working environments;
  - farm houses and by clients in hotels, motels and other residential type environments;
  - bed and breakfast type environments;
  - catering and similar non-retail applications.
- **WARNING:** To avoid a hazard due to instability of the appliance, it must be fixed in accordance with the instructions.

**PLEASE DON'T TRY TO PLUG INTO OR EXTENSION THE CABLE IN ANY CASE.**

# IMPORTANT SAFETY INSTRUCTIONS

## ⚠WARNING⚠

To reduce the risk of fire, electrical shock, or injury when using your appliance, follow these basic precautions:

- Read all instructions before using the beverage center.
- **DANGER or WARNING:** Risk of child entrapment.  
Child entrapment and suffocation are not problems of the past. Junked or abandoned appliances are still dangerous . . . even if they will “just sit in the garage a few days”.
- **Before you throw away your old beverage center:** Take off the door. Leave the shelves in place so that children may not easily climb inside.
- Never allow children to operate, play with, or crawl inside the appliance.
- Never clean appliance parts with flammable fluids. The fumes can create a fire hazard or explosion.
- Do not store or use gasoline or any other flammable vapors and liquids in the vicinity of this or any other appliance. The fumes can create a fire hazard or explosion.
- **If the refrigerant of these appliances are R600a , Flammable and explosive articles should not be put in or near the cabinet, to avoid the fire or explode caused.**



# CYCLOPENTANE

**DANGER** — Risk of fire or explosion.  
Flammable refrigerant used. To be repaired only by trained service personnel. Use only manufacturer-authorized service parts. Any repair equipment used must be designed for flammable refrigerants. Follow all manufacturer repair instructions. Do not puncture refrigerant tubing.

**CAUTION** — Risk of fire or explosion.  
Dispose of refrigerator properly in accordance with the applicable federal or local regulations. Flammable refrigerant used.

**CAUTION** — Risk of fire or explosion due to puncture of refrigerant tubing; follow handling instructions carefully. Flammable refrigerant used.

**DANGER** - Risque d'incendie ou d'explosion.  
Frigorigène inflammable utilisé. La réparation sera faite seulement par un personnel qualifié. Utiliser seulement des pièces de rechange autorisées par le fabricant. Tout équipement de réparation utilisé doit être conçu pour les frigorigènes inflammables. Suivre toutes les instructions de réparation du fabricant. Ne pas perforer la conduite de frigorigène.

**ATTENTION** - Risque d'incendie ou d'explosion. Éliminer convenablement conformément à la réglementation fédérale ou locale. Frigorigène inflammable utilisé.

**ATTENTION** - Risque d'incendie ou d'explosion dû à la perforation de la conduite de frigorigène. Suivre avec soin les instructions de manipulation. Frigorigène inflammable utilisé.

**Save these instructions-**

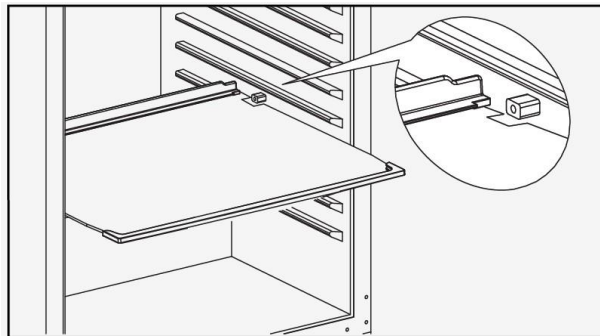
# ADJUSTABLE SHELVES

---

## ➤ ADJUSTABLE SHELVES

- To prevent damaging the door gasket, make sure to have the door fully opened when pulling shelves out of the rail compartment.
- When removing any of these shelves out of the rail compartment, Move the shelf towards the gap on the both sides and alignment with shelf support.
- Then, upwards the shelf and pull out it from the cabinet once the shelf support disengaged from the gap.

Note: Do not cover shelves with aluminum foil or any other material that will prevent air circulation within the appliance as this can adversely affect the internal temperature.



For easy access to the storage content, you must pull the shelves approximately 1/3 out of the rail compartment.

When removing or fitting any of these shelves out of the rail compartment first you must tilt the shelf as per the diagram below and simply pull out, or push in the shelf until it sits on the support brackets securely.

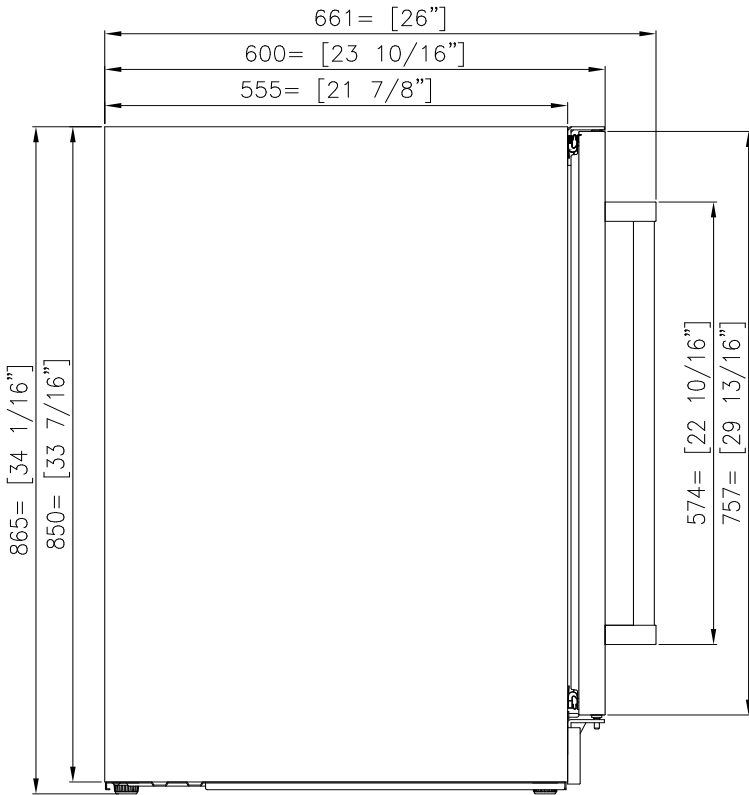
**NOTE:** The most energy-saving configuration requires food box not to be positioned in the product.

# INSTALLATION DIMENSIONS

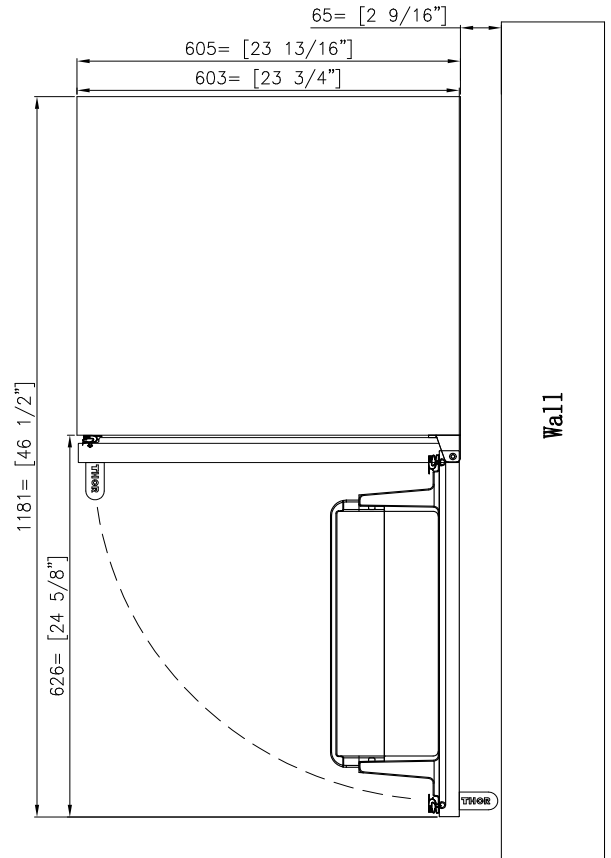
## ➤ INSTALLATION DIMENSIONS

**Be sure your new beverage center will fit**

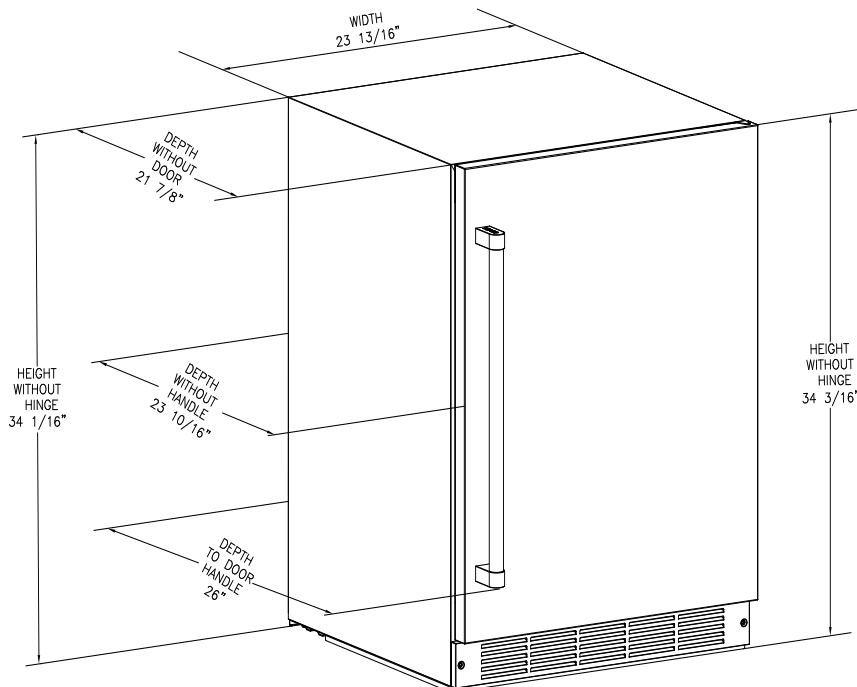
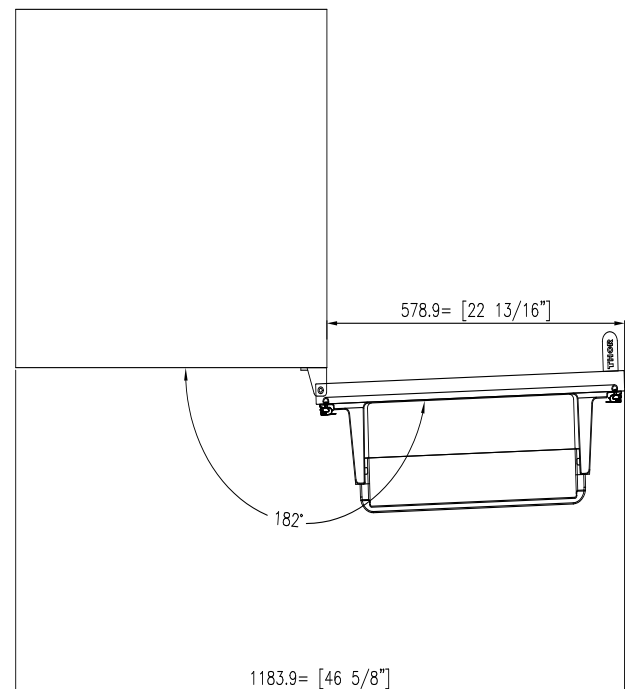
Don't wait until delivery to be sure your new beverage center will fit -both in your kitchen and through all doorways. This guide includes all pertinent measurements and clearances so you can buy with confidence.



## TOP OF BEVERAGE CENTER WITH DOOR OPEN 90°



## TOP OF BEVERAGE CENTER WITH DOORS OPEN 182°



# INSTALLATION DIMENSIONS

## Standard-Depth Beverage center

Standard-depth beverage center typically measure 25 to 29 inches in depth, as opposed to counter-depth beverage center that sit flush with cabinetry.

### Installation Clearances

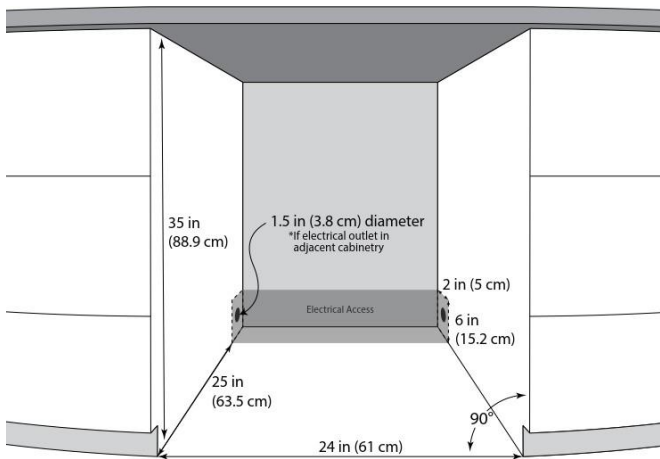
√ It is not recommended to install the appliance into a corner or directly beside a wall. The door will need to be opened more than 90° to allow full extension of the shelves. If it is necessary to place the unit next to a wall or in a corner, leave at least 2-4 inches (5-10 cm) of space between the wall and the appliance to allow for the door opening.

√ The cabinet opening must be at least 24 inches (61cm) wide by 35 inches (88.9 cm) high by 25 inches (63.5cm) deep.

√ If the electrical outlet is located inside adjacent cabinetry, cut a 1.5 inch (3.8 cm) diameter hole to admit the power cord. If the cabinet wall is metal, the hole edge must be covered with a bushing or grommet.

**For optimal usage and ability to open refrigerator doors completely, do not install next to a wall.**

*Please note: The abovedimensionsandcutoutinformationisfor planning purposes only.*



## Walk the delivery route

√ Identify the narrowest opening that the appliance will travel through, from outside the home to the location where it will be installed.

√ Appliance depth or width must be smaller than the width of the narrowest opening.

# We Stand Behind the Quality of Our Appliances.



Reliability and customer satisfaction are our top priorities. We offer a solid two-year warranty on both parts and labor. Enjoy professional-grade performance with the confidence that we've got you covered.

## Warranty Registration Made Easy.

**01** Scan the QR Code or visit [thorkitchen.com/register-your-product](http://thorkitchen.com/register-your-product).

**02** Input your purchase and product information and select register.

**03** That's it. You're all set. Enjoy!

Questions: [service@thorinternational.com](mailto:service@thorinternational.com)



WARRANTY



PARTS

