

X SERIES 30INCH COLUMN REFRIGERATOR PANEL READY

XRF30CRF

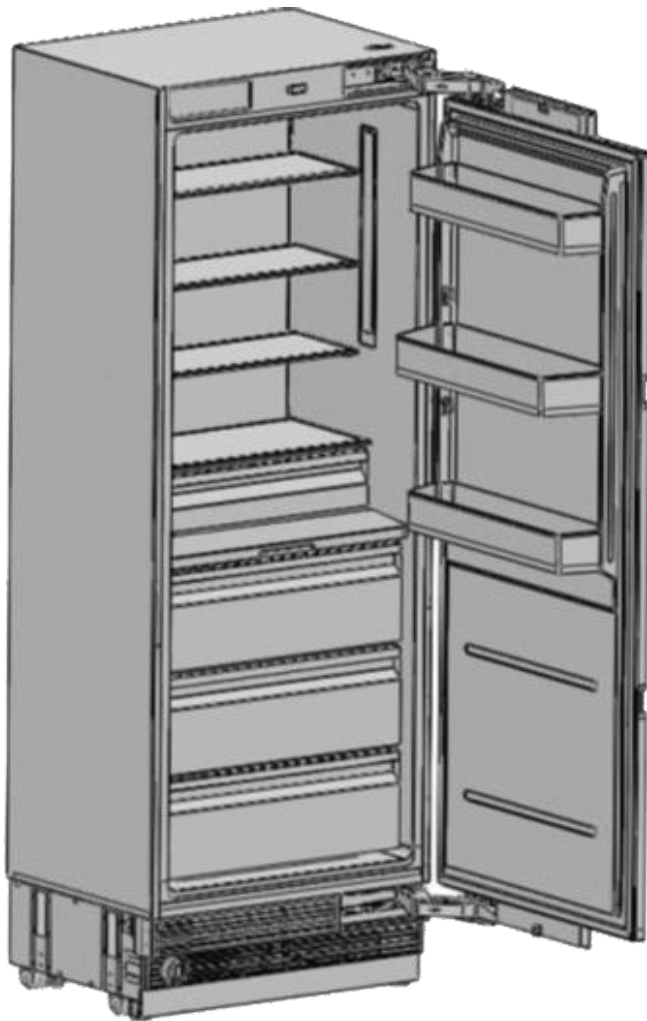
# INSTALLATION INSTRUCTIONS

**THOR**  
K I T C H E N<sup>®</sup>

**INSTALLATION INSTRUCTIONS**

**X SERIES 30 INCH COLUMN REFRIGERATOR  
PANEL READY**

**XRF30CRF**



**THOR**  
K I T C H E N<sup>®</sup>






<b>SYMBOLS AND THEIR MEANINGS</b> .....	5
<b>INSTALLATION PLACE</b> .....	8
<b>TOOL LIST</b> .....	11
<b>ALTERNATIVES FOR INSTALLATION</b> .....	12
<b>PREPARATION FOR INSTALLATION</b> .....	13
Cabin dimensions .....	13
Location of the electrical wiring.....	14
Location of the water system.....	15
Product dimensions.....	17
Installation dimension.....	18
Unpacking .....	22
Remove the Packaging Polystyrene material.....	23
Removing connectors on the rear wall .....	24
Removing mounting parts in the drawer compartment .....	25
Removing the vent hole assembly .....	26
<b>PRE-INSTALLATION</b> .....	27
Mounting the anti-tip brackets .....	27
Alternative anti-tip method .....	30
Preparing the water hose and the power Plug .....	31
<b>INSTALLATION TO THE CABIN</b> .....	32
Taking the refrigerator from the wooden pallet.....	32
Placing the refrigerator into the cabin.....	33
Adjusting the height of the refrigerator in the cabin .....	36
Adjusting the refrigerator according to the cabin flange.....	37
Screwing the side and upper brackets .....	39
<b>INSTALLING THE CABIN BOTTOM</b> .....	41
Water connection .....	41
Attaching the vent hole assembly .....	43
Attaching the decorative parts .....	44
<b>FURNITURE DOOR PREPARATION</b> .....	45
Choosing the door Thickness .....	45
Removing the mechanism covers .....	47
Removing the panel-adjustment mechanisms on the refrigerator .....	48
Preparing furniture door.....	49
Installing the furniture door .....	53

# TABLE OF CONTENTS

<b>HINGE ADJUSTMENT</b> .....	61
Adjusting the hardness of the hinges .....	61
<b>CHANGING THE DOOR OPENING DIRECTION</b> .....	62
Removing the furniture door .....	62
Removing and preparing the Inner door .....	65
Replacing the hinges .....	67
Air vent upper part direction change.....	69
Installing the door .....	72
Installing the dual cabin.....	73
Location of the Electrical Wiring.....	74
Location of the water system.....	75
Attaching the fasteners and connecting bracket .....	77
Adjusting the height of the refrigerator in the cabin .....	81
Screwing the bracket furniture on the cabin side wall.....	82
Screwing the bracket furniture on the cabin top wall .....	83
Attaching the decorative parts.....	84

## SYMBOLS AND THEIR MEANINGS

Symbols used in the installation manual are as follows.

	Important information or useful usage tips
	WARNING: Conditions that may damage the product or its operating functions
	ATTENTION: Conditions containing serious injury risk
	Conditions containing electric shock risk
	Packaging materials of the product have been manufactured from recyclable materials in accordance with our National Environment Regulations.

### Disposing the packaging materials

The package has been designed to protect the product during transport. The packaging materials used for the product do not harm the nature during disposal and they need to be recycled.

All plastic packaging materials, bags etc. must be disposed safely and kept out of the reach of children. Please return the packaging to your dealer.

### WARNING:

This installation manual has been prepared to help installation teams. The User Manual provided with the product must also be taken into consideration.

You may get seriously injured and your product may get damaged if you ignore the warnings given in this manual. Please read the following carefully.

### WARNING:

#### **R-600a Refrigerant**

This product contains R-600a isobutane refrigerant, which is a very eco-friendly natural gas. However, it is also flammable. Please follow the warnings given below:

- If the product has been transported horizontally, you must wait for 4 hours minimum before plugging it in.
- The following instructions must be followed during installation:
- Dimensions of the installation area must be suitable.
- Dimensions, features and position of the object used to support and fix the product to this area must be suitable.

## SYMBOLS AND THEIR MEANINGS

- Minimum clearances between product parts and surrounding structures must be suitable.
- Minimum dimensions and proper organization of ventilation holes must be observed.
- The product must be connected to the mains power, and corresponding connections of other components must be suitable.
- The product must be disconnectable from the power supply after installation.
- The socket or fuse must be accessible to de-energise the product.
- Extension cables or ungrounded (two-terminal) adapters must not be used.

### ATTENTION:

You must wear gloves and eye protectors when installing the product.

You must also take measures against high noise levels when drilling the floor or using a drill.

### ATTENTION:

Make sure that your product is suitable for your local mains.

### ATTENTION:

The product must be installed by a qualified technician according to the installation instructions.

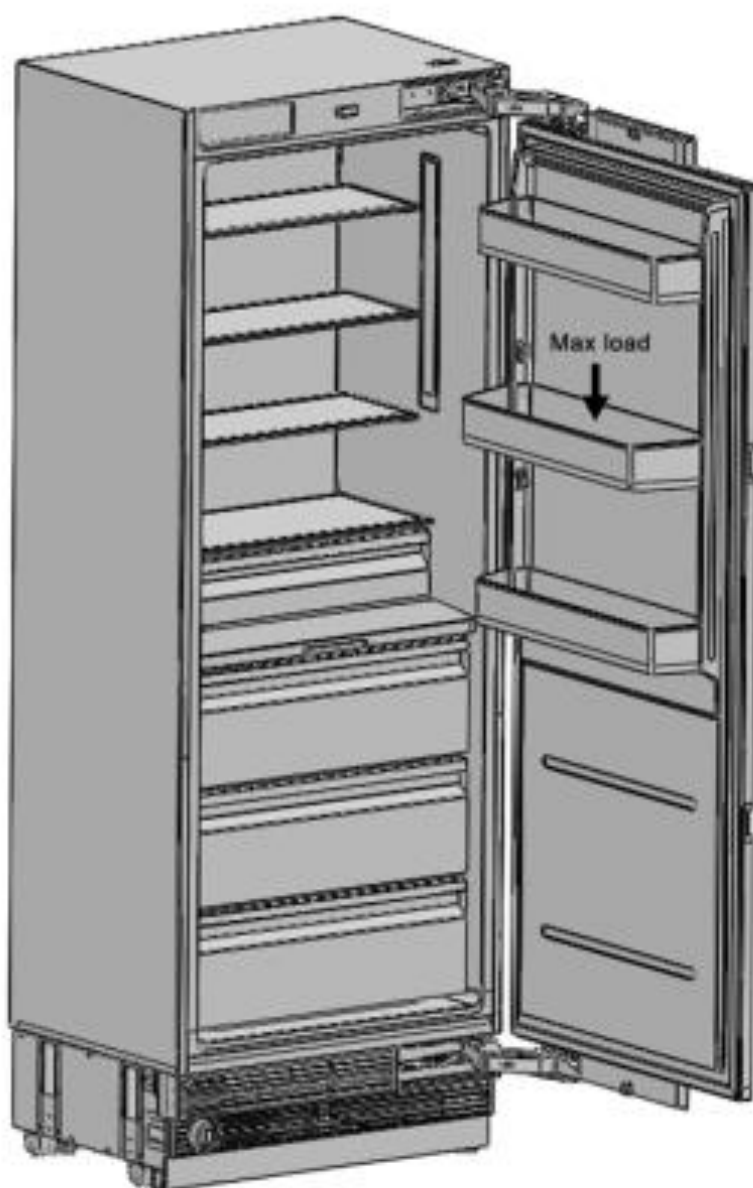
### WARNING:

The product may tip over since it is quite heavy. For this reason, precautions must be taken against tipping over.

The doors of the product must be kept closed until it reaches the destination and it must be transported in accordance with the installation instructions.

## Load bearing capacity of the door bins

Category	XRF30CRF
Max load	55lbs (20kg)



## INSTALLATION PLACE

You must follow the instructions below:

- The floor on which the product will be installed must be capable of bearing 1,200 pounds (544 kg) minimum.
- Kitchen floor and the bottom of the product must be at the same level. Otherwise, problems may occur with the air suction of the product.
- There must be no objects preventing the installation of the product at the back and on the side walls of the product's installation place.
- The power socket must be at the correct place.
- Dimensions of the furniture where the product will be installed must be in strict conformity with the dimensions given in the manual.
- Do not install the product with the fridge and the freezer are adherent next to each other. Otherwise, condensation and damage may occur in the product. (Please see "Dual Cabin Installation" for detailed information)
- Flatness of the floor where the product will be installed must be checked with a Bubble Level Tool.
- Installation area must not be subjected to direct sunlight and it must be away from heat sources, ovens, radiators etc.
- The ambient temperature must be between 55°F (13°C) and 110°F (43°C).  
Otherwise, function errors may arise when the product is running.
- If it is not possible to avoid installing the product near a heat source, the minimum clearances given below must be maintained between the product and the said source:
  - 11/4" (3 cm) from electric hobs or ovens
  - 12" (30 cm) from gas or fuel operated hobs or ovens

Please observe the following rules:

- The power socket or fuse must be easily accessible in case of an emergency; it must not be hidden behind the product.
- Plug or cable must not touch the back surface of the product.  
Otherwise, it may get damaged due to the vibration of the product.
- Do not connect the plugs of other appliances behind this product.  
If the humidity level is high where the product is used, corrosion may be seen on the outer surface of the product.

Keep the installation room dry and well-cleaned to avoid corrosion.



To avoid the risk of electric shock:

- Connect the plug to a grounded 3-pin socket.
- Do not remove the ground terminal of the plug.
- Do not use adapters.
- Do not use extension cables.

### **ATTENTION:**

Failure to follow these instructions may result in death, fire or electric shock. Connecting the grounding conductor of the equipment to an improper place may lead to electric shock. Please have the grounding checked by a qualified electrician or service technician if you have any doubt about the proper grounding of the product.

Installation, repair and other procedures performed by unqualified persons may cause danger. Before installing the appliance, make sure that the voltage, load and circuit current parameters on the data plate are in compliance with the power mains in your house.

The appliance is provided with a NEMA 5-15 P plug and a 3-pin power cable which is in the UL list and ready to be connected to a 120 V, 60 Hz power supply. Fuse is 15 A. The appliance must be connected to a 3-pin socket. The plug must be installed only by a licensed electrician.

If the electrical wiring or the electric power supply of the house needs alteration, the necessary procedures must be performed by a qualified electrician.

### **ATTENTION:**

Do not install your refrigerator:

- In open areas
- In environments where water is dripping
- In environments where temperature is lower than 55° F (0°C)

### **Furniture:**

Make sure that the furniture where you will install the appliance has been safely mounted in your kitchen. Your furniture must be connected to the floor and the wall properly and with suitable connections.

For the best installation, clearances between the furniture and the product must be in compliance with the values specified in the installation instructions. Side walls must be free of clearances and their surfaces must be flat. Minimum thickness of the side walls must be 5/8" (16mm).

Minimum thickness of the doors to be attached to the product must be 3/4" (19 mm) .

### **ATTENTION:**

## INSTALLATION PLACE

There is a stainless steel door and stainless kick plate option. Please consult the authored service.

### **Ventilation:**

Vent holes where the air enters and exits the unit must not be blocked or obstructed. In addition, you must periodically clean the dust and dirt that accumulate on these holes in time.

### **Electrical Connection:**

- Never use an extension cable.
- The power socket must definitely be grounded and checked by an authorized person.
- Location of the electrical wiring must comply with the dimensions specified in the manual.



## **ATTENTION: RISK OF ELECTRIC SHOCK**

Electrical grounding is necessary. This appliance is equipped with a three-pin plug to protect you against possible electric shocks.

- Do not remove the round grounding terminal from the plug.
- Do not use two-pin grounding adapters.
- Do not use extension cables to energize the product.



## **ATTENTION:**

Do not connect the grounding cable to the gas pipe. Please have the grounding checked by a qualified electrician if you are not sure about the grounding of the product. Do not install a fuse on the neutral line or grounding circuit.



## **WARNING:**

Please wait for 3-6 hours before energizing the product to protect it against possible damages. This way, the refrigerant and the lubricants in the system get balanced.

### **Water Connection**

- Pressure of the mains water must be in compliance with the values specified in the manual.
- Location of the water system must comply with the dimensions specified in the manual.



## **IMPORTANT INFORMATION:**

Bypass is recommended for the water filtering system if a reverse osmosis system is used.

Tools to be used when installing the product are as follows:



Cordless Drill



Safety Goggles



1/2" Wrench



Hammer



Ladder



Ø2.4 Drill bit



Ø8.0 Drill bit



Box Cutter



Safety Gloves



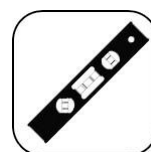
Tape measure



Star bit



1/4" Wrench Flat



Bubble Level Tool



Wheelbarrow

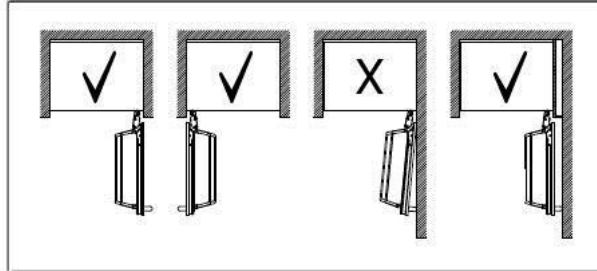


Tape

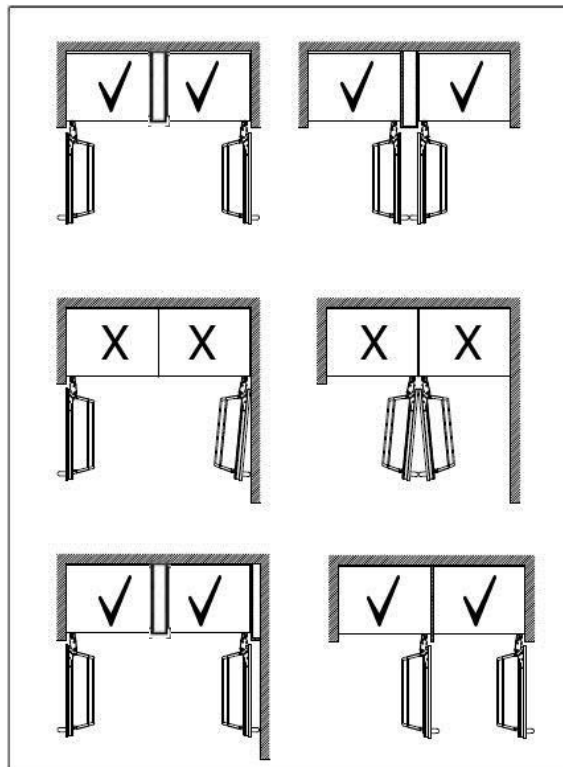
## ALTERNATIVES FOR INSTALLATION

The product can be placed in various ways based on the kitchen design. It must be installed at a place where it is ensured that the door can be opened and closed properly. If the doors cannot be opened 90 degrees at least, you cannot completely open the drawers inside the product.

- Single cabin placement methods



- Dual cabin placement methods



## PREPARATION FOR INSTALLATION

The instructions below have been prepared according to Built-in type.

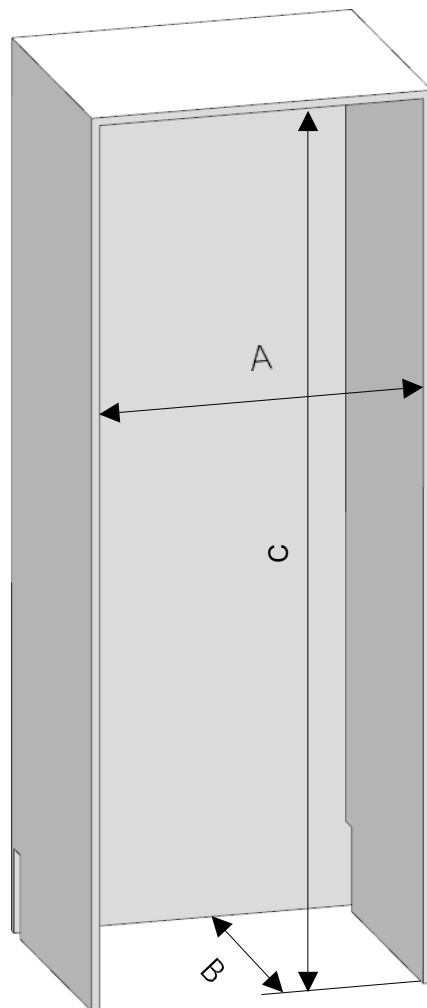
Built-in: The Appliance and Panels fully seat into the gap, and a material that can be their own box is jammed between the two kitchen cabinets or decorative columns.

This is the most common installation scenario.

### Cabin dimensions

- Cabin dimensions below must be checked before starting the installation.

Category		XRF30CRF
A	width	30" (762mm)
B	depth	25" (635mm)
C	height	84" (2134mm)



## PREPARATION FOR INSTALLATION

### Location of the electrical wiring

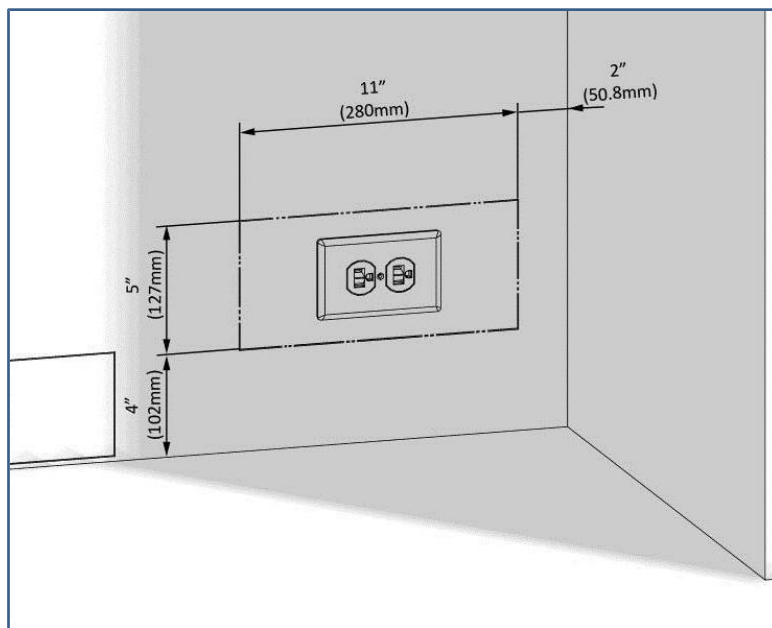
Location of the electrical wiring must be within the range given below.

#### **ATTENTION:**

Do not use extension cables or two-pin adaptors and do not remove the ground terminal of the grounding cable.

#### **ATTENTION:**

A qualified electrician must ensure that the poles of the socket are connected correctly. Verify that the grounding of the socket is correct.



## Location of the water system

The water connected to the water mains must be potable.

Location of the water system must be within the range given below.

Water system of the refrigerator must be connected to the water mains system in the house.

The user must be able to switch it on/off with the valve when necessary.

Objects that might pierce the water hoses or cause them to twist must not be present where the water line is installed.

Pressure of the water system must be between 25-80 psi (1.7-5.5 Bar).

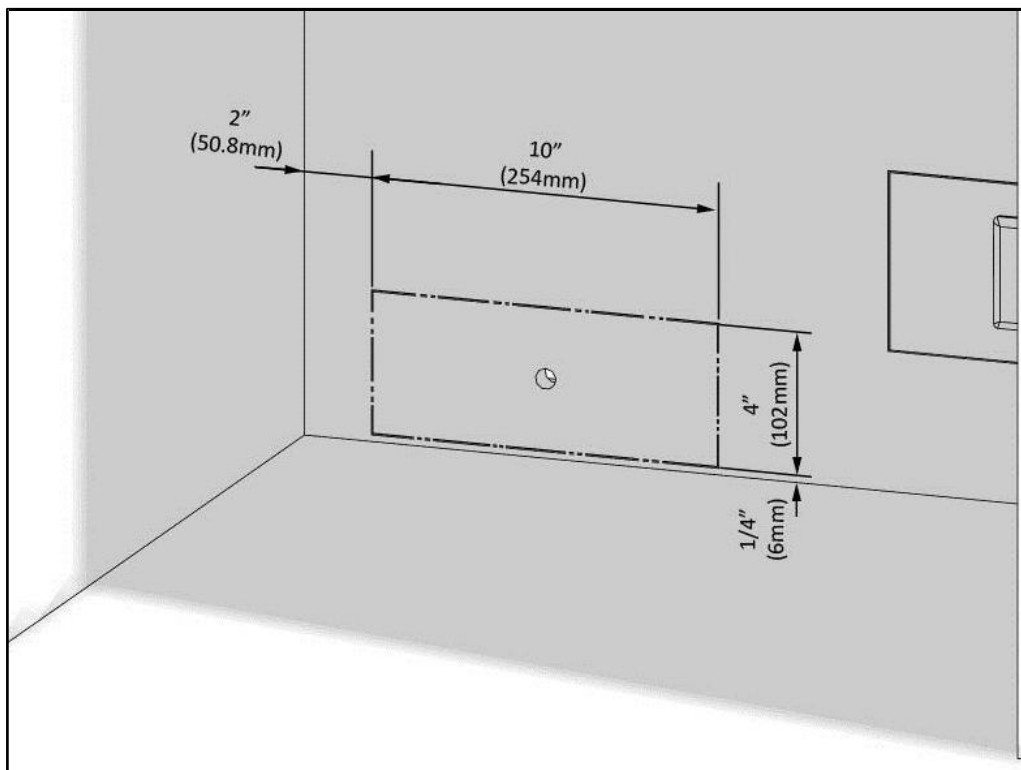
If the water pressure exceeds 80 psi, install a pressure limiting device or water impact protector to the inlet valve. Never install the product or operate the appliance if it is possible for the water pressure to exceed 120 psi.

## WARNING:

Make sure that there is no water leakage when making the water connections. Otherwise, there will be water on the floor and the furniture will get damaged.

You will need a hose with a minimum length of 60" (1.5 meters) and a diameter of 1/4" for water connections of the product during installation.

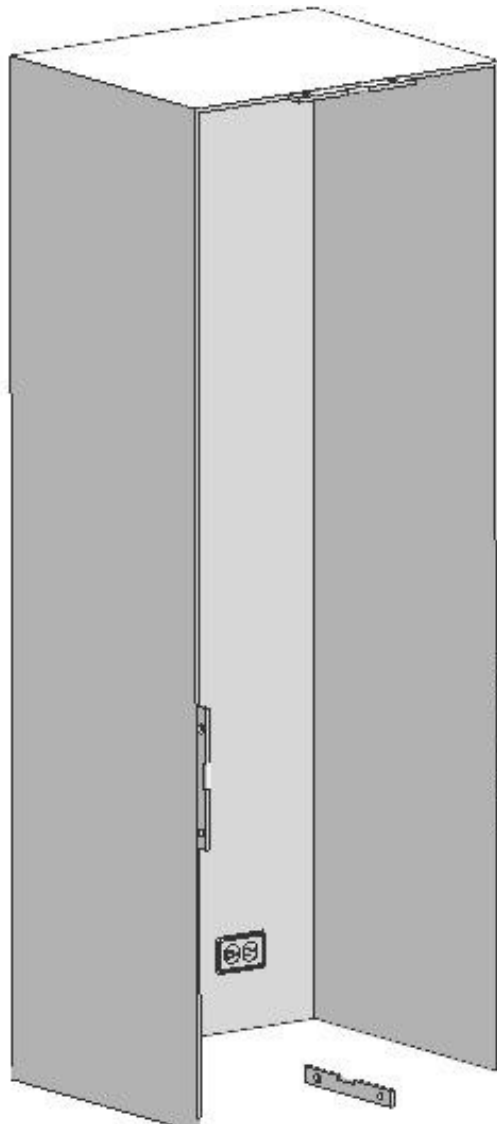
A connector that has a thread with an external diameter of 1/4" must be used to connect the hose end to the product. Before completing the installation, make sure that water flows and there is no water leakage.



## PREPARATION FOR INSTALLATION

### WARNING:

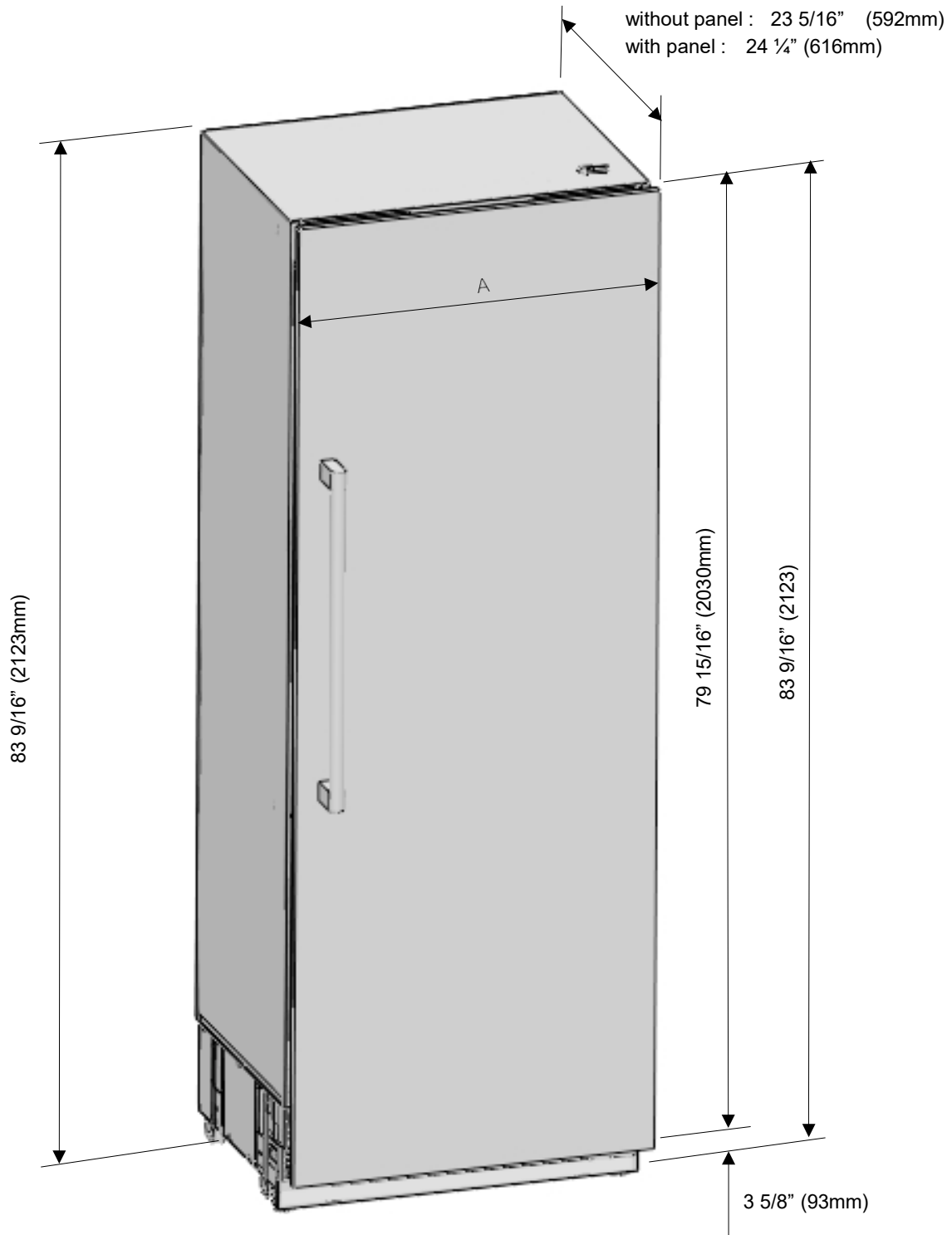
- Flatness of the floor where the product will be installed must be checked with a Bubble Level Tool.
- Uprightness of the furniture flanges must be checked with a Bubble Level tool.
- If the flatness and uprightness of the product is not proper, problems may arise with the installation.





## Product dimensions

Category	XRF30CRF
A	29 3/4" (756mm)



# PREPARATION FOR INSTALLATION

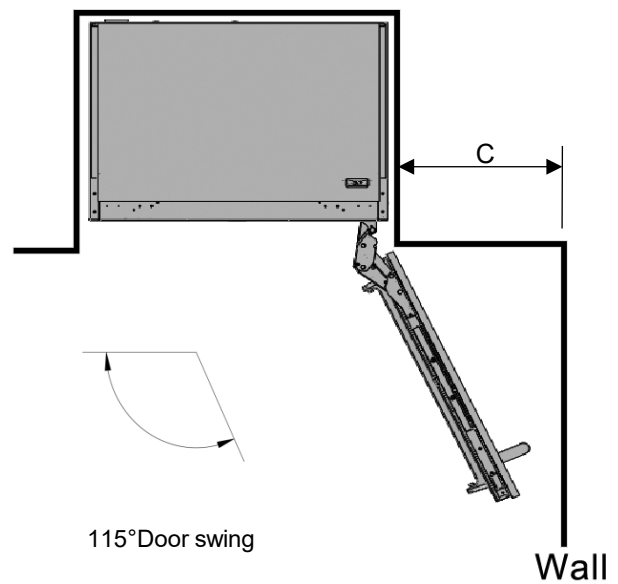
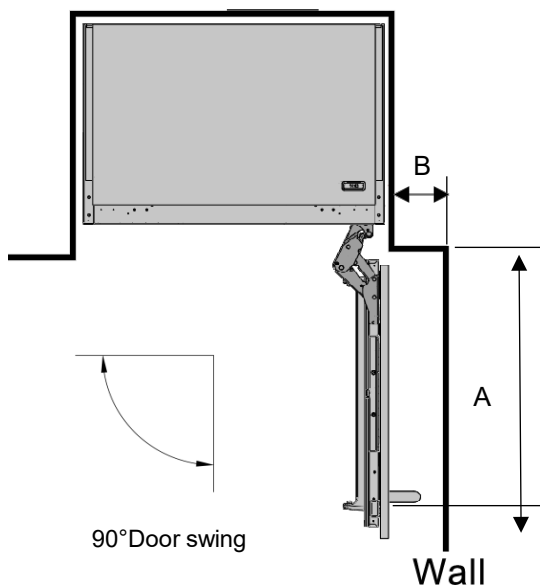
## Installation dimension

Category	XRF30CRF
A	32" (813)
B	4 3/8" (110)
C	16" (406)

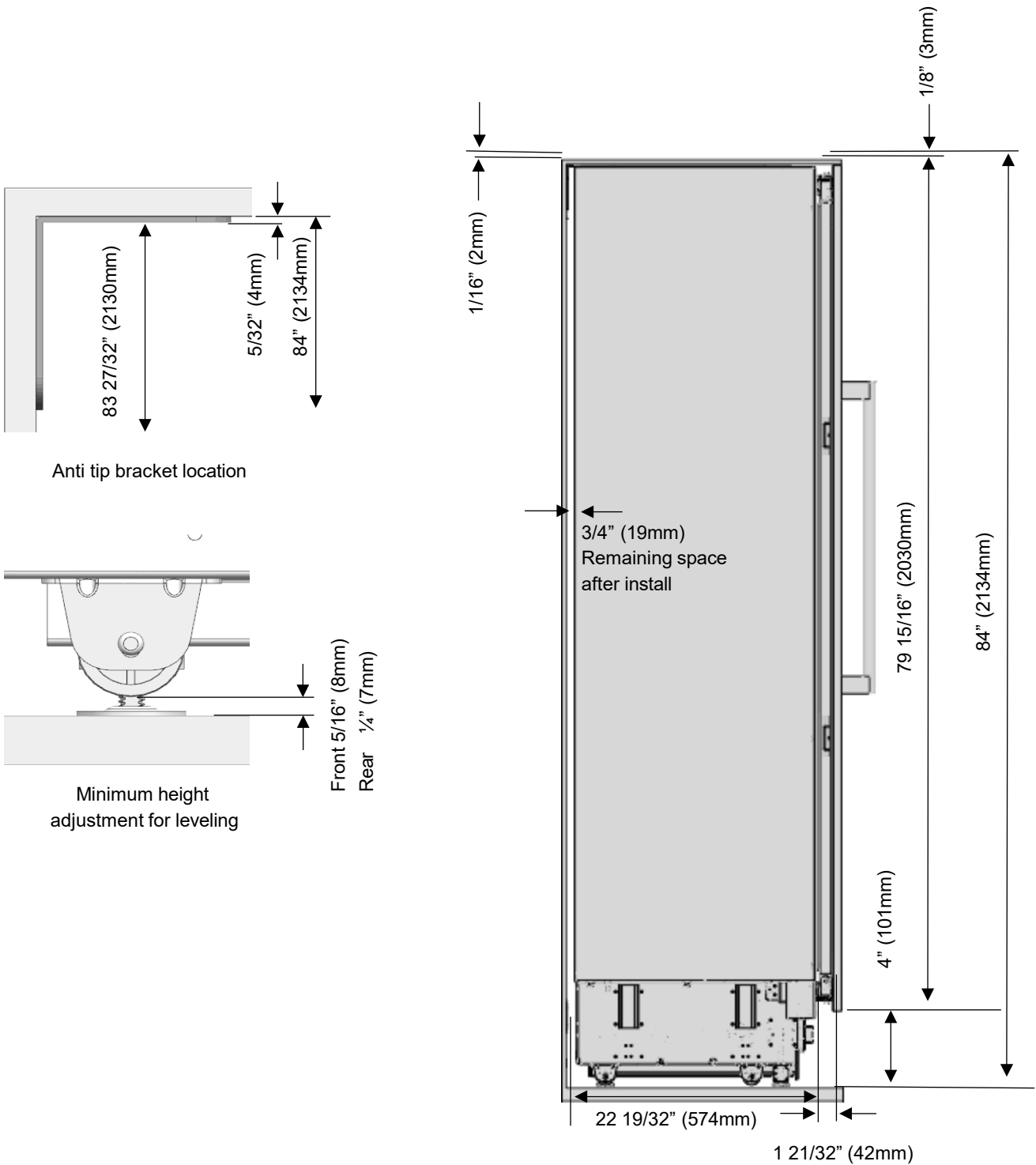
A : Depth of door (90° open) measured from front of door

B : Minimum door clearance to adjacent wall ( 90°- reduced internal access)

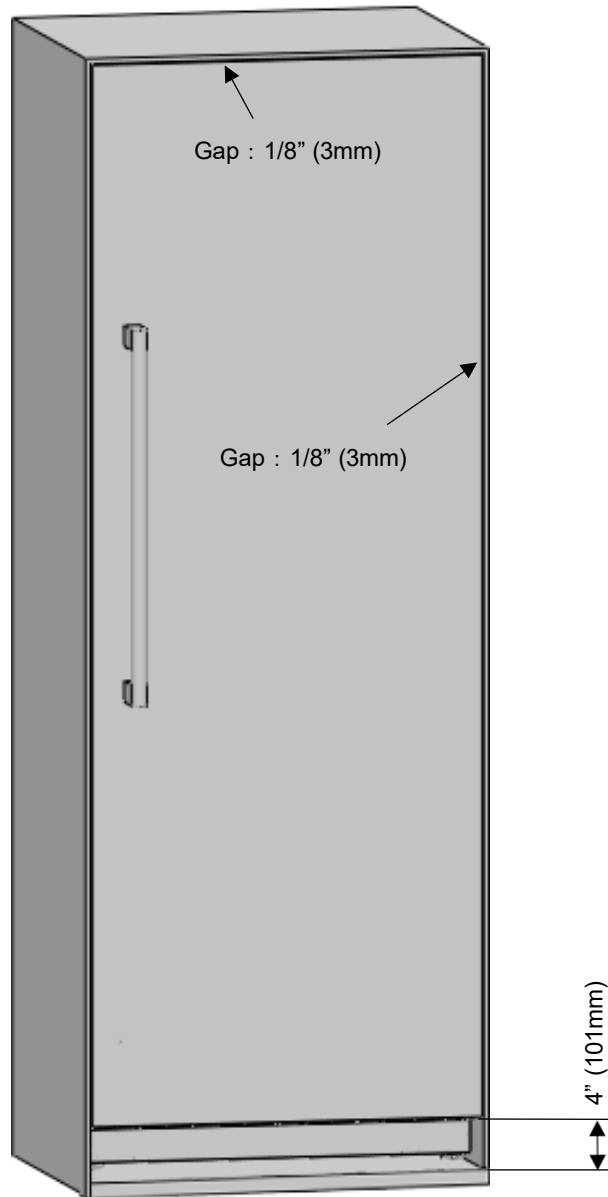
C : Minimum door clearance to adjacent wall ( 115°- full internal access)



# PREPARATION FOR INSTALLATION



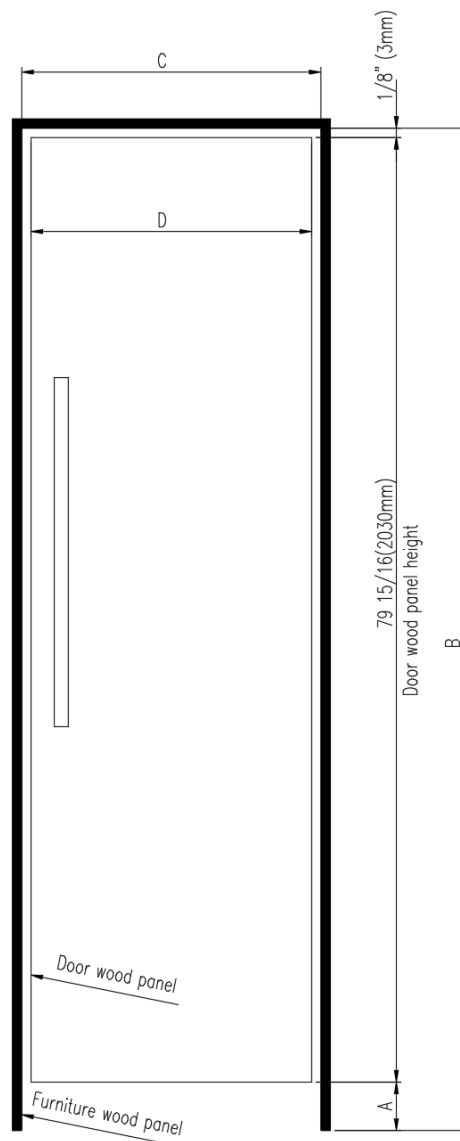
# PREPARATION FOR INSTALLATION



Height of the kitchen countertop based on the min/max. height of the cabin;

	A	B
standard	4" (101mm)	84" (2134mm)
minimum	3 3/4" (96mm)	83 13/16" (2129mm)
maximum	5 3/8" (136mm)	85 3/8" (2169mm)

# PREPARATION FOR INSTALLATION



Category	XRF30CRF
C	30" (762mm)
D	29 3/4" (756mm)

# PREPARATION FOR INSTALLATION

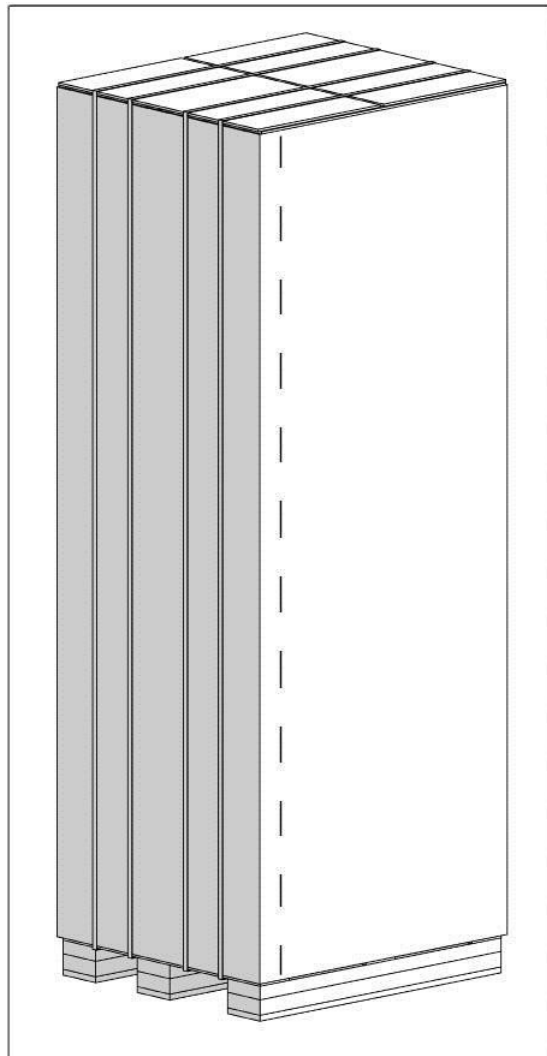
## Unpacking

### WARNING:

At least two persons must carry the refrigerator.

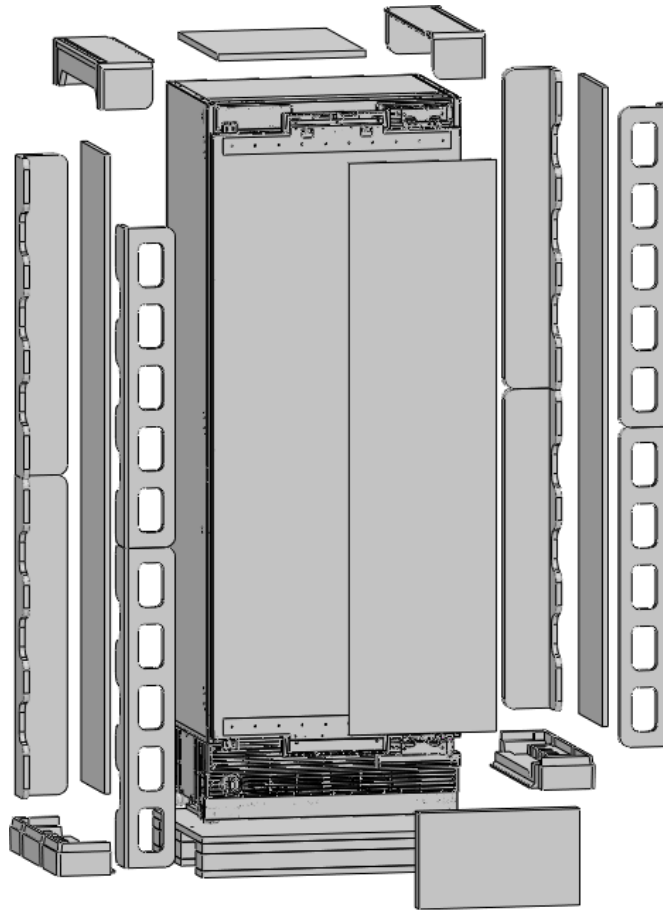


- Use a box cutter to remove the tapes.
- Cut the Packaging Board with a Box Cutter through the section illustrated in dotted lines and remove it.



## PREPARATION FOR INSTALLATION

- Remove the Packaging Polystyrene material.

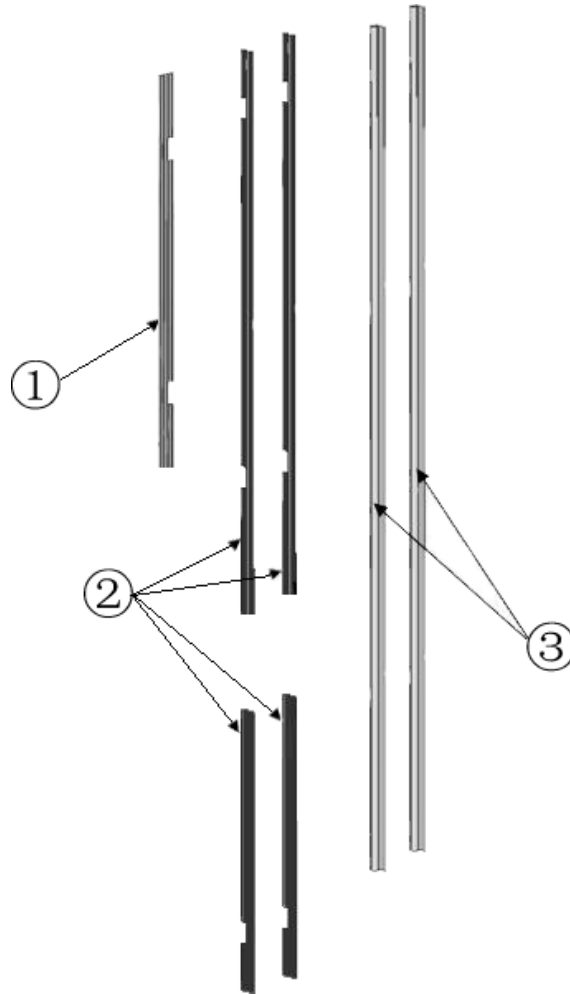


### ATTENTION:

Do not remove the tape of the upper door on the product until the refrigerator is placed into the cabin. Risk of tipping over.

# PREPARATION FOR INSTALLATION

## Removing the connectors on the rear wall



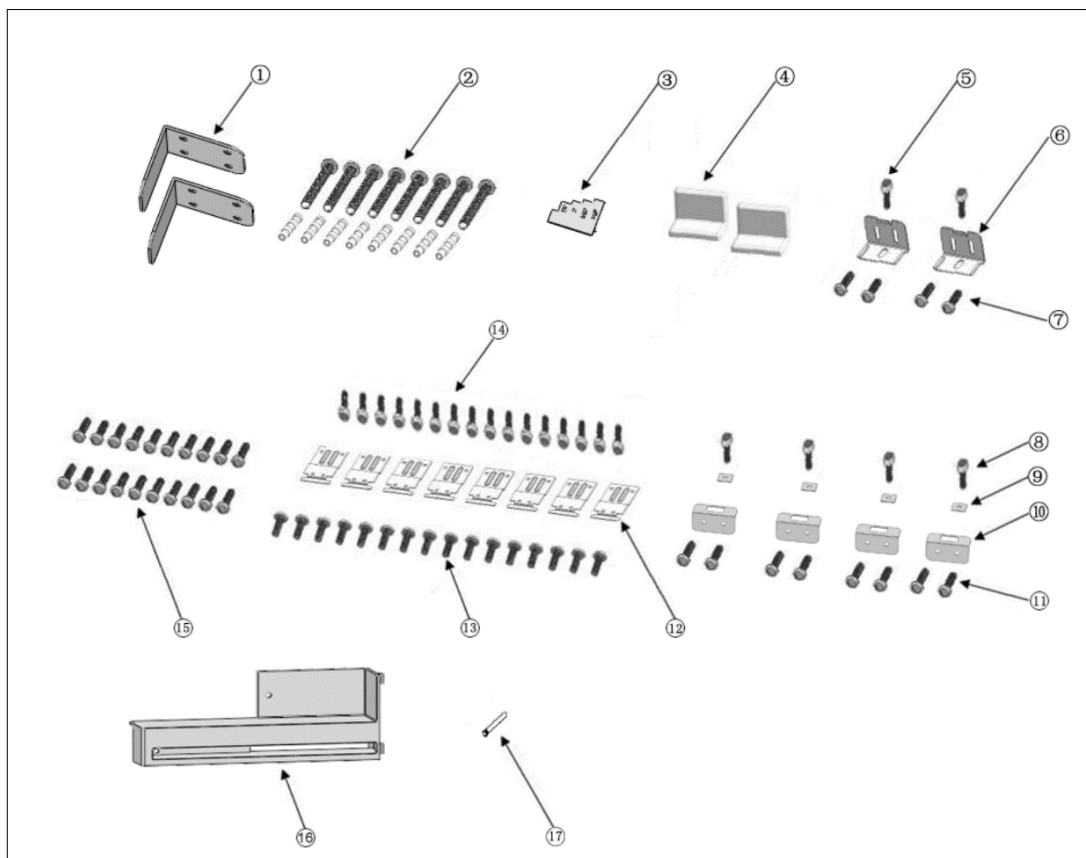
No	Part name	Spec	30
1	Trim furniture top	PVC extrusion L=457	0
		PVC extrusion L=609	0
		PVC extrusion L=762	1
2	Trim furniture side	PVC extrusion L=1,259	2
		PVC extrusion L=617	2
3	Trim door side	PVC extrusion L=1,781	2

√ Conference

Category	XRF30CRF
Abbreviation	30



## Removing mounting parts in the drawer compartment



No	Part name	Spec	30	Remark
1	Anti-tip bracket	T4.0, Cr+zn-coating	8	
2	Anti tip bracket screws and dowels	M8*L60	8	
3	Position adjustment jig	PS	1	
4	Cover furniture door bracket	abs	2	
5	Truss washer head	M4*12	2	
6	Bracket furniture door	T1.0, Cr+zn-coating	2	
7	Counter sunk head screw	ST4x14	4	
8	Truss washer head	M4*12	4	
9	Square washer	T1.0, Cr+zn-coating	4	
10	Center mounting bracket	T1.0, Cr+zn-coating	4	
11	Counter sunk head screw	ST4x14	8	
12	Bracket furniture	T1.0, Cr+zn-coating	8	
13	Counter sunk head screw	ST M4x14	16	
14	Truss washer head	M4*12	16	
15	Counter sunk head screw	ST M4x14	20	Furniture door hanger bracket
16	Air vent hinge part	ABS	1	Door opening direction change
17	90°limit pin	Ø4	1	Door 90°opening use



- Anti tip bracket screws
- dowels



- Truss washer head screw  
Spec : M4x12  
Fixing Refrigerator  
Such as cabinet and door  
(press part)

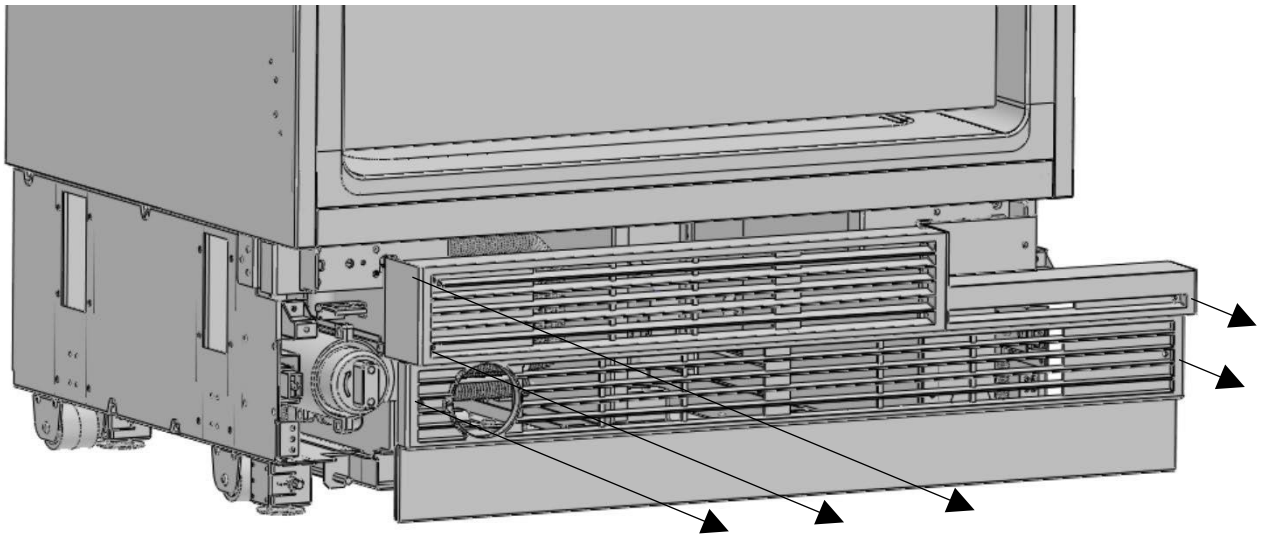


- Counter sunk head screw  
Spec : ST M4x14  
Fixing the cabin and  
furniture door (wood part)

## PREPARATION FOR INSTALLATION

### Removing the vent hole assembly

- Remove 5 screws to take out the Vent Hole Assembly.



Continue to install the product according to the instructions below. Additionally, consider national and local instructions regarding installation.

Please observe the following:

- For the USA, The National Electrical Code, ANSI/NFPA 70 – last version/State or Municipality directives and/or regional directives.
- For Canada, The Canadian Electrical Code, C22.1 – last version/State or Municipality directives and/or regional directives.

## Mounting the anti-tip brackets

### WARNING:

You must definitely use Anti-Tip Brackets to prevent the appliance from tipping over.

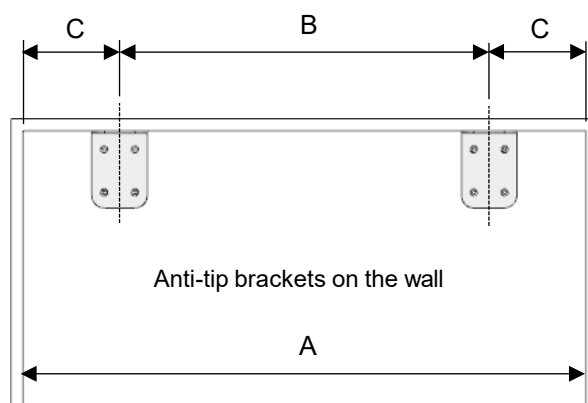
### WARNING:

Make sure that there is no electrical or water connection where the screws will be tightened and connections will be established.

### WARNING:

Please remember to use the necessary protective equipment when drilling holes on the wall and performing installation.

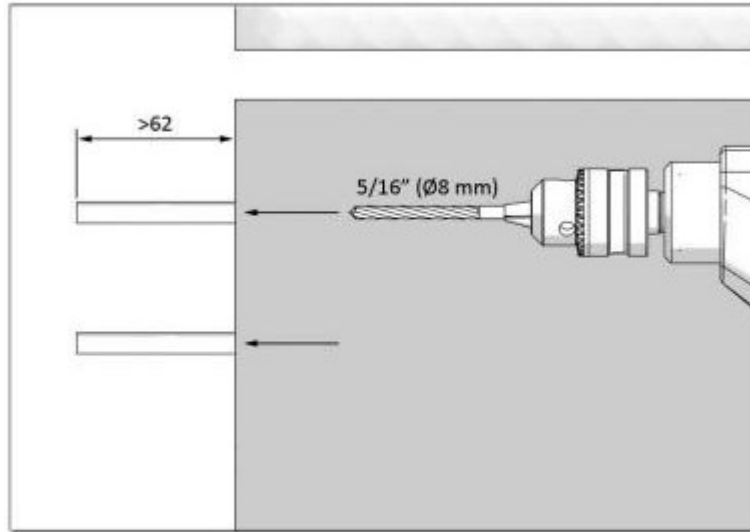
- Mark the wall for anti-tip brackets (item No.1).



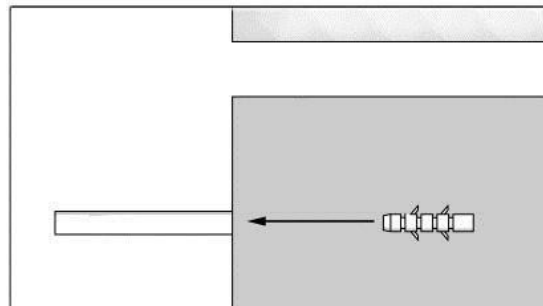
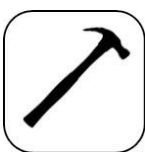
Category	XRF30CRF
A	30" (762mm)
B	23 5/8" (600mm)
C	3 3/16" (81mm)

## PRE-INSTALLATION

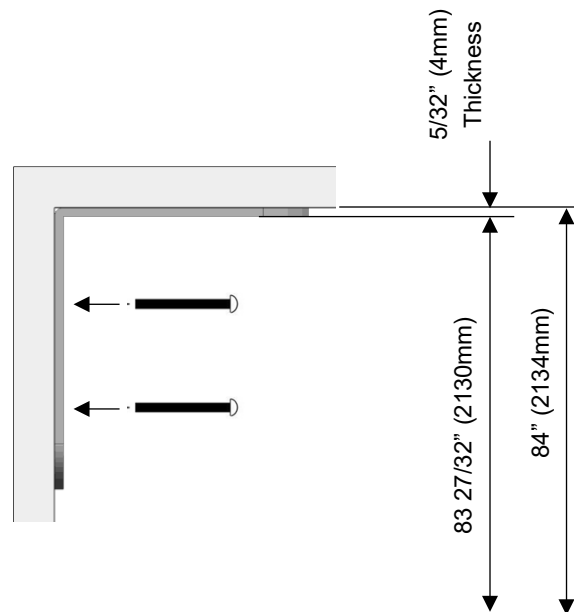
- Use a drill to create holes for dowels (item No.2) at the marked points. (5/16" - Ø8)



- Use the hammer to fit the dowels (item No.2)



- Fit the brackets (item No.1) into their places, using 4 screws for each. You must use all of the 2 brackets to ensure safety of the product.



### WARNING:

If you are not sure whether the existing connection parts are fit to the wall as securely as they should be, you can use alternative anti-tip methods.

If there is furniture at the back wall of the refrigerator, please make sure that the furniture is fixed to the wall. For this, you need to be sure that the back wall of the furniture is fixed to the concrete back wall with suitable connection parts.

## PRE-INSTALLATION

### Alternative anti-tip method

If the anti-tip brackets cannot be connected securely, you must use the alternative method below.

In this method, you can use wooden girders to avoid the risk of tipping

over. It must be installed as illustrated in the figure below.

There must be no clearance between the product and the wooden girder.

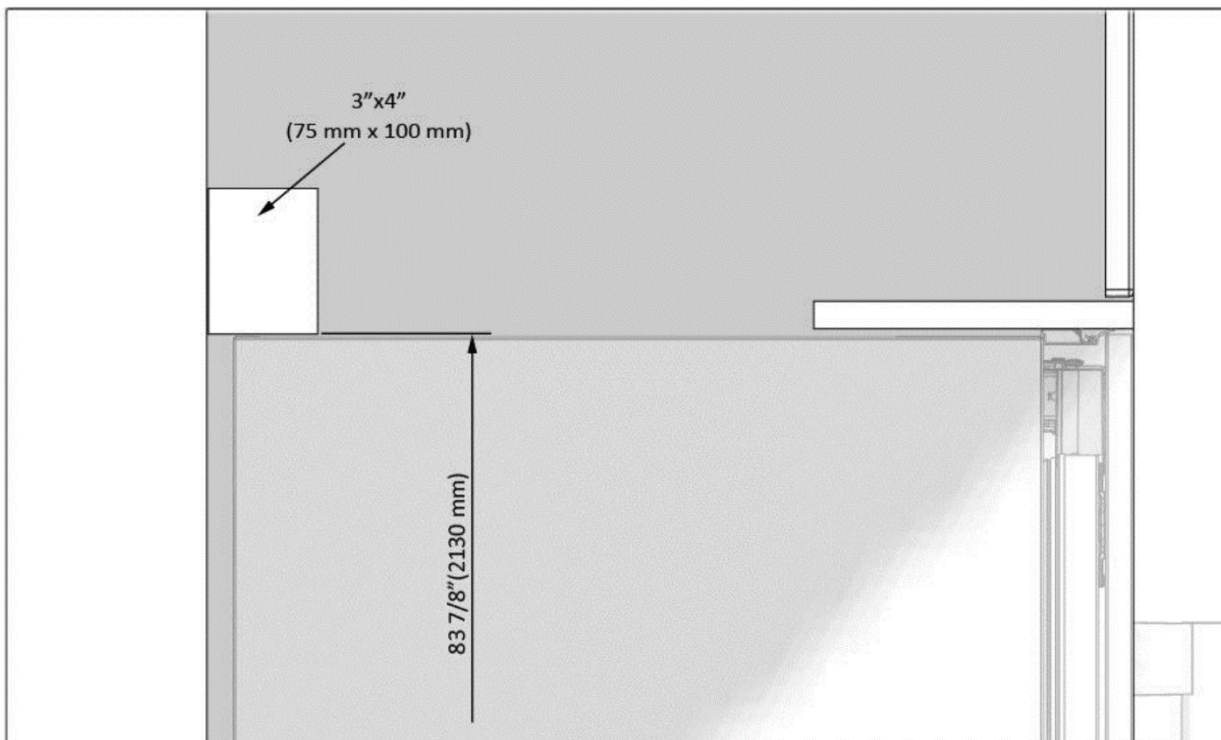
Minimum section dimensions of the wooden girder must be 3"x4" (75 mm x 100 mm). Width of the girder must be equal to the clearance where it will be installed.

An additional girder must be used if the niche depth is more than anticipated. The wooden girder must contact the product with a maximum size of 2" (50.8 mm).

To determine the location for the wooden girder, mark it on the rear wall, select suitable screws and connect safely.

### WARNING:

Number and features of the screws to be used for the wooden girder must be determined so that there is no safe connection.



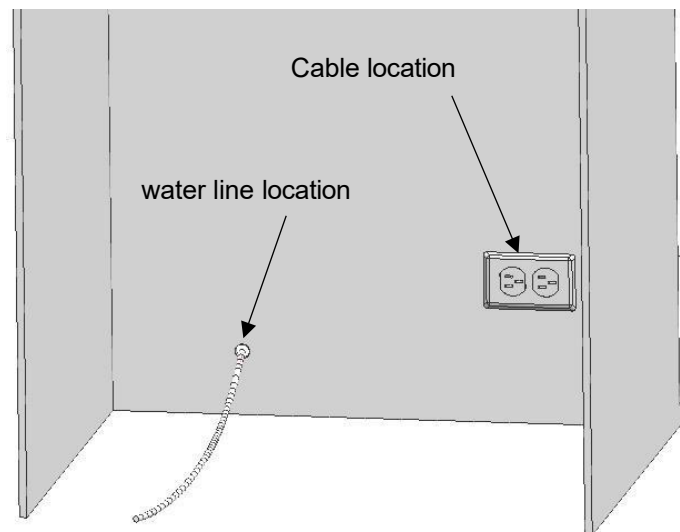
## Preparing the water hose and the power plug

You will need a hose with a minimum length of 60" (1.5 meters) and a diameter of ¼" for water connections of the product during installation.

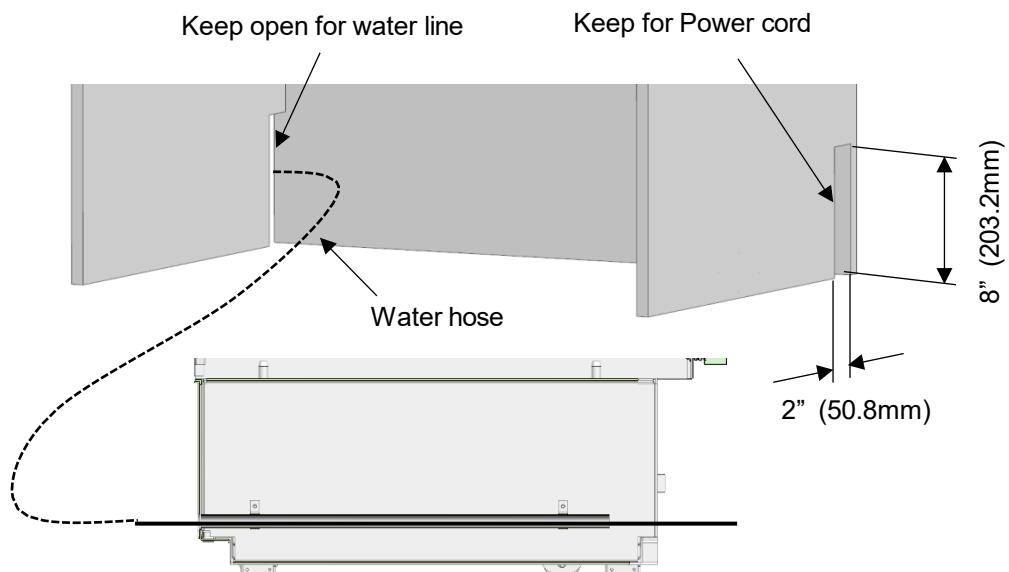
A connector that has a thread with an external diameter of ¼" must be used to connect the hose end to the product.

You can choose the method A or method B below to prevent the cable from getting jammed.

- Method A : Locate the water hose and power supply on the back



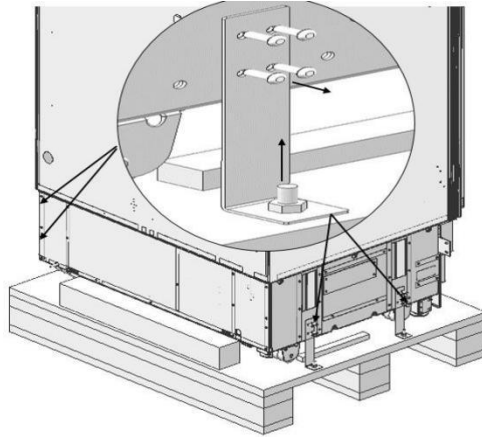
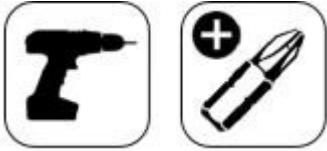
- Method B : Locate the water hose and power supply on the side



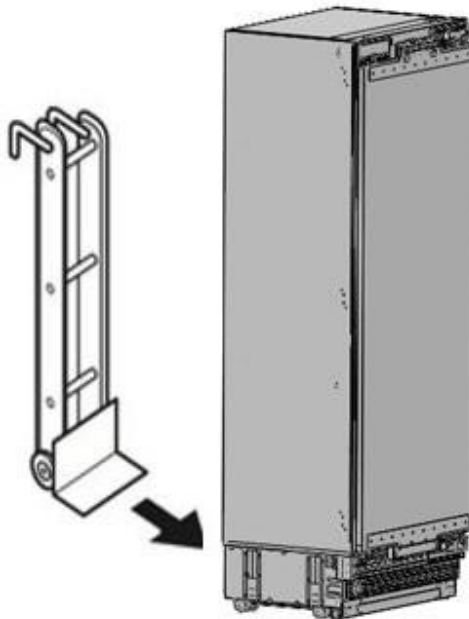
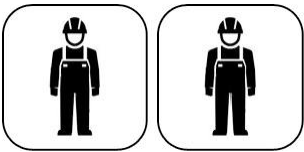
## INSTALLATION TO THE CABIN

### Taking the refrigerator from the wooden pallet

- Remove the brackets that connect the refrigerator to the WoodenPallet.



- Recline the refrigerator slowly and pull back with the help of the cart, and then land it.



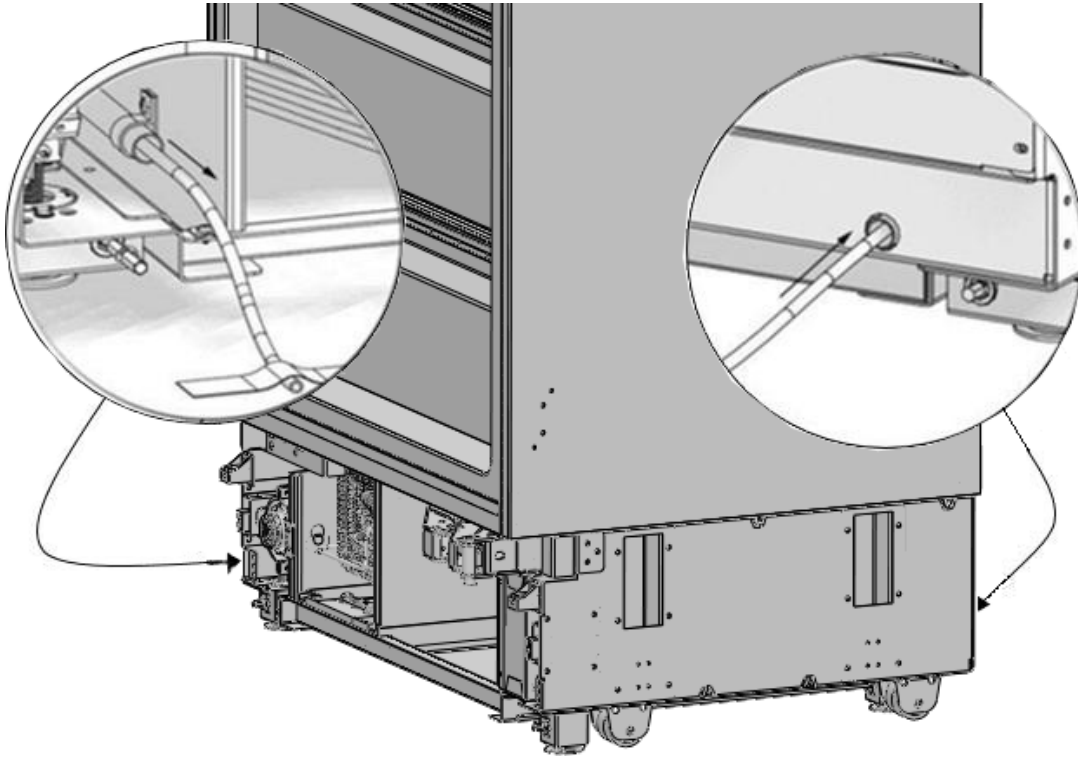
### ATTENTION

The risk of tipping over is high as of this point. You should not open the doors until the product is placed into the cabin.



### Placing the refrigerator into the cabin

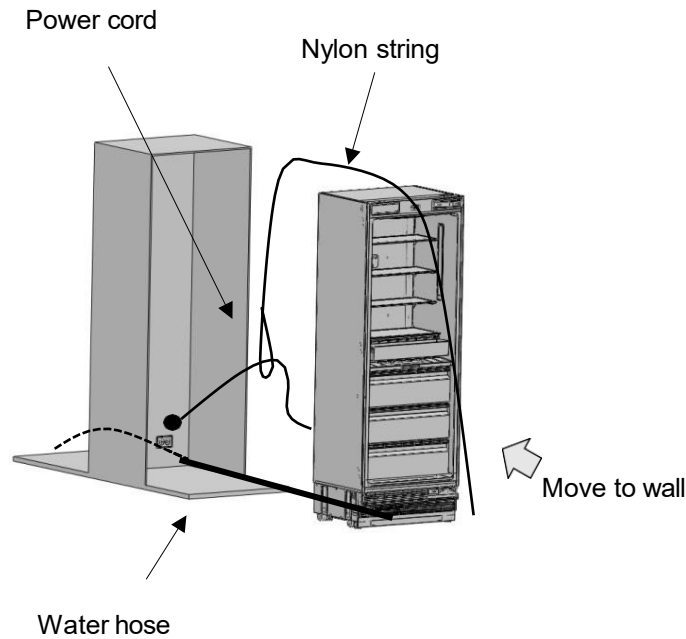
- Insert the mains water hose into the duct at the back and take it out from the front.



## INSTALLATION TO THE CABIN

### **i** IMPORTANT INFORMATION:

- Apply the below method to prevent the cable from getting jammed.



- Start the refrigerator and make sure it is energized.  
(You can check if the lamps compartment are on or off to see if the product is operating).

### **i** IMPORTANT INFORMATION:

You can use tape and similar protectors on parts you think this is necessary to protect the edges of the furniture when placing the product.

### **!** WARNING:

The plug of the product must be accessible after installation. If the plug is not accessible after installation, the power must be cut off from the main switch.

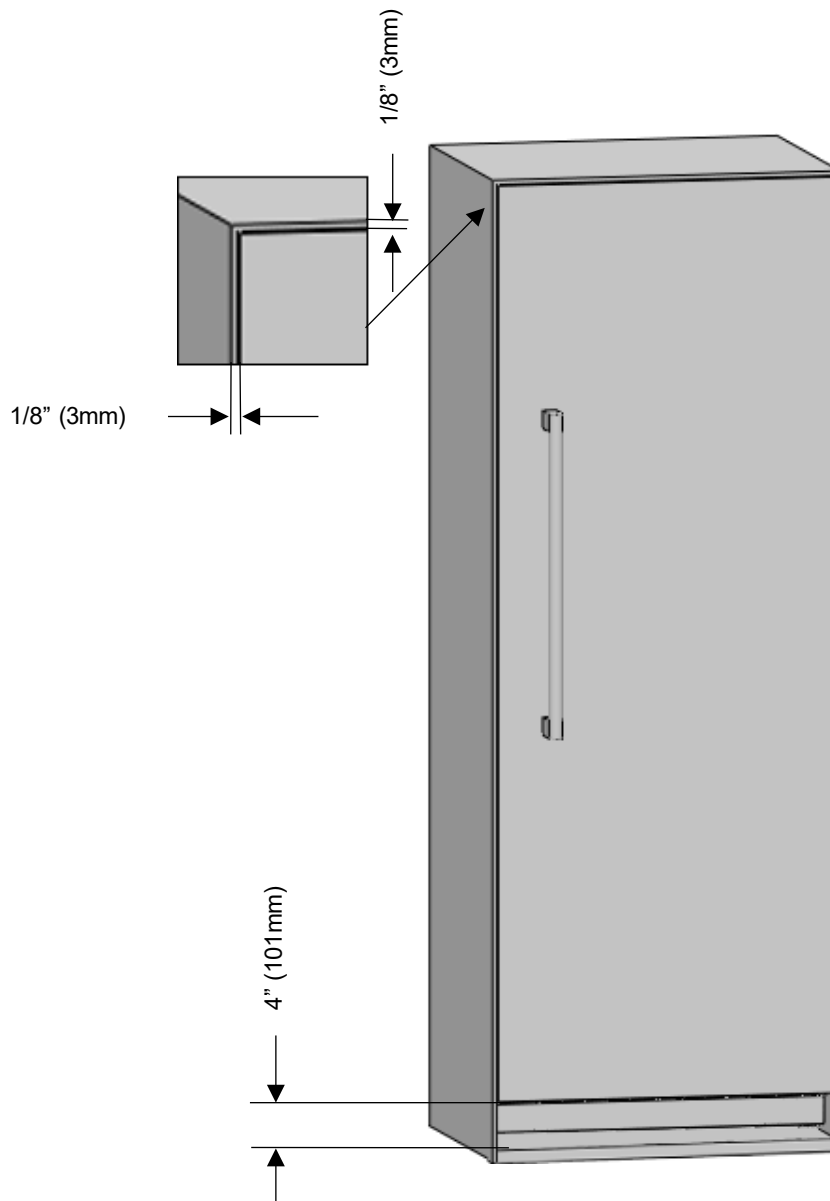
### **!** WARNING:

Make sure that the mains cable is not jammed when placing the product.

- Push the product carefully towards the cabin to place it.  
If there is strain during the placement of the product into the cabin:
  - The floor might be rough or uneven
  - Adjustable feet might be loose(please see the relevant section to learn how to adjust the adjustable feet)

## IMPORTANT INFORMATION:

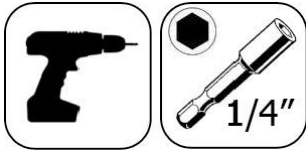
You must use the upper edges of the door when aligning the product with the furniture. Adjustment of other edges are explained in the following pages.



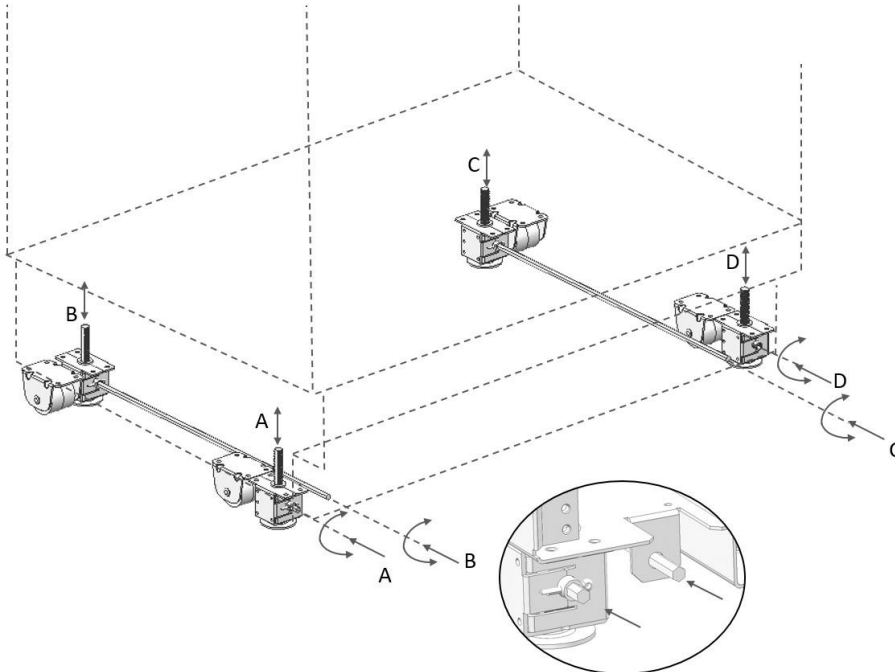
## INSTALLATION TO THE CABIN

### Adjusting the height of the refrigerator in the cabin

- Adjust the refrigerator height using the adjustable feet.



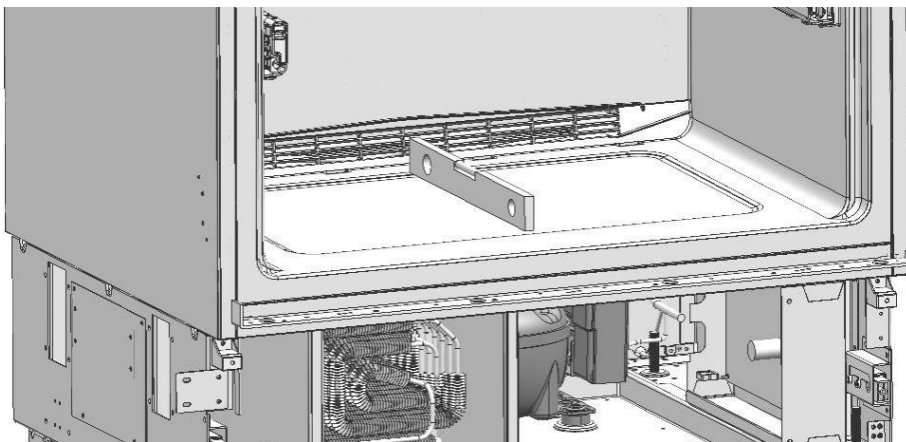
### ⚠ WARNING:



First of all, raise the front feet to reduce the risk of the cabin falling forward.

A/D –Turn the key clockwise to lift the front  
B/C –Turn the key clockwise to lift the rear

- After adjusting the adjustable feet, check the flatness in both width and depth directions.



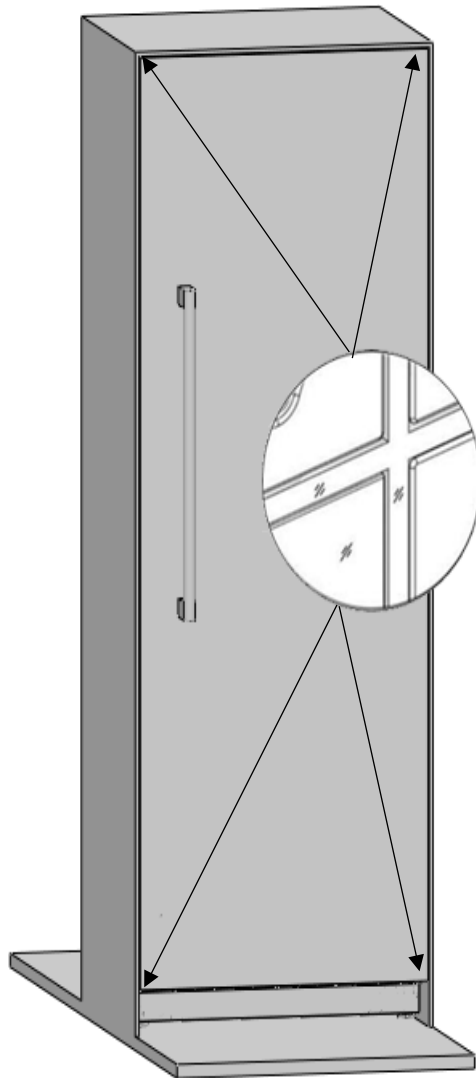
### **i** IMPORTANT INFORMATION:

The maximum height that the adjustable feet can reach is 1 9/16" (40 mm) and the product height is 85 3/8" (2,169 mm)

### Adjusting the refrigerator according to the cabin flange

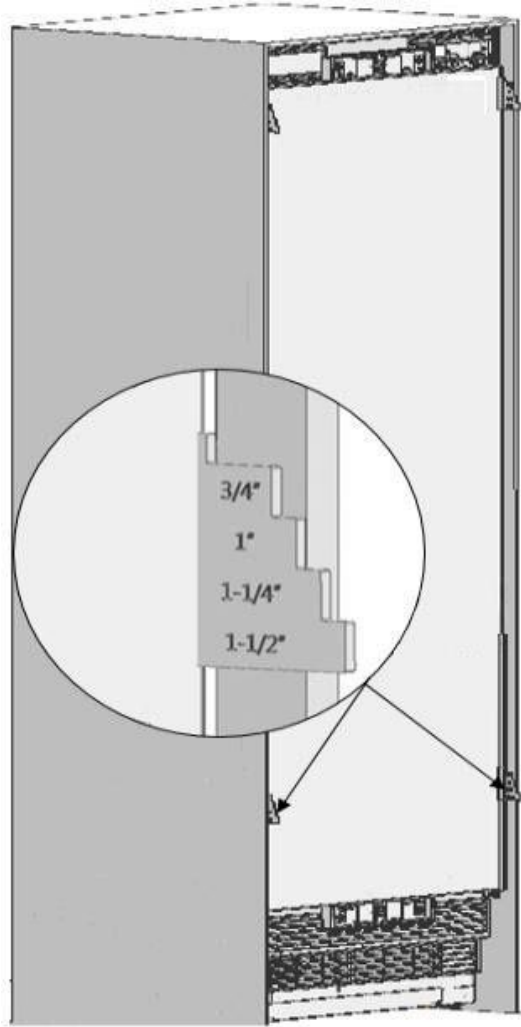
- For product with furniture door, the position of the Refrigerator is adjusted so that the door and the furniture surface are flush.

You can also use gage if necessary.

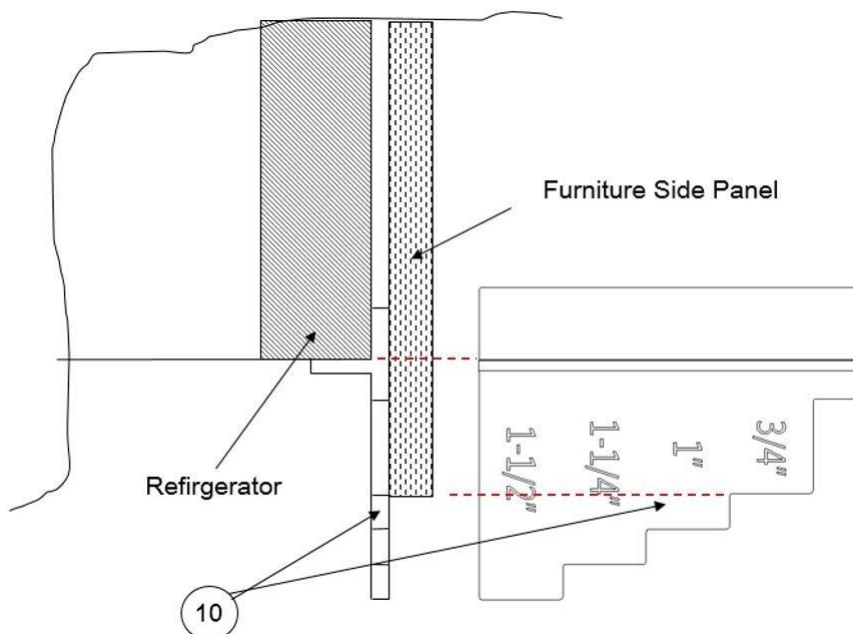


## INSTALLATION TO THE CABIN

- For products without furniture door, the product is placed using the adjustment part as shown in the figure below.



- Position of the level adjustment part (10) must be adjusted according to the thickness of the door. It can adjust the level for 4 different door thickness levels.

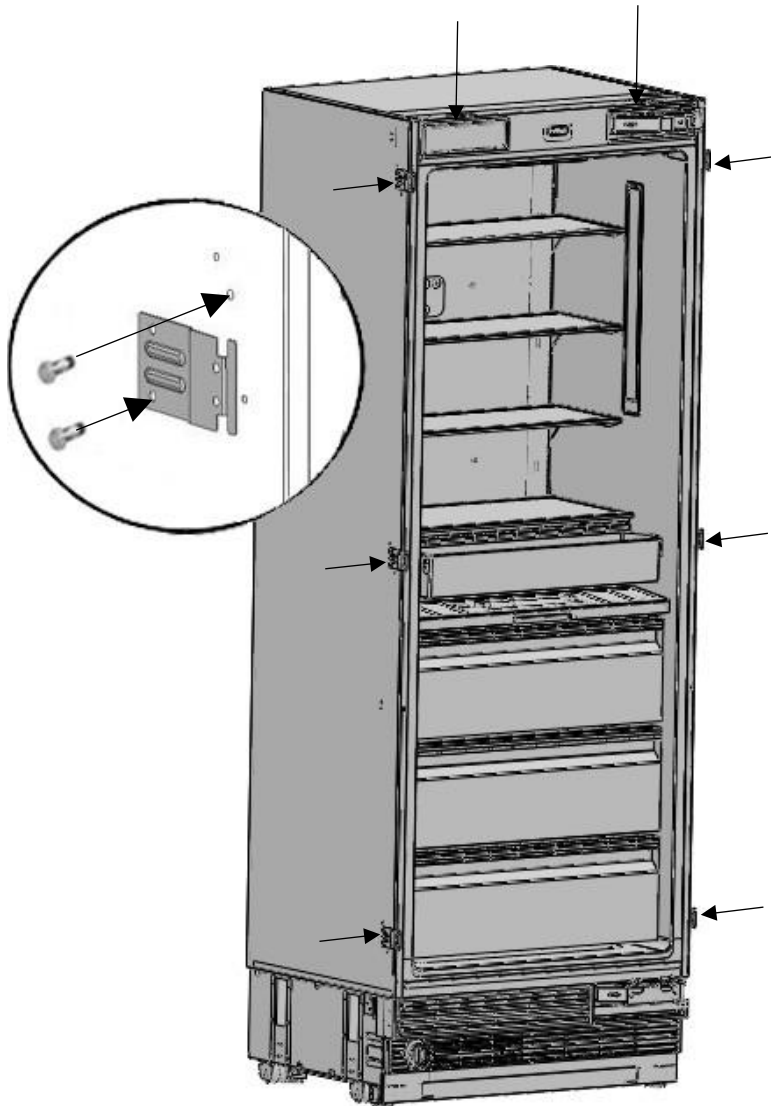


### Screwing the side and upper brackets

- Fix the bracket furniture (Item No12) to the unit, where 2 on the top, and 3 on every side. Use the truss washer head screws (Item No14) to tighten.

### WARNING:

Before starting to screw the Side and Upper brackets, please make sure that water is supplied to the product and there is no water leakage.



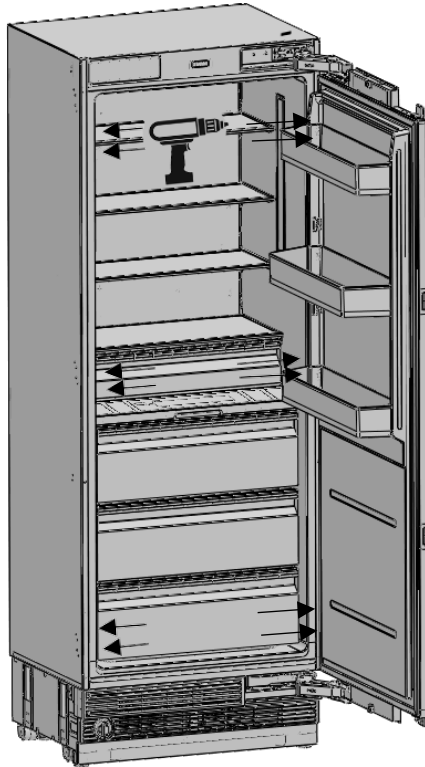
## INSTALLATION TO THE CABIN

### **i** IMPORTANT INFORMATION:

If you have difficulty tightening the screws, opening a reference hole with the drill will make this procedure easier.

#### **Screwing the bracket furniture on the cabin side wall**

- Attach the bracket furniture to the furniture with 12 screws (Item No13).

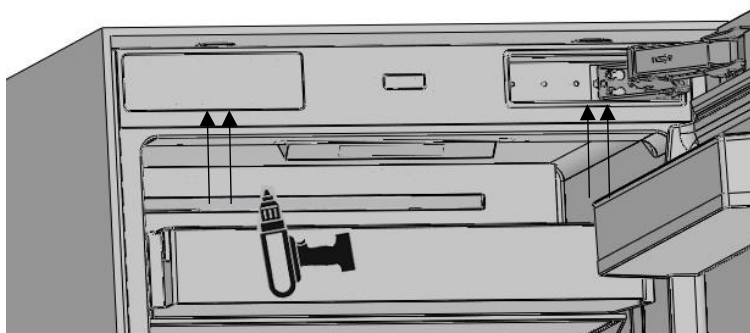


### **i** IMPORTANT INFORMATION:

If you have difficulty tightening the screws, opening a reference hole with the drill will make this procedure easier.

#### **Screwing the bracket furniture on the cabin top wall**

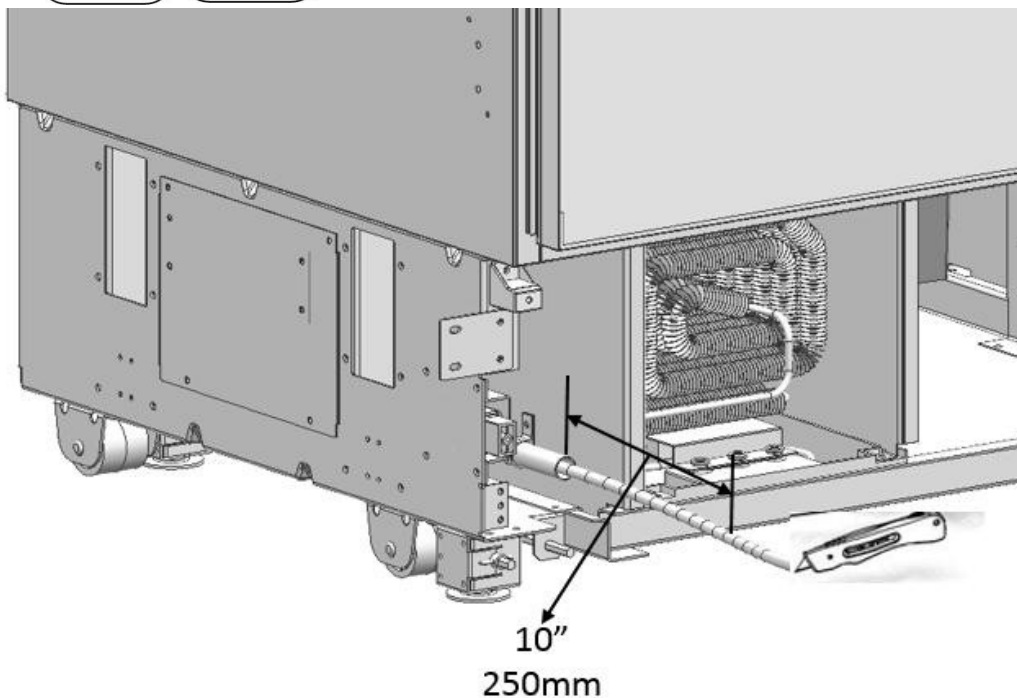
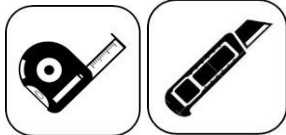
- Attach the bracket furniture to the furniture with 4 screws (Item No13).





## Water connection

- Use the box cutter to cut the water hose from the end of the pipe it comes out, leaving a section of 10" length.



- Use the 2 wrenches to firmly connect the hose coming from the mains and the hose coming from the valve.

### WARNING:

The hose coming from the mains must be one piece. Do not use extension hoses.

### WARNING:

Make sure that the power is cut off when making the water connection of the product.

### WARNING:

The water valve must be off when connecting the water hose.

### WARNING:

It is recommended that the water on/off valve remains accessible after installing the product.

### WARNING:

This product is suitable for use with cold water mains only.

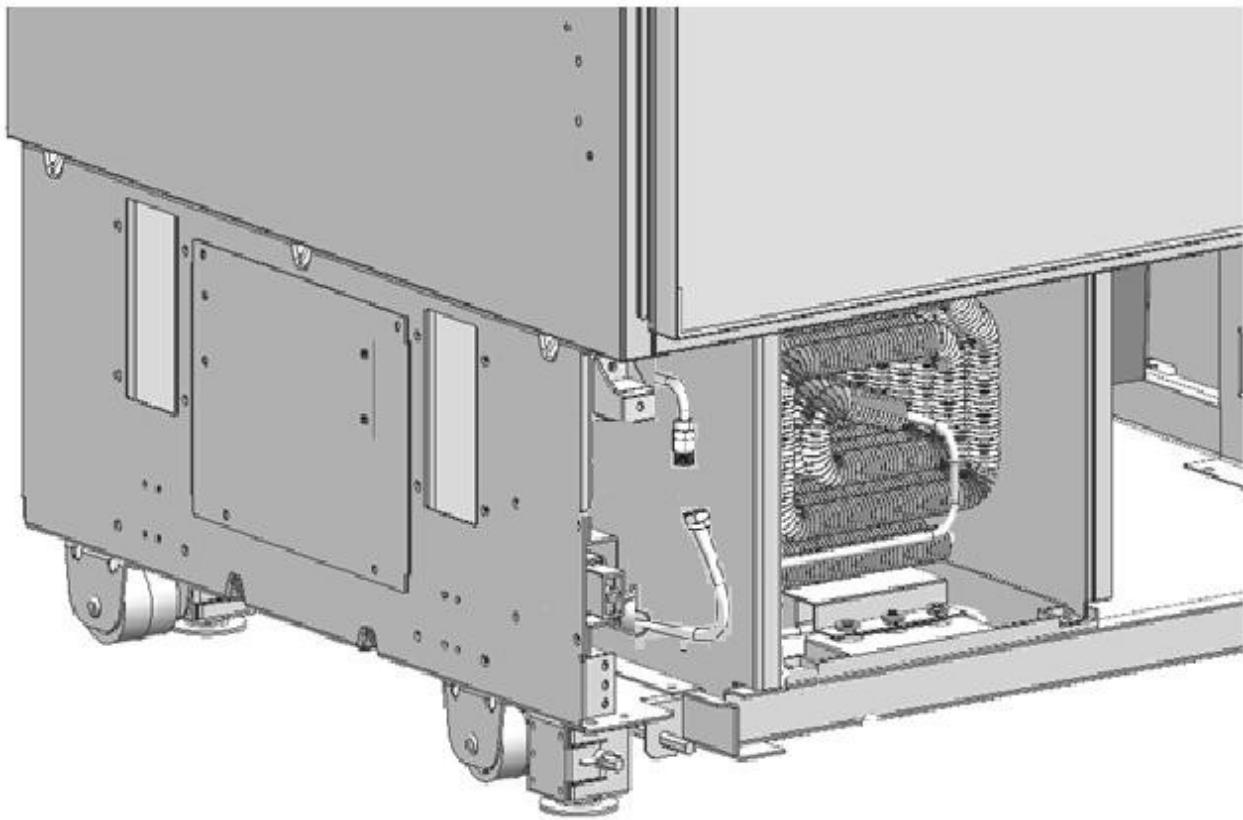
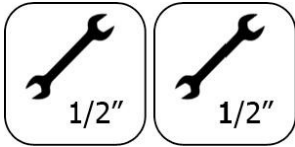
## INSTALLING THE CABIN BOTTOM

### WARNING:

Pressure of the water system must be between 25-80 psi (1.7-5.5 Bar).

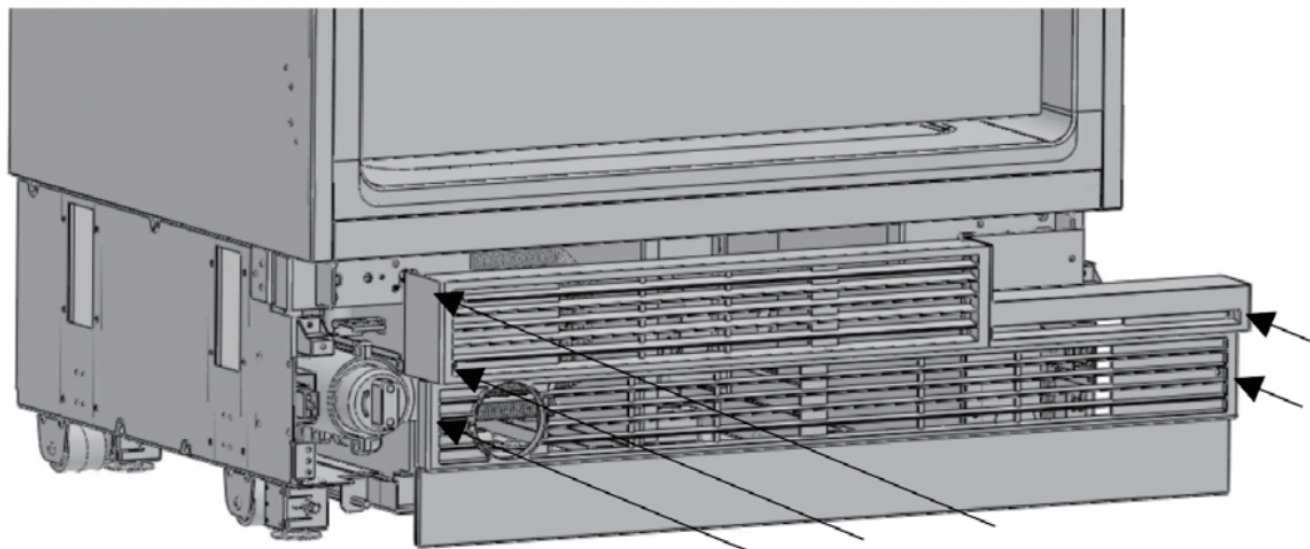
### IMPORTANT INFORMATION:

Once the connection is complete, you must turn on the mains valve and make sure that there is no leakage at that point.



### Attaching the vent hole assembly

- Use 5 screws to attach the vent hole assembly.



### IMPORTANT INFORMATION:

You can move the lower vent hole forward-backward to adjust it to the kick plate in the kitchen.

### WARNING:

Forward-backward travel distance of the lower kick plate must be 15/16" (23 mm).

As you can see in the figure, the decorative kick plate must not be in front of the upper vent hole level.

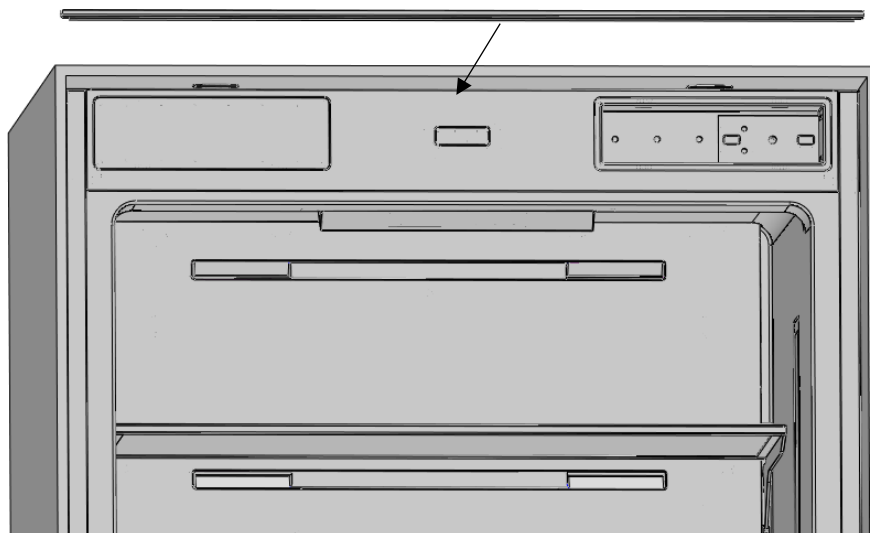
## INSTALLING THE CABIN BOTTOM

### Attaching the decorative parts

- Attach the side closing parts (trim furniture side Item No2) onto the right/left connection brackets.



- Attach the upper closing part (trim furniture top Item No1) onto the upper connection bracket.



# FURNITURE DOOR PREPARATION

This section contains information about preparing the furniture doors and mounting them to the product.

## WARNING:

Maximum weights of the furniture to be mounted to the product are as follows.

Category	XRF30CRF
Weight	66.0 lbs. (30 kg)

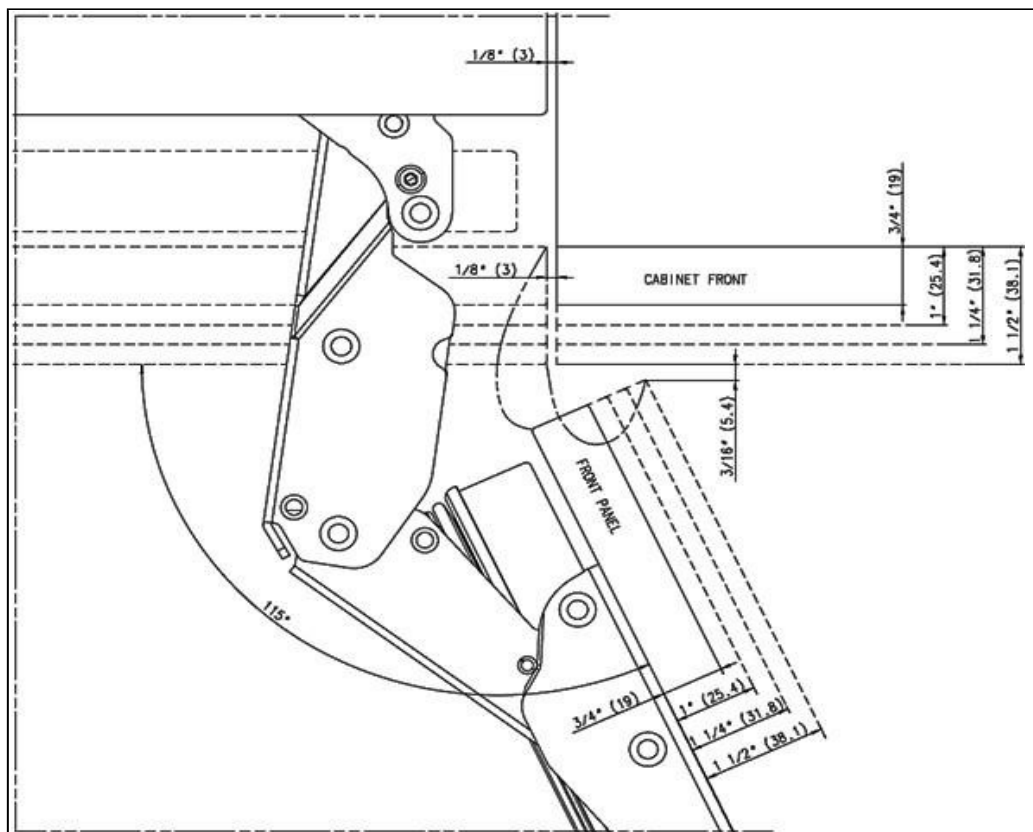
- Furniture door density : 0.6

## Choosing the door thickness

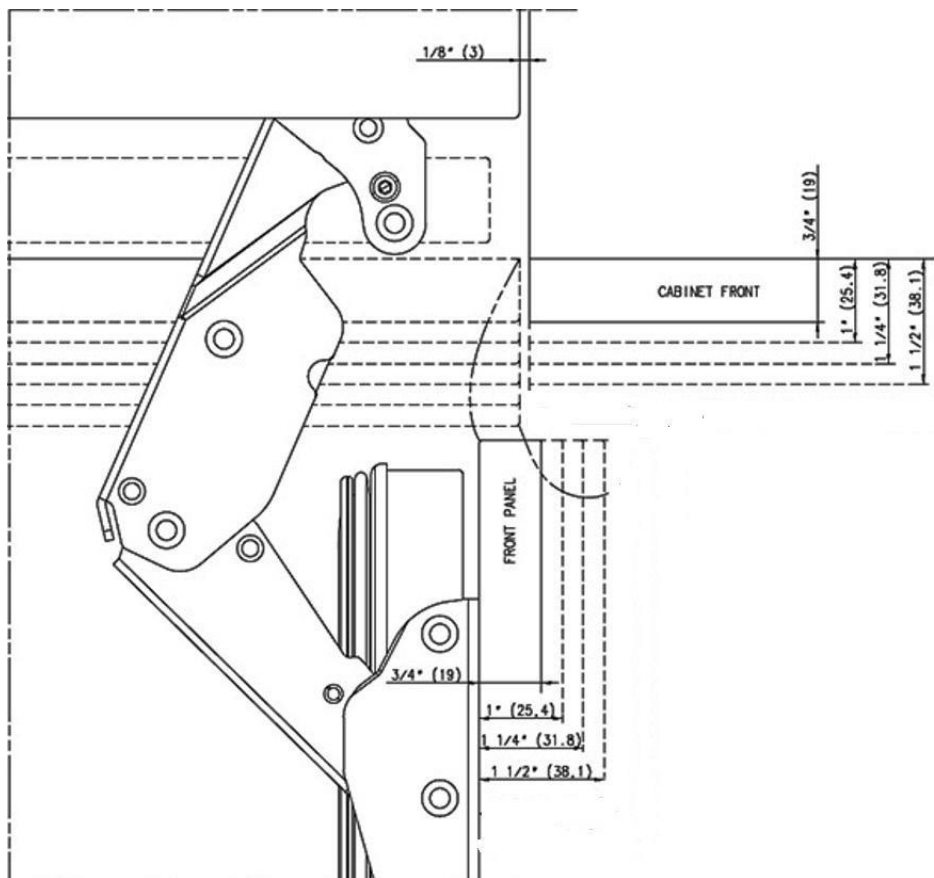
- The door of your refrigerator can open by 115° maximum.  
If the door is going to open to this degree, you can choose the following thickness levels.

## WARNING:

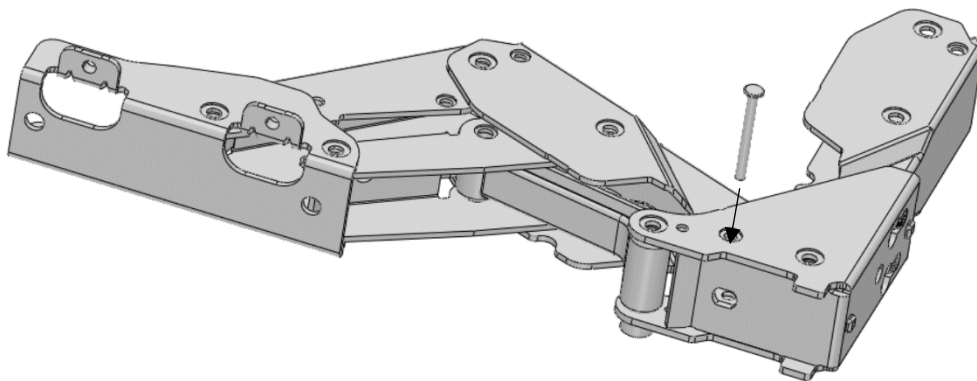
If the door thickness is more than 1 1/2" (38 mm), the door should not open more than 90°. You must use 90° limit pin on the hinge.



## FURNITURE DOOR PREPARATION



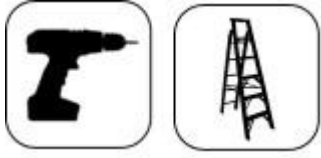
- You can limit the opening degree of your door to  $90^\circ$  if you want
- $90^\circ$  limit pin (item No. 17) is located in the mounting part kit of the drawer box.
- Pin must be fully seated in the bracket or the door will not close properly.



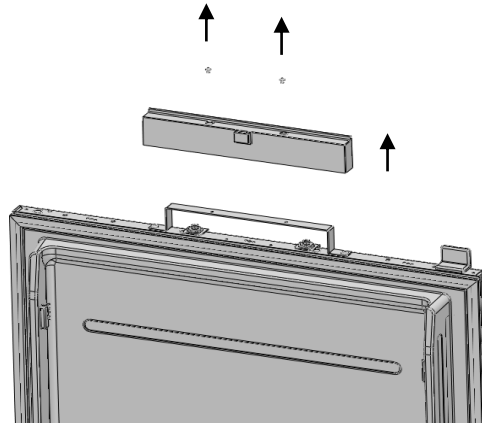
$90^\circ$  limit pin should be inserted to upper hinge and lower hinge

## Removing the mechanism Covers

- Remove screws to take out the top hanger bracket cover.



XRF30CRF



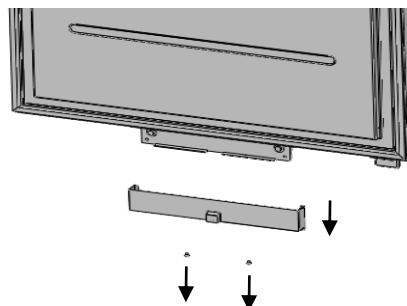
## WARNING:

There is a magnet on the top hanger bracket cover. This is a functional part for the operation of the product. It should not be confused with the low hanger bracket cover.

- Remove screw to take out the low hanger bracket cover.



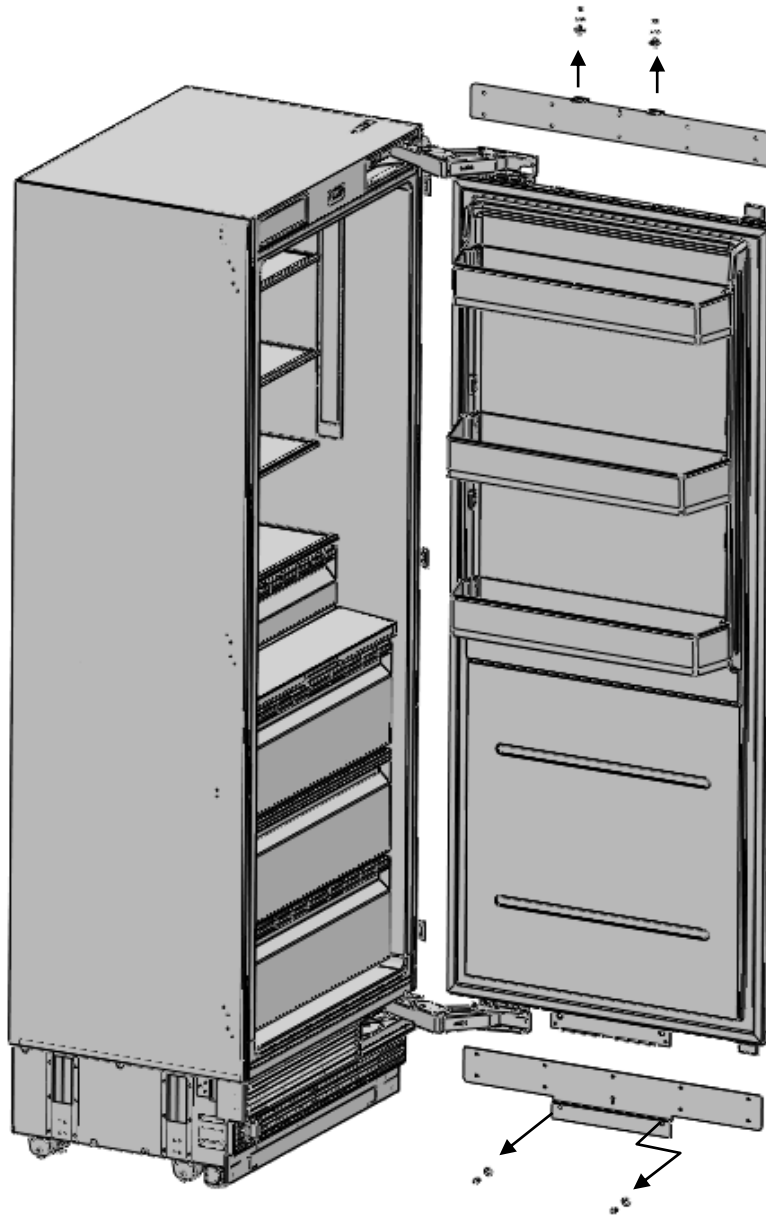
XRF30CRF



## FURNITURE DOOR PREPARATION

### Removing the panel-adjustment mechanisms on the refrigerator

- Remove the upper and lower adjusting mechanism assemblies from the door.



XRF30CRF

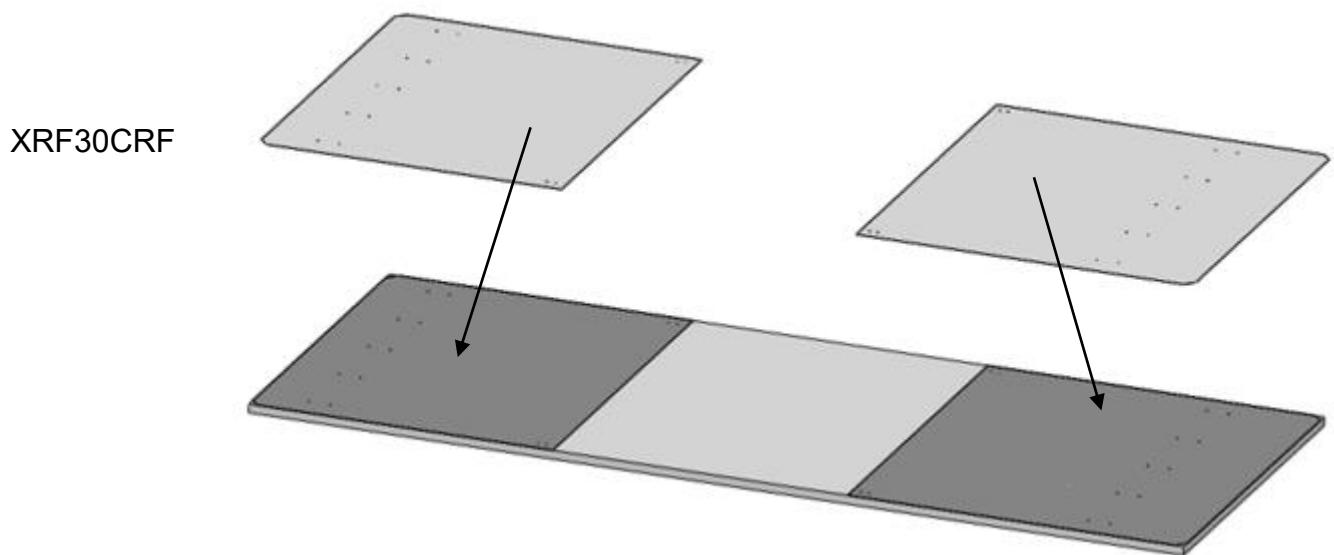


## Preparing furniture door

### IMPORTANT INFORMATION:

You must take the dimensions into account when grouping the cradle parts on the furniture door.

When marking, you can use the "Furniture door preparation template" provided with the product.



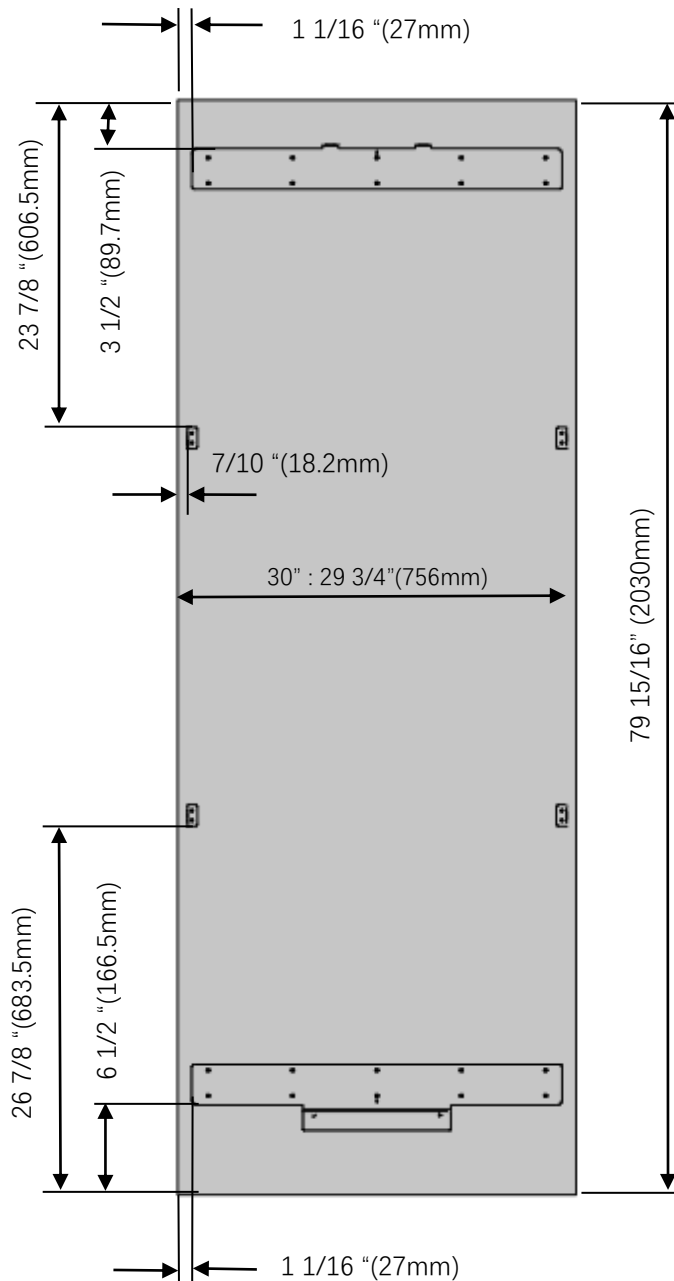
### WARNING:

Handle connection holes must be adjusted according to the handles to be used in kitchen design.

### WARNING:

Minimum thickness of the door must be  $\frac{3}{4}$ " (19mm).

# FURNITURE DOOR PREPARATION



XRF30CRF

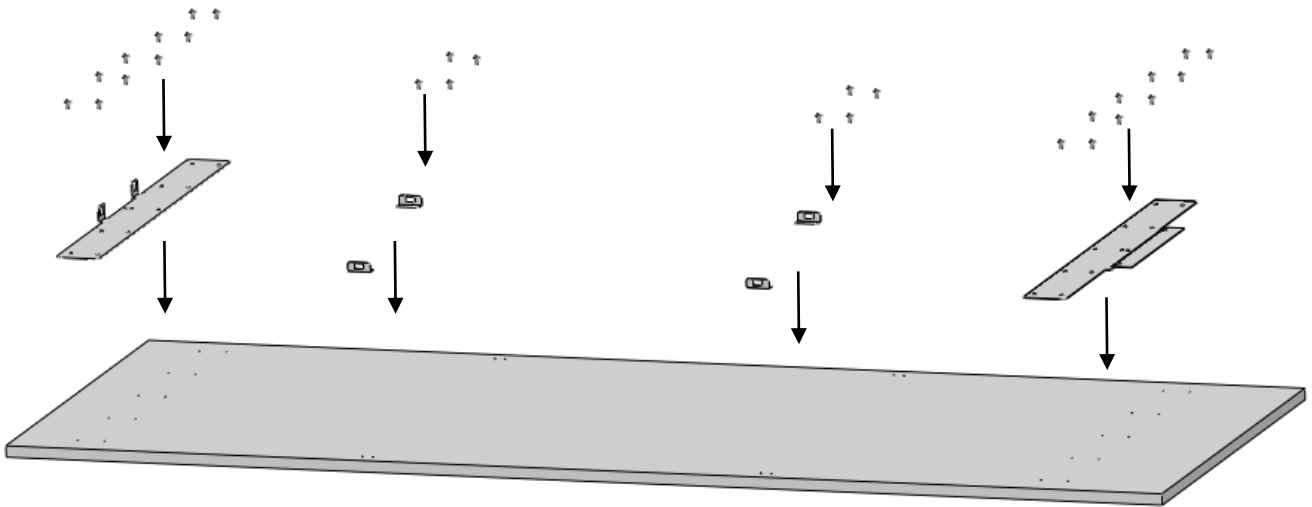
√ Furniture door cutout dimension

Category	XRF30CRF
mm	756 * 2030
inch	29 3/4 * 29 15/16

### WARNING:

You must use screws(item No.15). suitable for the door thickness.

- Install cradles using the chipboard screws. You can also use the template provided with the product to align these parts. It is recommended to keep this template for future reference.

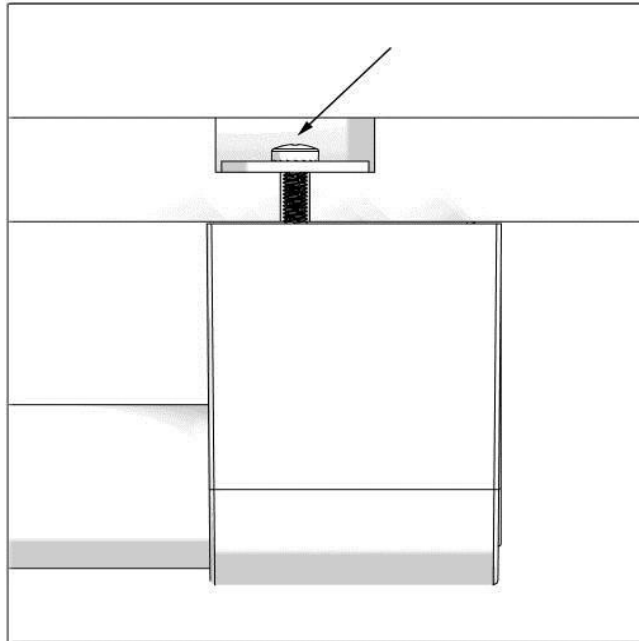


XRF30CRF

## FURNITURE DOOR PREPARATION

- Attach the door handle.

Screws holding the door handle must not protrude.



- Attach the door handle to the furniture door..

Screws holding the door handle must not protrude.

### WARNING:

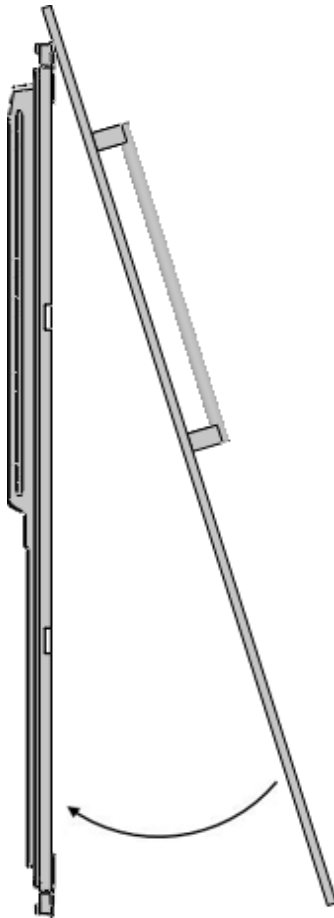
Handle connection holes must be adjusted according to the handles to be used in kitchen design.

### WARNING:

Minimum thickness of the door must be  $\frac{3}{4}$ " (19 mm).

## Installing the furniture door

1. Attach the furniture door to the door



## FURNITURE DOOR PREPARATION

- How to align the furniture door upper part with bolts.

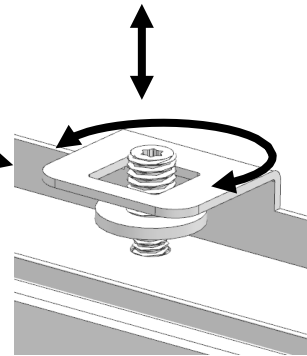
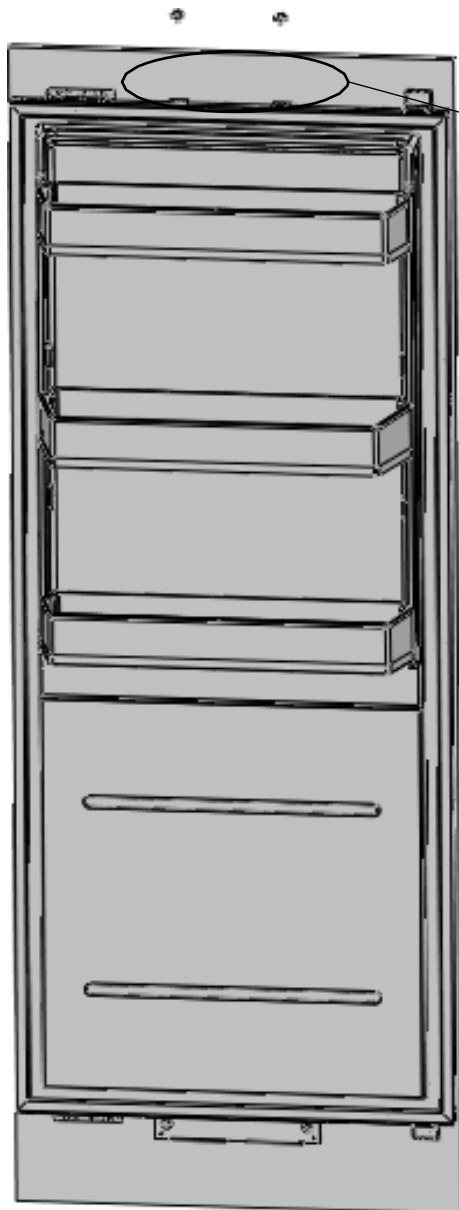
Position of the Furniture Doors to the kitchen furniture must be flush.

To achieve this, you should adjust 3D direction using by two fixing bolt to perform fine adjustments.

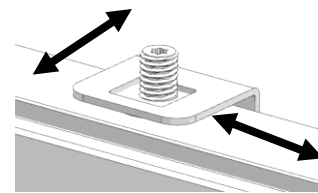
First of all, review the position of the grouped Furniture Doors against the kitchen furniture.

Distances between furniture must be  $\frac{1}{8}$ " (3 mm), assuming that the furniture dimensions are correct.

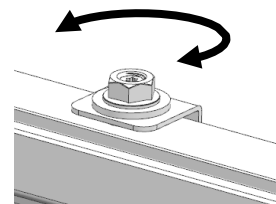
You can make door adjustments based on this distance.



Up & down



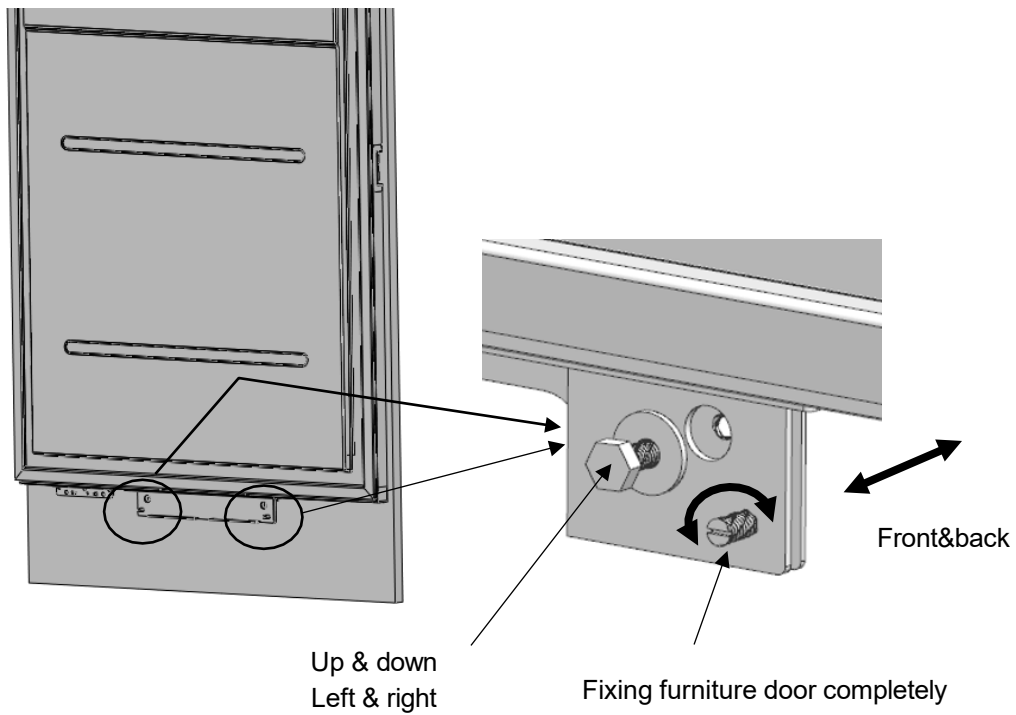
Front & back  
Left & right



Fixing furniture door completely

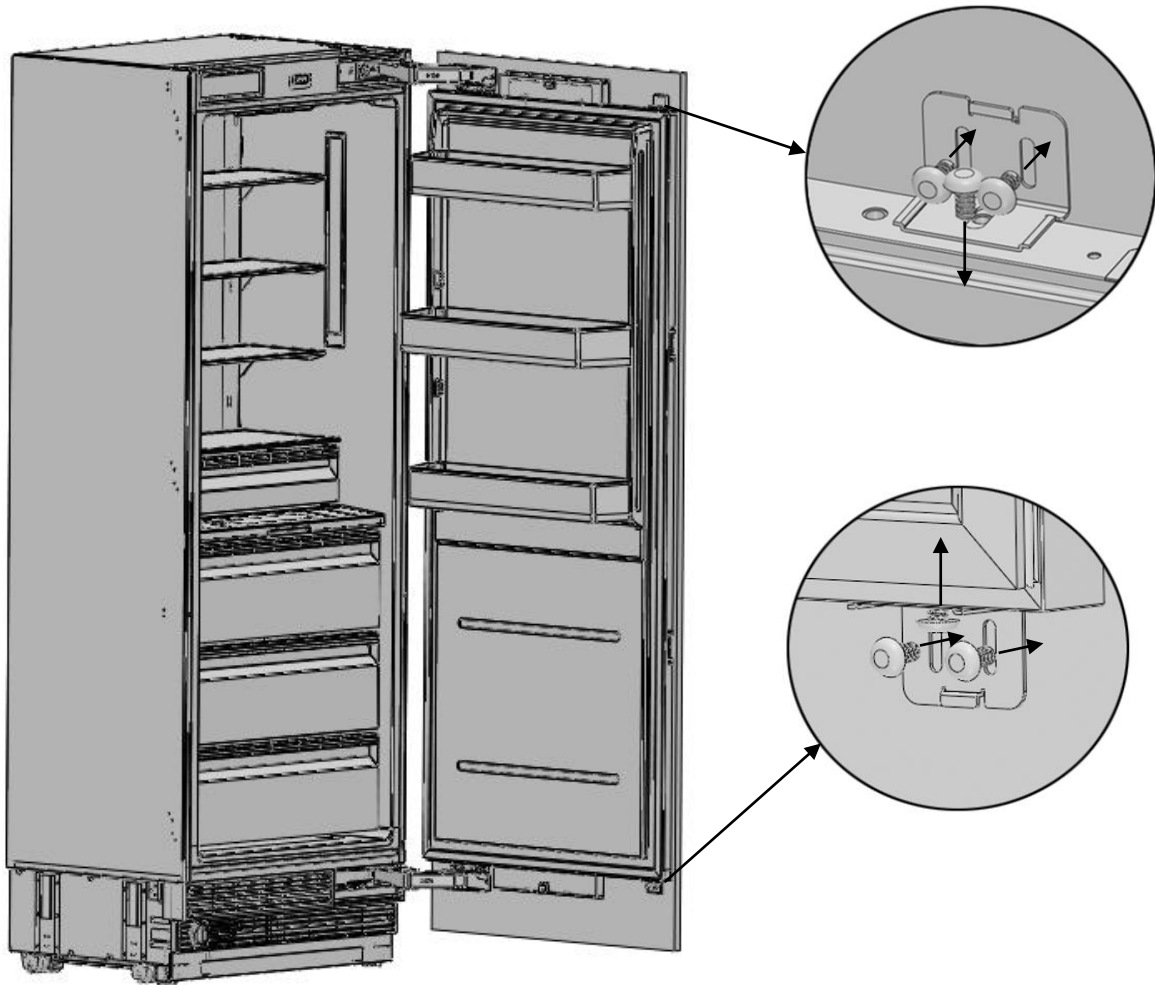
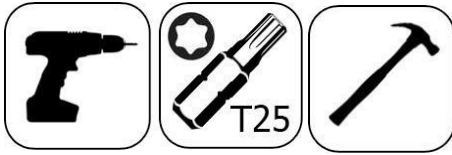
## FURNITURE DOOR PREPARATION

- How to align the furniture door lower part with bolts.



## FURNITURE DOOR PREPARATION

- Use the bracket furniture door(Item No6) to join the furniture door
- Use 2screws (Item No7) and 1screw(Item No5) to fix.

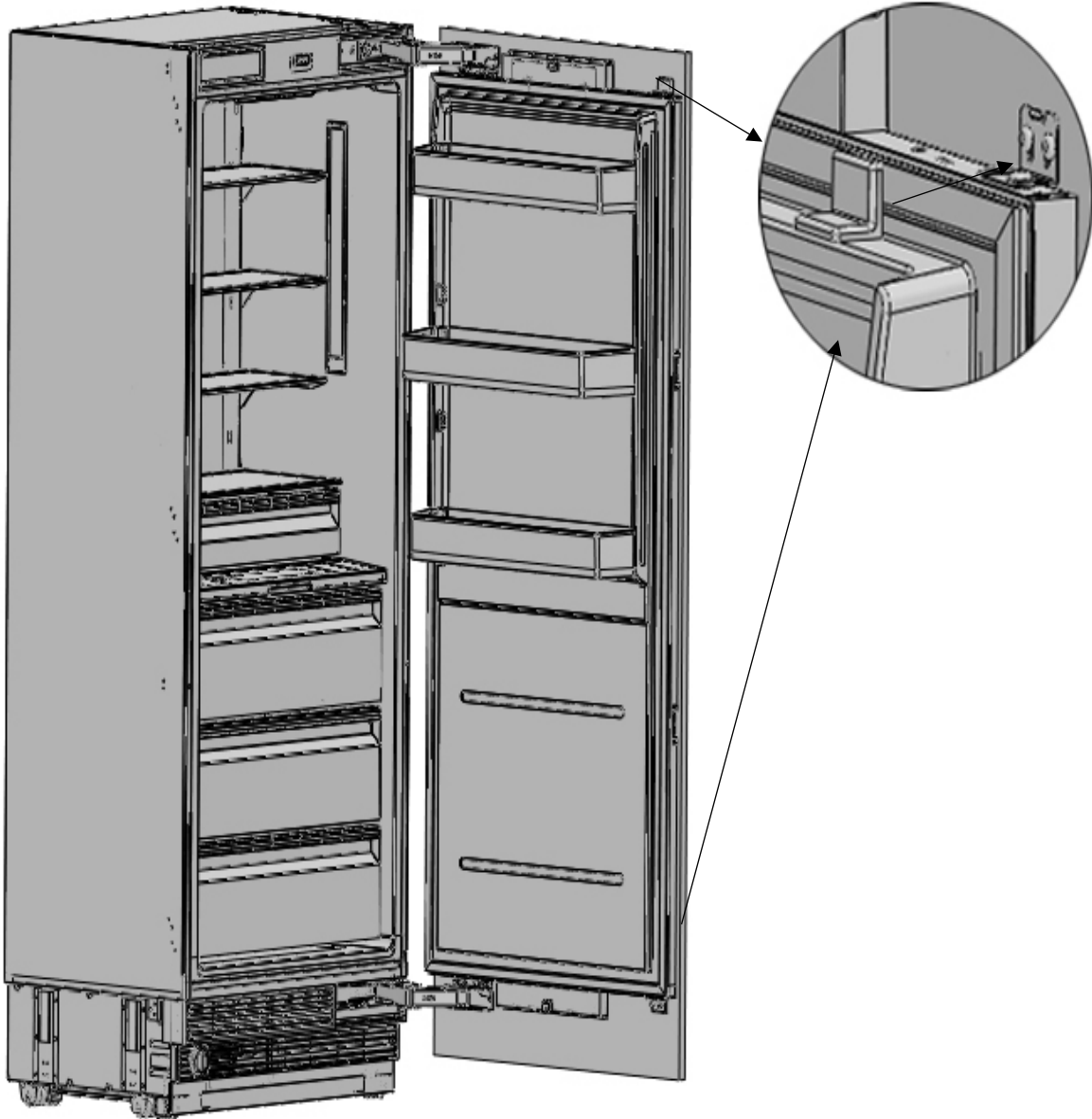


XRF30CRF



## FURNITURE DOOR PREPARATION

- Clip the cover furniture door bracket.



XRF30CRF

## FURNITURE DOOR PREPARATION

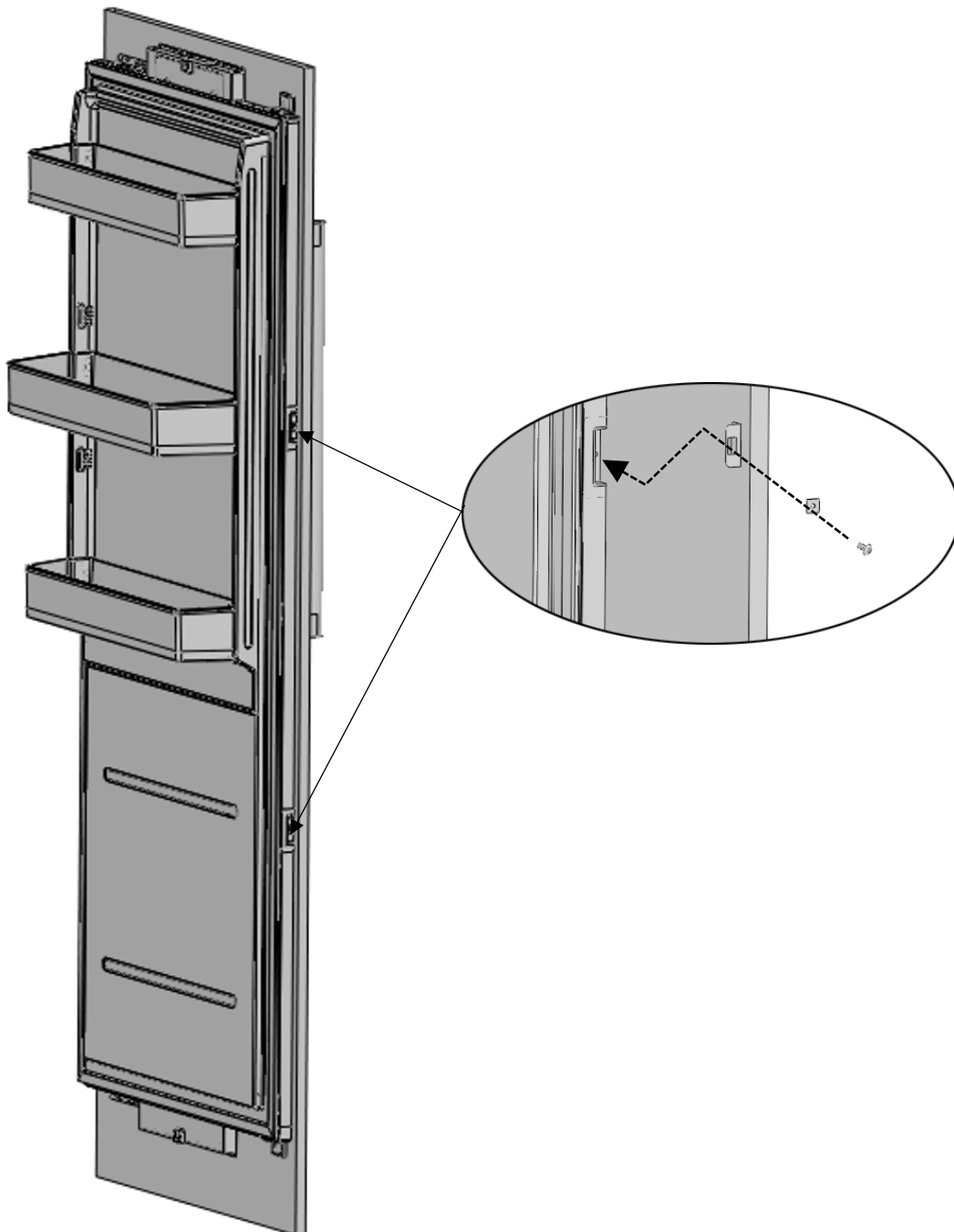
- Attach and screw the upper/lower decoration cover.



XRF30CRF

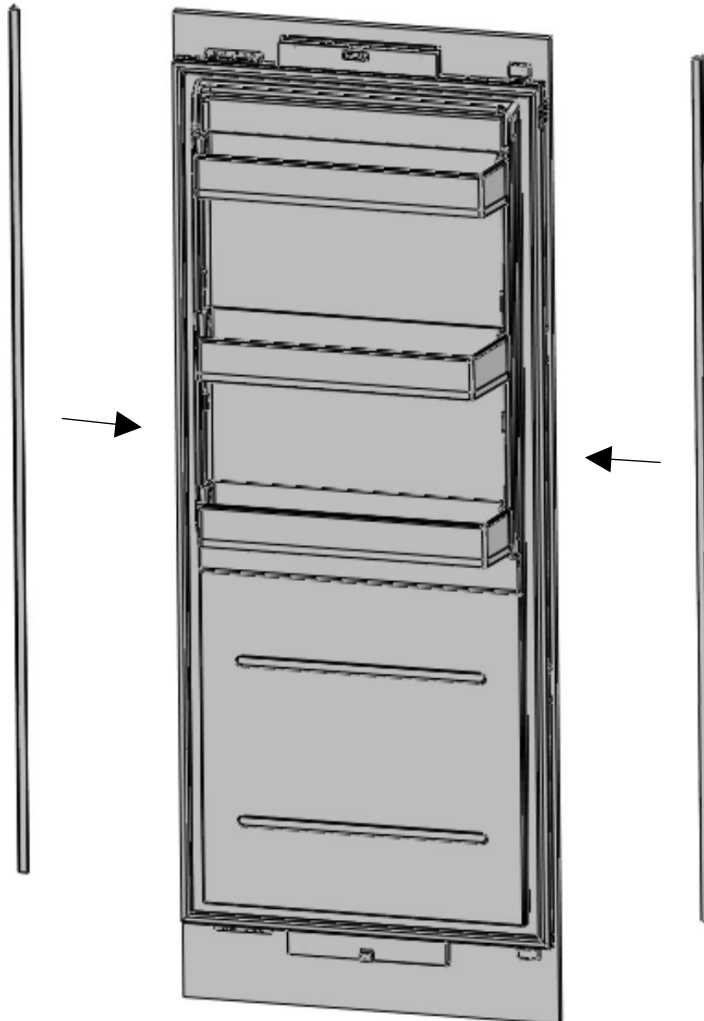
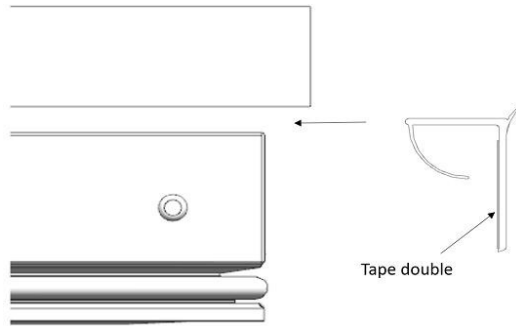
## FURNITURE DOOR PREPARATION

- After the top and bottom door panel brackets are secured by installing screws, use screw(Item No8) and square washer(Item No9) to secure the center mounting bracket.



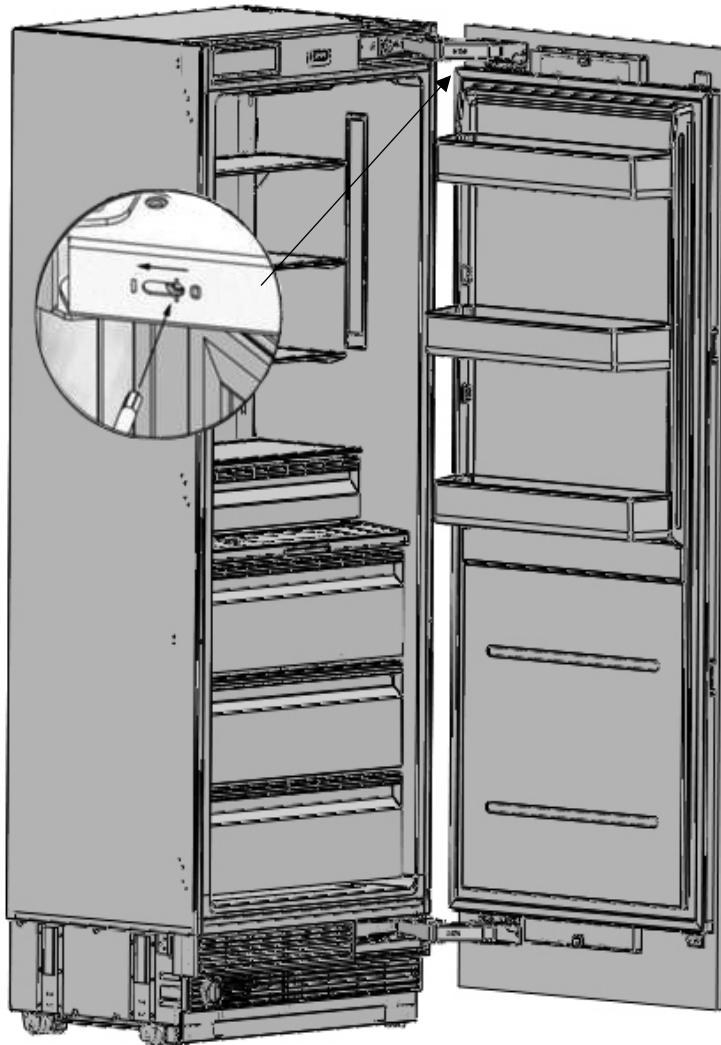
## FURNITURE DOOR PREPARATION

- Attach the Trim door side (Item No3)



## Adjusting the hardness of the hinges

- Use a drill to adjust the hardness of the upper and lower hinges of the Door.
- Set the hingeadjustment screw from position "O" to position "I".



### **WARNING:**

The door must be fully open during this adjustment.

### **WARNING:**

This adjustment must definitely be performed after the door has been adjusted.

## CHANGING THE DOOR OPENING DIRECTION

### Removing the furniture door

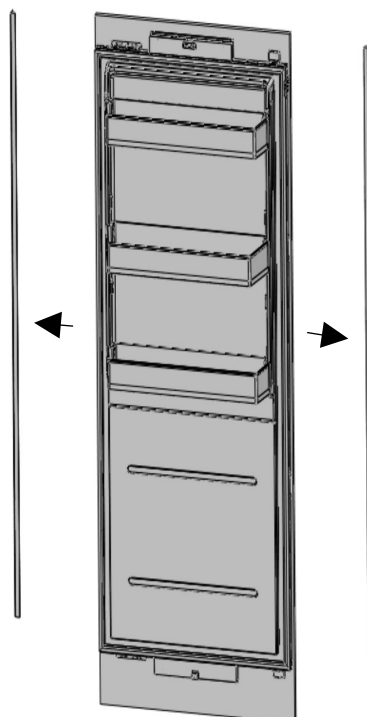
- Set the hardness level of the hinge to "0".



### ATTENTION:

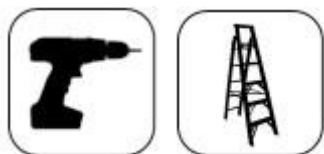
Failure to set the hinge to "0" and continuing the installation like that may cause injury.

- Remove the side closing seals.

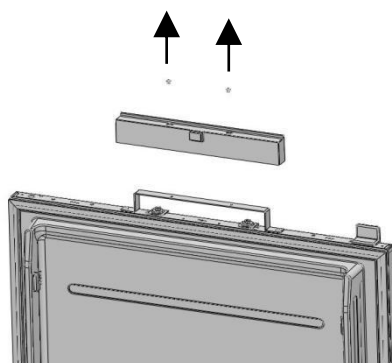


## CHANGING THE DOOR OPENING DIRECTION

- Loosen screws of the Upper Cover of the door and remove it.



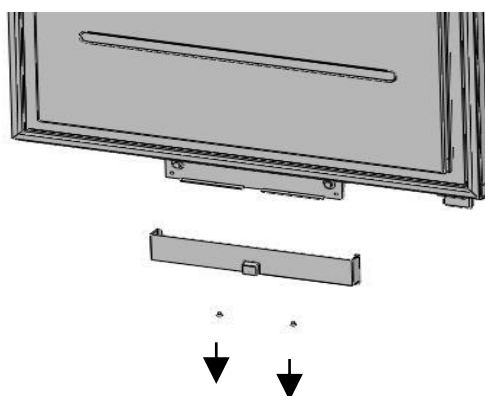
XRF30CRF



- Loosen screws of the lower cover of the door and remove it.

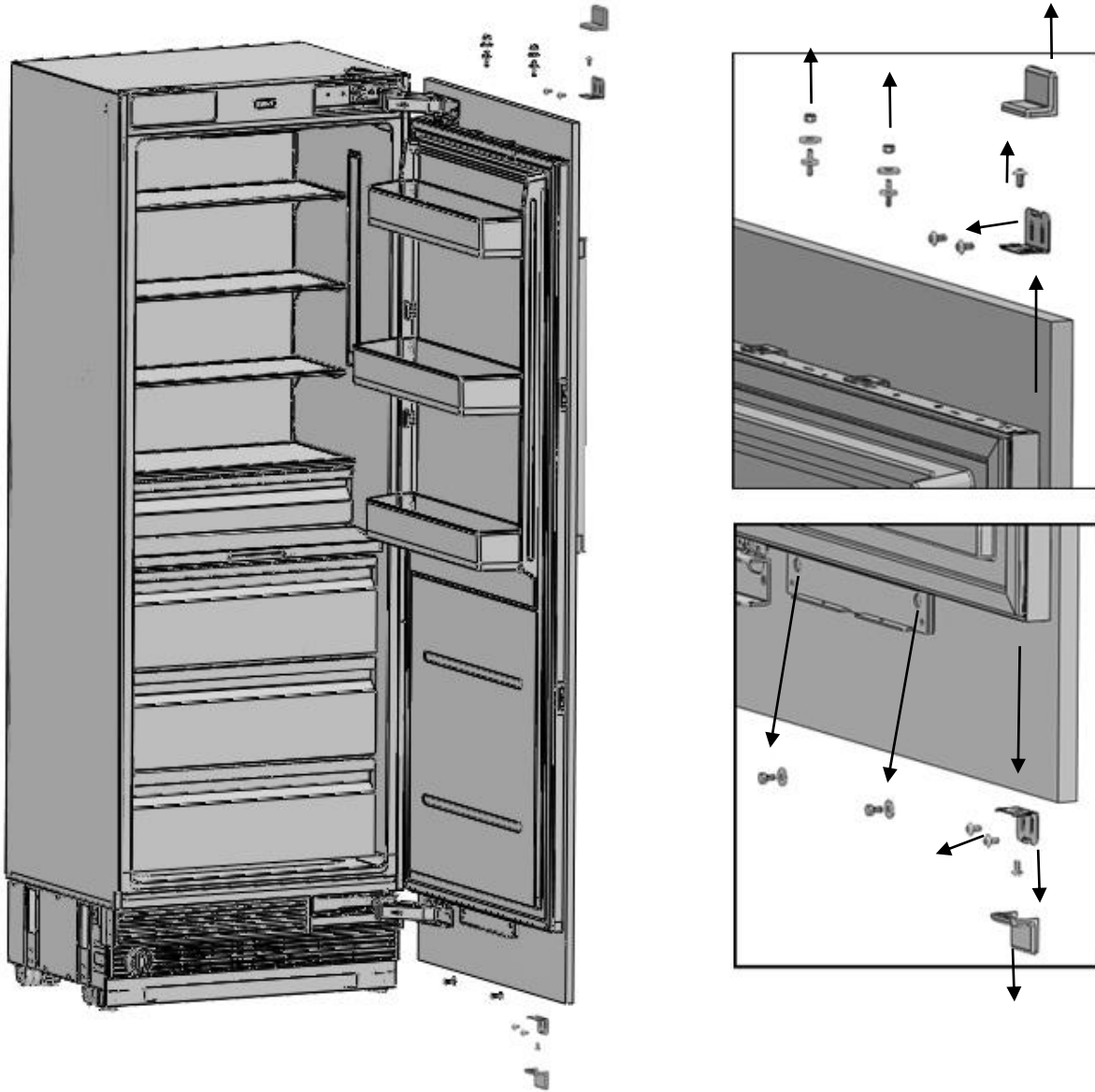
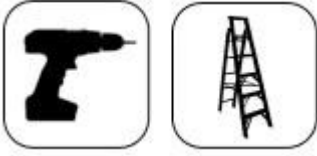


XRF30CRF



## CHANGING THE DOOR OPENING DIRECTION

- Remove the upper adjustment kits.



XRF30CRF

### WARNING:

The clad door will be released when these screws are removed.  
You must take measures to prevent the door from falling.

You can tape the Furniture Door to the Inner Door or ask for help from another person.

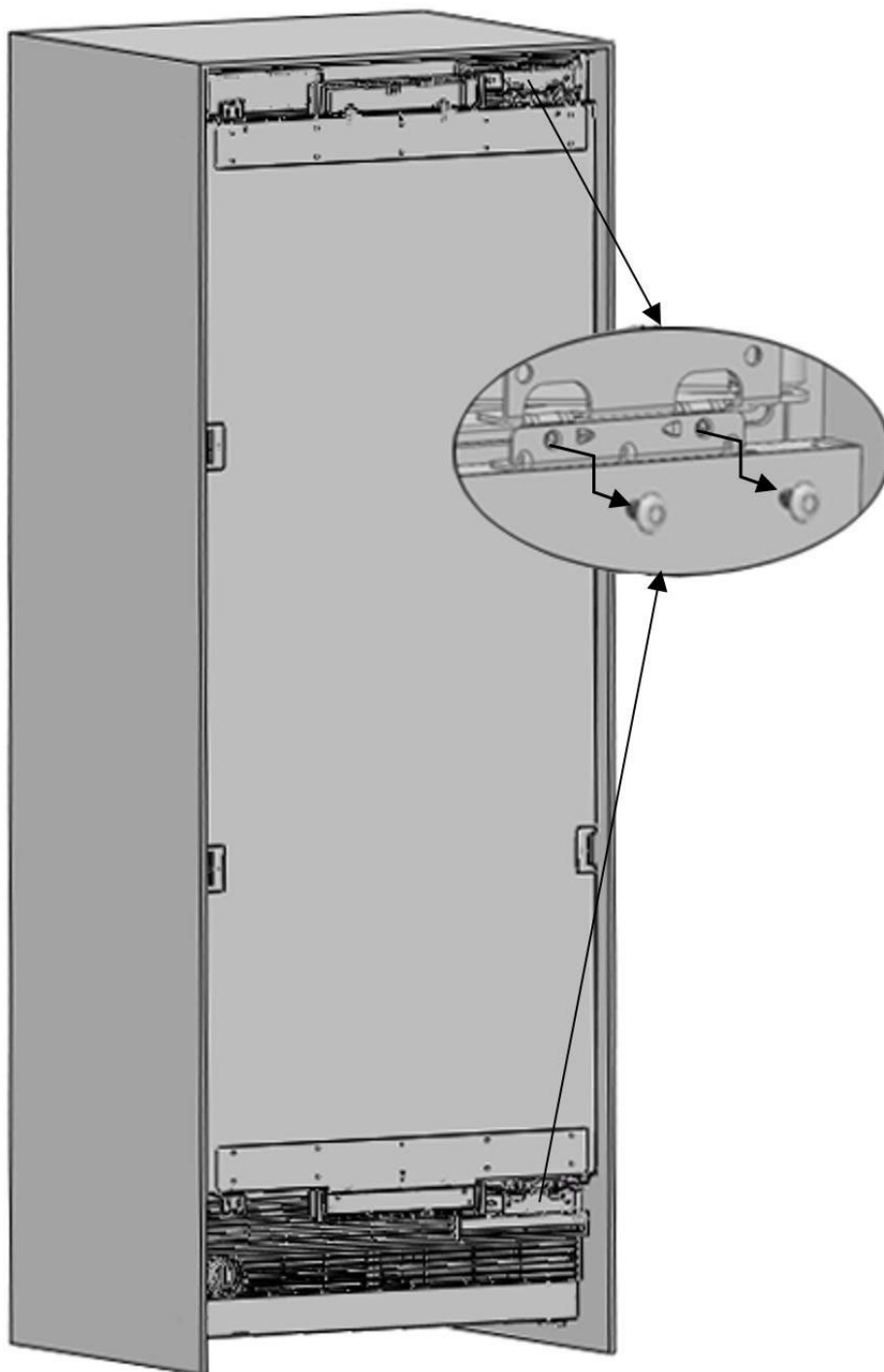
Take the Fridge Furniture Door and lay it down on a table upside down.  
You must attach the Furniture Door by rotating it 180° based on its current position.



## CHANGING THE DOOR OPENING DIRECTION

### Removing and preparing the inner door

- Remove the hinge connection screws of the Hinge Brackets.



### ATTENTION:

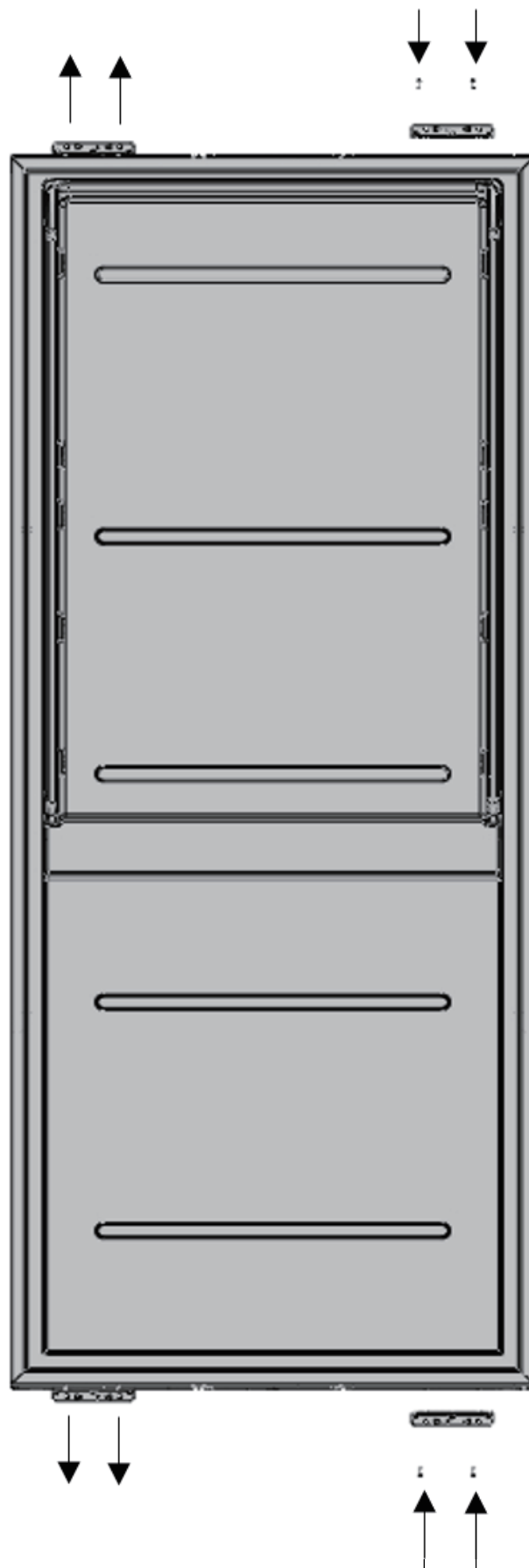
The clad door will be released when these screws are removed.

You must take measures to prevent the door from falling.

You can tape the Furniture Door to the Inner Door or ask for help from another person.

## CHANGING THE DOOR OPENING DIRECTION

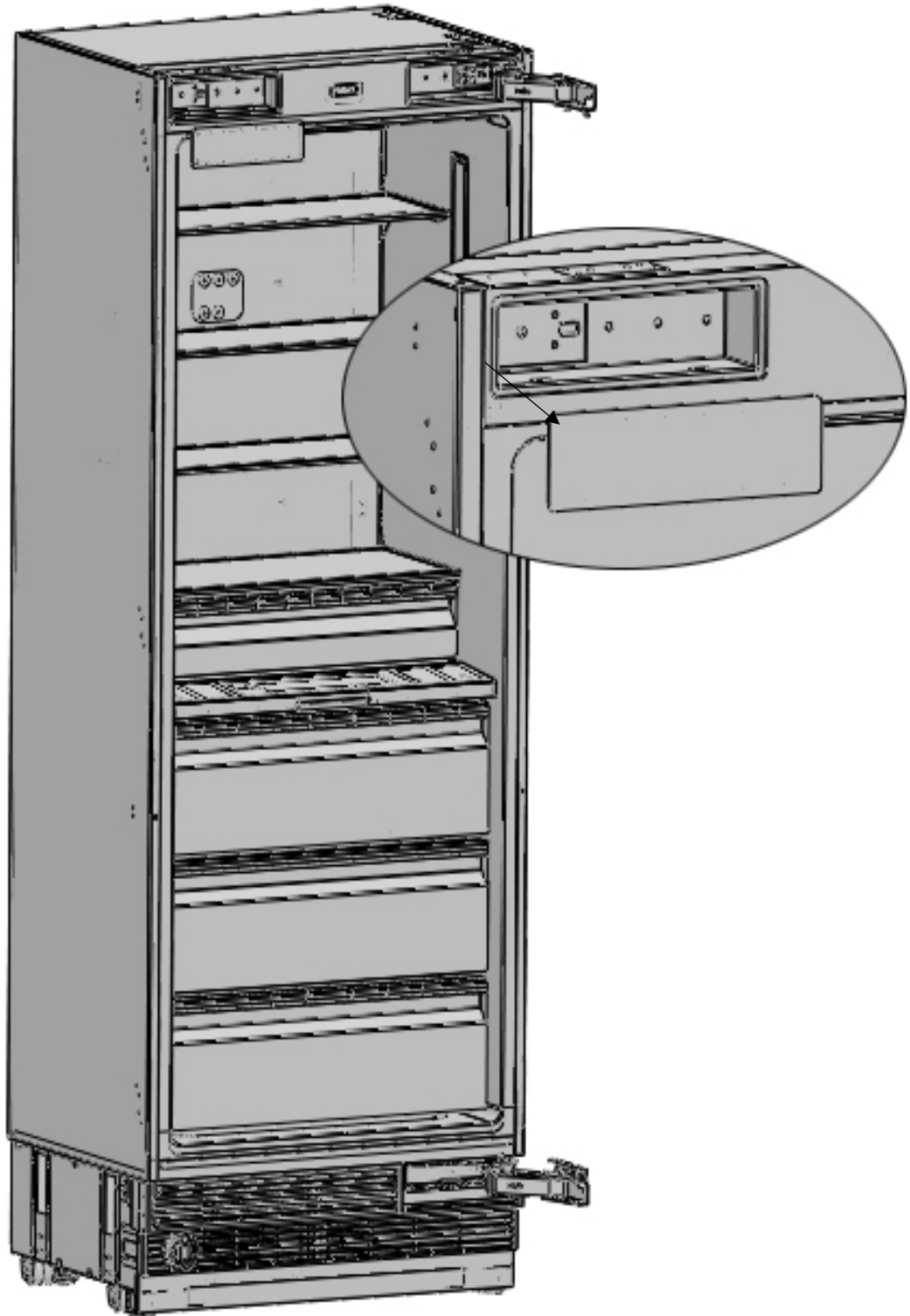
- Take out door and lay it down on a table.
- Remove the hinge brackets on the fridge door.
- Take out the new hinge brackets from Accessories bag and screw it on the reverse side.



## CHANGING THE DOOR OPENING DIRECTION

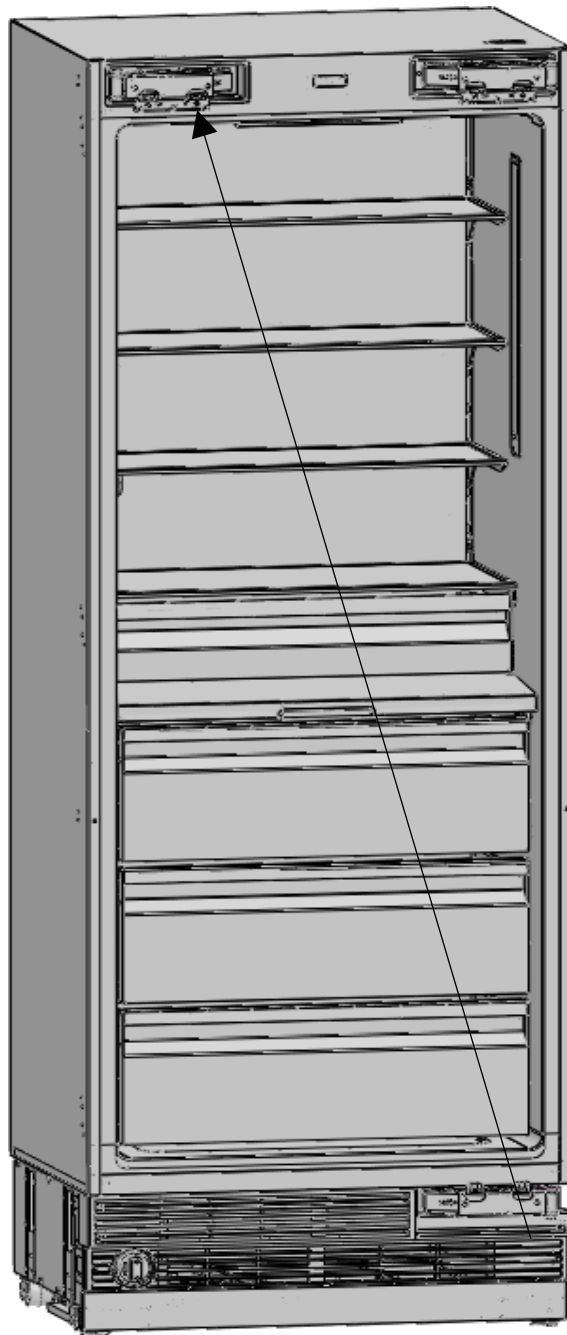
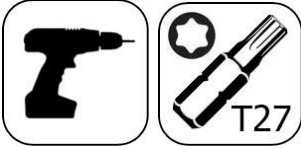
### Replacing the hinges

- Remove the Hinge Caps located at the other side where you will fix the hinges.



## CHANGING THE DOOR OPENING DIRECTION

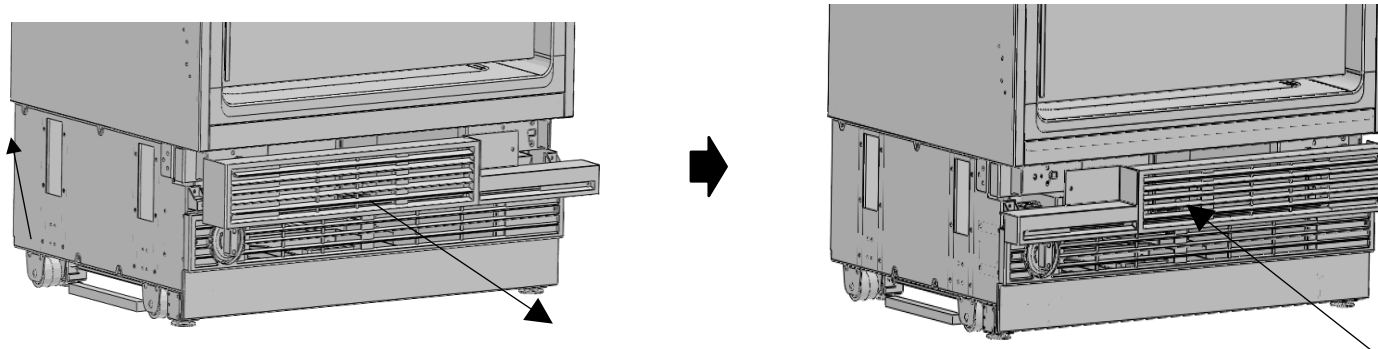
- Remove the lower right hinge by loosening its 2 screws and fix it to its slot at the upper left side.



# CHANGING THE DOOR OPENING DIRECTION

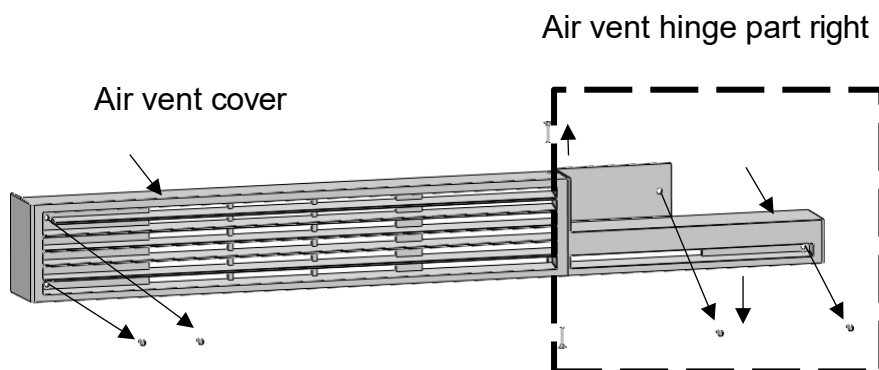
## Air vent upper part direction change

Remove the air vent part and change direction as shown figure

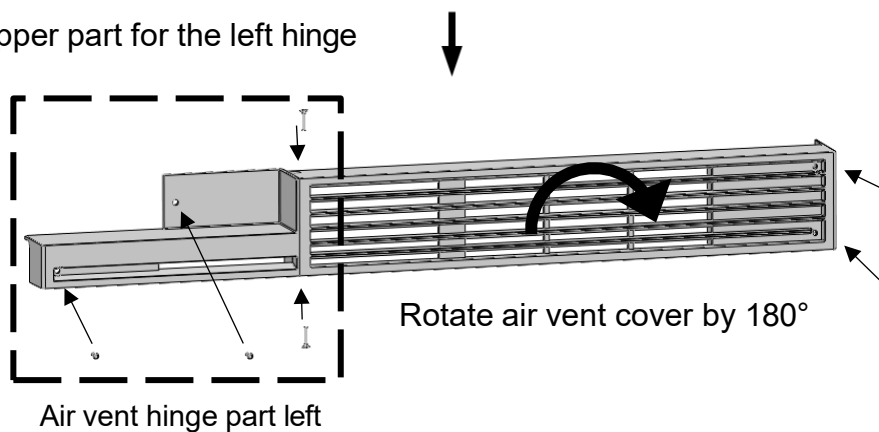


How to change air vent upper part direction

- Air vent upper part for the right hinge

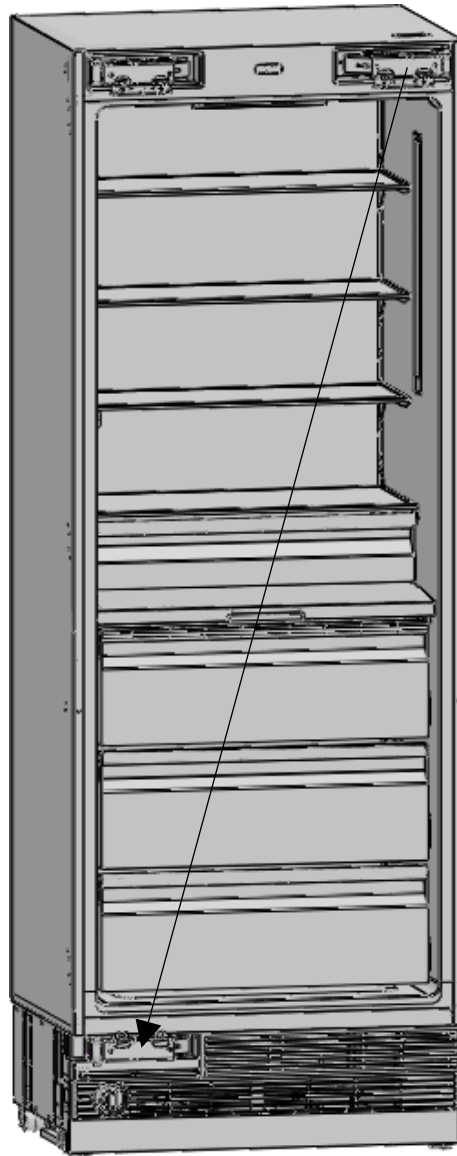
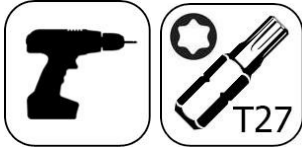


- Air vent upper part for the left hinge



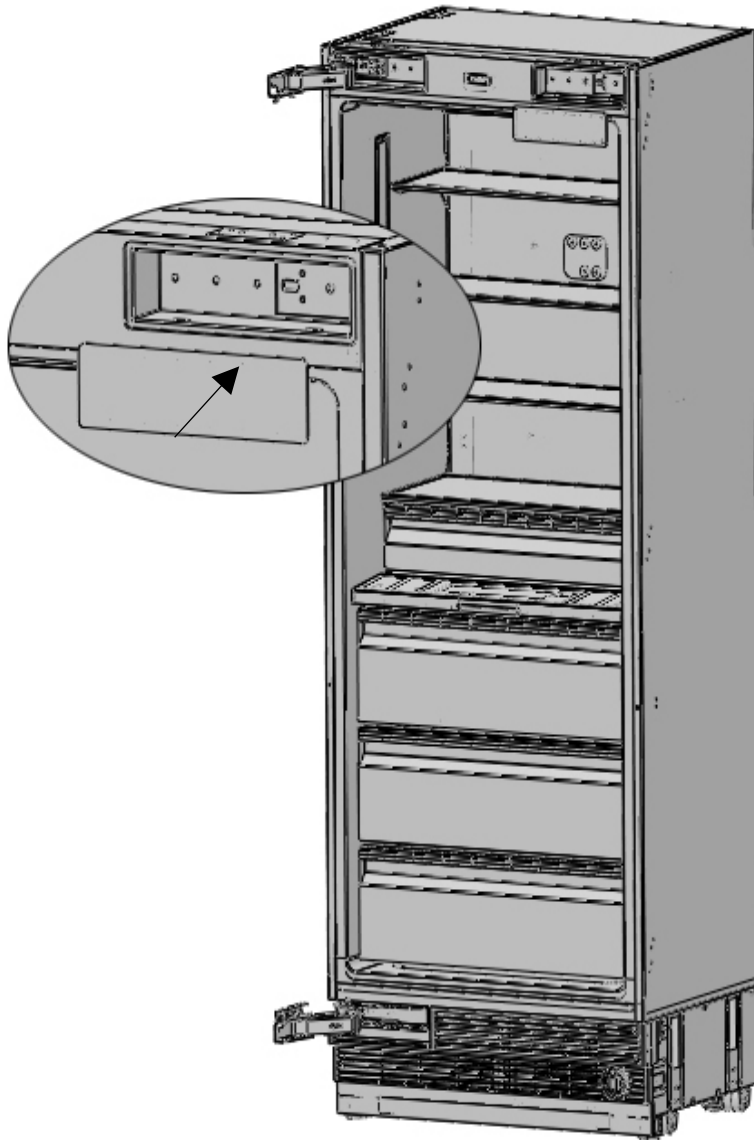
## CHANGING THE DOOR OPENING DIRECTION

- Remove the upper right hinge by loosening its 2 screws and fix it to its slot at the lower left side.



## CHANGING THE DOOR OPENING DIRECTION

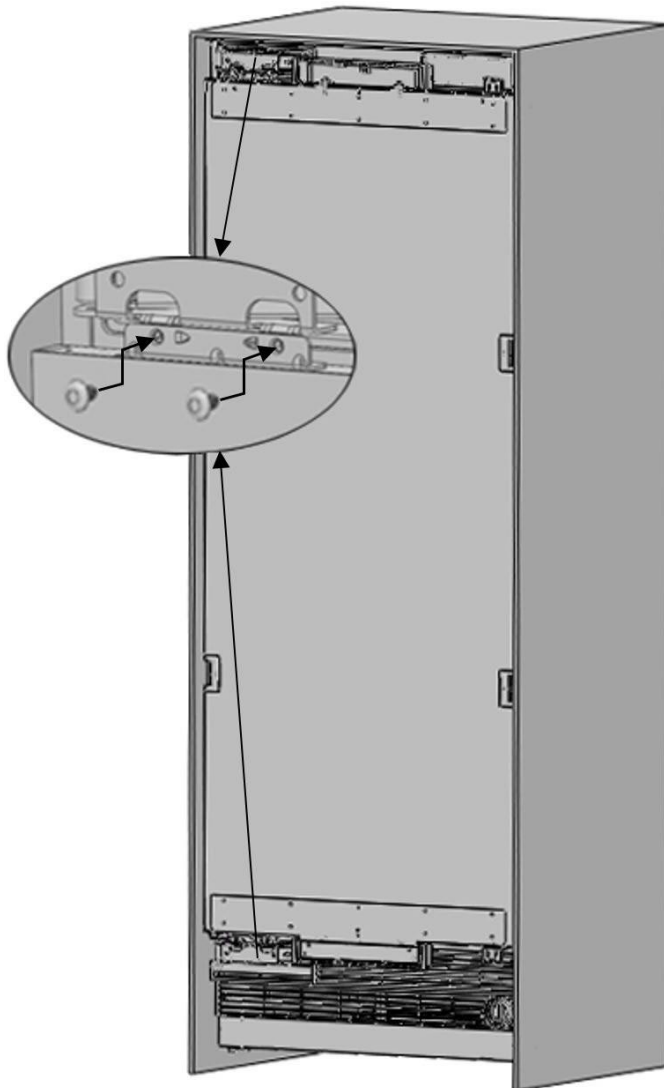
- Attach the Hinge Slot Caps removed from the left side to the Hinge Caps to the right side.



## CHANGING THE DOOR OPENING DIRECTION

### Installing the door

- Place the door to the refrigerator and fix it with 4 screws.





# CHANGING THE DOOR OPENING DIRECTION

## Installing the dual cabin

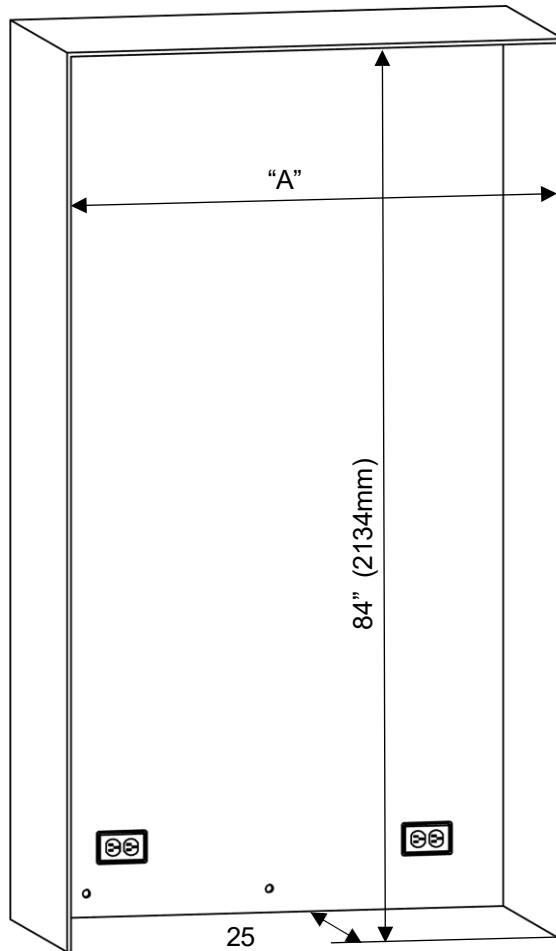
If you are going to make a dual cabin installation, you must definitely demand "Dual Cabin Installation Kit" from the authorised service.

The instructions below have been prepared according to Built-in type.

Built-in: The Appliance and Panels fully seat into the gap, and a material that can be their own box is jammed between the two kitchen cabinets or decorative columns. This is the most common installation scenario.

### Cabin Dimensions

Cabin dimensions below must be checked before starting the installation.



√ Dual cabin dimension

Category	18+24	18+30	24+24	24+30	30+30
"A" Dimension	42" (1066mm)	48" (1219mm)	48" (1219mm)	54" (1371mm)	60" (1524mm)

√ Conference

Category	XRF30CRF
Abbreviation	30

# CHANGING THE DOOR OPENING DIRECTION

## Location of the Electrical Wiring

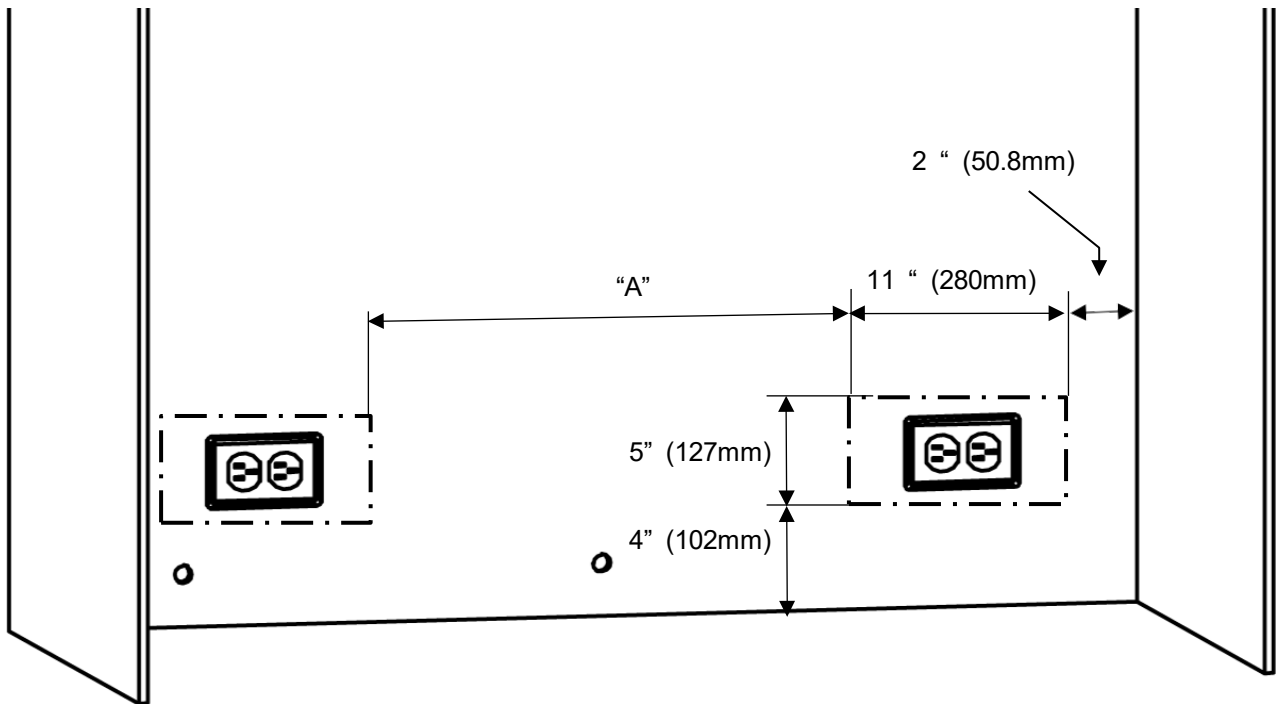
Location of the electrical wiring must be within the range given below.

### ⚠ ATTENTION:

Do not use extension cables or two-pin adaptors and do not remove the ground terminal of the grounding cable.

### ⚠ ATTENTION:

A qualified electrician must ensure that the poles of the socket are connected correctly. Verify that the grounding of the socket is correct.



Category	18+24	18+30	24+24	24+30	30+30
"A" Dimension	13" (330mm)	19" (482mm)	13" (330mm)	19" (482mm)	19" (482mm)

# CHANGING THE DOOR OPENING DIRECTION

## Location of the water system

The water connected to the water mains must be potable.

Location of the water system must be within the range given below.

Water system of the refrigerator must be connected to the water mains system in the house. The user must be able to switch it on/off with the valve when necessary.

Objects that might pierce the water hoses or cause them to twist must not be present where the water line is installed.

Pressure of the water system must be between 25-80 psi (1.7-5.5 Bar).

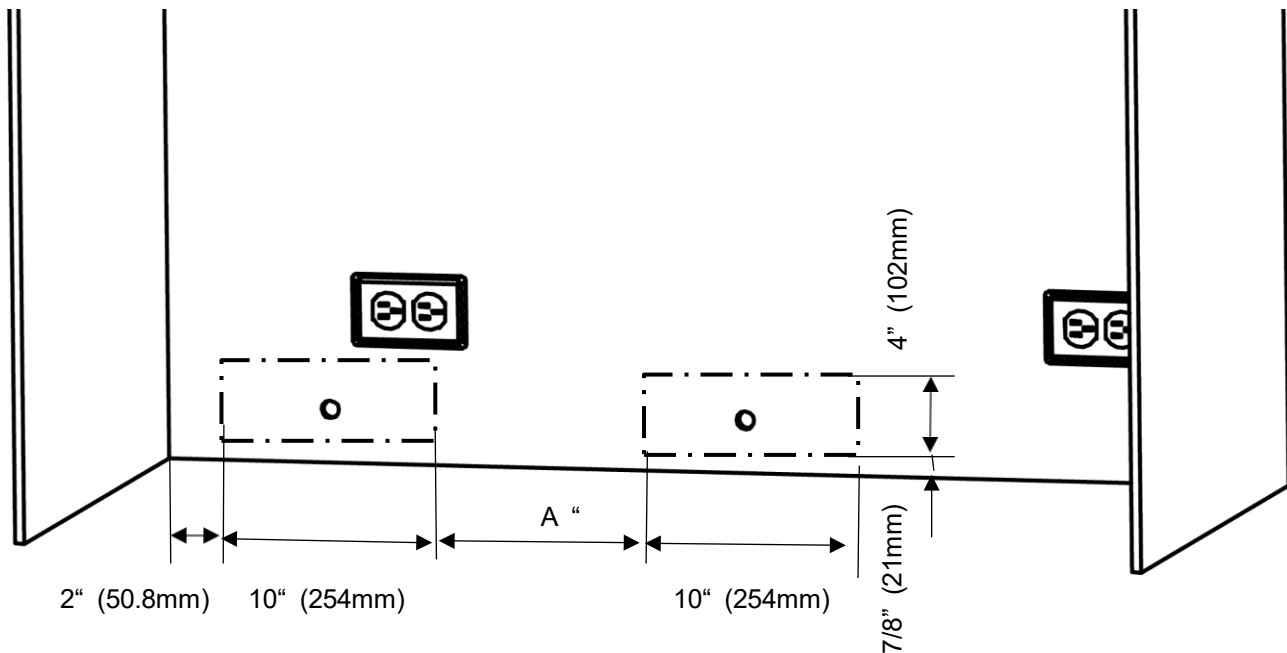
If the water pressure exceeds 80 psi, install a pressure limiting device or water impact protector to the inlet valve. Never install the product or operate the appliance if it is possible for the water pressure to exceed 120 psi.

## WARNING:

Make sure that there is no water leakage when making the water connections. Otherwise, there will be water on the floor and the furniture will get damaged.

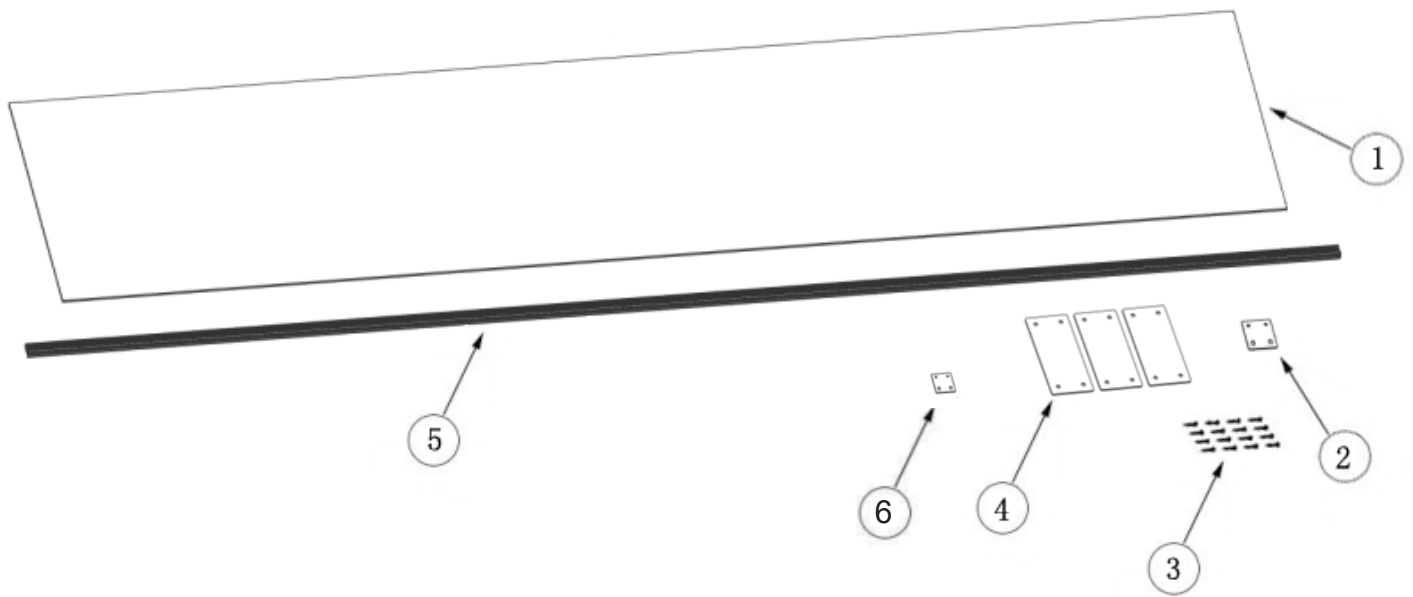
You will need a hose with a minimum length of 60" (1.5 meters) and a diameter of 1/4" for water connections of the product during installation.

A connector that has a thread with an external diameter of 1/4" must be used to connect the hose end to the product. Before completing the installation, make sure that water flows and there is no water leakage.



Category	18+24	18+30	24+24	24+30	30+30
"A" Dimension	8" (203mm)	8" (203mm)	14" (356mm)	14" (356mm)	20" (508mm)

# CHANGING THE DOOR OPENING DIRECTION



No	Part name	Spec	Q'ty	Remark
1	Insulation sponge	Sponge, gray, T3.0*400*1750	1	
2	Connecting bracket (A)	T2.0*56*41, Cr+zn-coating	1	
3	Truss washer head	M4*12	16	
4	Fastener	T2.0*56*41, Cr+zn-coating	3	
5	Trim furniture middle	PVC extrusion L=1876	1	
6	Connecting bracket (B)	T2.0*29*36, Cr+zn-coating	1	

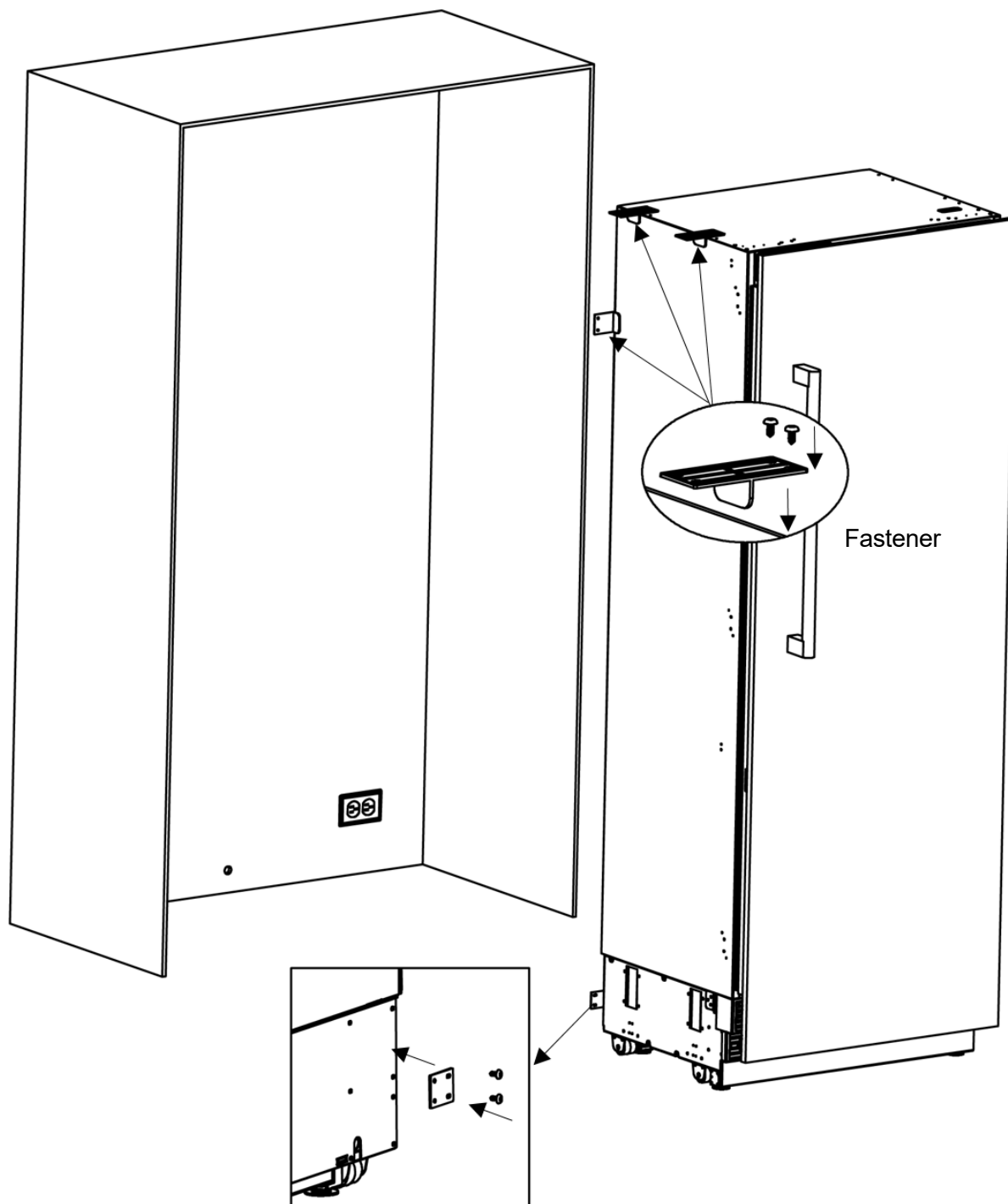


Truss washer head screw  
 Spec : M4x12  
 Fixing Refrigerator  
 Such as cabinet and door  
 (press part)

## CHANGING THE DOOR OPENING DIRECTION

### Attaching the fasteners and connecting bracket

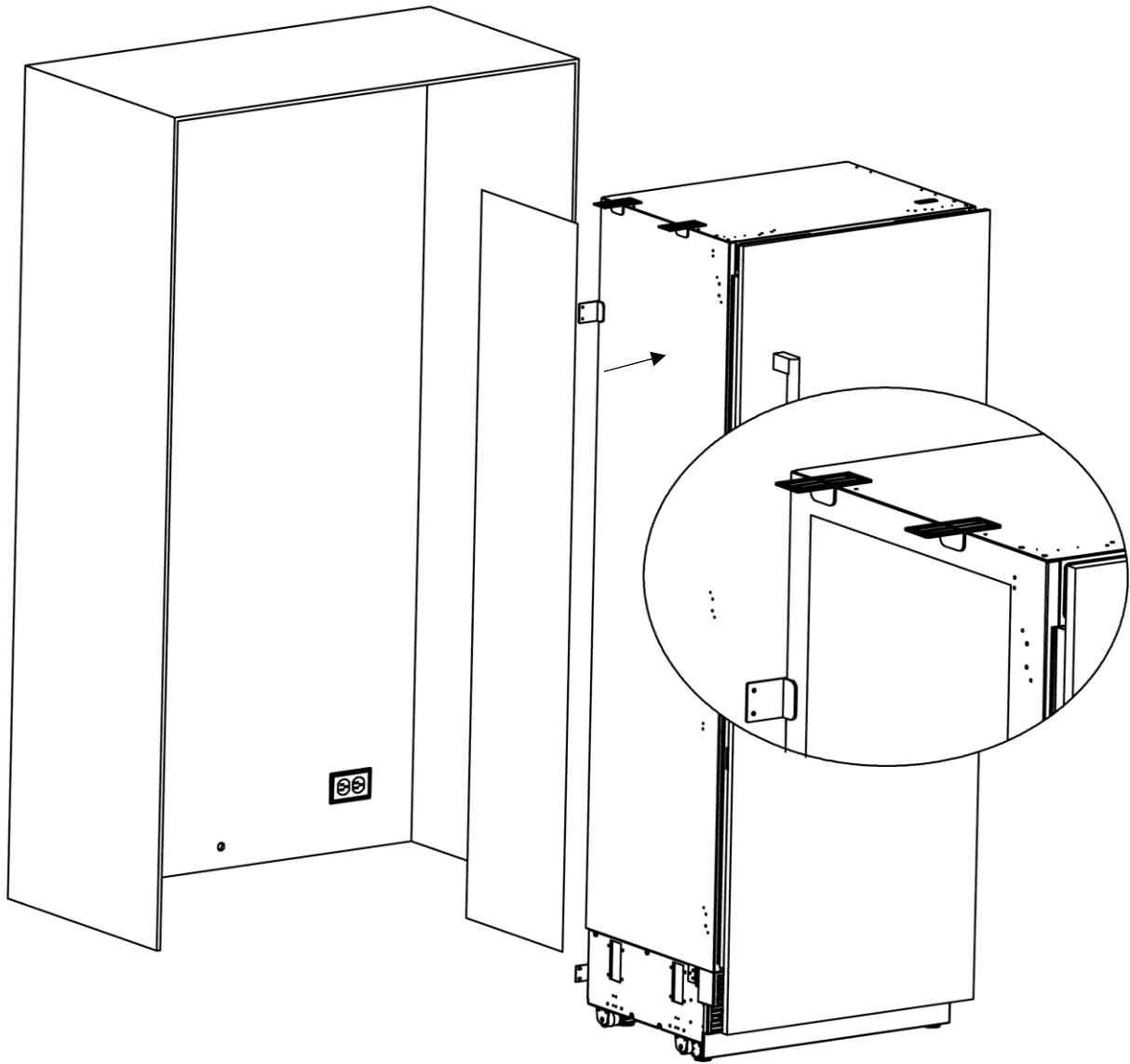
Screw (3) the Fasteners (4) that are going to be used to connect two refrigerators together to the locations shown in the figure.



Connecting bracket (A)

## CHANGING THE DOOR OPENING DIRECTION

Stick the Insulation Sponge (1) to the side panel so that the sponge remains in between two cabins.

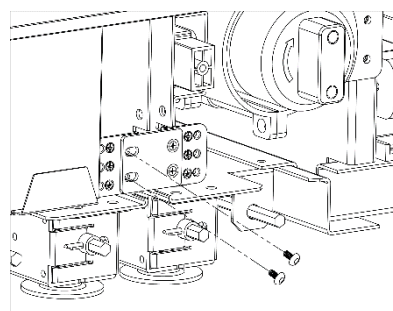
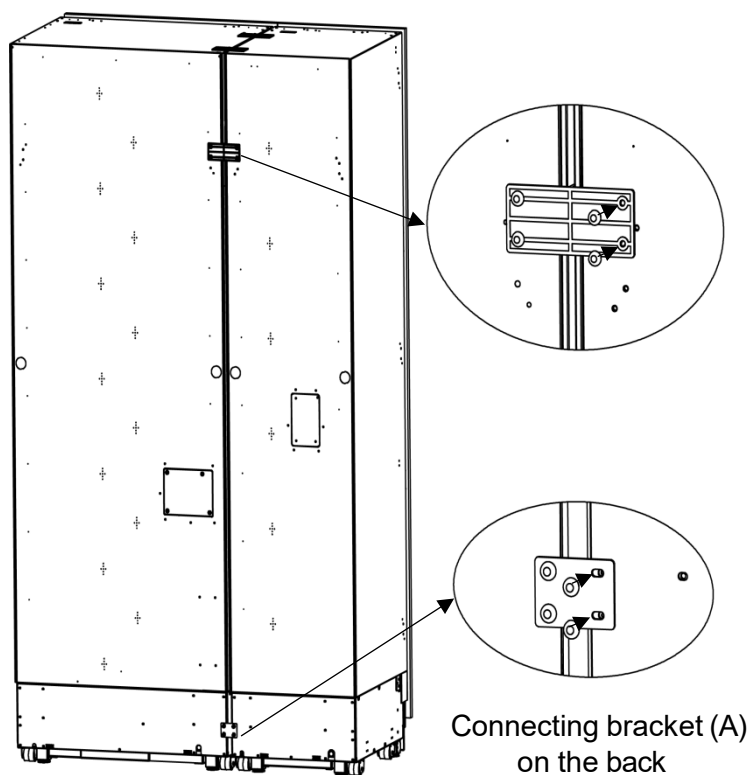
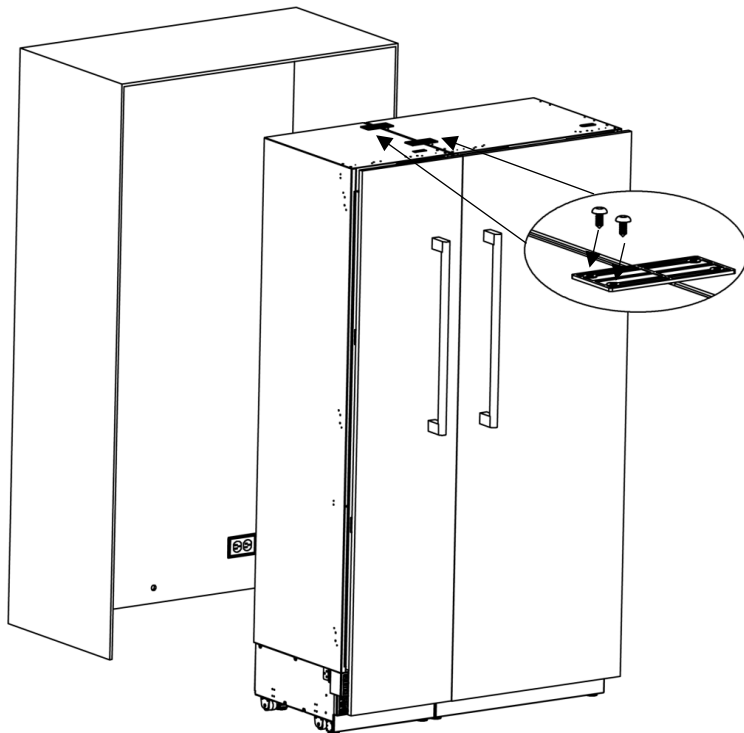


## CHANGING THE DOOR OPENING DIRECTION

Bring the two refrigerators side by side.

After making sure that they are in alignment, screw fasteners (4) to the other refrigerator.

Screw connecting bracket A (2) on the back and screw connecting bracket B (6) on the front.

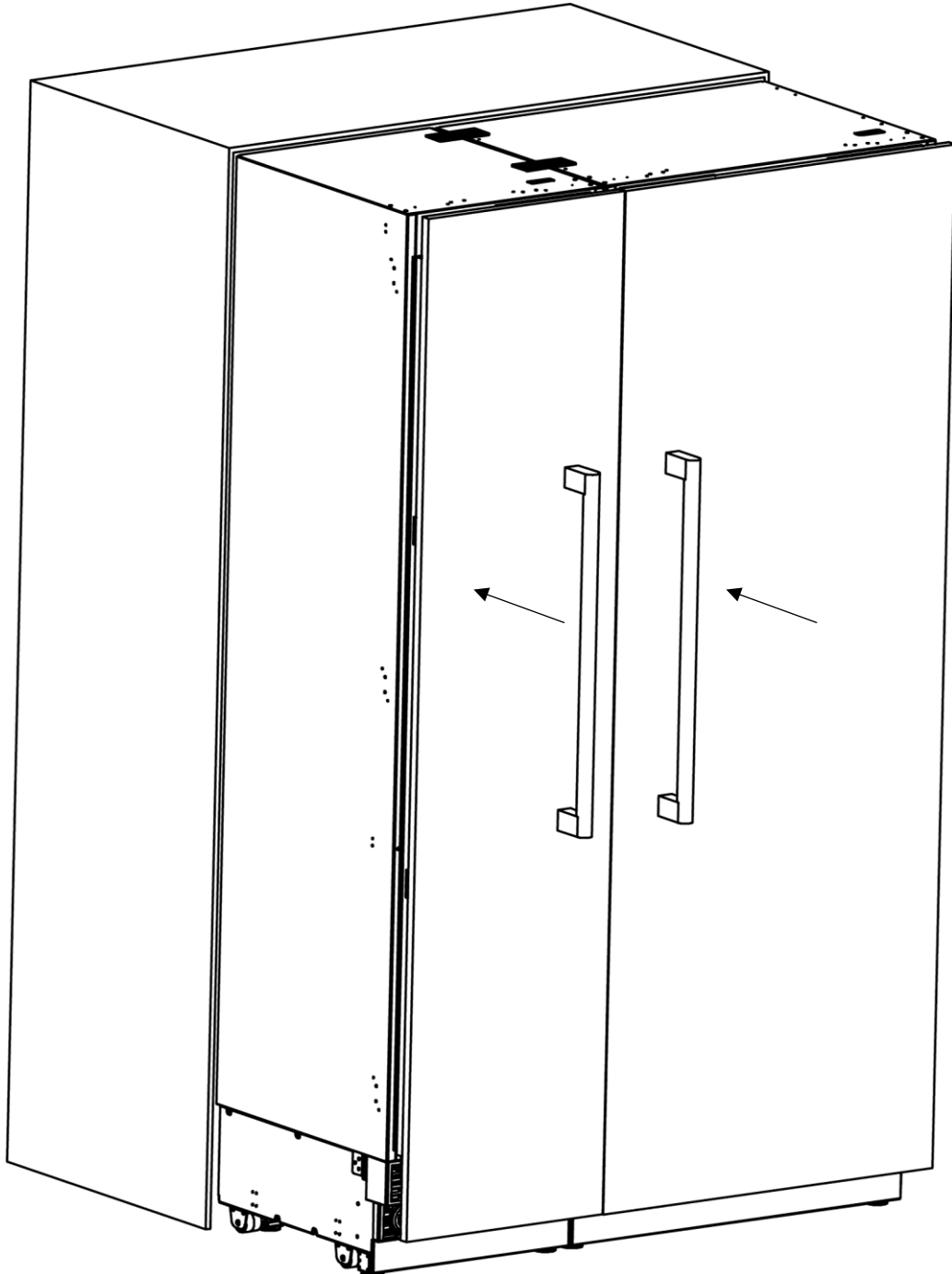


Connecting bracket (B)  
on the front

## CHANGING THE DOOR OPENING DIRECTION

Make power and water connections of the refrigerator as explained before.

Push the refrigerators into the cabin.

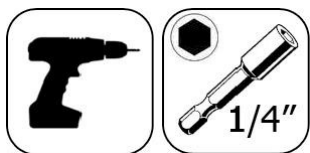




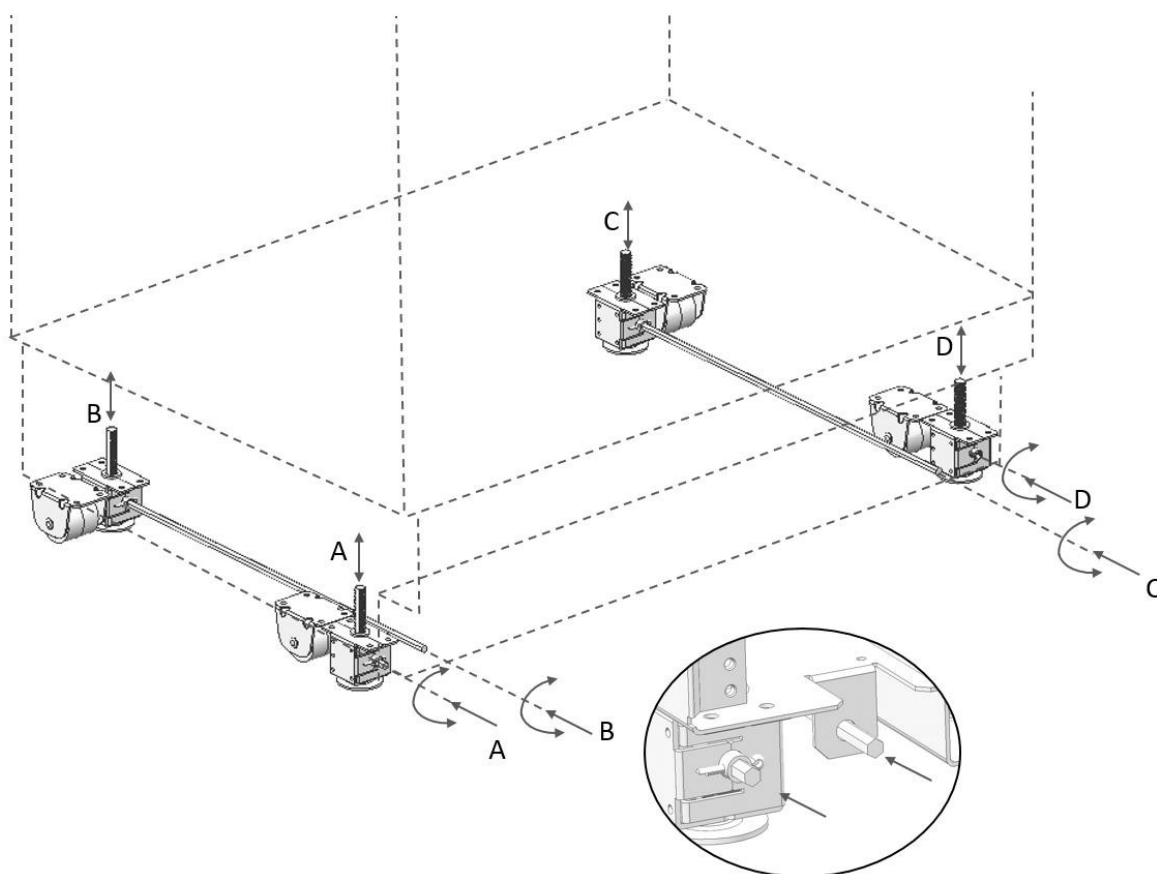
## CHANGING THE DOOR OPENING DIRECTION

### Adjusting the height of the refrigerator in the cabin

Adjust the refrigerator height using the adjustable feet.



**⚠ WARNING:**



First of all, raise the front feet to reduce the risk of the cabin falling forward.

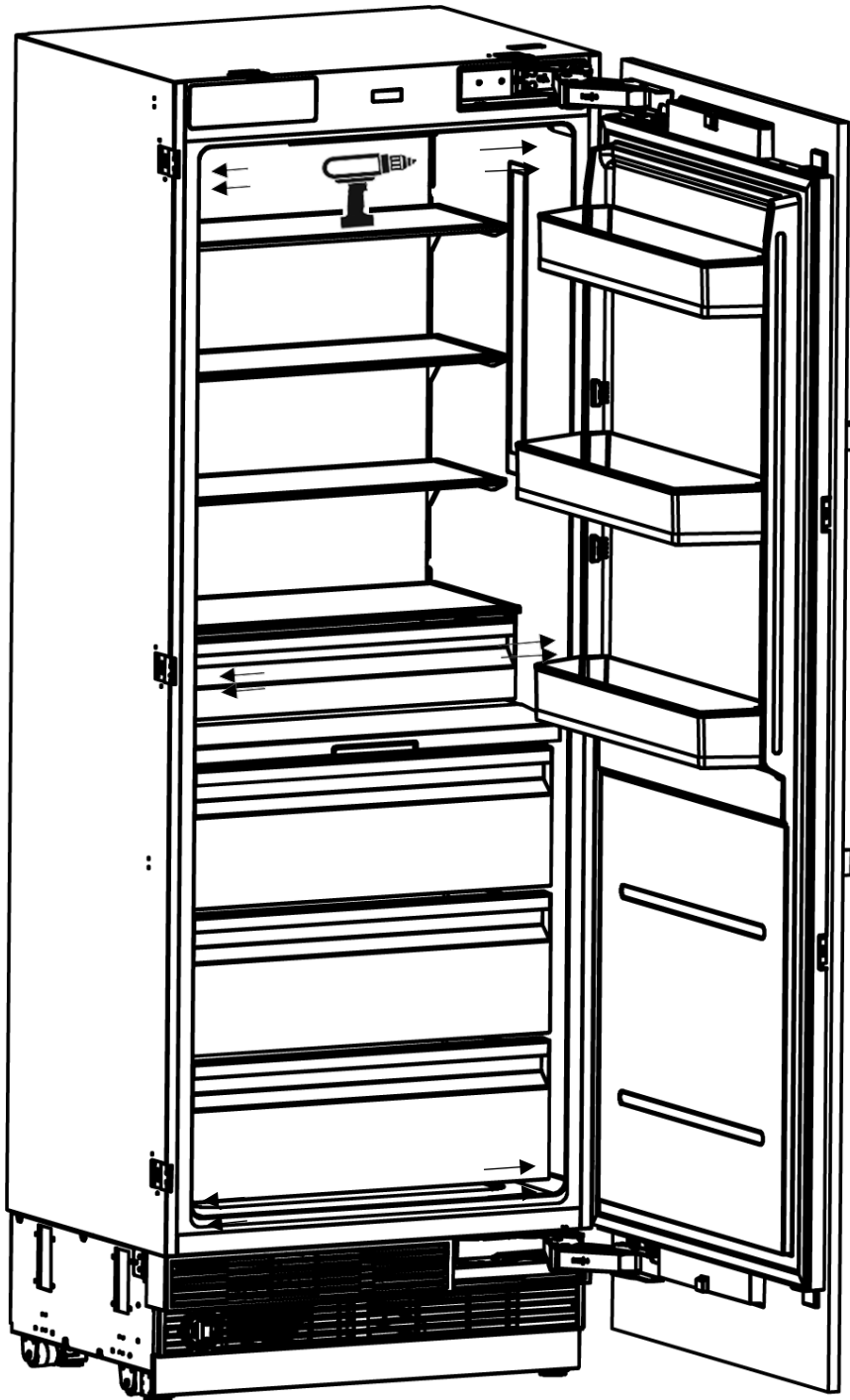
A/D – Turn the key clockwise to lift the front

B/C – Turn the key clockwise to lift the rear

## CHANGING THE DOOR OPENING DIRECTION

### Screwing the bracket furniture on the cabin side wall

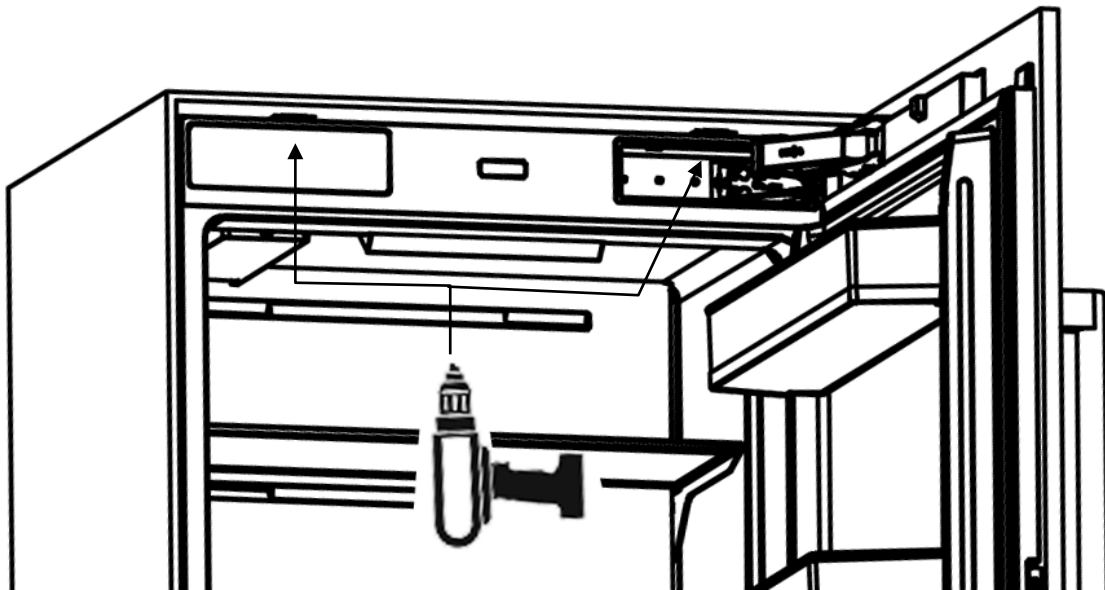
Attach the bracket furniture to the furniture with 12 screws.



## CHANGING THE DOOR OPENING DIRECTION

### Screwing the bracket furniture on the cabin top wall

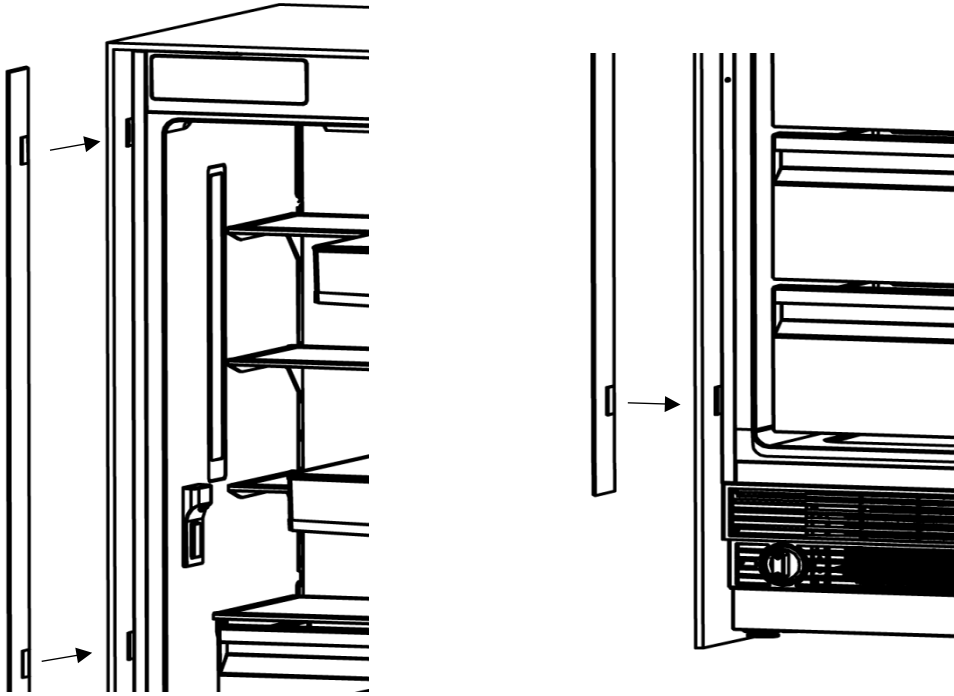
- Attach the bracket furniture to the furniture with 4screws.



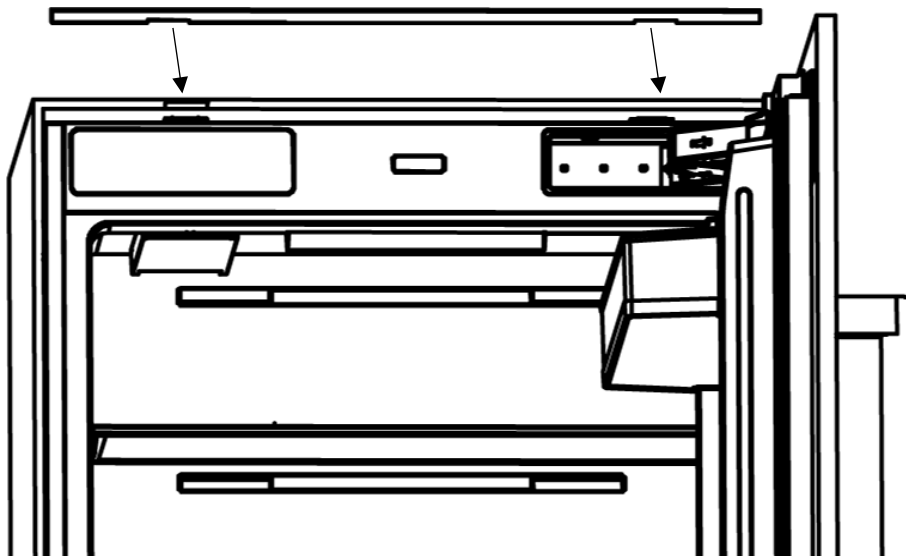
## CHANGING THE DOOR OPENING DIRECTION

### Attaching the decorative parts

Attach the side closing parts onto the right/left connection brackets.

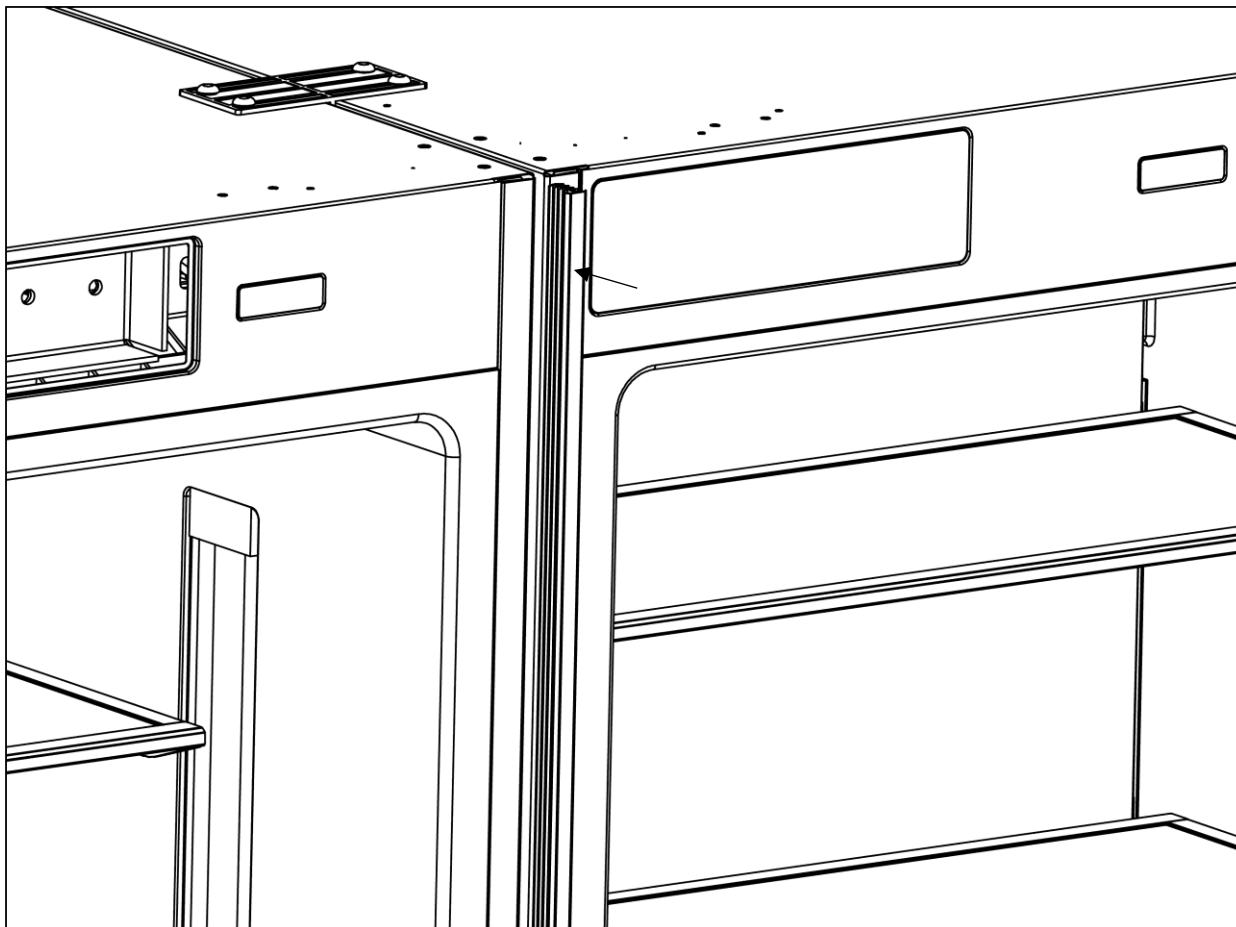


Attach the upper closing part onto the upper connection bracket.



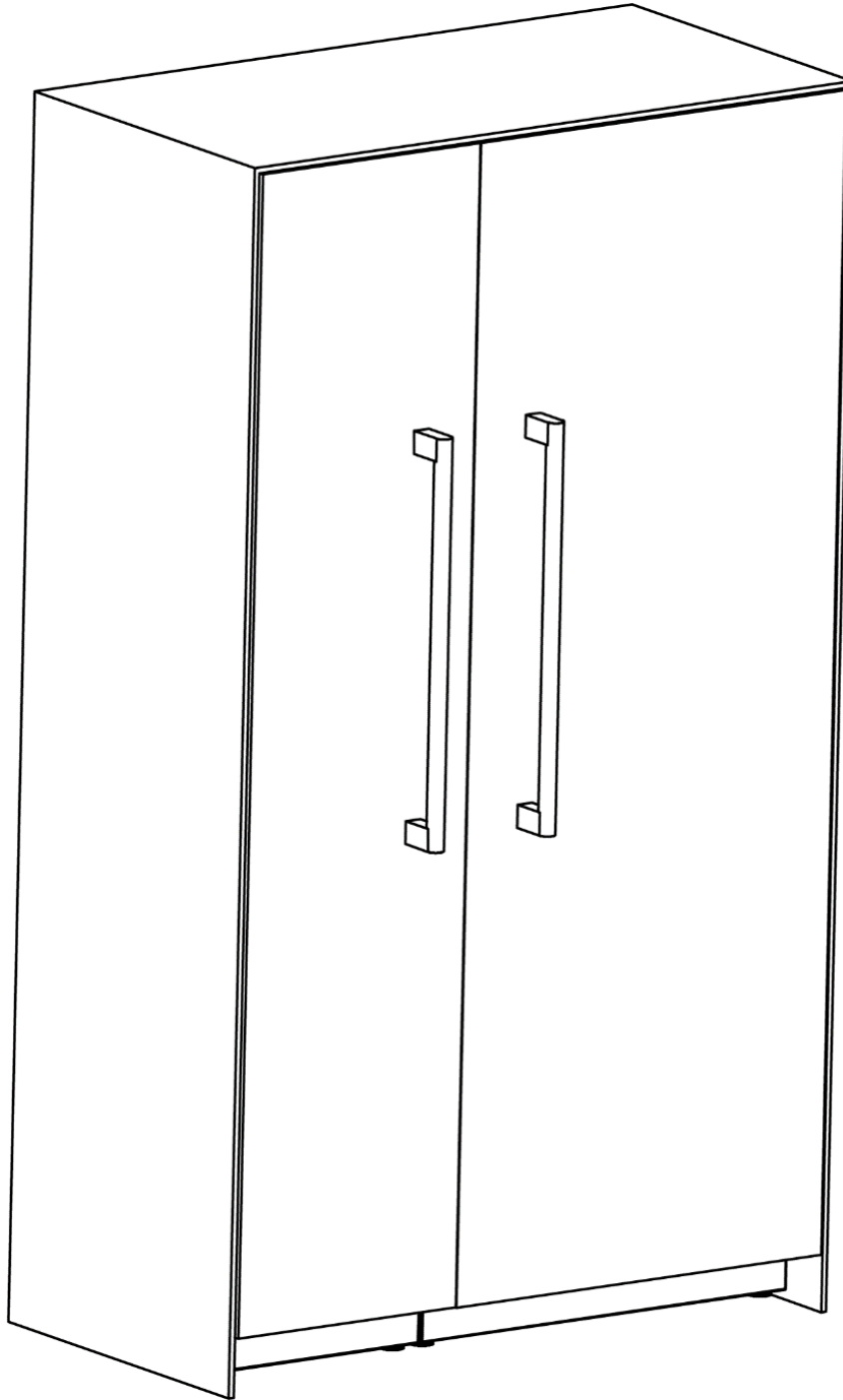
## CHANGING THE DOOR OPENING DIRECTION

Attach the middle closing parts (trim furniture middle Item No5) between two refrigerators.



## CHANGING THE DOOR OPENING DIRECTION

You can see previous pages for other installation procedures.



# WELCOME TO THE CLUB

You chose THOR Kitchen to enhance your culinary journey and we're stoked to have you in the club. Think of it as a secret society of really savvy people, such as yourself, choosing professional power and performance at an affordable price.



Register your product by following the steps below.

## WARRANTY REGISTRATION



Scan the QR code or visit  
[thorkitchen.com/warranty](http://thorkitchen.com/warranty)



Input your product info  
and select register



You're done.  
Let's get cookin'.

### WARRANTY



### NEED PARTS?

