



SCAN TO VIEW
IN YOUR KITCHEN



Product: 30-inch Built-in Microwave Speed Oven
Model Number: TM030

TECHNICAL DETAILS

Installation Type	Built-in
Color/Finish	Stainless Steel
Cavity Capacity (cu. ft.)	1.6
Microwave Power (W)	1000
Circuit Breaker (A)	20
Volts (V)	120 VAC
Frequency (Hz)	60
Plug Type	3-prong grounding plug
Power Cord Length (in.)	48
Accessories Included	Reversible Rack Turntable Ceramic Plate

CONTROL PANEL DETAILS/ FEATURES

Sensor Cook	Yes
Defrost	Yes
Child Safety Lock	Panel Lock - Activate/deactivate child-proof lock
Control Lock	Yes
Power Levels	10
Cooking Modes	Auto Defrost, Air Fry, Sensor Cook, Sensor Reheat, Popcorn, Beverage, Pizza and Auto Menu
Memory/Kitchen Timer	Yes
Start/Add-A-Minute	Yes - add 30 seconds
Timer/Clock	Yes
Memory/Kitchen Timer	Yes

FEATURES & BENEFITS

- Powerful Performance:** Boasting a 1000-watt output with 10 power levels, convection fan, broiler, and baking elements for versatile culinary adventures.
- Spacious Capacity:** 1.6 cu ft Stainless Steel Cavity for easy cleaning and spacious design.
- Ceramic Speed Cooking Plate:** 14.1 inch ceramic plate provides even heating for speed cooking and pizzas.
- Air Fry:** Experience crispy perfection while reducing oil usage for healthier indulgence.
- Multi-Use Oven Rack:** Reversible for air-fry/baking, or broiling.
- Sleek Design:** Stainless steel built-in cabinet design features a full touch LCD display that's easy to operate and clean.
- Control Panel Child Lock:** Securely keep your kitchen safe with the child lock feature.



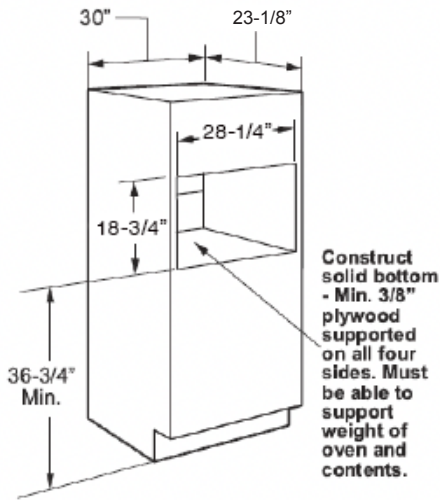
PRODUCT DIMENSIONS & WEIGHTS

Product Dimensions (WxHxD) (in.)	29-3/4 x 19-1/8 x 22-3/8
Cavity Dimensions (WxHxD) (in.)	16-1/2 x 10 x 16-1/5
Cutout Dimensions (WxHxD) (in.)	28-1/4 x 18-3/4 x 23-1/8
Turnable Diameter (in.)	14-1/10
Net Weight (lb.)	90
Gross Weight (lb.)	102

 **WARRANTY: 2 YEARS PARTS AND LABOR**

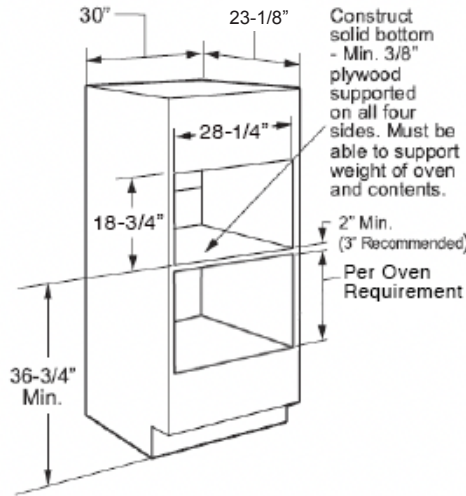


SINGLE TM030 INSTALL



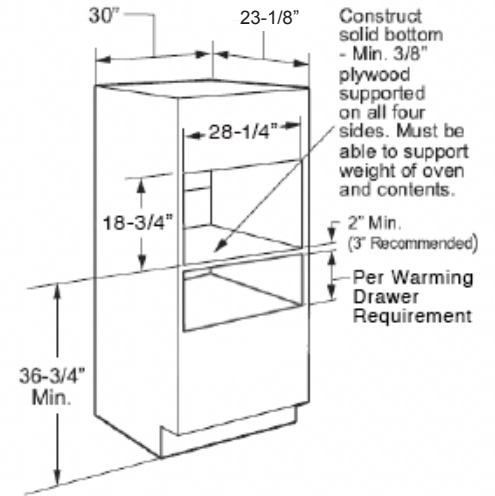
TM030 INSTALL OVER HEW3001

Installation over 30" Professional Self-Cleaning Electric Wall Oven



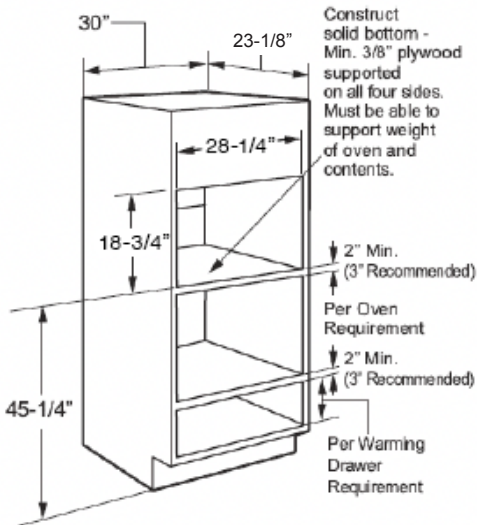
TM030 INSTALL OVER TWD3001

Installation over 30" Warming Drawer



TM030 INSTALL OVER HEW3001 / TWD3001

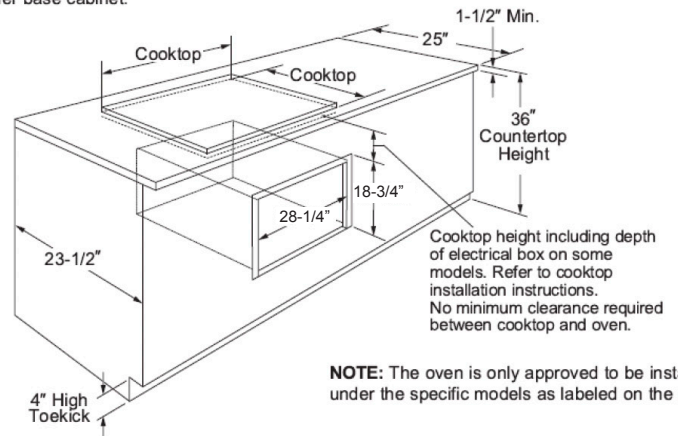
Installation over 30" Professional Self-Cleaning Electric Wall Oven and 30" Warming Drawer



TGC3001 / TIH30 / TEC30 OVER TM030

Installation under a 30" or 36" Cooktop or Countertop:

Gas or electric cooktops may be installed over this oven. See cooktop installation instructions for the cutout size. See the label on top of the oven for approved cooktop models. This oven requires a separate, properly grounded 15-Amp, 120-Volt, 60Hz power supply. The cooktop requires a separate power supply. Use a 30" or wider base cabinet.



NOTE: The oven is only approved to be installed under the specific models as labeled on the unit.