



Product: 30 INCH UNDER CABINET RANGE HOOD WITH 480CFM
Model Number: TUH3048

GENERAL PROPERTIES

Number of Speeds	3
CFM at Low / Medium / High	323 / 367 / 480
Noise Level	3
Noise Rating at Low / Medium / High	58dB / 61dB / 64dB
Ducted / Recirculating Convertible	Yes
Filter Type	Baffle Filter
Filter Qty	3
Lighting	2x1.5W warm white LED
Control Type	Button
Delay Function	Yes (5 mins)
Duct Size (in.)	7-11/16"
Duct Type	Round

PRODUCT DIMENSIONS & WEIGHTS

Product Dimensions (WxDxH) (in.)	29-3/4" x 22-1/16" x 10-1/2"
Cutout Dimensions (WxDxH) (in.)	29-15/16" x 22-1/4" x 10-11/16"
Minimum Distance Above Gas / Electric Cooking Surface	30" / 28"
Net Weight (lbs.)	48.2
Gross Weight (lbs.)	55.3
Package Dimensions (WxDxH) (in.)	32-11/16" x 16-1/8" x 26"

FEATURES & BENEFITS

- + Durable Stainless Steel Finish:** Provides a sleek, modern look that complements any kitchen style while ensuring long-lasting strength and quality.
- + Efficient 480 CFM Ventilation:** Provides effective airflow to manage everyday cooking smoke, steam, and odors.
- + Dual Installation Options (Ducted or Ductless):** Convertible ducted or ductless installation for flexible setup.
- + Easy Push Button Controls:** Simple mechanical buttons for hassle-free operation.
- + Bright, Energy-Saving LED Lights:** Illuminates the cooking surface clearly while minimizing energy use.
- + Dishwasher-safe Baffle Filters:** Removable filters trap grease and are easy to clean for long-lasting performance.
- + Three-Speed Fan Settings:** Adjustable airflow to suit light simmering or more intensive cooking.

TECHNICAL DETAILS

Mounting Type	Undercabinet
Watts (W)	263W
Amperage (Dedicated)	15A
Volts (V)	120V
Frequency (Hz)	60Hz
Plug Type	US 3-prong plug
Power Cord Length (in.)	39-3/8"



ACCESSORIES (INCLUDED)

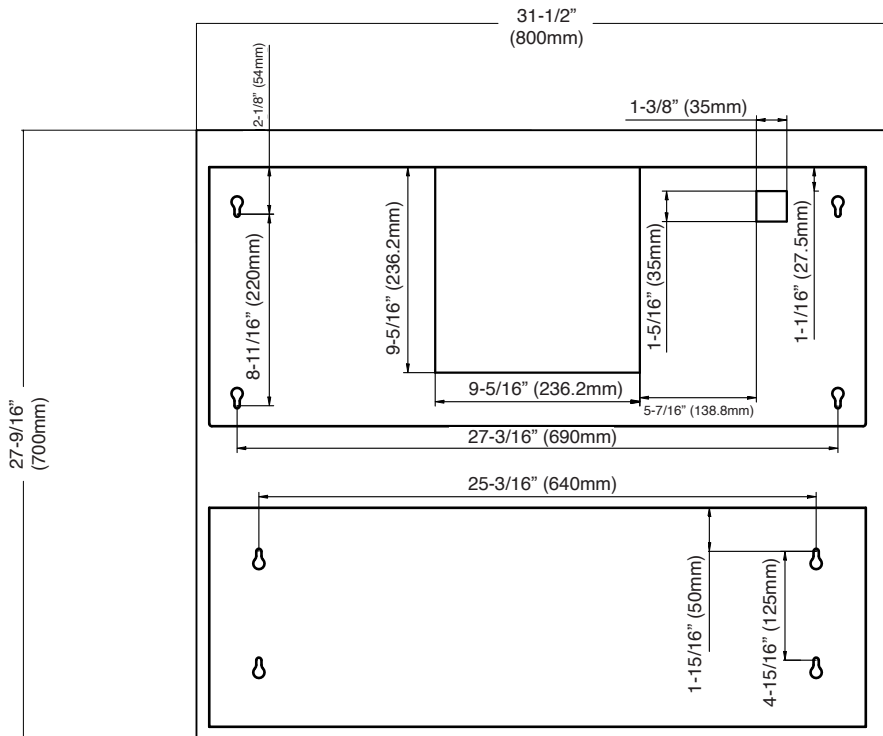
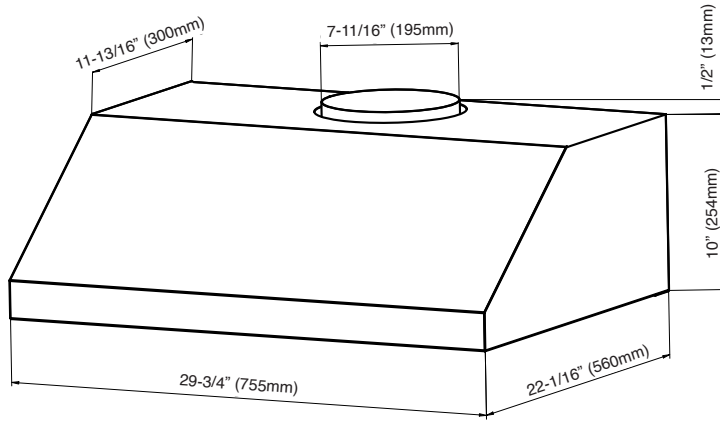
Mounting Brackets

Round Damper

ACCESSORIES (OPTIONAL)

Recirculating Kit

Charcoal Filter Replacement



Specifications subject to change without notice.