

TBR24U-LH

24 INCH SINGLE ZONE BEVERAGE CENTER

COOK LIKE A GOD

THOR
K I T C H E N[®]


USE & CARE MANUAL

USE AND CARE MANUAL

24 INCH SINGLE ZONE BEVERAGE CENTER

TBR24U-LH

THOR
K I T C H E N[®]



Thank you for choosing THOR KITCHEN. This appliance has been manufactured by Thor International, 4651 E Airport Drive, Ontario, CA 91761. This manual contains all the information you will need to install / use the appliance correctly and safely. Please read all the instructions prior using the appliance, and keep this manual in a secure place for future reference. Do not remove the attached adhesive identification label containing code, model number, manufacturer and other information from the appliance. This label will be used by the THOR KITCHEN authorized service representative in the event that your appliance needs servicing.

TABLE OF CONTENTS

IMPORTANT SAFETY INFORMATION	5
1.1 Appliance safety	5
1.2 Information for proper disposal	6
1.3 Explanation of symbols	7
1.4 Signal symbol/word definitions	7
INTENDED USE	7
APPLIANCE DESCRIPTION	8
3.1 Overview	8
3.2 Control panel description	8
3.3 Display indicators	9
BEFORE FIRST USE	9
4.1 Tools needed	10
4.2 Location requirements	10
4.3 Leveling the appliance	10
4.4 Cleaning	11
INSTALLATION	11
5.1 Installing the door handle	11
5.2 Built-in installation	11
5.3 Installing the floor mounted anti-tip brackets	12
USE	13
6.1 Switching on and off	13
6.2 Arranging and placing beverages	13
6.3 Adjusting controls and settings	14
6.4 Alarms and error codes	15
6.5 Beverage storage tips	16
CLEANING	16
MAINTENANCE	17
TRANSPORTATION	18
DISPOSAL	18
FREQUENTLY ASKED QUESTIONS	19
PRODUCT SPECIFICATIONS	20
WARRANTY	20

IMPORTANT SAFETY INFORMATION

1.1 Appliance safety

When using electrical appliances, basic safety precautions should always be followed to reduce the risk of fire, electric shock, injury and/or death including the following:

⚠ WARNING Keep ventilation openings, in the appliance enclosure or in the built-in structure, clear of obstruction.

⚠ WARNING Do not use mechanical devices or other means to accelerate the defrosting process, other than those recommended by the manufacturer.

⚠ WARNING When positioning the appliance, ensure the supply cord is not trapped or damaged.

⚠ WARNING Do not locate multiple portable socket outlets or portable power supplies at the rear of the appliance.

⚠ WARNING Do not use electrical appliances inside the food storage compartments of the appliance, unless they are of the type recommended by the manufacturer.

⚠ WARNING: Cancer
and Reproductive Harm -
www.p65warnings.ca.gov

- This appliance is not intended for use by persons (including children) with reduced physical, sensory or mental capabilities, or lack of experience and knowledge, unless they have been given supervision or instruction concerning use of the appliance by a person responsible for their safety.
- Children should be supervised to ensure that they do not play with the appliance.
- If the supply cord is damaged, it must be replaced by the manufacturer, its service agent or similarly qualified persons in order to avoid a hazard.
- The appliance must be plugged into its own dedicated 115 Volt, 60 Hz, 15 Amp, AC only electrical socket outlet. The supply cord of the appliance is equipped with a three prong grounding plug for your protection against electrical shock hazards. It must be plugged directly into a properly grounded three prong socket outlet. The socket outlet must be installed in accordance with local codes and ordinances. Consult a qualified electrician. Avoid connecting the appliance to a Ground Fault Interrupter (GFI) circuit. Do not use an extension cord or adapter plug.
- Allow disconnection of the appliance from the supply after installation. The disconnection may be achieved by having the plug accessible or by incorporating a switch in the fixed wiring in accordance with the wiring rules.
- Never unplug the appliance by pulling on the power cord. Always grip the plug firmly, and pull straight out from the socket outlet to prevent damaging the power cord.
- Unplug the appliance before cleaning to avoid electrical shock.
- Performance may be affected if the voltage varies by 10% or more. Operating the appliance with insufficient power can damage the compressor. Such damage is not covered under your warranty.
- Do not plug the appliance into an electrical socket outlet controlled by a wall switch or pull cord to prevent the appliance from being turned off accidentally.

IMPORTANT SAFETY INFORMATION

- Do not store explosive substances such as aerosol cans with a flammable propellant in the appliance. The fumes can create a fire hazard or explosion.
- Use two or more people to move and install the appliance. Failure to do so can result in back or other injury.
- This appliance is intended to be used in household and similar applications such as
 - staff kitchen areas in shops, offices and other working environments;
 - farm houses and by clients in hotels, motels and other residential type environments;
 - bed and breakfast type environments;
 - catering and similar non-retail applications.
- The maximum weight capacity for each shelf is 55 lbs (25 kg).
- The built-in LED of this appliance is not replaceable by the user. When the LED reaches its end of life, continue to use the appliance as normal.
- Never clean refrigerator parts with flammable fluids. The fumes can create a fire hazard.
- Do not store fresh milk or other fresh dairy products in this appliance.
- The flammable refrigerant isobutene (R600a) is contained within the refrigerant circuit of the appliance, a natural gas with a high level of environmental compatibility, which is nevertheless flammable. During transportation and installation of the appliance, ensure that none of the components of the refrigerant circuit becomes damaged.

1.2 Information for proper disposal

⚠ WARNING **Risk of child entrapment.** Before you throw away your old appliance:

- Take off the doors.
- Leave the shelves in place so that children may not easily climb inside.






⚠ WARNING **Risk of fire!** Flammable materials. This appliance uses refrigerant **R-600a** and must be disposed of by a qualified service technician with knowledge of appropriate gas reclamation methods.

IMPORTANT SAFETY INFORMATION




1.3 Explanation of symbols

The following symbols are used in this user manual, on the appliance, or on the packaging.

 	WARNING! Risk of fire/flammable materials.
	The ETL Listed Mark is proof that the appliance has been independently tested and meets the applicable published standard.

1.4 Signal symbol/word definitions

The following symbols are used in this user manual.

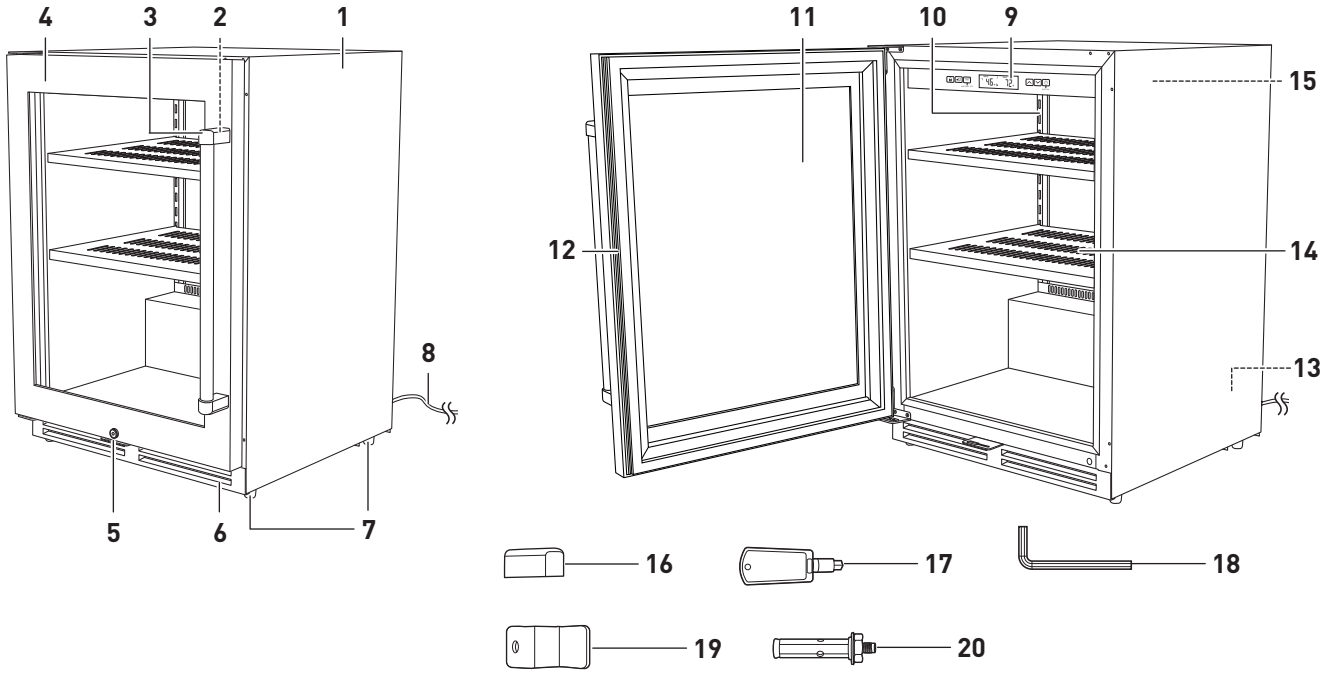
 DANGER	Indicates a potentially hazardous situation which, if not avoided, will result in death or serious injury.
 WARNING	Indicates a potentially hazardous situation which, if not avoided, could result in death or serious injury.
 CAUTION	Indicates a potentially hazardous situation which, if not avoided, may result in minor or moderate injury.
NOTICE	Indicates installation, operation or maintenance information which is important but not hazard-related.

INTENDED USE

- This appliance is intended for storing and chilling up to 154 shelf-stable beverage cans and bottles inside a kitchen, pantry, basement, garage and similar spaces.
- This appliance is designed for built-in or freestanding installation.
- This appliance is not intended for storing food or biological substances.
- For household and residential use only.

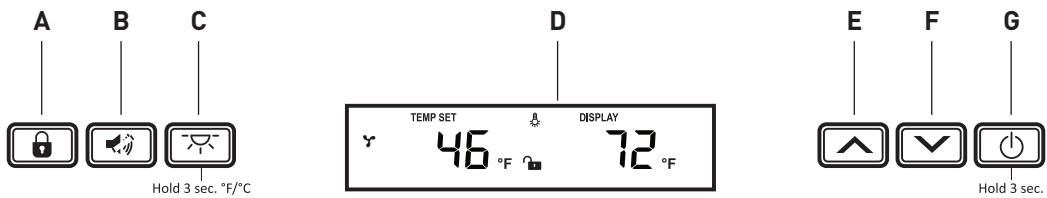
APPLIANCE DESCRIPTION

3.1 Overview









1	Housing	11	Glass panel
2	Door pins	12	Door gasket
3	Door handle	13	Anti-tip bracket slots
4	Door	14	Shelves
5	Lock	15	Interior light
6	Ventilation opening	16	End caps x 2
7	Leveling feet	17	Door keys x 2
8	Supply cord with plug	18	Hex key
9	Control panel	19	Anti-tip brackets x 2
10	Shelf brackets	20	Stud anchors x 2

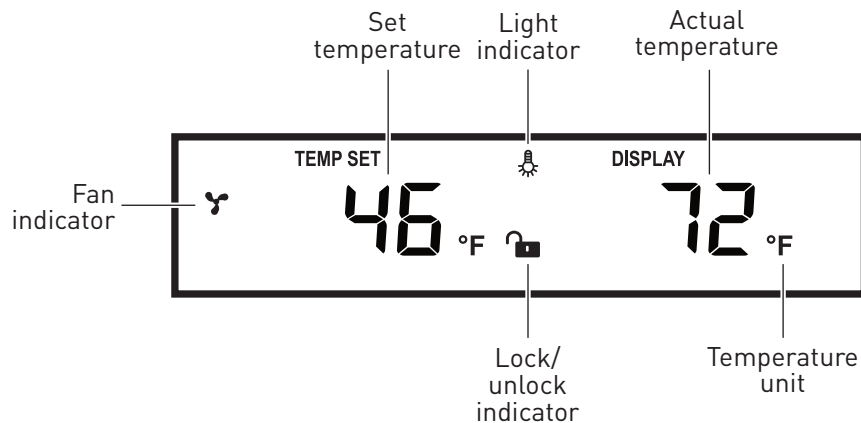
3.2 Control panel description



APPLIANCE DESCRIPTION

	Button/Part	Description
A		Lock/unlock control panel buttons
B		Mute/unmute door and temperature alarms and button sounds
C		Switch light on/off Change temperature unit (°F/°C)
D		Display
E		Increase temperature
F		Decrease temperature
G		Switch appliance on/off

3.3 Display indicators



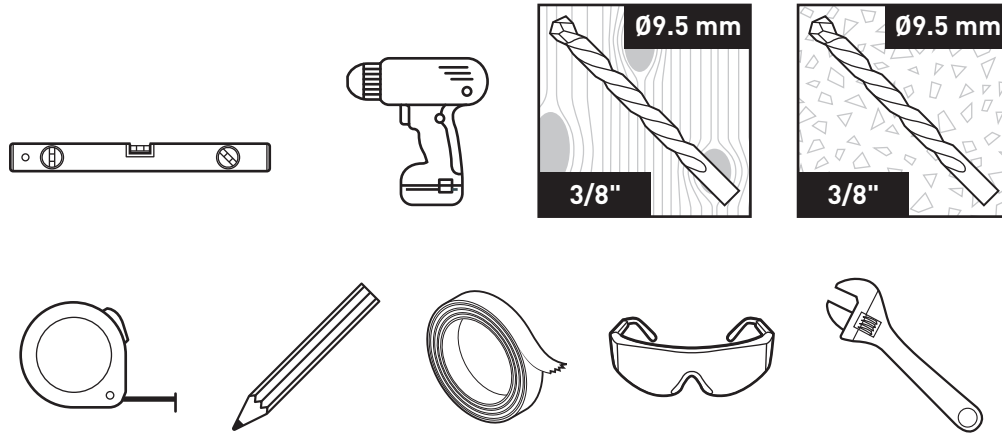
BEFORE FIRST USE

⚠ DANGER Risk of suffocation! Keep all packaging materials away from children and pets. These materials pose a threat of suffocation.

- Remove and dispose of all packaging materials.
- Check the appliance for any damage or broken parts.
- Check that all components are included.
- Let the appliance stand upright for at least 24 hours to allow the refrigerant to settle after transport.
- Let the appliance reach the set temperature before placing any beverages inside.

BEFORE FIRST USE

4.1 Tools needed



4.2 Location requirements

⚠ WARNING Risk of fire!

- Do not block the ventilation opening (6). Insufficient ventilation could cause the appliance to overheat and cause fire. Leaked refrigerant may cause fire and explosion.
- Accumulated dust on the plug may cause fire. Choose a location that prevents dust accumulation or allows access for cleaning the plug.
- The appliance should be installed near a grounded, non-GFCI, electrical socket outlet. Do not use an extension cord or an adapter plug.
- Place the appliance on a level, strong enough floor that can support a fully loaded appliance. On carpet or vinyl flooring, it is recommended to place a plastic mat underneath.
- Place the appliance out of direct sunlight and away from heat sources such as the dishwasher or range.
- Do not install the appliance in a poorly insulated or heated area to avoid affecting cooling performance or creating external condensation on the appliance.
- Leave at least 2 in (5 cm) of space behind the appliance and at least 0.8 in (2 cm) from the sides and top of the appliance for adequate air flow. Make sure there is enough space at the front to allow the door to fully open.
- Keep the appliance away from hazardous or combustible substances.

4.3 Leveling the appliance

The appliance must rest firmly on a level surface in order to function properly. If the appliance is not leveled, the door (4) may be misaligned when installed. This can lead to cooling and moisture issues if the door (4) does not completely close.

1. Place a carpenter's level on top of the appliance to check if it needs leveling.
2. Turn the leveling feet (7) clockwise to lower the appliance or counter-clockwise to raise the appliance until the carpenter's level shows the appliance is level.

BEFORE FIRST USE

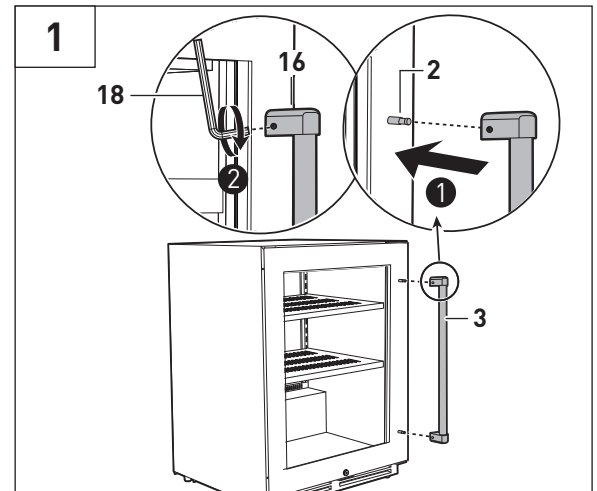
4.4 Cleaning

1. Wipe the interior surfaces and shelves (14) with lukewarm water and a soft, clean cloth.
2. Wipe dry with a soft, clean cloth.

INSTALLATION

5.1 Installing the door handle

1. Attach the end caps (16) to both ends of the door handle (3).
2. Place the assembled door handle (3) onto the door pins (2) (Fig. 1).
3. Tighten the pre-installed screws inside the end caps (16) with the hex key (18) (Fig. 1). Do not overtighten the screws.

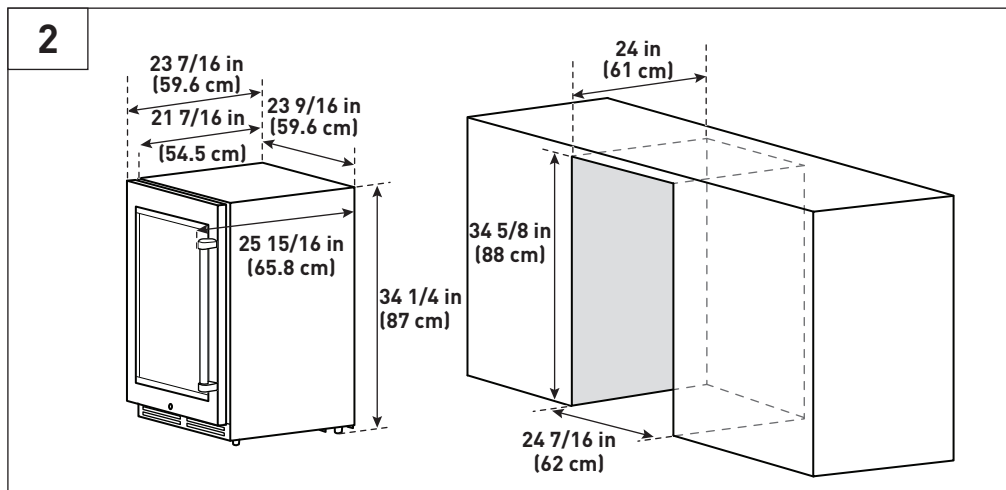


5.2 Built-in installation

CAUTION Risk of injury! Keep fingers out of the "pinch point" areas. Clearances between the door (4) and housing (1) are necessarily small. Be careful closing door (4) when children are in the area.

NOTICE Adjust the leveling feet (7) as needed before placing the appliance in a recessed location (see chapter "Leveling the appliance"). The leveling feet adjustment range is 0 - 0.4" (0 - 1 cm).

Make sure the installation area has adequate space for the appliance (Fig. 2).



INSTALLATION

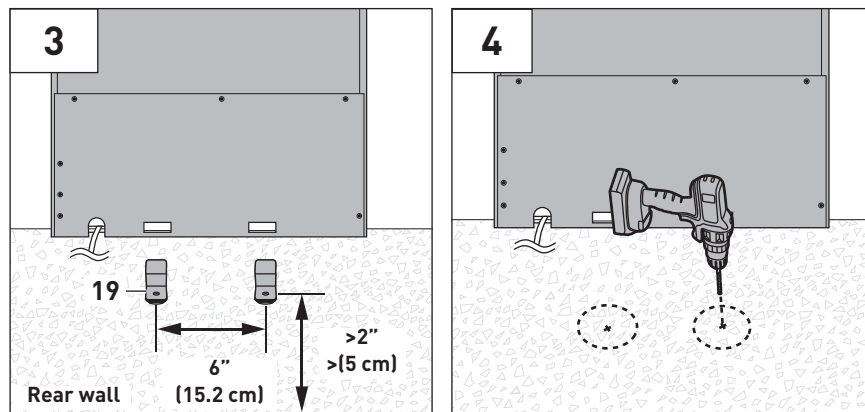
5.3 Installing the floor mounted anti-tip brackets

⚠ CAUTION Risk of injury! Wear appropriate protective gear to avoid injury.

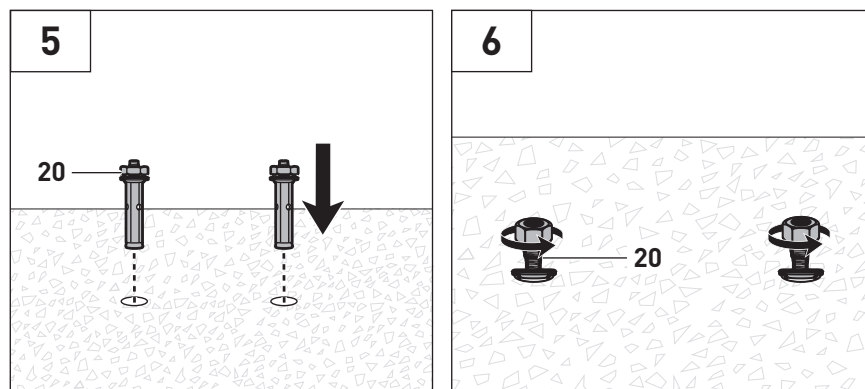
⚠ CAUTION Risk of property damage! Make sure there are no gas pipes, water pipes, or electrical wires underneath the floor.

- NOTICE**
- For installation on tiled floors: for porcelain tiles, use a carbide-tipped drill bit; for natural stone, use a diamond-tipped drill bit.
 - To prevent natural stone surfaces from overheating during drilling, drip some water on top of the mounting hole location.
 - Place masking tape around the surrounding surface to prevent scratching the area if the drill bit slips.
 - Drill at a slow speed to avoid cracking the tile.
 - For wood and concrete flooring, use a standard drill bit.
 - If in doubt about floor installation, contact a qualified professional.

1. Position the anti-tip brackets (19) 6" (15.2 cm) apart on the floor. Mark the location of the mounting holes on the floor (Fig. 3). Make sure there is at least 2 in (5 cm) of space behind the appliance.
2. Drill two mounting holes over the marked locations 1 7/16" (3.7 cm) deep using a 3/8" (9.5 mm) drill bit (Fig. 4).

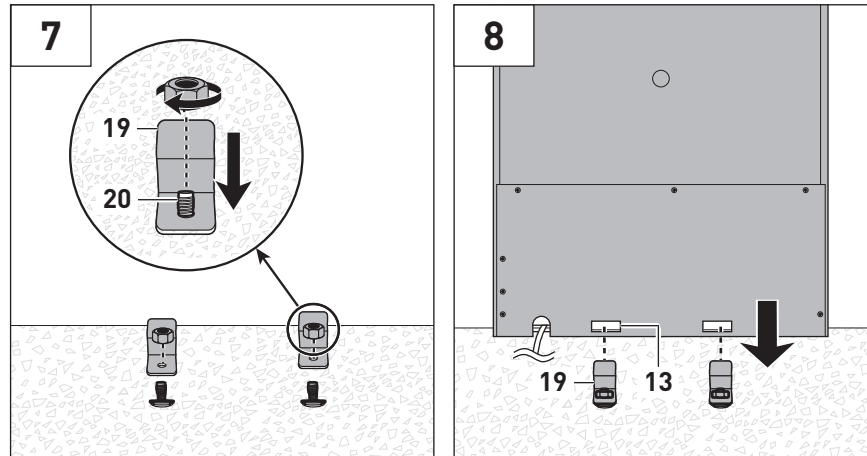


3. Insert the stud anchors (20) inside the holes (Fig. 5).
4. Remove the nuts from the stud anchors (20) (Fig. 6).



INSTALLATION

5. Place the anti-tip brackets (19) on the stud anchors (20), then refit and tighten the nuts onto the stud anchors (20) (Fig. 7).
6. Slide the appliance toward the anti-tip brackets (19) so that the brackets insert and lock completely into the anti-tip bracket slots (13) (Fig. 8).



USE

6.1 Switching on and off

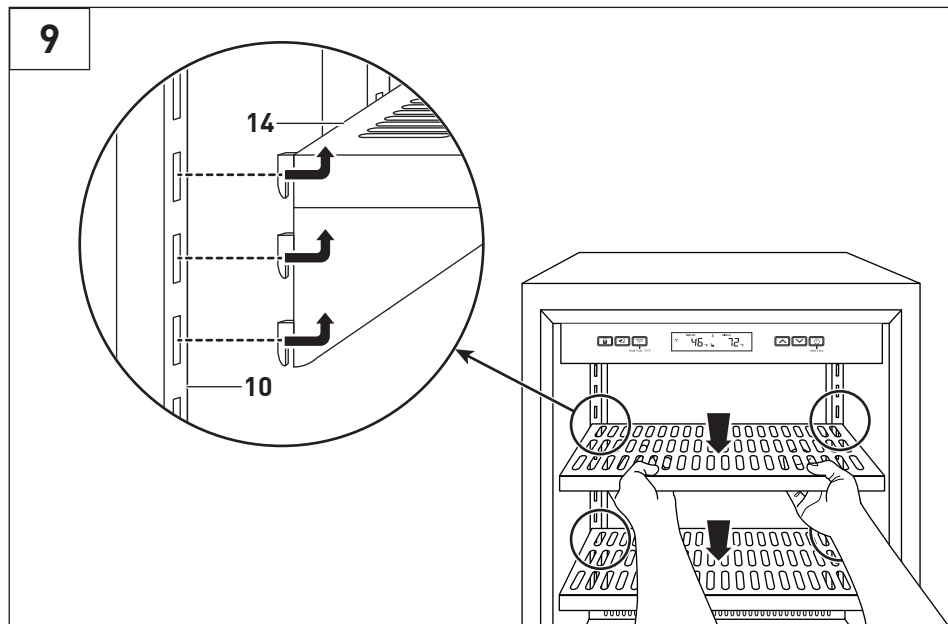
1. Connect the plug (8) to a suitable socket outlet. The appliance switches on automatically and the display (D) lights up.
2. The display (D) shows the default temperature setting, +34 °F (+7 °C).

6.2 Arranging and placing beverages

⚠ CAUTION Risk of damage or injury! Remove beverages from the shelves (14) before rearranging the shelf layout.

- Place beverages evenly across and throughout the top and bottom of the housing (1). Do not overload the shelves (14).
- Do not let the beverages touch the back of the housing (1) to allow adequate air circulation.
- Remove a shelf (14) to create extra space for oversized or oddly shaped cans or bottles, or for vertical storage (Fig. 9). To refit a shelf (14), align it inside the holes of the shelf brackets (10), then push down until the shelf (14) fits securely.
- The actual capacity depends on the size, shape and layout of the cans or bottles.

USE





6.3 Adjusting controls and settings

NOTICE The appliance's internal memory stores the last used settings. If the appliance is switched off or loses power, the previous settings appear on the display (D) when the appliance is switched back on.


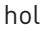
Temperature

NOTICE The temperature setting ranges from +34 °F (+1 °C) to +46 °F (+7 °C).


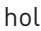
- Press the  button (E) to increase the temperature by +1 °F/+1 °C. The set value blinks for 5 seconds.
- Press the  button (F) to decrease the temperature by +1 °F/+1 °C. The set value blinks for 5 seconds.

Interior light

NOTICE If the interior light (15) is switched on, it stays on until it is manually switched off.

- Press the  button (C) once to switch the interior light (15) on or off.
- Press and hold the  button (C) for 3 seconds to toggle the temperature unit between Fahrenheit and Celsius.

Mute and unmute alarms and sounds


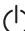
- Press the  button (B) once to mute the door alarm and temperature alarm.
- Press and hold the  button (B) for 3 seconds to mute the control panel buttons' sound.

Lock/unlock

NOTICE The control panel buttons (except for the  button (A)) lock automatically after 1 minute if no buttons are pressed on the control panel (9).

Press and hold the  button (A) for 3 seconds to lock or unlock the control panel buttons.

Power

- Press and hold the  button (G) for 1 second to switch the appliance on.
- Press and hold the  button (G) for 3 seconds to switch the appliance off.

Demo mode

NOTICE

- Demo mode is for display purposes only. The compressor, fan and door alarm do not work in demo mode.
- The LED light remains on while the door (4) is closed.

Press and hold the  button (E) and  button (F) at the same time for 3 seconds to turn on demo mode.

6.4 Alarms and error codes

Door alarm

NOTICE

- The compressor and fan stop running if the door (4) is open for more than 1 minute. They resume once the door (4) is closed.
- If the door alarm is muted, the display (D) keeps flashing to signal that the door (4) is open.

- An alarm sounds when the door (4) is open for more than 1 minute. The display (D) flashes.
- Close the door (4) to silence the alarm. The display (D) stops flashing.

Temperature alarms

NOTICE If the temperature alarm is muted, the display (D) keeps flashing to signal that the temperature has changed beyond the set temperature.

- If the temperature inside the housing (1) is +39 °F (+4 °C) lower than the set temperature for over 1 hour, an alarm sounds. The display (D) shows **LL** and flashes.
- If the temperature inside the housing (1) is +39 °F (+4 °C) higher than the set temperature for over 24 hours, an alarm sounds. The display (D) shows **HH** and flashes.

Error code guide

- When the display (D) shows **E1** or **E2**, the compressor, fan and defrosting system shut down.
- When the display (D) shows **E3** or **E4**, the compressor and fans shut down for 5 minutes, then resume immediately after.

USE

Code	Error
E1	Internal temperature sensor has a broken circuit
E2	Internal temperature sensor short-circuited
E3	Defrosting sensor has a broken circuit
E4	Defrosting sensor short-circuited
HH	High temperature alarm
LL	Low temperature alarm
Display flashes	Door open alarm

6.5 Beverage storage tips

- Set the appropriate temperature if only one type of beverage is stored.
- For storing a variety of beverages, the recommended temperature is +40 °F (+5 °C).

Beverage	Storage temperature range
Soft drinks, shelf-stable juices, sports drinks	+38 °F to +42 °F (+3 °C to +6 °C)
Beer	+38 °F to +46 °F (+3 °C to +7 °C)

CLEANING

- Switch the appliance off and disconnect the plug (8) from the socket outlet.
- Wipe away any dust from the exterior of the appliance with a soft, dry cloth.
- Remove all items and the shelves (14) from the appliance.
- Wipe away any condensation with a soft, absorbent cloth.
- Never use corrosive detergents, wire brushes, abrasive scourers, or metal/sharp utensils to clean the appliance.

Stainless steel surfaces

- Use a cleaner intended for stainless steel as needed to keep the stainless steel surfaces free from dust, fingerprints and other residue. Follow the manufacturer's instructions for best results.
- Alternatively, use undiluted white vinegar to clean stainless steel surfaces.
 - Spray the vinegar onto the surface
 - Wipe with a soft microfiber cloth, following the grain of the stainless steel surface. Do not wipe in a circular motion.
 - Dampen a clean microfiber cloth with distilled or filtered water. Wipe away any vinegar residue from the surface.
 - Wipe the surfaces dry with a soft, clean microfiber cloth.

CLEANING

Glass panel

- Use a cleaner intended for glass as needed to keep the glass panel (11) free from dust, fingerprints and other residue. Follow the manufacturer's instructions for best results.
- Avoid applying the glass cleaner on the surrounding stainless steel surface.

Interior surfaces

1. Prepare a cleaning solution of 2 tablespoons of baking soda and 1 quart (0.95 l) of water.
2. Wipe the interior surfaces with the prepared cleaning solution and a soft, clean cloth.
3. Wipe remaining residue with a soft cloth and clean water. Wipe dry with a soft, clean cloth.
4. Wipe the control panel (9) with a soft cloth and clean water. Wipe dry with a soft, clean cloth.

Shelves

- Remove all items and the shelves (14) from the appliance.
- Use a cleaner intended for stainless steel as needed to keep the shelves (14) free from dust, fingerprints and other residue. Follow the manufacturer's instructions for best results.
- Alternatively, use undiluted white vinegar to clean the shelves (14).
 - Spray the vinegar onto the surface
 - Wipe with a soft microfiber cloth, following the grain of the stainless steel surface. Do not wipe in a circular motion.
 - Dampen a clean microfiber cloth with distilled or filtered water.
 - Wipe away any vinegar residue from the shelves.
 - Wipe the shelves (14) dry with a soft, clean microfiber cloth before refitting them onto the shelf brackets (10).

Door gasket

Wipe the door gasket (12) when visibly dusty or dirty with a soft, damp cloth.

MAINTENANCE

For any servicing other than mentioned in this user manual, contact a qualified service technician for repairs and maintenance.

Defrosting

- The appliance defrosts automatically.
- The compressor stops temporarily while the fans circulate air around the coils to melt the ice.

MAINTENANCE

Power failure

- In case of power failure, avoid opening the door (4) to maintain a consistent temperature until the power is restored.
- If the plug (8) is disconnected or if the appliance is switched off, wait at least 5 minutes before switching the appliance on again. This avoids damaging the compressor.

Vacation and periods of absence

⚠ WARNING **Risk of child entrapment.** If leaving the door (4) open, make sure children cannot climb inside the appliance and become entrapped.

If leaving the appliance unused for several months:

- Switch the appliance off and disconnect the plug (8) from the socket outlet.
- Remove all items and the shelves (14) from the appliance.
- Clean the appliance (see chapter "CLEANING").
- Prop the door (4) slightly open to prevent odor and mold.

TRANSPORTATION

If moving or transporting the appliance:

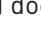
- Switch the appliance off and disconnect the plug (8) from the socket outlet.
- Remove beverages and clean the appliance (see chapter "CLEANING").
- Tape the shelves (14) securely in place inside the appliance to prevent damage.
- Tape the door (4) closed.
- Wrap the appliance with a protective cover, such as a blanket or bubble wrap.
- During transport, secure the appliance in an upright position so it does not slide or tip over.

DISPOSAL



- Dispose of the appliance according to local regulations.
- This appliance contains refrigerants and gases in the insulation. These must be removed and recycled by a qualified service technician.
- Make sure that the refrigerant tubing is not damaged prior to disposal.

FREQUENTLY ASKED QUESTIONS

Problem	Solution
The appliance does not switch on.	<ul style="list-style-type: none"> ● Check if the plug (8) is properly connected to the socket outlet. ● Check if the socket outlet is operational.
The appliance is not cold enough.	<ul style="list-style-type: none"> ● Adjust the set temperature lower. ● Reduce the amount of beverages inside the appliance. ● Open the door (4) only when necessary. ● Make sure the door (4) closes completely. ● Clean the door gasket (12).
Interior light (15) does not work.	<ul style="list-style-type: none"> ● Check if the plug (8) is properly connected to the socket outlet. ● Press the  button (C) to switch the interior light (15) on. ● The circuit breaker may be tripped or there is a blown fuse.
The compressor and fan switch on and off frequently.	<ul style="list-style-type: none"> ● The ambient temperature may be higher than normal. If possible, adjust the ambient temperature. ● Reduce the amount of beverages inside the appliance. ● Open the door (4) only when necessary. ● Make sure the door (4) closes completely. ● Clean the door gasket (12).
The appliance makes unusual noise.	<ul style="list-style-type: none"> ● Make sure the appliance is on stable and level ground. Adjust the leveling feet (7) if necessary. ● Move the appliance to make sure it does not touch surrounding objects or walls. ● Gurgling noises are a result of refrigerant flowing through the refrigerant system. This is normal.
Condensation builds up inside and outside the appliance and door (4).	<ul style="list-style-type: none"> ● The ambient temperature may be higher than normal. If possible, adjust the ambient temperature. ● Open the door (4) only when necessary. ● Make sure the door (4) closes completely.

PRODUCT SPECIFICATIONS

Rated voltage	115 V AC, 60 Hz
Rated power	100 W, 2.8 A
Protection class	I
Cooling temperature range	+34 °F to +46 °F (+1 °C to +7°C)
Maximum capacity	5.3 ft ³ (150 L), 154 standard beverage cans
Refrigerant type	R-600a, 1.2 oz (33 g)
Foaming agent	Cyclopentane (C ₅ H ₁₀)
Cooling system	Compressor cooling
Climate type	SN
IP rating	IPX4
Net weight	124 lbs (56.25 kg)
Dimensions (W x D x H)	23 7/16 x 23 7/16 x 34 1/4" (59.6 x 59.5 x 87 cm)

WARRANTY



Warranty & Service

This appliance has been manufactured by Thor International, 4651 E Airport Drive, California 91761

For Customer Service, please call (877) 288 - 8099

For the most up to date warranty and service policy, please refer to our website
WWW.THORKITCHEN.COM/WARRANTY-REGISTRATION

For in-warranty service requests, please visit our website at
WWW.THORKITCHEN.COM/SERVICE

Please Note: You must provide proof of purchase or installation date for any in-warranty service requests

TABLE DES MATIÈRES

REMARQUE IMPORTANTE CONCERNANT LA SÉCURITÉ	22
1.1 Sécurité de l'appareil	22
1.2 Consignes relatives à une mise au rebut correcte	23
1.3 Explication des symboles	24
1.4 Définitions des symboles/mots indicateurs	24
UTILISATION PRÉVUE	25
DESCRIPTION DE L'APPAREIL	25
3.1 Vue d'ensemble	25
3.2 Description du panneau de commande	26
3.3 Icônes de l'écran	26
AVANT LA PREMIÈRE UTILISATION	27
4.1 Outils Nécessaires	27
4.2 Exigences sur l'emplacement	27
4.3 Nivellement de l'appareil	28
4.4 Nettoyage	28
INSTALLATION	28
5.1 Installation de la poignée de la porte	28
5.2 Installation encastrée	29
5.3 Installation des supports anti-basculement montés sur le plancher	29
UTILISATION	31
6.1 Mise sous ou hors tension	31
6.2 Disposition et mise en place des boissons	31
6.3 Réglage des commandes et des paramètres	31
6.4 Alarmes et codes d'erreur	33
6.5 Conseils relatifs au stockage de boissons	33
NETTOYAGE	34
ENTRETIEN	35
TRANSPORT	36
MISE AU REBUT	36
FOIRE AUX QUESTIONS	37
CARACTÉRISTIQUES DU PRODUIT	38
GARANTIE	38

REMARQUE IMPORTANTE CONCERNANT LA SÉCURITÉ

1.1 Sécurité de l'appareil

Lorsque vous utilisez des appareils électriques, il convient de toujours respecter des mesures de sécurité élémentaires afin de réduire tout risque d'incendie, d'électrocution, de blessures et/ou de mort. Ces mesures sont les suivantes :

⚠ AVERTISSEMENT Veillez à ce que les ouvertures d'aération, dans l'enceinte de l'appareil ou dans la structure intégrée, soient exemptes de toutes obstructions.

⚠ AVERTISSEMENT Ne pas utiliser de dispositifs mécaniques ni aucun autre moyen afin d'accélérer le processus de dégivrage autres que ceux recommandés par le fabricant.

⚠ AVERTISSEMENT Lorsque vous positionnez l'appareil, veillez à ce que le cordon d'alimentation ne soit ni coincé ni endommagé.

⚠ AVERTISSEMENT Ne pas placer de prises de courant multiples ou de blocs multiprises portatifs à l'arrière de l'appareil.

⚠ AVERTISSEMENT Ne pas utiliser d'appareils électriques à l'intérieur des compartiments d'entreposage des aliments de l'appareil, sauf si ceux-ci sont du type recommandé par le fabricant.

⚠ AVERTISSEMENT : cancer
et troubles de la reproduction -
www.p65warnings.ca.gov

- Cet appareil n'est pas conçu pour être utilisé par des personnes (y compris des enfants) dont les capacités physiques, sensorielles ou mentales sont réduites, ou qui manquent d'expérience et de connaissances, à moins qu'elles ne soient sous surveillance ou aient des instructions concernant l'utilisation de l'appareil de la part d'une personne chargée de leur sécurité.
- Les enfants doivent être surveillés afin de s'assurer qu'ils ne jouent pas avec l'appareil.
- En cas d'endommagement du cordon d'alimentation, il doit être remplacé par le fabricant, son agent à l'entretien et en réparation ou des personnes possédant des qualifications similaires afin de prévenir tout risque.
- L'appareil doit être branché à sa propre prise de courant de 115 volts, 60 Hz, 15 ampères, CA exclusivement. Le cordon d'alimentation de l'appareil est équipé d'une fiche de mise à la terre tripolaire pour vous protéger contre tous risques d'électrocution. Il doit être branché directement à une prise de courant à trois plots correctement mise à la terre. La prise de courant doit être installée conformément aux codes et règlements locaux. Veuillez consulter un électricien qualifié. Évitez de brancher l'appareil sur un circuit protégé par un disjoncteur de fuite de terre (DDFT). Ne pas utiliser de cordons prolongateurs ni de fiche d'adaptation.
- Permettez le débranchement de l'appareil de la source d'alimentation après installation. Le débranchement peut être effectué en rendant la fiche accessible ou en incorporant un interrupteur dans le câblage fixe conformément aux règles de câblage.
- Ne jamais débrancher l'appareil en tirant sur le cordon d'alimentation. Saisissez toujours fermement la fiche, retirez-la de la prise de courant afin d'éviter d'endommager le cordon d'alimentation.
- Débranchez l'appareil avant de le nettoyer afin de prévenir tout risque d'électrocution.

REMARQUE IMPORTANTE CONCERNANT LA SÉCURITÉ

- Les performances de l'appareil peuvent être affectées si la tension varie de 10 % ou plus. L'utilisation de l'appareil à une puissance insuffisante risque d'endommager le compresseur. Ces dommages ne sont pas couverts par la garantie.
- Ne pas brancher l'appareil à une prise de courant commandée par un interrupteur mural ou une tirette afin de prévenir toute mise hors tension accidentelle de l'appareil.
- Ne pas stocker dans l'appareil des substances explosives, notamment des bombes à aérosol contenant un agent propulseur inflammable. Les fumées peuvent créer des risques d'incendie ou d'explosion.
- Le déplacement et l'installation de l'appareil doivent être effectués par au moins deux personnes. Le non-respect de cette consigne peut entraîner des blessures au dos ou autres.
- Cet appareil est conçu pour être utilisé dans des applications domestiques et similaires, notamment :
 - les coins cuisines pour le personnel dans les magasins, les bureaux et autres environnements de travail;
 - les maisons de fermes et par les clients d'hôtels, de motels et d'autres environnements de type résidentiel;
 - les environnements de la formule chambre et petit-déjeuner;
 - le service traiteur et les applications similaires de gros.
- Capacité de charge maximale de chaque clayette : 55 lb (25 kg).
- La lampe LED intégrée de cet appareil n'est pas remplaçable par l'utilisateur. Lorsque la lampe LED atteint sa fin de vie, continuez à utiliser l'appareil normalement.
- Ne jamais nettoyer les pièces du réfrigérateur avec des liquides inflammables. Les vapeurs peuvent créer un risque d'incendie.
- Ne pas conserver de lait frais ou tous autres produits laitiers frais dans cet appareil.
- Le circuit frigorifique de l'appareil contient un réfrigérant inflammable, l'isobutène (R600a), un gaz naturel très respectueux de l'environnement, mais néanmoins inflammable. En cours de transport et d'installation de l'appareil, veillez à ce qu'aucun des composants du circuit frigorifique ne soit endommagé.

1.2 Consignes relatives à une mise au rebut correcte

⚠ AVERTISSEMENT **Risques de piégeage des enfants.** Avant de vous débarrasser de votre appareil usagé :

- Enlevez les portes.
- Laissez les clayettes en place afin que les enfants ne puissent pas grimper facilement à l'intérieur.

REMARQUE IMPORTANTE CONCERNANT LA SÉCURITÉ



⚠ AVERTISSEMENT **Risques d'incendie!** Matériaux inflammables. Cet appareil consomme le réfrigérant **R-600a** et doit être mis au rebut par un technicien à l'entretien et en réparation qualifié connaissant les méthodes appropriées de récupération des gaz.

1.3 Explication des symboles

Les symboles suivants sont utilisés dans ce manuel d'utilisation, sur l'appareil ou sur l'emballage.

	<p>AVERTISSEMENT! Risques d'incendie/matériaux inflammables.</p>
	<p>Le label ETL est la preuve que l'appareil a subi des tests indépendants et qu'il est conforme à la norme publiée en vigueur.</p>

1.4 Définitions des symboles/mots indicateurs

Les symboles suivants sont utilisés dans le présent manuel d'utilisation.

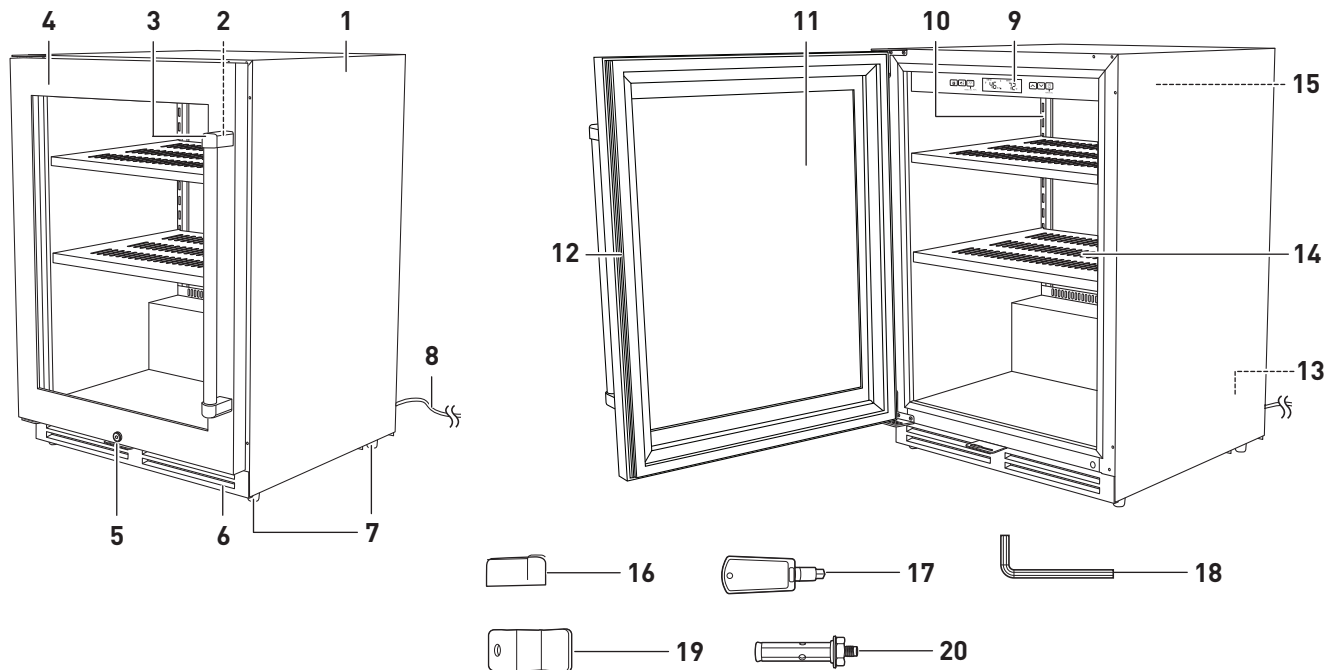
<p>DANGER</p>	<p>Ce mot indique une situation potentiellement dangereuse qui, si elle n'est pas évitée, risque d'entraîner des blessures graves, voire la mort.</p>
<p>AVERTISSEMENT</p>	<p>Ce mot indique une situation potentiellement dangereuse qui, si elle n'est pas évitée, peut entraîner des blessures graves, voire la mort.</p>
<p>ATTENTION</p>	<p>Ce mot indique une situation potentiellement dangereuse qui, si elle n'est pas évitée, peut entraîner des blessures mineures ou modérées.</p>
<p>REMARQUE</p>	<p>Ce mot indique des informations importantes sur l'installation, l'utilisation ou l'entretien, mais qui ne sont pas liées au danger.</p>

UTILISATION PRÉVUE

- Cet appareil est conçu pour conserver et réfrigérer jusqu'à 154 canettes et bouteilles de boissons de longue conservation dans une cuisine, un garde-manger, un sous-sol, un garage et tous autres espaces similaires.
- Cet appareil est conçu pour une installation encastrée ou autonome.
- Cet appareil n'est pas conçu pour conserver des aliments ou des substances biologiques.
- Conçu pour un usage domestique et résidentiel exclusivement.

DESCRIPTION DE L'APPAREIL

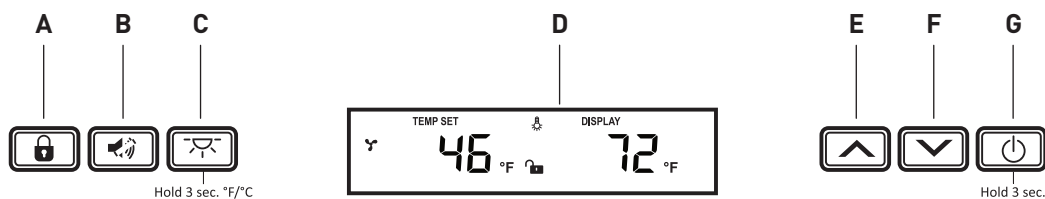
3.1 Vue d'ensemble



1	Boîtier	11	Panneau de verre
2	Goupilles de la porte	12	Joint d'étanchéité de la porte
3	Poignée de la porte	13	Fentes du support anti-basculement
4	Porte	14	Clayettes
5	Serrure	15	Lumière intérieure
6	Ouverture d'aération	16	Capuchons x 2
7	Pattes de nivellement	17	Clés de la porte x 2
8	Cordon d'alimentation muni d'une fiche	18	Clé hexagonale
9	Panneau de commande	19	Supports anti-basculement x 2
10	Supports pour clayettes	20	Goujons d'ancrage x 2

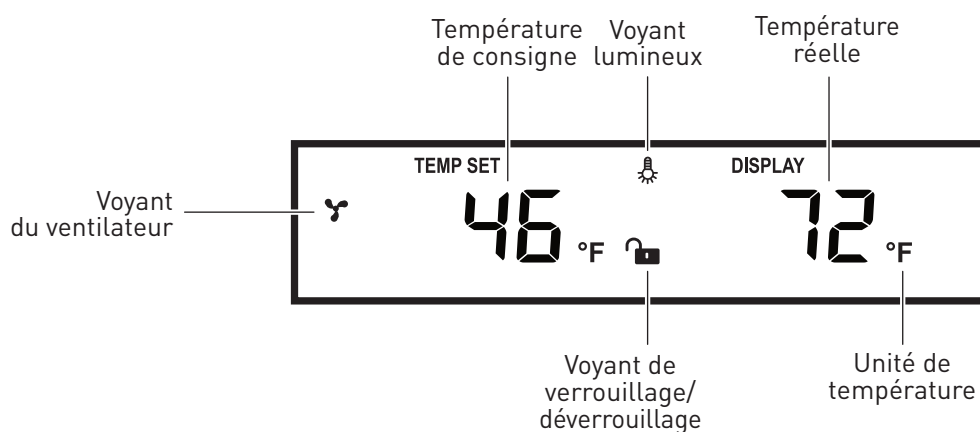
DESCRIPTION DE L'APPAREIL

3.2 Description du panneau de commande



Boutons/Pièces	Description
A	Boutons de verrouillage/déverrouillage du panneau de commande
B	Permet d'activer/de désactiver les alarmes de la porte et de température et les sons des boutons
C	Permet d'allumer/éteindre la lumière Permet de changer l'unité de la température (°F/°C)
D	Écran
E	Permet d'augmenter la température
F	Permet de réduire la température
G	Permet de mettre sous/hors tension l'appareil

3.3 Icônes de l'écran

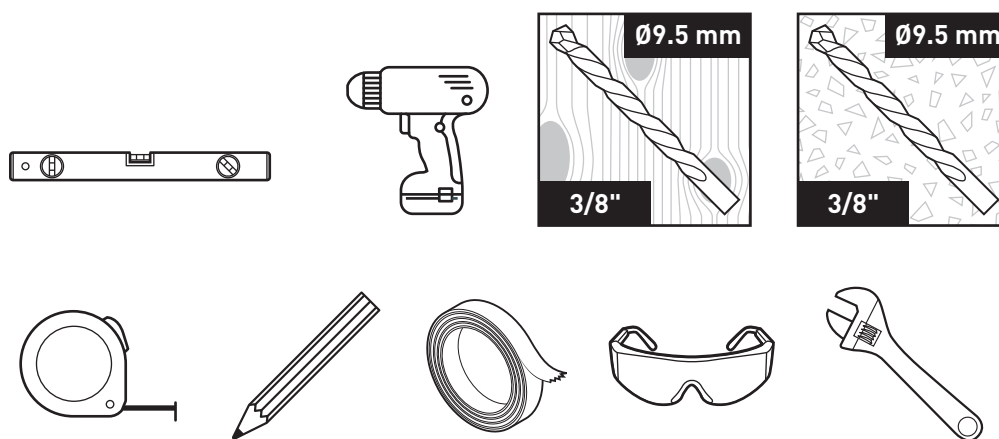


AVANT LA PREMIÈRE UTILISATION

⚠ DANGER Risques d'étouffement! Gardez tous les matériaux d'emballage hors de portée des enfants et des animaux familiers. Ces matériaux présentent des risques d'étouffement.

- Retirez, puis mettez au rebut tous les matériaux d'emballage.
- Vérifiez l'état de l'appareil afin de déceler des pièces endommagées ou cassées éventuelles.
- Assurez-vous que tous les composants requis ont été livrés.
- Laissez l'appareil à la verticale pendant au moins 24 heures afin de permettre au réfrigérant de se stabiliser après le transport.
- Laissez l'appareil atteindre la température de consigne avant d'y placer des boissons.

4.1 Outils Nécessaires



4.2 Exigences sur l'emplacement

⚠ AVERTISSEMENT Risques d'incendie!

- Ne pas obstruer l'ouverture d'aération (6). Une aération insuffisante peut entraîner une surchauffe de l'appareil et provoquer un incendie. Une fuite de réfrigérant peut entraîner des risques d'incendie et d'explosion.
- L'accumulation de poussière sur la fiche peut provoquer un incendie. Choisissez un emplacement qui empêche toute accumulation de poussière ou qui permet d'accéder à la fiche pour nettoyage.
- L'appareil doit être installé à proximité d'une prise de courant avec mise à la terre, sans disjoncteur de fuite de terre. Ne pas utiliser de cordons prolongateurs ni de fiche d'adaptation.
- Placez l'appareil sur un plancher nivelé et suffisamment solide, capable de supporter un appareil entièrement chargé. Sur une moquette ou un tapis vinyle, nous vous recommandons de placer un tapis en plastique sous l'appareil.
- Placez l'appareil à l'abri des rayons du soleil et loin de toutes sources de chaleur, notamment lave-vaisselle ou cuisinière.
- Ne pas installer l'appareil dans un endroit mal isolé ou chauffé afin d'éviter d'affecter les performances de refroidissement ou de créer de la condensation externe sur l'appareil.

AVANT LA PREMIÈRE UTILISATION

- Laissez un espace d'au moins 2 po (5 cm) à l'arrière de l'appareil et d'au moins 0,8 po (2 cm) sur les côtés et le dessus de l'appareil afin d'assurer une circulation adéquate de l'air. Veillez à ce qu'il y ait suffisamment d'espace à l'avant pour permettre à la porte de s'ouvrir complètement.
- Maintenez l'appareil à l'écart de toutes substances dangereuses ou combustibles.

4.3 Nivellement de l'appareil

L'appareil doit reposer fermement sur une surface nivelée afin de fonctionner correctement. Si l'appareil n'est pas mis à niveau, la porte (4) peut être mal alignée lorsqu'elle est installée. Cela peut entraîner des problèmes de refroidissement et d'humidité si la porte (4) ne se ferme pas complètement.

5. Placez un niveau de menuisier sur la partie supérieure de l'appareil pour vérifier s'il nécessite nivellement.
6. Tournez les pattes de nivellement (7) dans le sens des aiguilles d'une montre pour abaisser l'appareil ou dans le sens inverse des aiguilles d'une montre pour le relever, jusqu'à ce que le niveau de menuisier indique que l'appareil est de niveau.

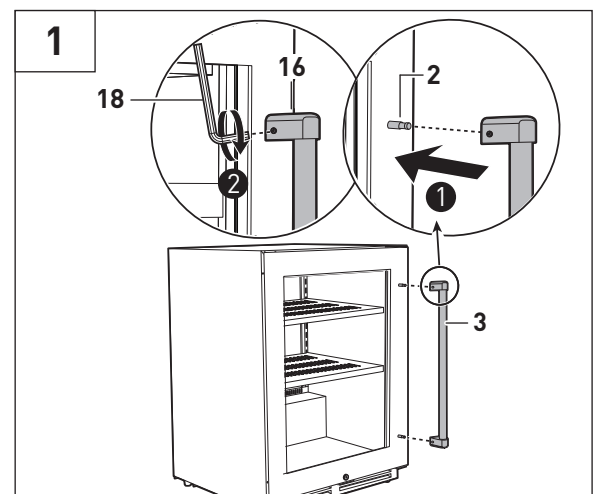
4.4 Nettoyage

1. Essuyez les surfaces intérieures et les clayettes (14) à l'eau tiède et à l'aide d'un chiffon doux et propre.
2. Essuyez-les à l'aide d'un chiffon doux et propre.

INSTALLATION

5.1 Installation de la poignée de la porte

1. Fixez les capuchons (16) aux deux extrémités de la poignée de la porte (3).
2. Placez la poignée de la porte montée (3) sur les goupilles de la porte (2) (ill. 1).
3. Serrez les vis préinstallées à l'intérieur des capuchons (16) à l'aide de la clé hexagonale (18) (ill. 1). Ne pas serrer les vis excessivement.

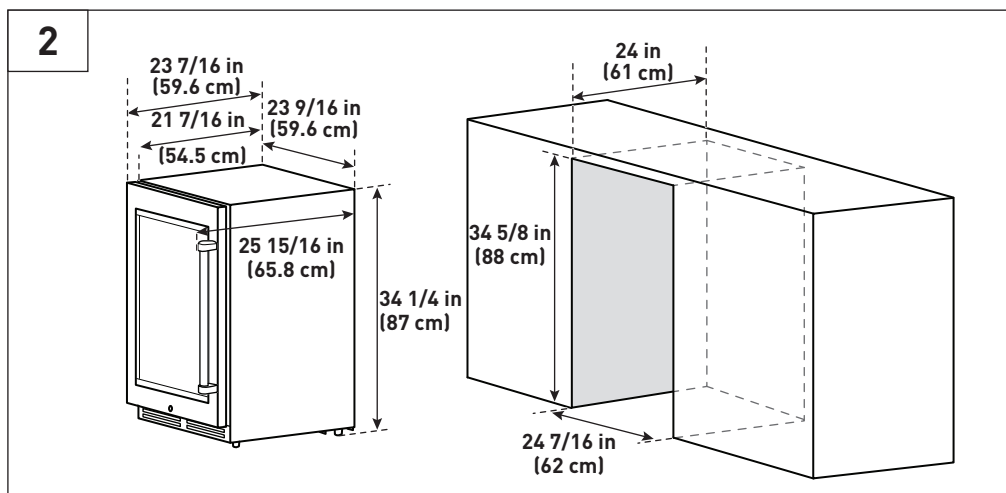


5.2 Installation encastrée

⚠ ATTENTION Risques de blessures! Maintenez les doigts à l'écart des « points de pincement ». Les espaces libres entre la porte (4) et le boîtier (1) sont nécessairement réduits. Veillez à fermer la porte (4) lorsque des enfants se trouvent à proximité.

REMARQUE Réglez les pattes de nivellement (7) si nécessaire avant de placer l'appareil dans un endroit renforcé (voir le chapitre « Nivellement de l'appareil »). Plage de réglage des pattes de nivellement : 0 à 0,4 po (0 à 1 cm).

Assurez-vous que la zone d'installation dispose d'un espace suffisant pour l'appareil (ill. 2).



5.3 Installation des supports anti-basculement montés sur le plancher

⚠ ATTENTION Risques de blessures! Portez un équipement de protection approprié afin de prévenir tous risques de blessures.

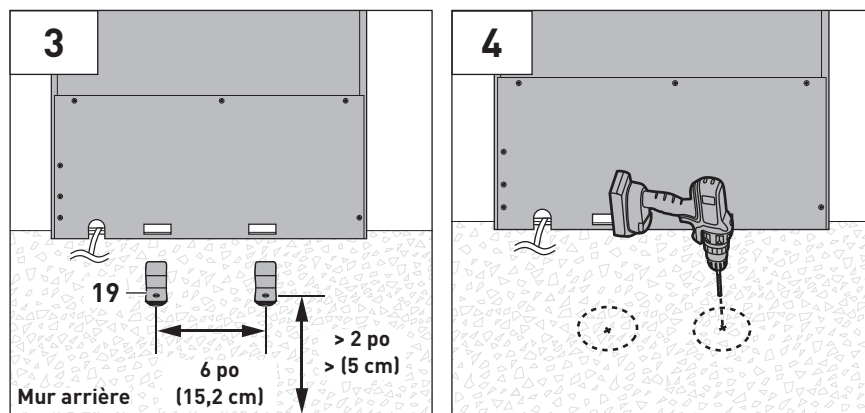
⚠ ATTENTION Risques de dommages matériels! Assurez-vous de l'absence de tuyaux de gaz, de conduites d'eau ou de fils électriques sous le plancher.

- REMARQUE**
- Pour l'installation sur des planchers de carrelage : pour les carreaux de porcelaine, utilisez un foret à pointe carbure; pour la pierre naturelle, utilisez un foret à pointe diamantée.
 - Afin de prévenir toute surchauffe des surfaces en pierre naturelle en cours de perçage, faites couler une petite quantité d'eau sur l'emplacement du trou de montage.
 - Placez du ruban masque autour de la surface environnante afin d'éviter de rayer la zone en cas de glissement du foret.
 - Percez à faible vitesse pour éviter de fissurer le carreau.
 - Pour les planchers en bois et en béton, utilisez un foret standard.
 - En cas de doute sur l'installation sur le plancher, veuillez contacter un professionnel qualifié.

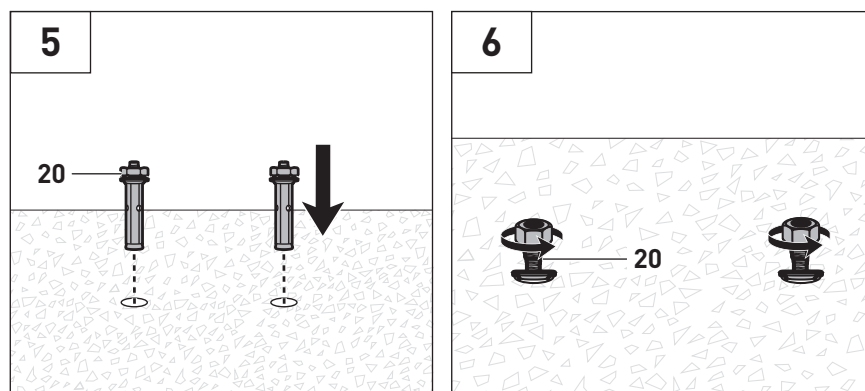
1. Placez les supports anti-basculement (19) à 6 po (15,2 cm) l'un de l'autre sur le plancher. Marquez l'emplacement des trous de fixation sur le plancher (ill. 3). Assurez-vous qu'il y a au moins 2 po (5 cm) d'espace derrière l'appareil.

INSTALLATION

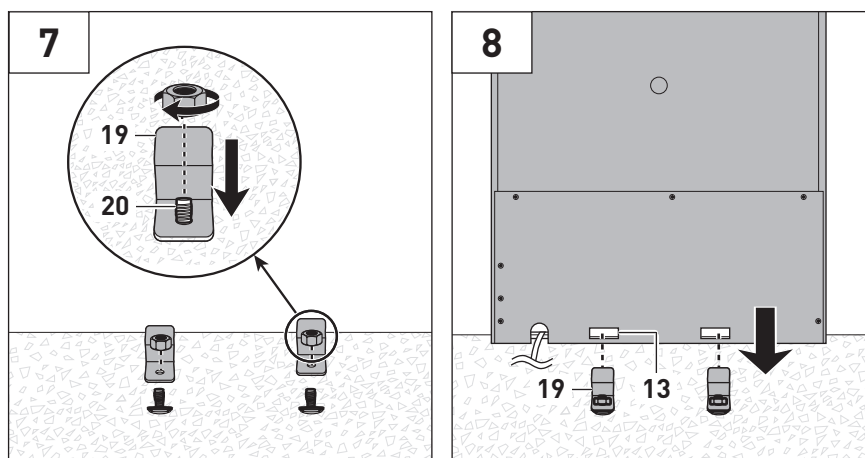
- Percez deux trous de fixation sur les emplacements marqués jusqu'à une profondeur de $1\frac{7}{16}$ po (3,7 cm) à l'aide d'un foret de $\frac{3}{8}$ po (9,5 mm) (ill. 4).



- Insérez les goujons d'ancrage (20) dans les trous (ill. 5).
- Retirez les écrous des goujons d'ancrage (20) (ill. 6).



- Placez les supports anti-basculement (19) sur les goujons d'ancrage (20), puis remettez en place et serrez les écrous sur les goujons d'ancrage (20) (ill. 7).
- Faites glisser l'appareil vers les supports anti-basculement (19) de manière à ce que les supports s'insèrent et se verrouillent complètement dans les fentes des supports anti-basculement (13) (ill. 8).



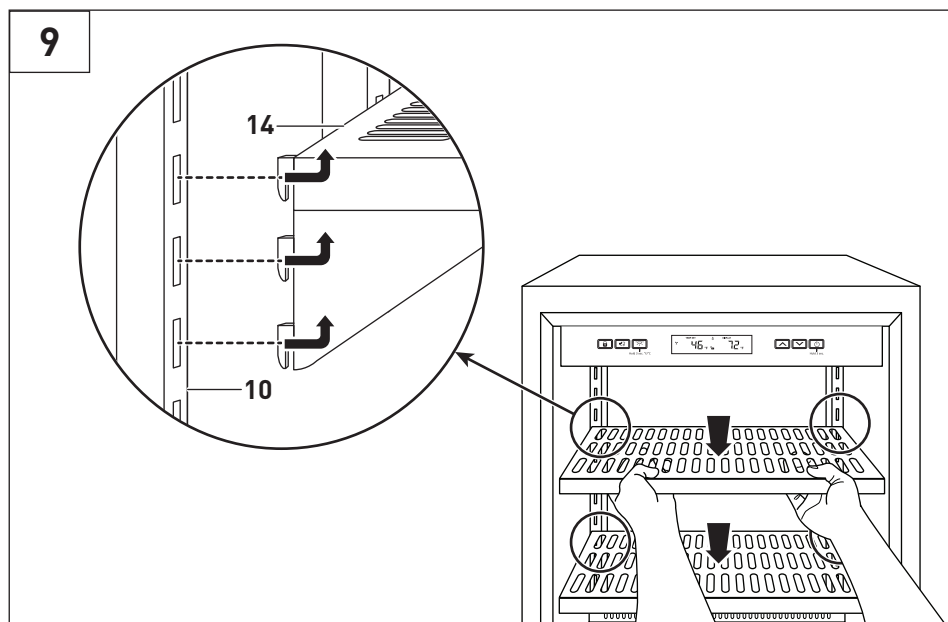
6.1 Mise sous ou hors tension

1. Branchez la fiche (8) à une prise de courant appropriée. L'appareil se met sous tension automatiquement et l'écran (D) s'allume.
2. L'écran (D) affiche le réglage de température par défaut, +34 °F (+7 °C).

6.2 Disposition et mise en place des boissons

⚠ ATTENTION Risques d'endommagement ou de blessures! Retirez les boissons des clayettes (14) avant de modifier la disposition des clayettes.

- Placez les boissons de manière uniforme dans la partie supérieure et la partie inférieure du boîtier (1). Ne pas surcharger les clayettes (14).
- Ne pas laisser les boissons entrer en contact avec le fond du boîtier (1) afin de permettre une circulation adéquate de l'air.
- Retirez une clayette (14) pour créer de l'espace supplémentaire pour les boîtes ou les bouteilles surdimensionnées ou de forme irrégulière, ou pour un rangement à la verticale (ill. 9). Pour remettre en place une clayette (14), alignez-la dans les trous des supports pour clayettes (10), puis appuyez sur la clayette (14) jusqu'à ce qu'elle s'emboîte solidement.
- La capacité réelle dépend de la taille, de la forme et de la disposition des boîtes ou des bouteilles.





6.3 Réglage des commandes et des paramètres

REMARQUE La mémoire interne de l'appareil conserve les derniers réglages utilisés. Si l'appareil est hors tension ou s'il perd de l'énergie, les réglages précédents s'affichent sur l'écran (D) lorsque l'appareil est remis sous tension.

UTILISATION

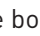

Température

REMARQUE Le réglage de la température varie entre +34 °F (+1 °C) et +46 °F (+7 °C).



- Appuyez sur le bouton  (E) pour augmenter la température de +1 °F/+1 °C. La valeur de consigne clignote pendant 5 secondes.
- Appuyez sur le bouton  (F) pour réduire la température de +1 °F/+1 °C. La valeur de consigne clignote pendant 5 secondes.

Lumière intérieure


REMARQUE Si la lumière intérieure (15) est allumée, elle reste allumée jusqu'à ce qu'elle soit éteinte manuellement.


- Appuyez une fois sur le bouton  (C) pour allumer ou éteindre la lumière intérieure (15).
- Appuyez sur le bouton  (C) et maintenez-le enfoncé pendant 3 secondes pour faire basculer l'unité de température entre Fahrenheit et Celsius.

Activation et désactivation des alarmes et des sons

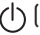

- Appuyez une fois sur le bouton  (B) pour désactiver l'alarme de la porte et l'alarme de température.
- Appuyez sur le bouton  (B) et maintenez-le enfoncé pendant 3 secondes pour désactiver le son des boutons du panneau de commande.

Verrouillage/déverrouillage

REMARQUE Les boutons du panneau de commande (à l'exception du bouton  (A)) se verrouillent automatiquement au bout d'une minute en l'absence de toute pression exercée sur les boutons du panneau de commande (9).

Appuyez sur le bouton  (A) et maintenez-le enfoncé pendant 3 secondes, pour verrouiller ou déverrouiller les boutons du panneau de commande.

Alimentation

- Appuyez sur le bouton  (G) et maintenez-le enfoncé pendant 1 seconde pour mettre sous tension l'appareil.
- Appuyez sur le bouton  (G) et maintenez-le enfoncé pendant 3 secondes pour mettre hors tension l'appareil.

Mode Démo

- REMARQUE**
- Le mode Démo sert uniquement à l'affichage. Le compresseur, le ventilateur et l'alarme de la porte ne fonctionnent pas en mode Démo.
 - La lampe LED reste allumée lorsque la porte (4) est fermée.

Appuyez simultanément sur les boutons  (E) et  (F) et maintenez-les enfoncés pendant 3 secondes pour activer le mode Démo.

6.4 Alarmes et codes d'erreur

Alarme de la porte

- REMARQUE**
- Le compresseur et le ventilateur s'arrêtent de fonctionner si la porte (4) est ouverte pendant plus d'une minute. Ils reprennent dès que la porte (4) est fermée.
 - Si l'alarme de la porte est désactivée, l'écran (D) continue de clignoter pour signaler que la porte (4) est ouverte.
- Une alarme retentit lorsque la porte (4) est ouverte pendant plus d'une minute. L'écran (D) clignote.
 - Fermez la porte (4) pour arrêter l'alarme. L'écran (D) cesse de clignoter.

Alarmes de température

REMARQUE Si l'alarme de température est désactivée, l'écran (D) continue de clignoter pour signaler que la température est supérieure à la température de consigne.

- Si la température à l'intérieur du boîtier (1) est inférieure de +39 °F (+4 °C) à la température de consigne pendant plus d'une heure, une alarme se déclenche. L'écran (D) affiche **LL** et clignote.
- Si la température à l'intérieur du boîtier (1) est supérieure de +39 °F (+4 °C) à la température de consigne pendant plus de 24 heures, une alarme se déclenche. L'écran (D) affiche **HH** et clignote.

Guide des codes d'erreur

- Lorsque l'écran (D) affiche **E1** ou **E2**, le compresseur, le ventilateur et le système de dégivrage s'arrêtent.
- Lorsque l'écran (D) affiche **E3** ou **E4**, le compresseur et les ventilateurs s'arrêtent pendant 5 minutes, puis reprennent immédiatement après.

Code	Erreur
E1	La sonde de température interne présente un circuit interrompu
E2	Court-circuit de la sonde de température interne
E3	La sonde de dégivrage présente un circuit interrompu
E4	Court-circuit de la sonde de dégivrage
HH	Alarme pour température élevée
LL	Alarme pour basse température
L'écran clignote	Alarme pour porte ouverte

6.5 Conseils relatifs au stockage de boissons

- Réglez la température appropriée si vous ne conservez qu'un seul type de boisson.
- Pour la conservation de diverses boissons, la température recommandée est de +40 °F (+5 °C).

Boissons	Plage de températures de stockage
Boissons gazeuses, jus de fruits de longue conservation, boissons énergétiques	+38 °F à +42 °F (+3 °C à +6 °C)
Bière	+38 °F à +46 °F (+3 °C à +7 °C)

NETTOYAGE

- Mettez hors tension l'appareil, puis débranchez la fiche (8) de la prise de courant.
- Essuyez l'extérieur de l'appareil à l'aide d'un chiffon doux et sec pour en éliminer toute poussière.
- Retirez tous les aliments et les clayettes (14) de l'appareil.
- Essuyez toute condensation à l'aide d'un chiffon doux et absorbant.
- Ne jamais utiliser de détergents corrosifs, de brosses métalliques, de produits abrasifs ou d'ustensiles métalliques/tranchants pour nettoyer l'appareil.

Surfaces en acier inoxydable

- Utilisez un agent nettoyant conçu pour l'acier inoxydable si nécessaire pour garder les surfaces en acier inoxydable exemptes de poussière, d'empreintes digitales et de tous autres résidus. Suivez les instructions du fabricant pour obtenir des résultats optimaux.
- Vous pouvez également utiliser du vinaigre blanc non dilué pour nettoyer les surfaces en acier inoxydable.
 - Vaporisez le vinaigre sur la surface
 - Essuyez à l'aide d'un chiffon doux en microfibres, en suivant le grain de la surface en acier inoxydable. Ne pas effectuer de mouvements circulaires.
 - Humidifiez un chiffon en microfibres propre avec de l'eau distillée ou filtrée. Essuyez la surface pour en éliminer tout résidu de vinaigre.
 - Essuyez les surfaces à l'aide d'un chiffon en microfibres doux et propre.

Panneau de verre

- Utilisez un agent nettoyant conçu pour verre si nécessaire pour maintenir le panneau de verre (11) exempt de poussière, d'empreintes digitales et de tous autres résidus. Suivez les instructions du fabricant pour obtenir des résultats optimaux.
- Évitez d'appliquer le nettoyant pour verre sur la surface en acier inoxydable environnante.

Surfaces intérieures

1. Préparez une solution de nettoyage composée de 2 cuillères à soupe de bicarbonate de soude et d'une pinte (0,95 l) d'eau.
2. Essuyez les surfaces intérieures à l'aide de la solution de nettoyage préparée et d'un chiffon doux et propre.
3. Essuyez les résidus restants à l'aide d'un chiffon doux et de l'eau propre. Essuyez-les à l'aide d'un chiffon doux et propre.
4. Essuyez le panneau de commande (9) à l'aide d'un chiffon doux et de l'eau propre. Essuyez-les à l'aide d'un chiffon doux et propre.

NETTOYAGE

Clayettes

- Retirez tous les aliments et les clayettes (14) de l'appareil.
- Utilisez un agent nettoyant conçu pour l'acier inoxydable si nécessaire pour garder les clayettes (14) exemptes de poussière, d'empreintes digitales et de tous autres résidus. Suivez les instructions du fabricant pour obtenir des résultats optimaux.
- Vous pouvez également utiliser du vinaigre blanc non dilué pour nettoyer les clayettes (14).
 - Vaporisez le vinaigre sur la surface
 - Essuyez à l'aide d'un chiffon doux en microfibres, en suivant le grain de la surface en acier inoxydable. Ne pas effectuer de mouvements circulaires.
 - Humidifiez un chiffon en microfibres propre avec de l'eau distillée ou filtrée.
 - Essuyez les clayettes pour en éliminer tout résidu de vinaigre.
 - Essuyez les clayettes (14) à l'aide d'un chiffon doux et propre en microfibres avant de les remettre en place sur les supports pour clayettes (10).

Joint d'étanchéité de la porte

Essuyez le joint d'étanchéité de la porte (12) lorsqu'il est visiblement poussiéreux ou sale à l'aide d'un chiffon doux et humide.

ENTRETIEN

Pour tout entretien ou toute réparation autre que celui ou celle mentionné(e) dans le présent manuel, veuillez contacter un technicien à l'entretien et en réparation qualifié pour effectuer les réparations et l'entretien.

Dégivrage

- L'appareil se dégivre automatiquement.
- Le compresseur s'arrête temporairement pendant que les ventilateurs font circuler l'air autour des serpentins pour faire fondre la glace.

Panne de courant

- En cas de panne de courant, évitez d'ouvrir la porte (4) afin de maintenir une température constante jusqu'au rétablissement du courant.
- Si la fiche (8) est débranchée ou si l'appareil est hors tension, veuillez patienter au moins 5 minutes avant de le remettre sous tension. Cela évite d'endommager le compresseur.

ENTRETIEN

Vacances et périodes d'absence

⚠ AVERTISSEMENT **Risques de piégeage des enfants.** Si vous laissez la porte (4) ouverte, veillez à ce que les enfants ne puissent pas grimper à l'intérieur de l'appareil et s'y coincer.

Si vous laissez l'appareil inutilisé pendant plusieurs mois :

- Mettez hors tension l'appareil, puis débranchez la fiche (8) de la prise de courant.
- Retirez tous les aliments et les clayettes (14) de l'appareil.
- Nettoyez l'appareil (voir le chapitre « NETTOYAGE »).
- Entrouvrez légèrement la porte (4) afin d'éviter la formation d'odeurs et de moisissures.

TRANSPORT

En cas de déplacement ou de transport de l'appareil :


- Mettez hors tension l'appareil, puis débranchez la fiche (8) de la prise de courant.
- Retirez les boissons, puis nettoyez l'appareil (voir le chapitre « NETTOYAGE »).
- Fixez les clayettes (14) à l'intérieur de l'appareil à l'aide de ruban adhésif afin d'éviter qu'elles ne soient endommagées.
- Fermez la porte (4) avec du ruban adhésif.
- Enveloppez l'appareil d'une housse de protection, notamment une couverture ou d'un film à bulles d'air.
- Pendant le transport, maintenez l'appareil à la verticale afin qu'il ne glisse pas ni ne se renverse.

MISE AU REBUT



- Mettez l'appareil au rebut conformément aux réglementations locales.
- Cet appareil contient des réfrigérants et des gaz dans l'isolation. Ceux-ci doivent être retirés et recyclés par un technicien à l'entretien et en réparation qualifié.
- Assurez-vous que les tuyaux de réfrigérant ne sont pas endommagés avant la mise au rebut.

FOIRE AUX QUESTIONS

Problème	Solution
Impossible de mettre l'appareil sous tension.	<ul style="list-style-type: none"> ● Vérifiez si la fiche (8) est correctement branchée à la prise de courant. ● Vérifiez si la prise de courant est opérationnelle.
L'appareil n'est pas suffisamment froid.	<ul style="list-style-type: none"> ● Réglez la température de consigne à un niveau inférieur. ● Réduisez la quantité de boissons à l'intérieur de l'appareil. ● Ouvrez la porte (4) uniquement en cas de nécessité. ● Assurez-vous que la porte (4) se ferme complètement. ● Nettoyez le joint d'étanchéité de la porte (12).
La lumière intérieure (15) ne fonctionne pas.	<ul style="list-style-type: none"> ● Vérifiez si la fiche (8) est correctement branchée à la prise de courant. ● Appuyez sur le bouton  (C) pour allumer la lumière intérieure (15). ● Le disjoncteur s'est peut-être déclenché ou le fusible est grillé.
Le compresseur et le ventilateur se mettent en marche et s'arrêtent fréquemment.	<ul style="list-style-type: none"> ● La température ambiante est peut-être plus élevée que la normale. Si possible, réglez la température ambiante. ● Réduisez la quantité de boissons à l'intérieur de l'appareil. ● Ouvrez la porte (4) uniquement en cas de nécessité. ● Assurez-vous que la porte (4) se ferme complètement. ● Nettoyez le joint d'étanchéité de la porte (12).
L'appareil fait un bruit inhabituel.	<ul style="list-style-type: none"> ● Assurez-vous que l'appareil se trouve sur un sol stable et nivelé. Réglez les pattes de nivellement (7) si nécessaire. ● Déplacez l'appareil afin de vous assurer qu'il n'entre pas en contact avec des objets environnants ou les murs. ● Les bruits de gargouillement sont dus à l'écoulement du réfrigérant dans le système frigorigène. Il s'agit d'un phénomène normal.
De la condensation se forme à l'intérieur et à l'extérieur de l'appareil et de la porte (4).	<ul style="list-style-type: none"> ● La température ambiante est peut-être plus élevée que la normale. Si possible, réglez la température ambiante. ● Ouvrez la porte (4) uniquement en cas de nécessité. ● Assurez-vous que la porte (4) se ferme complètement.

CARACTÉRISTIQUES DU PRODUIT

Tension nominale	115 V CA, 60 Hz
Puissance nominale	100 W, 2,8 A
Classe de protection	I
Plage de températures de réfrigération	+34 °F à +46 °F (+1 °C à +7 °C)
Capacité maximale	5,3 pi³ (150 l), 154 canettes de boissons standard
Type de réfrigérant	R-600a, 1,2 on (33 g)
Agent moussant	Cyclopentane (C ₅ H ₁₀)
Système de réfrigération	Réfrigération du compresseur
Type de climat	SN
Indice de protection	IPX4
Poids net	124 lbs (56,25 kg)
Dimensions (L x P x H)	23 7/16 x 23 7/16 x 34 1/4 po (59,6 x 59,5 x 87 cm)

GARANTIE

THOR
K I T C H E N[®]

Garantie et service

Cet appareil a été fabriqué par Thor International, 4651 E Airport Drive, Californie 91761

Pour contacter le service à la clientèle, veuillez composer le numéro : (877) 288 - 8099

Pour obtenir la garantie et la politique de service les plus récentes, veuillez vous rendre sur notre site Web

WWW.THORKITCHEN.COM/WARRANTY-REGISTRATION

Pour toute demande de réparation dans le cadre de la garantie, veuillez vous rendre sur notre site Web
WWW.THORKITCHEN.COM/SERVICE

Remarque importante : Vous devez fournir une preuve d'achat ou de la date d'installation pour toute demande de réparation ou d'entretien dans le cadre de la garantie

INFORMACIÓN IMPORTANTE DE SEGURIDAD	40
1.1 Seguridad del electrodoméstico	40
1.2 Información para un desecho adecuado	41
1.3 Explicación de los símbolos	42
1.4 Definiciones de palabras/símbolos de señalización	42
USO PREVISTO	43
DESCRIPCIÓN DEL ELECTRODOMÉSTICO	43
3.1 Resumen	43
3.2 Descripción del panel de control	44
3.3 Indicadores de la pantalla	44
ANTES DEL PRIMER USO	45
4.1 Herramientas necesarias	45
4.2 Requerimientos del sitio de instalación	45
4.3 Nivelación del electrodoméstico	46
4.4 Limpieza	46
INSTALACIÓN	46
5.1 Instalación del tirador de la puerta	46
5.2 Instalación empotrada	47
5.3 Instalación de los soportes antivuelco montados en el suelo	47
USO	49
6.1 Encendido y apagado	49
6.2 Organizar y colocar bebidas	49
6.3 Ajuste de los controles y la configuración	49
6.4 Alarmas y códigos de error	51
6.5 Consejos para almacenar bebidas	51
LIMPIEZA	52
MANTENIMIENTO	53
TRANSPORTE	54
ELIMINACIÓN	54
PREGUNTAS FRECUENTES	55
ESPECIFICACIONES DEL PRODUCTO	56
GARANTÍA	56

INFORMACIÓN IMPORTANTE DE SEGURIDAD

1.1 Seguridad del electrodoméstico

Al usar electrodomésticos siempre deben tomarse precauciones de seguridad básicas para reducir el riesgo de incendio, descarga eléctrica, lesión y/o muerte incluyendo las siguientes:

⚠ ADVERTENCIA Mantener libres de obstrucciones las aberturas de ventilación de la carcasa del electrodoméstico o de la estructura integrada.

⚠ ADVERTENCIA No use dispositivos mecánicos u otros medios para acelerar el proceso de descongelamiento más allá de los recomendados por el fabricante.

⚠ ADVERTENCIA Al posicionar el electrodoméstico, asegúrese de que no pinzar ni dañar el cable de alimentación.

⚠ ADVERTENCIA No coloque tomacorrientes portátiles multicontactos o fuentes de alimentación portátiles detrás del electrodoméstico.

⚠ ADVERTENCIA No use electrodomésticos dentro de los compartimentos de almacenamiento de alimentos de este electrodoméstico a no ser que sean del tipo recomendado por el fabricante.

⚠ ADVERTENCIA: cáncer y
daño al sistema reproductor -
www.p65warnings.ca.gov

- Este electrodoméstico no está diseñado para ser usado por personas (incluyendo niños) con capacidades físicas, sensoriales o mentales reducidas o con falta de experiencia o conocimiento, a no ser que una persona responsable por su seguridad los supervise y los eduque en relación con el uso del electrodoméstico.
- Los niños deberán estar bajo supervisión para asegurarse de que no jueguen con el electrodoméstico.
- Si se daña el cable de alimentación, deberá ser reemplazado por el fabricante, su representante de servicio técnico o personas similarmente calificadas para evitar riesgos.
- El electrodoméstico solo debe enchufarse en su propio tomacorriente de CA de 115 V, 60 Hz, 15 A. El cable de alimentación del electrodoméstico viene equipado con un enchufe de tres clavijas con conexión a tierra para protegerle contra riesgos de descargas eléctricas. Debe enchufarse directamente a un tomacorriente de tres clavijas con una adecuada conexión a tierra. El tomacorriente debe haber sido instalado de acuerdo con las normas y reglamentaciones locales. Consulte a un electricista calificado. Evite conectar el electrodoméstico a un circuito con interruptor diferencial (GFI, por sus siglas en inglés). No use un cable de extensión o un adaptador de enchufe.
- Permita la desconexión del electrodoméstico desde la alimentación después de su instalación. Esta desconexión podrá lograrse si el enchufe está en un lugar accesible o si se incorpora un interruptor en el cableado fijo de acuerdo con las normas de cableado.
- Nunca tire del cable de alimentación del electrodoméstico para desenchufarlo. Siempre sujete el enchufe firmemente y tire recto hacia afuera del tomacorriente para evitar dañar el cable de alimentación.
- Para evitar descargas eléctricas, desenchufe el electrodoméstico antes de limpiarlo.

INFORMACIÓN IMPORTANTE DE SEGURIDAD

- El desempeño podría verse afectado si el voltaje varía 10 % o más. Hacer funcionar el electrodoméstico con una potencia insuficiente podría dañar el compresor. Dicho daño no estará cubierto por su garantía.
- No enchufe el electrodoméstico en un tomacorriente controlado por un interruptor de pared o interruptor de cordón para evitar que el electrodoméstico se apague por accidente.
- No almacene dentro del electrodoméstico sustancias explosivas tales como latas de aerosol con propelente inflamable. Sus vapores podrían crear un peligro de incendio o explosión.
- El traslado e instalación del electrodoméstico deberá ser llevado a cabo por dos personas. Si no se cumple lo anterior, podría causar lesiones a la espalda o de otro tipo.
- Este electrodoméstico está diseñado para uso doméstico y aplicaciones similares tales como
 - áreas de cocina del personal en tiendas, oficinas y otros ambientes laborales;
 - casas de granja y por clientes de hoteles, moteles y residencias de otros tipos;
 - pensiones;
 - aplicaciones de servicio de alimentación y otras aplicaciones similares no minoristas.
- La capacidad de carga máxima de cada estante es de 55 libras (25 kg).
- El LED integrado de este electrodoméstico no es reemplazable por el usuario. Cuando el LED llega al final de su ciclo de vida, continúe usando el electrodoméstico de la forma habitual.
- Nunca limpie las distintas partes del refrigerador con fluidos inflamables. Sus vapores podrían crear un peligro de incendio.
- No almacene leche fresca u otros productos lácteos en este electrodoméstico.
- El circuito de refrigerante del electrodoméstico contiene el refrigerante inflamable isobuteno (R600a), un gas natural con un alto nivel de compatibilidad ambiental, que sin embargo es inflamable. Durante el transporte e instalación del electrodoméstico, asegúrese de que no se dañe ninguno de los componentes del circuito refrigerante.

1.2 Información para un desecho adecuado

⚠ ADVERTENCIA

Riesgo de aprisionamiento de niños. Antes de desechar su viejo electrodoméstico:

- Quítele las puertas.
- Deje los estantes instalados de forma tal que los niños no puedan entrar fácilmente al interior.

INFORMACIÓN IMPORTANTE DE SEGURIDAD



⚠ ADVERTENCIA ¡Riesgo de incendio! Materiales inflamables. Este electrodoméstico usa el refrigerante **R-600a** y debe ser desechado por un técnico de servicio calificado que conozca los métodos adecuados de recuperación de gas.

1.3 Explicación de los símbolos

Los siguientes símbolos se usan en este manual de usuario, en el electrodoméstico o en el embalaje.

	<p>¡ADVERTENCIA! Riesgo de incendio/materiales inflamables.</p>
	<p>La demarcación "ETL Listed" es prueba de que el electrodoméstico ha sido probado de forma independiente y cumple con el estándar publicado aplicable.</p>

1.4 Definiciones de palabras/símbolos de señalización

En este manual de usuario se usan los siguientes símbolos.

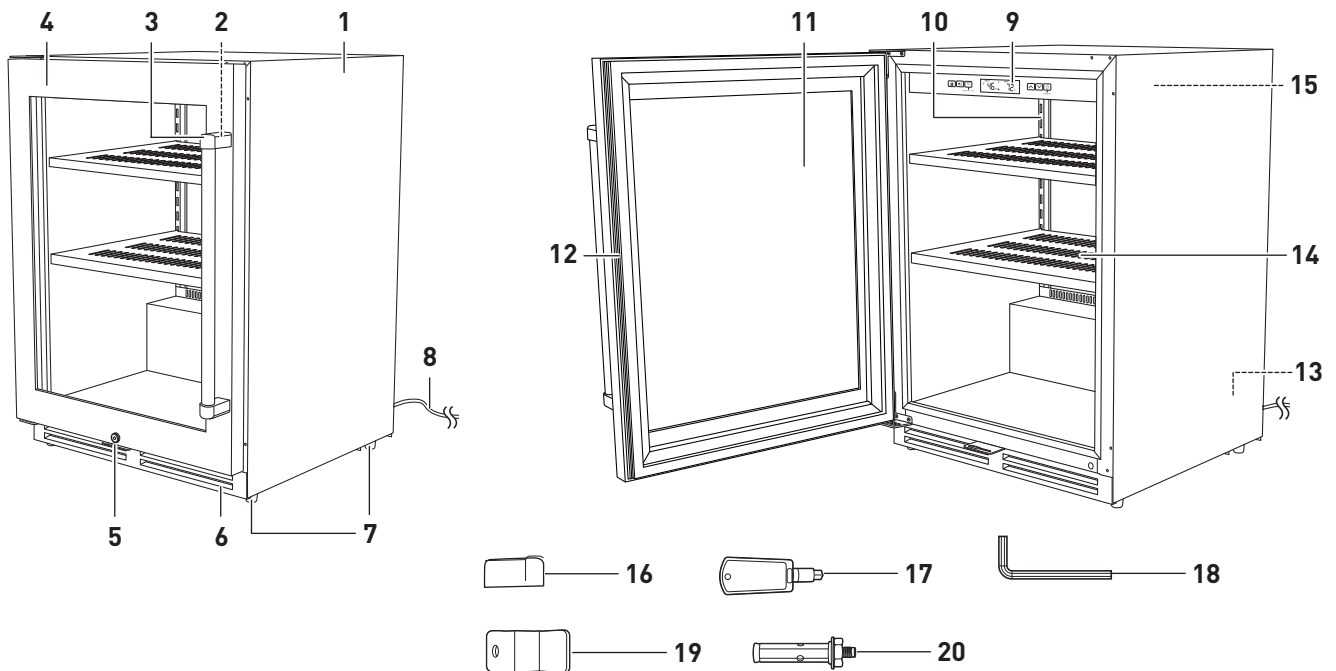
<p>PELIGRO</p>	<p>Indica una situación potencialmente peligrosa que, si no se evita, resultará en la muerte o lesiones graves.</p>
<p>ADVERTENCIA</p>	<p>Indica una situación potencialmente peligrosa que, si no se evita, podría causar la muerte o lesiones graves.</p>
<p>PRECAUCIÓN</p>	<p>Indica una situación potencialmente peligrosa que, si no se evita, podría causar lesiones menores o moderadas.</p>
<p>AVISO</p>	<p>Indica información sobre la instalación, la operación o el mantenimiento que es importante, pero no relacionada con peligros.</p>

USO PREVISTO

- Este electrodoméstico está diseñado para almacenar y enfriar hasta 154 latas y botellas de bebida de larga duración dentro de una cocina, despensa, sótano, cochera o espacios similares.
- Este electrodoméstico está diseñado para instalarse de forma empotrada o autónoma.
- Este electrodoméstico no está diseñado para almacenar comida o sustancias biológicas.
- Solo para uso residencial y doméstico.

DESCRIPCIÓN DEL ELECTRODOMÉSTICO

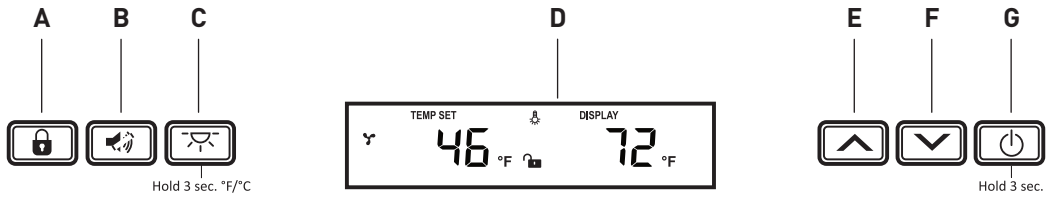
3.1 Resumen



1	Carcasa	11	Panel de vidrio
2	Pernos de la puerta	12	Junta de la puerta
3	Tirador de la puerta	13	Ranuras para soporte antivuelco
4	Puerta	14	Estantes
5	Traba	15	Luz interior
6	Abertura de ventilación	16	Tapas de extremo x 2
7	Patatas niveladoras	17	Llaves de la puerta x 2
8	Cable de alimentación con enchufe	18	Llave hexagonal
9	Panel de control	19	Soportes antivuelco x 2
10	Soportes para estantes	20	Anclajes para tacos x 2

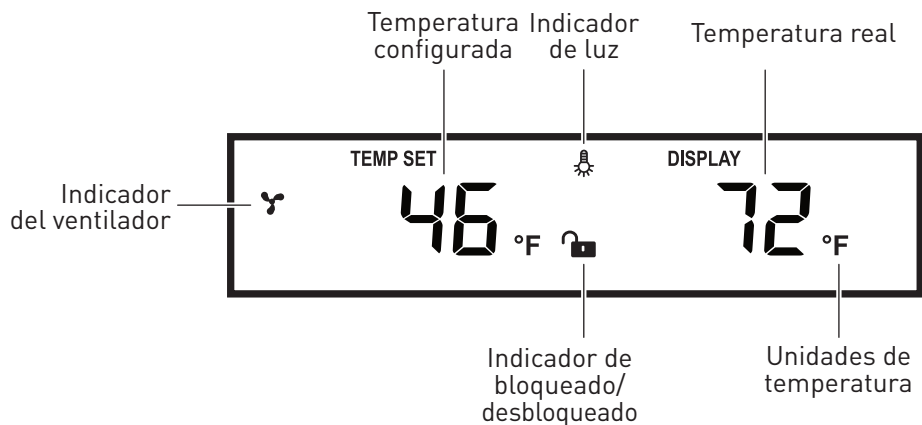
DESCRIPCIÓN DEL ELECTRODOMÉSTICO

3.2 Descripción del panel de control



	Botón/Parte	Descripción
A		Bloquear/desbloquear los botones del panel de control
B		Silenciar/Activar las alarmas de puerta y temperatura y los sonidos de los botones
C		Encender/apagar la luz Cambiar unidad de temperatura (°F/°C)
D		Pantalla
E		Aumentar temperatura
F		Reducir temperatura
G		Encender/apagar el electrodoméstico

3.3 Indicadores de la pantalla

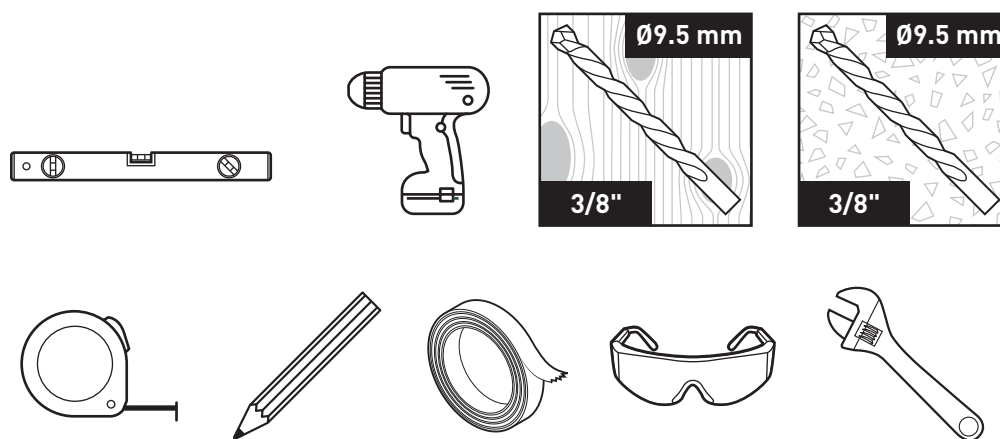


ANTES DEL PRIMER USO

⚠ PELIGRO ¡Riesgo de asfixia! Mantenga todos los materiales de embalaje lejos de los niños y las mascotas. Estos materiales representan un riesgo de asfixia.

- Quite y elimine todos los materiales de embalaje.
- Revise el electrodoméstico en busca de cualquier daño o partes rotas.
- Verifique que estén incluidos todos los componentes.
- Deje el electrodoméstico parado verticalmente durante al menos 24 horas para permitir que el refrigerante se asiente después del transporte.
- Espere a que el electrodoméstico alcance la temperatura configurada antes de introducir bebidas.

4.1 Herramientas necesarias



4.2 Requerimientos del sitio de instalación

⚠ ADVERTENCIA ¡Riesgo de incendio!

- No obstruya la abertura de ventilación (6). Una ventilación insuficiente podría hacer que el electrodoméstico se sobrecaliente y esto podría causar un incendio. Si hay pérdidas e refrigerante, esto podría causar un incendio y una explosión.
- El polvo acumulado en el enchufe podría causar un incendio. Elija una ubicación que evite la acumulación de polvo o permita el acceso para limpiar el enchufe.
- Instale el electrodoméstico cerca de un tomacorriente con conexión a tierra sin interruptor diferencial (GFI, por sus siglas en inglés). No use un cable de extensión o un adaptador de enchufe.
- Coloque el electrodoméstico sobre un piso nivelado y lo suficientemente resistente como para soportar al electrodoméstico completamente cargado. Para colocarlo sobre una alfombra o piso vinílico, se recomienda colocar una lámina de plástico debajo.
- Coloque el electrodoméstico donde no reciba luz solar directa ni se encuentre cerca de fuentes de calor tales como el lavavajillas o la estufa.
- No instale el electrodoméstico en un área con mala aislación o calefaccionada para evitar afectar el desempeño de enfriamiento o crear condensación externa en el electrodoméstico.

ANTES DEL PRIMER USO

- Deje un espacio de al menos 2 pulgadas (5 cm) detrás del electrodoméstico y al menos 0,8 pulgadas (2 cm) de espacio a los lados y arriba del electrodoméstico para un correcto flujo de aire. Asegúrese de que haya suficiente espacio adelante para permitir que la puerta se abra por completo.
- Mantenga el electrodoméstico lejos de sustancias peligrosas o combustibles.

4.3 Nivelación del electrodoméstico

Para funcionar correctamente, el electrodoméstico debe quedar firmemente apoyado sobre una superficie nivelada. Si el electrodoméstico no está nivelado, la puerta (4) podría quedar desalineada al instalarse. Esto podría generar problemas de enfriamiento y humedad si la puerta (4) no se cierra por completo.

5. Coloque un nivel de carpintero sobre el electrodoméstico para verificar si es necesario nivelarlo.
6. Gire las patas niveladoras (7) en sentido horario para bajar el electrodoméstico o en sentido antihorario para subirlo hasta que el nivel de carpintero muestre que el electrodoméstico está a nivel.

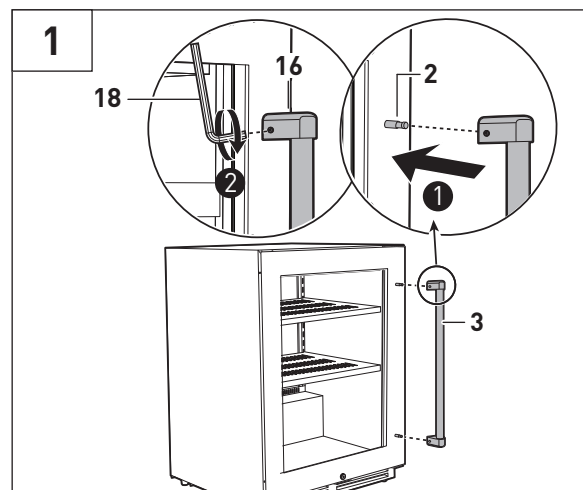
4.4 Limpieza

1. Limpie las superficies interiores y estantes (14) con agua tibia un paño suave limpio.
2. Use un paño suave seco para secar.

INSTALACIÓN

5.1 Instalación del tirador de la puerta

1. Fije las tapas de extremo (16) a ambos extremos del tirador de la puerta (3).
2. Coloque el tirador de la puerta (3) ensamblado sobre los pernos de la puerta (2) (fig. 1).
3. Apriete los tornillos preinstalados dentro de las tapas de extremo (16) usando la llave hexagonal (18) (fig. 1). No apriete los tornillos excesivamente.



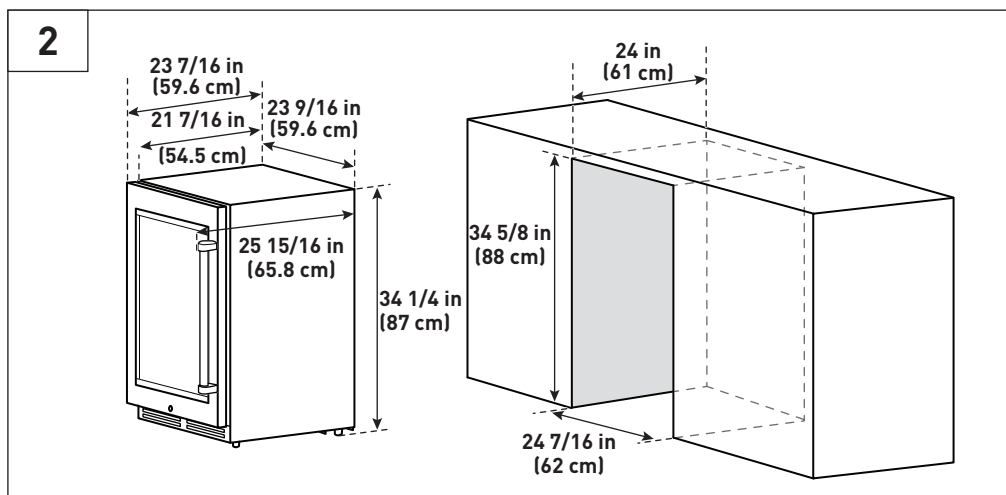
INSTALACIÓN

5.2 Instalación empotrada

⚠ PRECAUCIÓN ¡Riesgo de lesiones! Mantenga sus dedos lejos de las áreas de “puntos de pellizco”. Los espacios de despeje entre la puerta (4) y la carcasa (1) son necesariamente pequeños. Tenga cuidado al cerrar la puerta (4) cuando haya niños cerca.

⚠ AVISO Ajuste las patas niveladoras (7) según sea necesario antes de colocar el electrodoméstico en una ubicación empotrada (ver capítulo “Nivelación del electrodoméstico”). El rango de ajuste de las patas niveladoras es de 0 a 0,4 pulgadas (0 a 1 cm).

Asegúrese de que el área de instalación tenga suficiente espacio para el electrodoméstico (fig. 2).



5.3 Instalación de los soportes antivuelco montados en el suelo

⚠ PRECAUCIÓN ¡Riesgo de lesiones! Use el equipamiento de protección adecuado para evitar lesiones.

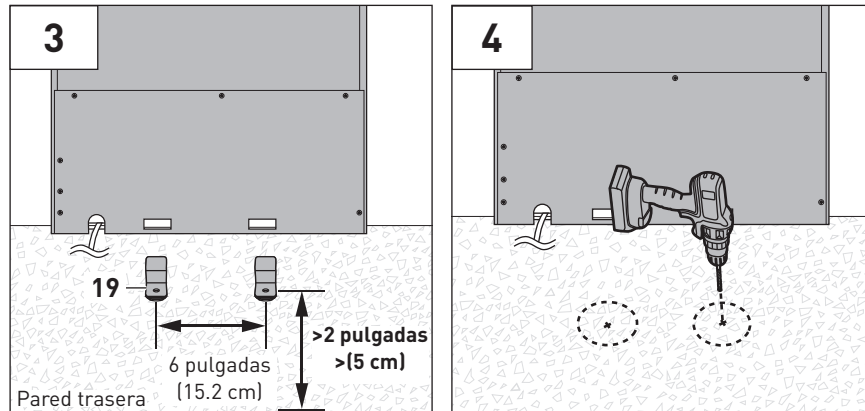
⚠ PRECAUCIÓN ¡Riesgo de daños a la propiedad! Asegúrese de que no haya tuberías de gas o agua o cables eléctricos debajo del suelo.

⚠ AVISO

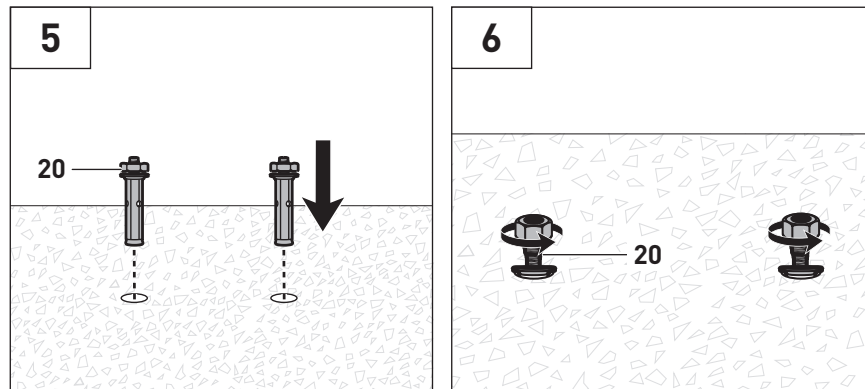
- Para instalar en suelos de baldosa: para baldosas de porcelana, use una broca con punta de carburo; para piedra natural, use una broca de punta de diamante.
- Para evitar que las superficies de piedra natural se sobrecalienten al perforarlas, deje caer algunas gotas de agua sobre la ubicación del orificio de montaje.
- Coloque cinta de enmascarar alrededor de la superficie circundante para evitar rayar el área si la broca se desliza.
- Perfore a una velocidad lenta para evitar quebrar la baldosa.
- Para suelos de madera y cemento, use una broca común.
- Si tiene dudas sobre la instalación en el suelo, contacte a un profesional calificado.

1. Coloque los soportes antivuelco (19) a una distancia de 6 pulgadas (15,2 cm) entre sí en el suelo. Marque la posición de los orificios de montaje sobre el suelo (fig. 3). Asegúrese de que haya un espacio de al menos 2 pulgadas (5 cm) detrás del electrodoméstico.
2. Perfore dos orificios de montaje sobre las posiciones marcadas con una profundidad de 1 y 7/16 de pulgadas (3,7 cm) usando una broca de 3/8 de pulgadas (9,5 mm) (fig. 4).

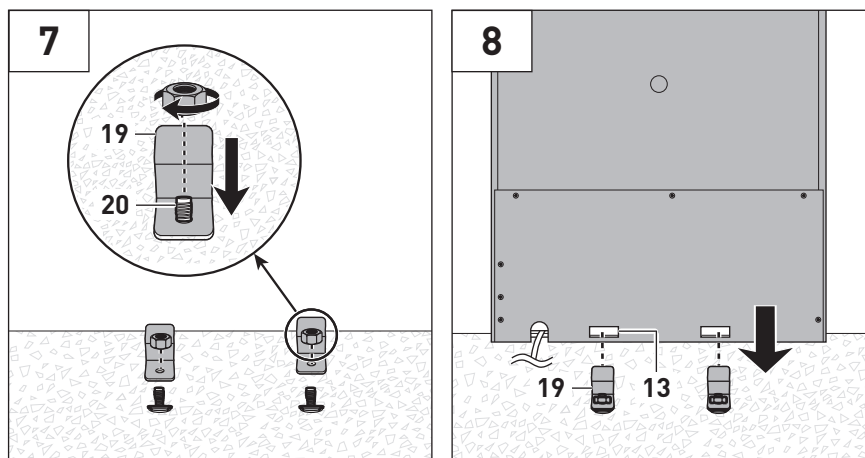
INSTALACIÓN



3. Introduzca los anclajes para tacos (20) dentro de los orificios (fig. 5).
4. Retire las tuercas de los anclajes para tacos (20) (fig. 6).



5. Coloque los soportes antivuelco (19) sobre los anclajes para tacos (20) y luego vuelva a colocar y apriete las tuercas sobre los anclajes para tacos (20) (fig. 7).
6. Deslice el electrodoméstico hacia los soportes antivuelco (19) de forma que los soportes se introduzcan y queden completamente trabados dentro de las ranuras para soporte antivuelco (13) (fig. 8).



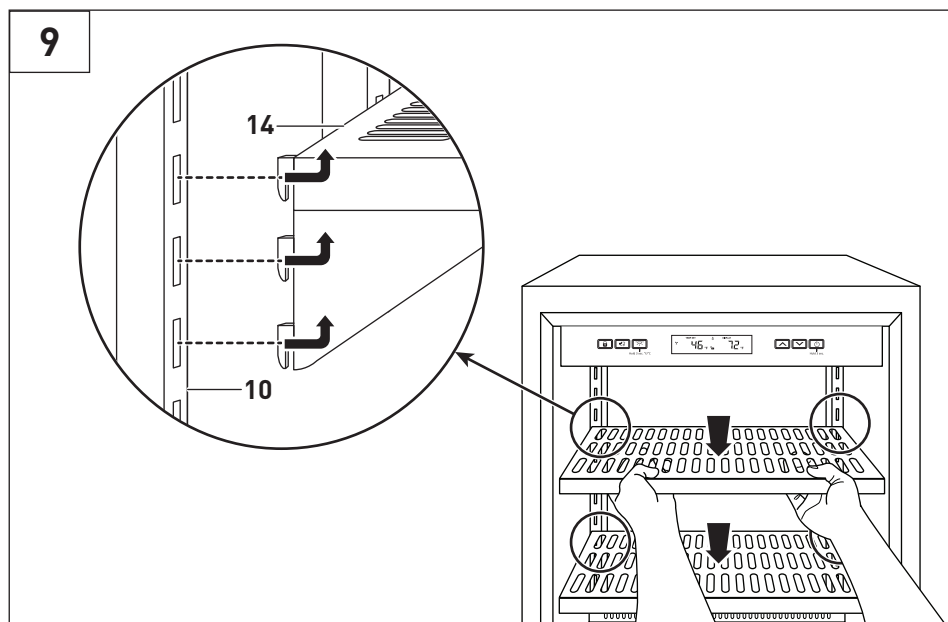
6.1 Encendido y apagado

1. Conecte el enchufe (8) a un tomacorriente adecuado. El electrodoméstico se enciende automáticamente y la pantalla (D) se enciende.
2. La pantalla (D) muestra la configuración de temperatura predeterminada de +34 °F (+7 °C).

6.2 Organizar y colocar bebidas.

⚠ PRECAUCIÓN ¡Riesgo de daños o lesiones! Retire las bebidas de los estantes (14) antes de reorganizar la distribución de estantes.

- Coloque las bebidas de forma uniforme a lo largo y ancho de la parte superior e inferior de la carcasa (1). No sobrecargue los estantes (14).
- No permita que las bebidas toquen la parte trasera de la carcasa (1) para permitir una circulación adecuada de aire.
- Retire el estante (14) para crear espacio adicional para latas o botellas de tamaño grande o formas irregulares, o para el almacenamiento vertical (fig. 9). Para volver a colocar un estante (14) alinéelo dentro de los orificios de los soportes para estantes (10), luego empuje hacia abajo hasta que el estante (14) calce firmemente.
- La capacidad efectiva dependerá del tamaño, forma y distribución de las latas o botellas.





6.3 Ajuste de los controles y la configuración

AVISO La memoria interna del electrodoméstico almacena la última configuración utilizada. Si apaga el electrodoméstico o este pierde la alimentación, al volver a encenderlo se mostrará en la pantalla (D) la configuración anterior.

USO



Temperatura

AVISO La configuración de temperatura puede ajustarse entre +34 °F (+1 °C) y +46 °F (+7 °C).



- Presione el botón  (E) para aumentar la temperatura en +1 °F/+1 °C. El valor configurado parpadea durante 5 segundos.
- Presione el botón  (F) para reducir la temperatura en +1 °F/+1 °C. El valor configurado parpadea durante 5 segundos.

Luz interior


AVISO Si se enciende la luz interior (15), quedará encendida hasta que se apague manualmente.


- Presione el botón  (C) una vez para encender/apagar la luz interior (15).
- Mantenga presionado el botón  (C) durante 3 segundos para alternar las unidades de temperatura entre Fahrenheit y Celsius.

Silenciar y activar alarmas y sonidos



- Presione el botón  (B) una vez para silenciar la alarma de puerta y la alarma de temperatura.
- Mantenga presionado el botón  (B) durante 3 segundos para silenciar el sonido de los botones del panel de control.

Bloquear/desbloquear

AVISO Los botones del panel de control (excepto el botón  (A)) se bloquean automáticamente después de 1 minuto si no se presionan botones en el panel de control (9).

Mantenga presionado el botón  (A) durante 3 segundos para bloquear/desbloquear los botones del panel de control.

Encendido

- Mantenga presionado el botón  (G) durante 1 segundo para encender el electrodoméstico.
- Mantenga presionado el botón  (G) durante 3 segundos para apagar el electrodoméstico.

Modo de demostración

- AVISO**
- El modo de demostración solo está pensado con fines de exhibición. En el modo de demostración no funcionarán el compresor, el ventilador y la alarma de puerta.
 - La luz LED permanece encendida mientras la puerta (4) está cerrada.

Mantenga presionado el botón  (E) y el botón  (F) a la vez durante 3 segundos para activar el modo de demostración.

6.4 Alarmas y códigos de error

Alarma de puerta

- AVISO**
- Si la puerta (4) queda abierta durante más de 1 minuto, el compresor y el ventilador dejan de funcionar. Volverán a funcionar cuando se cierre la puerta (4).
 - Si se silencia la alarma de la puerta, la pantalla (D) seguirá parpadeando para indicar que la puerta (4) está abierta.
 - Cuando la puerta (4) quede abierta durante más de 1 minuto, sonará una alarma. La pantalla (D) parpadea.
 - Cierre la puerta (4) para silenciar la alarma. La pantalla (D) deja de parpadear.

Alarmas de temperatura

AVISO Si se silencia la alarma de temperatura, la pantalla (D) seguirá parpadeando para indicar que la temperatura ha cambiado más allá de la temperatura configurada.

- Si la temperatura en el interior de la carcasa (1) es +39 °F (+4 °C) menor a la temperatura configurada durante más de 1 hora, sonará una alarma. La pantalla (D) mostrará **LL** y parpadeará.
- Si la temperatura en el interior de la carcasa (1) es +39 °F (+4 °C) mayor a la temperatura configurada durante más de 24 horas, sonará una alarma. La pantalla (D) mostrará **HH** y parpadeará.

Guía de códigos de error

- Cuando la pantalla (D) muestre **E1** o **E2**, el compresor, el ventilador y el sistema de descongelamiento se apagarán.
- Cuando la pantalla (D) muestre **E3** o **E4**, el compresor y los ventiladores se apagarán durante 5 minutos y a continuación reanudarán su funcionamiento.

Código	Error
E1	El sensor interno de temperatura tiene un circuito roto.
E2	Sensor de temperatura interna en cortocircuito
E3	El sensor de descongelamiento tiene un circuito roto.
E4	Sensor de descongelamiento en cortocircuito.
HH	Alarma de temperatura alta
LL	Alarma de temperatura baja
La pantalla parpadea	Alarma de puerta abierta

6.5 Consejos para almacenar bebidas

- Configure la temperatura adecuada si solo se guardará un tipo de bebida
- La temperatura recomendada para guardar bebidas distintas es de +40 °F (+5 °C).

Bebida	Rango de temperaturas de almacenamiento
Refrescos, jugos de larga duración, bebidas deportivas	+38 °F a +42 °F (+3 °C a +6 °C)
Cerveza	+38 °F a +46 °F (+3 °C a +7 °C)

LIMPIEZA

- Apague el electrodoméstico y desconecte el enchufe (8) del tomacorriente.
- Use un paño suave y seco para limpiar cualquier polvo del exterior del electrodoméstico.
- Retire todos los artículos y los estantes (14) del electrodoméstico.
- Use un paño suave y absorbente para limpiar cualquier condensación presente.
- Nunca use detergentes corrosivos, cepillos de alambre, estropajos abrasivos o utensilios metálicos/filosos para limpiar el electrodoméstico.

Superficies de acero inoxidable

- Use un limpiador para acero inoxidable según sea necesario para mantener las superficies de acero inoxidable libres de polvo, huellas y otros residuos. Para obtener los mejores resultados, siga las instrucciones del fabricante.
- De lo contrario, use vinagre blanco puro para limpiar las superficies de acero inoxidable.
 - Rocíe el vinagre sobre la superficie
 - Use un paño de microfibra suave para limpiar en el sentido de la veta de la superficie de acero inoxidable. No limpie con movimientos circulares.
 - Humedezca un paño de microfibra limpio con agua destilada o filtrada. Limpie cualquier residuo de vinagre de la superficie.
 - Limpie las superficies con un paño de microfibra suave y limpio.

Panel de vidrio

- Use un limpiador para vidrio según sea necesario para mantener el panel de vidrio (11) libre de polvo, huellas y otros residuos. Para obtener los mejores resultados, siga las instrucciones del fabricante.
- Evite aplicar limpiador de vidrios en la superficie de acero inoxidable circundante.

Superficies interiores

1. Prepare una solución limpiadora de 2 cucharadas de bicarbonato de sodio y 1 cuarto de galón (0,95 l) de agua.
2. Limpie las superficies interiores con la solución de limpieza preparada y un paño suave y limpio.
3. Use un paño suave y agua limpia para limpiar cualquier residuo remanente. Use un paño suave seco para secar.
4. Limpie el panel de control (9) con un paño suave y agua limpia. Use un paño suave seco para secar.

Estantes

- Retire todos los artículos y los estantes (14) del electrodoméstico.
- Use un limpiador para acero inoxidable según sea necesario para mantener los estantes (14) libres de polvo, huellas y otros residuos. Para obtener los mejores resultados, siga las instrucciones del fabricante.

LIMPIEZA

- De lo contrario, use vinagre blanco puro para limpiar los estantes (14).
 - Rocíe el vinagre sobre la superficie
 - Use un paño de microfibra suave para limpiar en el sentido de la veta de la superficie de acero inoxidable. No limpie con movimientos circulares.
 - Humedezca un paño de microfibra limpio con agua destilada o filtrada.
 - Limpie cualquier residuo de vinagre de los estantes.
 - Seque los estantes (14) con un paño de microfibra limpio y suave antes de volver a colocarlos en los soportes para estantes (10).

Junta de la puerta

Use un paño suave húmedo para limpiar la junta de la puerta (12) cuando esté visiblemente polvorienta o sucia.

MANTENIMIENTO

Contacte a un técnico de servicio calificado para que realice cualquier reparación o tarea de mantenimiento no mencionada en este manual de usuario.

Descongelamiento

- El electrodoméstico se descongela automáticamente.
- El compresor se detiene temporalmente mientras el ventilador circula aire alrededor de los serpentines para derretir el hielo.

Corte de energía

- En caso de corte de energía, evite abrir la puerta (4) para mantener una temperatura consistente hasta que se restablezca la energía.
- Si el enchufe (8) se desconecta o si se apaga el electrodoméstico, espere al menos 5 minutos antes de volver a encender el electrodoméstico. Esto evitará dañar el compresor.

Vacaciones o períodos de ausencia

⚠ ADVERTENCIA **Riesgo de aprisionamiento de niños.** Si va a dejar la puerta (4) abierta, asegúrese de que los niños no puedan trepar dentro del electrodoméstico y quedar atrapados.

Si va a dejar de usar el electrodoméstico durante varios meses:

- Apague el electrodoméstico y desconecte el enchufe (8) del tomacorriente.
- Retire todos los artículos y los estantes (14) del electrodoméstico.
- Limpie el electrodoméstico (vea el capítulo "LIMPIEZA").
- Mantenga la puerta (4) entreabierta para evitar la aparición de olor y moho.

TRANSPORTE

Si va a mover o transportar el electrodoméstico:

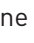
- Apague el electrodoméstico y desconecte el enchufe (8) del tomacorriente.
- Retire las bebidas y limpie el electrodoméstico (vea el capítulo "LIMPIEZA").
- Use cinta adhesiva para fijar los estantes (14) firmemente dentro del electrodoméstico con el fin de evitar daños.
- Cierre la puerta (4) con cinta adhesiva.
- Envuelva el electrodoméstico con una cubierta protectora como una manta o embalaje de burbujas.
- Durante el transporte, fije el electrodoméstico en una posición vertical de forma que no se deslice ni se vuelque.

ELIMINACIÓN



- Deseche el electrodoméstico de acuerdo con las normas locales.
- Este electrodoméstico contiene refrigerantes y gases en su aislación. Estos debe extraerlos y reciclarlos un técnico de servicio calificado.
- Antes de la eliminación, asegúrese de que las tuberías refrigerante.

PREGUNTAS FRECUENTES

Problema	Solución
El electrodoméstico no se enciende.	<ul style="list-style-type: none"> ● Verifique que el enchufe (8) esté correctamente conectado al tomacorriente. ● Verifique que el tomacorriente esté operativo.
El electrodoméstico no está lo suficientemente frío.	<ul style="list-style-type: none"> ● Reduzca la temperatura configurada. ● Reduzca la cantidad de bebidas dentro del electrodoméstico. ● Abra la puerta (4) solo cuando sea necesario. ● Asegúrese de que la puerta (4) se cierre por completo. ● Limpie la junta de la puerta (12).
La luz interior (15) no funciona.	<ul style="list-style-type: none"> ● Verifique que el enchufe (8) esté correctamente conectado al tomacorriente. ● Presione el botón  (C) para encender la luz interior (15). ● El disyuntor podría haberse disparado o un fusible podría haberse quemado.
El compresor y el ventilador se encienden y apagan frecuentemente.	<ul style="list-style-type: none"> ● La temperatura ambiente podría ser mayor a la normal. De ser posible, ajuste la temperatura ambiente. ● Reduzca la cantidad de bebidas dentro del electrodoméstico. ● Abra la puerta (4) solo cuando sea necesario. ● Asegúrese de que la puerta (4) se cierre por completo. ● Limpie la junta de la puerta (12).
El electrodoméstico hace un ruido inusual.	<ul style="list-style-type: none"> ● Asegúrese de que el electrodoméstico esté sobre un suelo estable y nivelado. Ajuste las patas niveladoras (7) de ser necesario. ● Mueva el electrodoméstico para asegurarse de que no esté tocando los objetos o paredes circundantes. ● Los ruidos de gorgoteo son el resultado de que el refrigerante está fluyendo por el sistema refrigerante. Esto es normal.
Se acumula condensación en el interior y el exterior del electrodoméstico y la puerta (4).	<ul style="list-style-type: none"> ● La temperatura ambiente podría ser mayor a la normal. De ser posible, ajuste la temperatura ambiente. ● Abra la puerta (4) solo cuando sea necesario. ● Asegúrese de que la puerta (4) se cierre por completo.

ESPECIFICACIONES DEL PRODUCTO

Voltaje nominal	115 V CA, 60 Hz
Potencia nominal	100 W, 2.8 A
Clase de protección	I
Rango de temperaturas de enfriamiento	+34 °F a +46 °F (+1 °C a +7 °C)
Capacidad máxima	5.3 pies ³ (150 l), 154 latas de bebida estándar
Tipo de refrigerante	R-600a, 1.2 onzas (33 g)
Agente espumante	Ciclopentano (C ₅ H ₁₀)
Sistema de enfriamiento	Enfriamiento por compresor
Tipo de clima	SN
Clasificación IP	IPX4
Peso neto	124 libras (56.25 kg)
Dimensiones (An x Pr x Al)	23 y 7/16 x 23 y 7/16 x 34 y 1/4 pulgadas (59.6 x 59.5 x 87 cm)

GARANTÍA



Garantía y servicio

Este electrodoméstico fue fabricado por Thor International, 4651 E Airport Drive, California 91761

Para contactar al servicio de atención al cliente, llame al (877) 288 - 8099

Para ver la política de servicio y garantía más actualizada, visite nuestro sitio web
WWW.THORKITCHEN.COM/WARRANTY-REGISTRATION

Para solicitudes de servicio dentro del periodo de garantía, visite nuestro sitio web
WWW.THORKITCHEN.COM/SERVICE

Tenga en cuenta que: Deberá proporcionar una prueba de compra o fecha de instalación para toda solicitud de servicio dentro del periodo de garantía.

WELCOME TO THE CLUB

You chose THOR Kitchen to enhance your culinary journey and we're stoked to have you in the club. Think of it as a secret society of really savvy people, such as yourself, choosing professional power and performance at an affordable price.



Register your product by following the steps below.

WARRANTY REGISTRATION



01

Scan the QR code or visit thorkitchen.com/warranty



02

Input your product info and select register



03

You're done. Let's get cookin'.

WARRANTY



NEED PARTS?

