

The background of the entire page is a close-up photograph of a gas cooktop. Several burners are visible, with bright blue flames rising from them. The cooktop surface is dark, and the burner grates are also dark. The lighting is dramatic, highlighting the texture of the cooktop and the intensity of the flames.

THOR
K I T C H E N[®]

INSTALLATION INSTRUCTIONS

**30/36 INCH PROFESSIONAL
INDUCTION COOKTOP**
PIH30 | PIH36

INSTALLATION MANUAL

30 INCH AND 36 INCH INDUCTION COOKTOP

PIH30 PIH36

THOR
K I T C H E N[®]

INSTALLATION & USE

Table of contents

| | |
|---|-----|
| 1 IMPORTANT SAFETY INSTRUCTIONS | 3-4 |
| 1.1 Safety definitions | 3 |
| 1.2 General information | 3 |
| 1.3 General safety instructions | 3 |
| 1.4 Appliance handling safety | 4 |
| 1.5 Safety codes and standards | 4 |
| 1.6 Electrical safety | 4 |
| 1.7 State of California Proposition 65 Warnings | 4 |
| 1.8 Restrictive Use | 4 |
| 2 BEFORE YOU BEGIN | 5 |
| 2.1 Parts Included | 5 |
| 2.2 Tools and parts needed | 5 |
| 2.3 Cabinet requirements | 5 |
| 2.4 Countertop requirements | 5 |
| 3 PREPARE INSTALLATION SPACE | 6-7 |
| 3.1 Cutout dimensions for 30" cooktops | 6 |
| 3.2 Cutout dimensions for 36" cooktops | 6 |
| 3.3 Cabinet ventilation requirements | 7 |
| 4 INSTALLATION PROCEDURE | 7-8 |
| 4.1 Installing The Junction Box (not furnished) | 8 |
| 4.2 Installing the spacers | 8 |
| 4.3 Insert The Cooktop Into Cutout | 8 |
| 5 ELECTRICAL CONNECTION | 9 |
| 5.1 Electrical requirements | 9 |
| 5.2 Connecting electrical supply | 9 |
| 6 CHECKING THE INSTALLATION | 10 |
| 6 Checking the installation | 10 |
| 7 Removing the appliance | 10 |
| 8 Rating plate location | 10 |
| 8.1 Model number (E-Nr.) and production number (FD) | 10 |
| 8.2 Rating plate location | 10 |
| WARRANTY | 11 |



IMPORTANT SAFETY INSTRUCTIONS

Read all instructions carefully before use. These precautions will reduce the risk of electrical shock, fire and injury to persons. When using kitchen appliances, basic safety precautions must be followed including those in the following pages.

1.1 Safety definitions

Here you can find explanations of the safety signal words used in this manual.

WARNING

This indicates that death or serious injuries may occur as a result of non-observance of this warning.

CAUTION

This indicates that minor or moderate injuries may occur as a result of non-observance of this warning.

NOTICE:

This indicates that damage to the appliance or property may occur as a result of non-compliance with this advisory.

Note: This alerts you to important information and/or tips.

1.2 General information

- Read this manual carefully.
- Keep the instructions, the appliance pass and the product information safe for future reference or for the next owner.
- Do not connect the appliance if it has been damaged in transit.

1.3 General safety instructions

IMPORTANT: THE APPLIANCE MUST BE INSTALLED BY A QUALIFIED INSTALLER.

IMPORTANT: SAVE THESE INSTRUCTIONS FOR THE LOCAL ELECTRICAL INSPECTOR'S USE.

INSTALLER: LEAVE THESE INSTALLATION INSTRUCTIONS WITH THE UNIT FOR THE OWNER.

OWNER: PLEASE RETAIN THESE INSTRUCTIONS FOR FUTURE REFERENCE.

Examine the appliance after unpacking it. In the event of transport damage, do not plug it in.

WARNING

If the information in this manual is not followed exactly, fire or shock may result causing property damage or personal injury.

Do not repair, replace or remove any part of the appliance unless specifically recommended in the manuals. Improper installation, service or maintenance can cause injury or property damage.

- ▶ Refer to this manual for guidance.
- ▶ All other servicing should be done by an authorized service provider.

When installing a cooktop over a single oven, be sure to follow the instructions in both the oven's and the cooktop's installation manuals.

- ▶ You can find a list of approved combinations of cooktop and oven in the Approved Combination Matrix of your cooktop, or you can contact Customer Service for the latest list of approved combinations. Do not try to install your cooktop over any oven that is not stated in that list.

DO NOT install any refrigerators, dishwashers, ovens (without ventilation), or washing machines below the cooktop. Refer to the Approved Combination Matrix.

Never modify or alter the construction of the appliance.

The appliance should only be used if installed by a qualified technician in accordance with these installation instructions. The manufacturer is not responsible for any damage resulting from incorrect installation.

To eliminate the risk of burns or fire by reaching over heated surface units, cabinet storage space located above the surface units should be avoided.

- ▶ If cabinet storage is to be provided, the risk can be reduced by installing a hood that projects horizontally a minimum of 5" (127 mm) beyond the bottom of the cabinet.
- ▶ Verify that cabinets above the cooktop are a maximum of 13" (330 mm) deep.

NOTICE:

We strongly recommend the installation of a ventilation system with this appliance.

WARNING

Remove all tape and packaging before using the appliance.

- ▶ Destroy the packaging after unpacking the appliance.
- ▶ Dispose of packaging in an environmentally responsible manner.
- ▶ Never allow children to play with packaging material.

IMPORTANT SAFETY INSTRUCTIONS



1.4 Appliance handling safety

WARNING



Hidden surfaces may have sharp edges.

- ▶ Use caution when reaching behind or under appliance.

1.5 Safety codes and standards

This appliance complies with the latest version of one or more of the following standards:

- UL 858 - Household Electric Ranges
- CAN/CSA-E60335-2-6, The Standard for the Safety of Household and similar electrical appliances.

It is the responsibility of the owner and the installer to determine if additional requirements and/or standards apply to specific installations.

1.6 Electrical safety

- **Installer** - show the owner the location of the circuit breaker or fuse. Mark it for easy reference.
- If required by the National Electrical Code (or Canadian Electrical Code), this appliance must be installed on a separate branch circuit.
- Local codes vary. The installer is responsible for ensuring that the installation, connections, and grounding comply with all applicable codes. The manufacturer is not responsible for any issues associated with the improper installation of this product.
- The circuit breaker should have a contact separation of at least 3 mm on all poles.
- Refer to the rating plate for more information.
- This appliance also incorporates an internal earth connection for functional purposes only.

WARNING

Before installing, turn power OFF at the service panel.

- ▶ Lock service panel to prevent power from being turned ON accidentally.



IMPROPER GROUNDING CAN RESULT IN A RISK OF ELECTRIC SHOCK

- ▶ Consult a qualified electrician if the grounding instructions are not completely understood, or if doubt exists as to whether the appliance is properly grounded.

- ▶ DO NOT USE AN EXTENSION CORD.

GROUNDING INSTRUCTIONS

- ▶ This appliance must be grounded.
- ▶ Grounding reduces the risk of electric shock by providing a safe pathway for electric current in the event of a short circuit.
- ▶ Be sure your appliance is properly installed and grounded by a qualified technician.
- ▶ Installation, electrical connections and grounding must comply with all applicable codes.

Do not use an extension cord. If the power supply cord is too short, have a qualified electrician install an outlet near the appliance.

1.7 State of California Proposition 65 Warnings

This product may contain a chemical known to the State of California, which can cause cancer or reproductive harm. Therefore, the packaging of your product may bear the following label as required by California:

STATE OF CALIFORNIA PROPOSITION 65 WARNING:



WARNING

Cancer and Reproductive Harm - www.P65Warnings.ca.gov

1.8 Restrictive Use

This appliance is not intended for use by persons (including children) with reduced physical, sensory or mental capabilities, or lack of experience and knowledge, unless they have been given supervision or instruction concerning use of the appliance by a person responsible for their safety.

Do not let children play with the appliance.

When children become old enough to use the appliance, it is the responsibility of the parents or legal guardians to ensure that they are instructed in safe practices by qualified persons.

Children should be supervised to ensure that they do not play with the appliance.

BEFORE YOU BEGIN

2 Before you begin

Read these instructions before you begin to install your appliance.

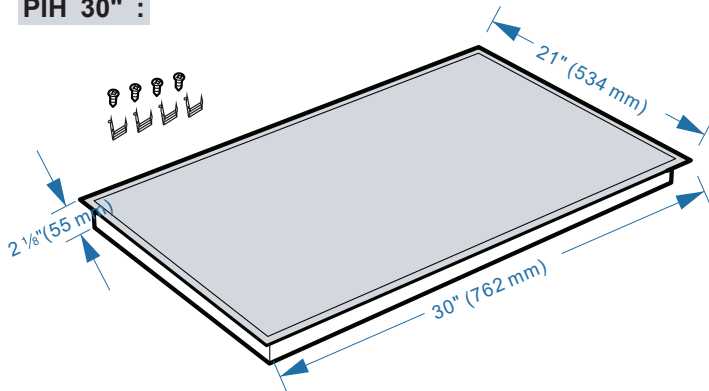
This Installation Guide covers several models. All graphics are representative. Your appliance may vary in appearance and features.

2.1 Parts included

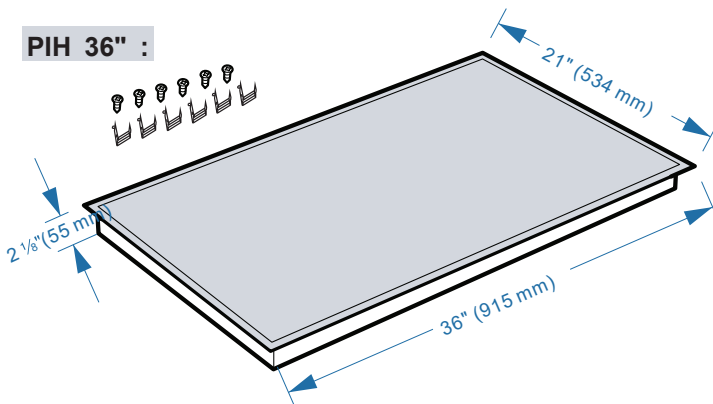
After unpacking all the parts, check for any damage in transit and for completeness of delivery.

(There is one easy fit kits package for each cooktop, include fixing spacers and screws (for PIH 30 total 4pcs spacers and 4pcs screws, for PIH 36 total 6pcs spacers and 6pcs screws). Find the easy fit kit package first.

PIH 30" :



PIH 36" :



2.2 Tools and parts needed

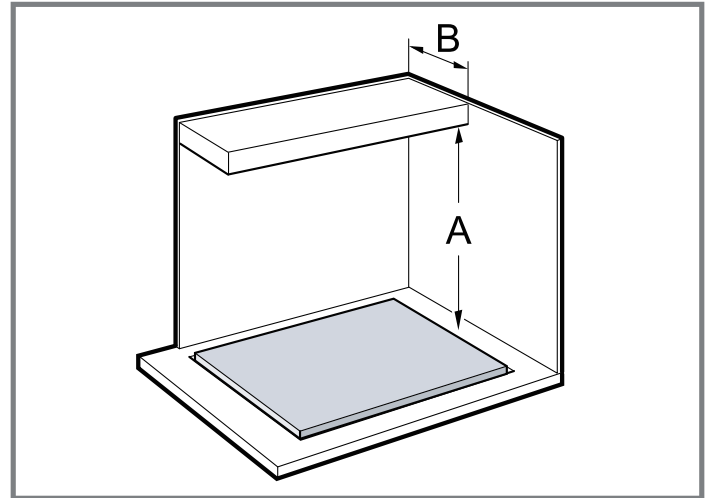
Prepare these tools and accessories before you start to install your appliance.

- Pencil
- Measuring tape
- Cross head screwdriver
- Drill with bit 1/4" (6 mm)
- Jigsaw

Note: Additional materials may be necessary for installation in solid surface countertops. Contact the countertop manufacturer.

2.3 Cabinet requirements

Ensure that the cabinetry at the installation location meets the requirements for a safe installation.



- The distance from the top of the cooktop to the bottom of cabinets above must be a minimum of A=30" (762 mm).
- This distance can be reduced to A=24" (610 mm) when the bottom of the wood or metal cabinet is protected by not less than 1/4" (6.35 mm) flame-retardant millboard covered with not less than no. 28 gauge sheet metal, 0.015" (0.4 mm) stainless steel, 0.024" (0.6 mm) aluminum or 0.020" (0.5 mm) copper.
- Verify that unprotected cabinets above the cooktop are a maximum of B=13" (330 mm) deep.

Installation of a cooktop over ovens and microwaves

Only certain models may be installed over an oven or a microwave. Verify the Approved Combination Guide supplied with these instructions for approved installation combinations. Both products will have a label stating Approved Combination Guide.

Installation of a range hood or a microwave hood above the cooktop

Follow the range hood or microwave hood installation instructions for dimensional clearance above the cooktop surface.

2.4 Countertop requirements

Ensure that the countertop into which the cooktop is to be installed meets these requirements for a safe installation.

⚠ WARNING

To reduce the risk of ignition of surrounding combustible materials, install at least 2" (51 mm) from both sidewalls and the rear wall.

PREPARE INSTALLATION SPACE

- The countertop must be level and horizontal.
- The stability of the countertop must be maintained after the cut-out has been made.
- Solid surface countertops often require special installations. For example, heat-reflective tape and rounded corners may be necessary.
- Contact the countertop manufacturer for instructions specific to your countertop.

3 Prepare installation space

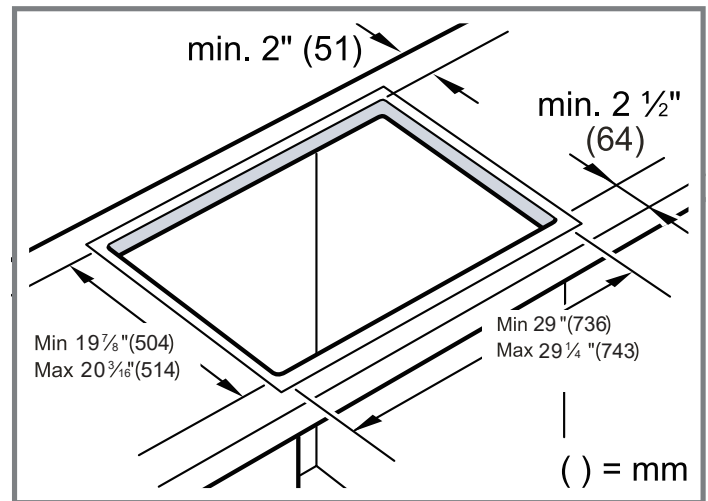
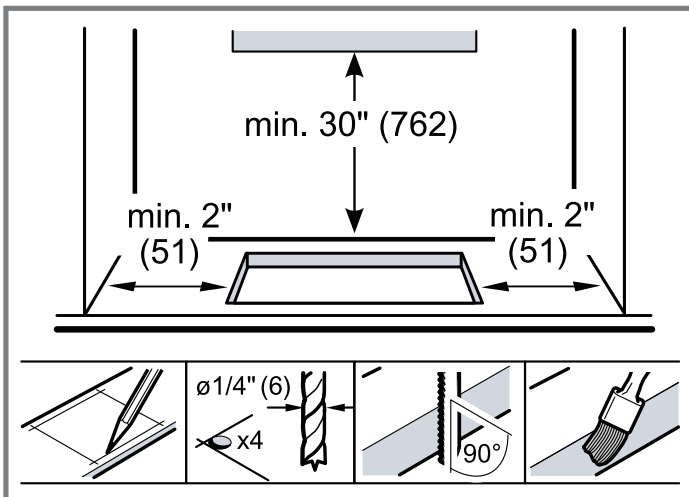
Create the cutout in the countertop according to the instructions.

General countertop requirements:

- The angle of the cut surface to the countertop surface must be 90°.
- With multi-layered countertops, secure strips laterally in the cutout if necessary.
- After creating the cutout, remove all debris.
- Seal the cut surfaces in a heat- and water-resistant manner.
- Observe the minimum distance between device underside and cabinet surfaces of $\frac{3}{8}$ " (10 mm).
- The countertop into which the cooktop is installed must be heat-resistant up to 140° F (90 °C).
- The countertop into which the cooktop is installed must be at least $1\frac{3}{16}$ " (20 mm) thick.
- If the thickness of the countertop into which the cooktop is installed does not comply with the specifications, reinforce the worktop using a fire- and water-resistant material until it reaches the minimum thickness. Otherwise, sufficient stability cannot be assured.
- The countertop into which the cooktop is installed should withstand loads of approx. 133 lbs (60 kg).
- Confirm the cooktop is level only after it has been installed.

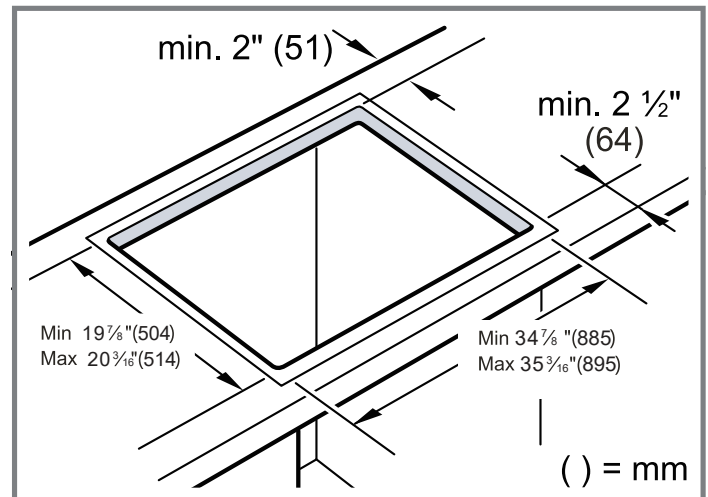
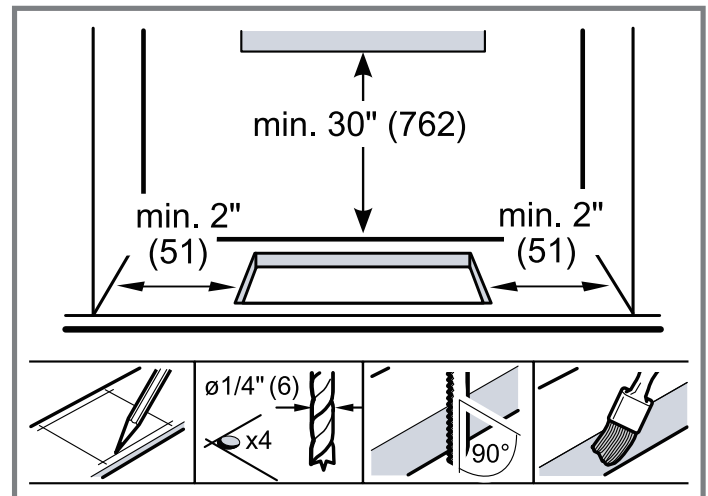
3.1 Cutout dimensions for 30" cooktops

Refer to these measurements for the models stated here.



3.2 Cutout dimensions for 36" cooktops

Refer to these measurements for the models stated here.



PREPARE INSTALLATION SPACE

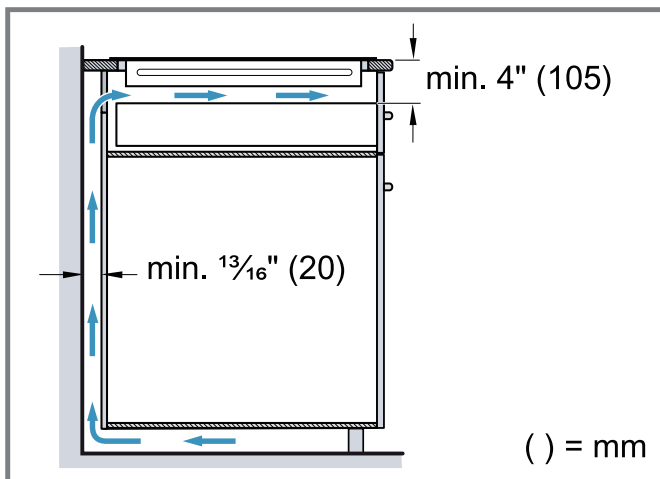
3.3 Cabinet ventilation requirements

To assure that the appliance works correctly, the cooktop **MUST** be sufficiently ventilated.

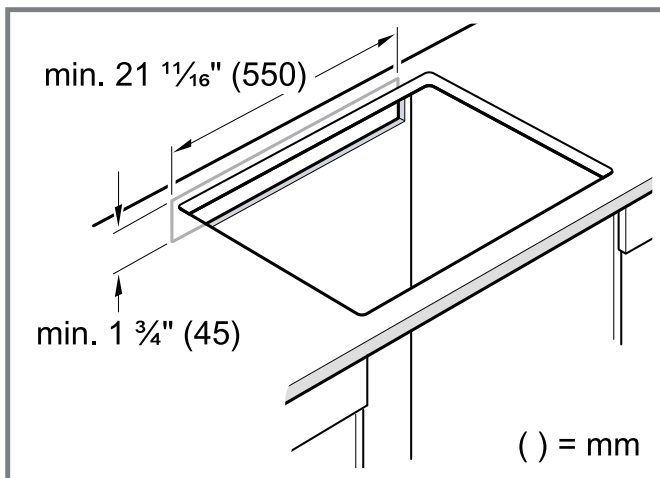
The ventilation in the lower section of the appliance requires a sufficient supply of fresh air. Ensure that the cabinet is designed in a way that supports sufficient ventilation. The following requirements must be fulfilled:

Notes

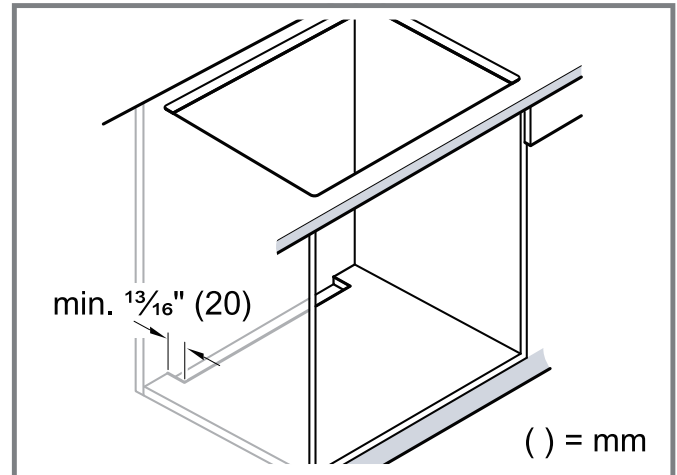
- A minimum clearance between the rear of the cabinet and the kitchen wall, and between the surface of the countertop and the upper area of the drawer.



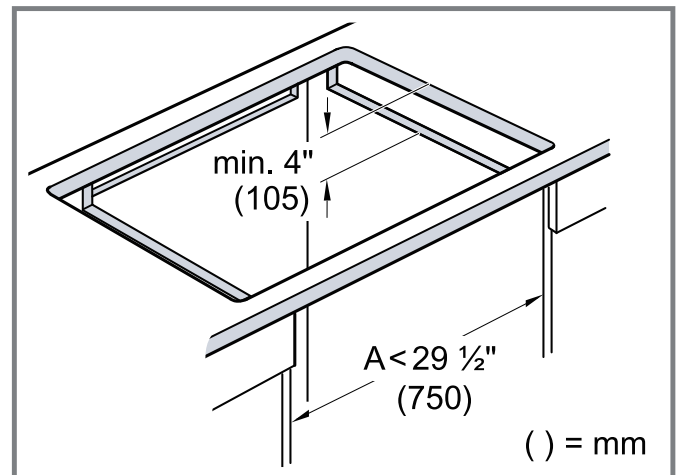
- An opening at the top to the rear of the cabinet.



- If the minimum clearance of $1\frac{3}{16}$ " (20 mm) is not provided at the rear of the cabinet, you must create an opening on the underside.



- If the inside of the cabinet is no wider than $29\frac{1}{2}$ " (750 mm), make cutouts in the side panels.



- If the appliance is installed in an island unit or another installation that is not described here, you must ensure that the cooktop is sufficiently ventilated.

4 Installation procedure

Follow these instructions to install the cooktop into the countertop.

⚠ CAUTION

Sharp edges.

- ▶ Use protective gloves when installing the appliance.

⚠ CAUTION

The appliance is heavy.

- ▶ It is recommended that two people install this appliance.

INSTALLATION PROCEDURE

4.1 Installing The Junction Box (not furnished)

The junction box must be located within 4 feet of the cooktop connection.

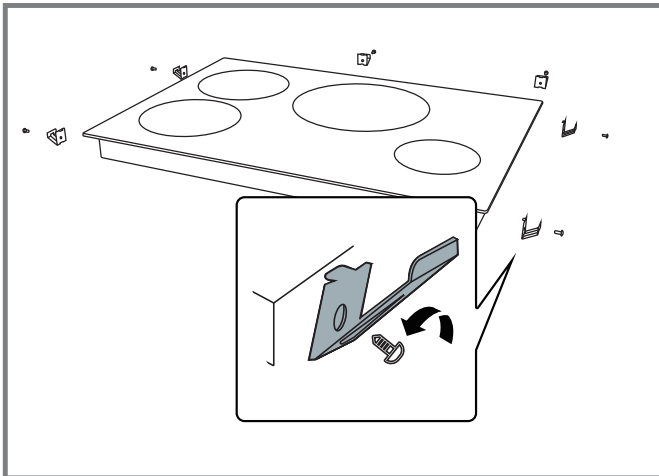
It should be easily accessible for service purposes.

4.2 Installing the spacers

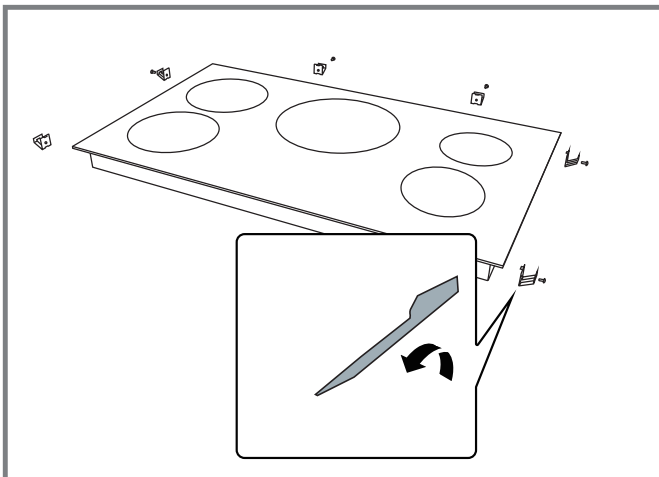
- There is one easy fit kits package for each cooktop, include fixing spacers and screws (for PIH36 and PIH36 total 6pcs spacers and 6pcs screws). Find the easy fit kit package first.

- Fix spacers to cooktop:
Insert the fixing spacers into fixing holes reserved on sides housing, fix clip to housing with screw, then insert cooktop into cabinet/work surface.

- PIH30

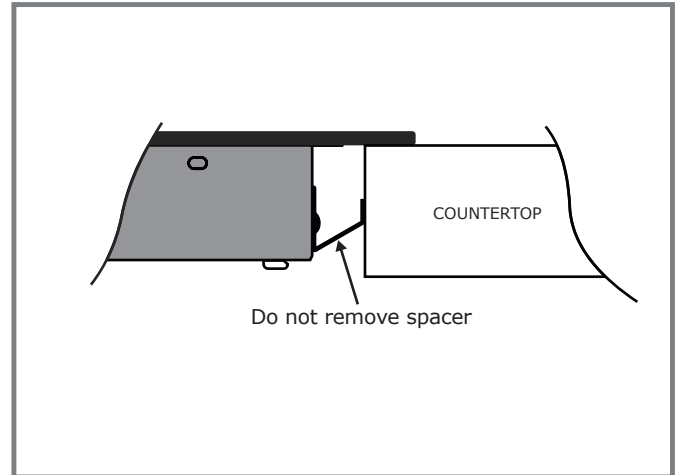


- PIH36



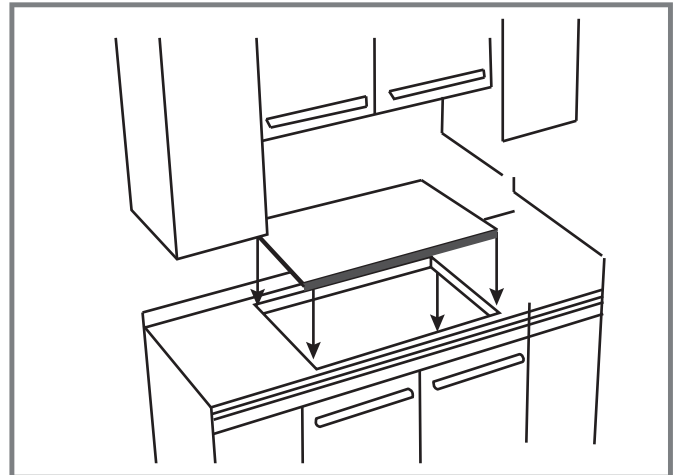
NOTE:

The cooktops include spacers on both sides and rear sides to ensure proper airflow once installed. Do not remove the spacers.



4.3 Insert The Cooktop Into Cutout

Insert the cooktop centered into the cutout opening. Make sure cooktop is parallel to the front edge of the countertop. Make final check that all required clearances are met.



ELECTRICAL CONNECTION

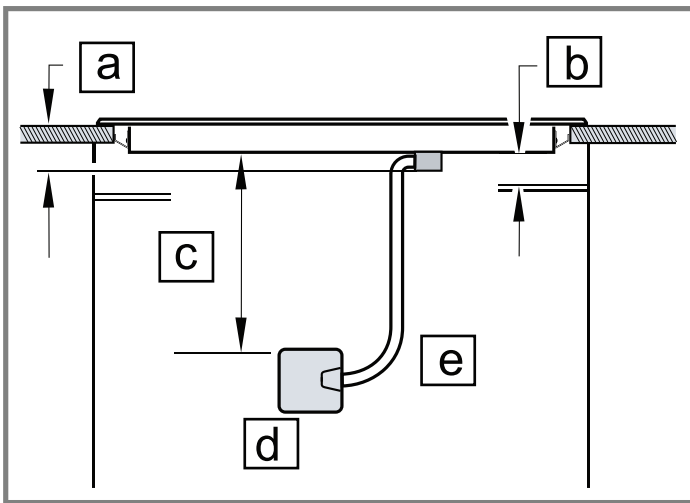
5 Electrical connection

Read these instructions to safely connect your appliance to the electrical supply.

5.1 Electrical requirements

Ensure that the following general requirements are met.

- You can find the rating plate with the electrical specifications on the underside of the appliance.
→ "Rating plate location", Page 10
- The junction box must be located within 3 feet of the cooktop connection. It should be easily accessible for service purposes.



| | |
|---|--|
| a | max. 1 3/8" (50 mm) + fitting/conduit 1/2" (30 mm) |
| b | min. 4 3/4" (120 mm) air clearance |
| c | approx. 12" (300 mm) |
| d | junction box |
| e | flexible conduit approx. 3 ft. (900 mm) |

Power supply

All models must be connected with the included 39" (1 m) flexible conduit.

| | |
|-------|-----|
| PIH30 | 40A |
| PIH36 | 50A |

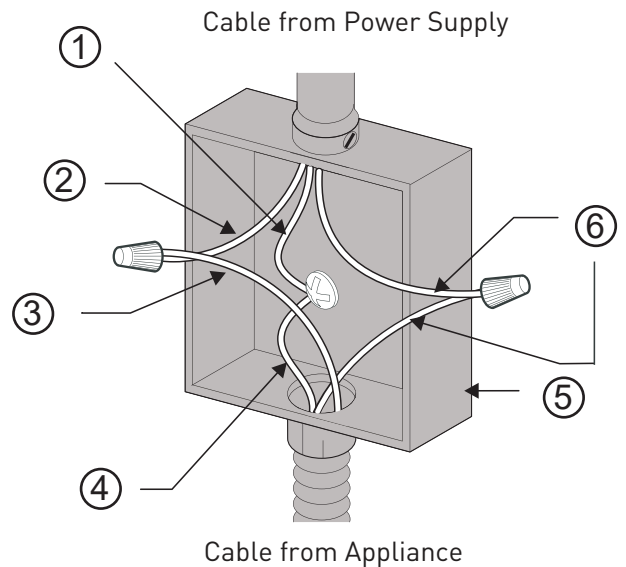
5.2 Connecting electrical supply

⚠ WARNING

- Before installing, turn power OFF at the service panel.
- ▶ Lock service panel to prevent power from being turned ON accidentally.

Note: If the cooktop is installed and connected as specified here, it will be grounded in compliance with the National Electrical Code.

1. Install a suitable junction box (not furnished).
The branch-circuit breakers ampacity, the wire sizes and the connections must conform to the requirements of the National Electrical Code or Canadian Electrical Code and all local codes and ordinances.
2. Attach the flexible conduit to the junction box.
3. Connect the lead wires to the junction box supply wires in proper phase.



- | | |
|---|------------------------|
| ① | White Wire (Neutral) |
| ② | Red Wire |
| ③ | Red Wire |
| ④ | Green Wire (Grounding) |
| ⑤ | Junction Box |
| ⑥ | Black Wire |

CHECKING THE INSTALLATION

- Black wires of cooktop to black house wire
- Red wires of cooktop to red house wire
- Green or bare to ground

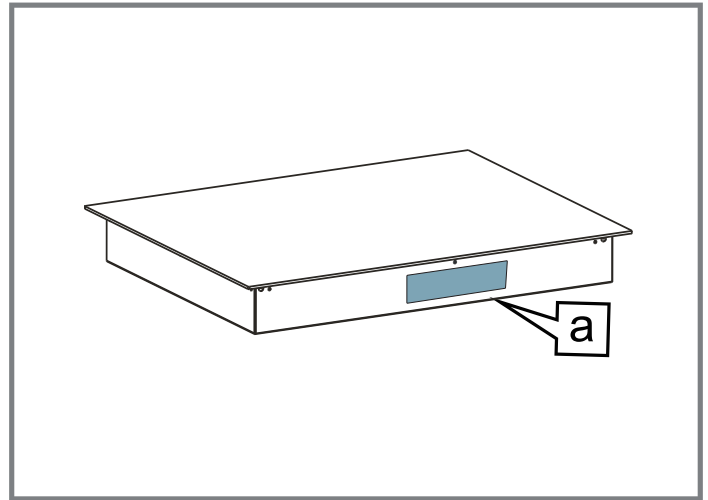
6 Checking the installation

Check if your unit is working properly after you have completed the installation steps.

⚠ WARNING

Before you turn on power supply, make sure all controls are in the OFF position.

1. Remove everything from the cooktop surface including stickers.
2. Clean the cooktop surface with cooktop cleaning cream.
3. Switch on the circuit breaker.
4. Verify that all cooking zones function properly.



a Rating plate

7 Removing the appliance

1. Disconnect the appliance from the power supply.
2. **NOTICE:** Do not lever the appliance out from above at the frame.
Push out the appliance from below.

8 Rating plate location

8.1 Model number (E-Nr.) and production number (FD)

You can find the model number (E-Nr.) and the production number (FD) on the appliance's rating plate.

8.2 Rating plate location

- You can find the rating plate of your appliance:
- on the side of the appliance

WARRANTY



Warranty&Service

This appliance has been manufactured by Thor International, 4651 E Airport Drive, California 91761

For Customer Service, please call (877) 288 - 8099

For the most up to date warranty and service policy, please refer to our website

WWW.THORKITCHEN.COM/WARRANTY-REGISTRATION

For in-warranty service requests, please visit our website at

WWW.THORKITCHEN.COM/SERVICE

Please Note: You must provide proof of purchase or installation date for any in-warranty service requests

We Stand Behind the Quality of Our Appliances.

Reliability and customer satisfaction are our top priorities. We offer a solid two-year warranty on both parts and labor. Enjoy professional-grade performance with the confidence that we've got you covered.

Warranty Registration Made Easy.

01 Scan the QR Code or visit thorkitchen.com/register-your-product.

02 Input your purchase and product information and select register.

03 That's it. You're all set. Enjoy!



WARRANTY



PARTS

Questions: service@thorinternational.com