



**THOR**  
K I T C H E N<sup>®</sup>

# INSTALLATION INSTRUCTIONS

---

**GAS RANGES LRG MODELS**

LRG2401U | LRG3001U

LRG3601U | LRG4807U

**INSTALLATION INSTRUCTIONS**

# **GAS RANGES**

## **LRG MODELS**

LRG2401U | LRG3001U  
LRG3601U | LRG4807U

**THOR**  
K I T C H E N<sup>®</sup>

# TABLE OF CONTENTS

<b>IMPORTANT INSTRUCTION</b> .....	2
1.1 Critical safety information .....	2
1.2 Signal words explanation .....	3
1.3 Intended use .....	3
1.4 IMPORTANT INSTRUCTION .....	4
<b>DELIVERY</b> .....	7
2.1 Unpack .....	7
2.2 Appliance description .....	8
<b>INSTALLATION</b> .....	18
3.1 Important note to the installer .....	18
3.2 Clearances and dimensions .....	18
3.3 Install the handle .....	24
3.4 Attach/detach the oven door .....	25
3.5 Attach/detach the drawer(s) (LRG3001U, LRG3601U and LRG4807U only) .....	28
3.6 Install the burner knobs .....	29
3.7 NG to LP gas conversion .....	30
3.8 Connect to a gas supply .....	34
3.9 Connect to power .....	35
3.10 Install the back spacers .....	36
3.11 Move and level the appliance .....	36
3.12 Install anti-tip device .....	36
3.13 Place the bottom cover (LRG3001U, LRG3601U, LRG4807U only) .....	40
3.14 Assemble the burners .....	40
3.15 Perform a test run .....	41
3.16 Conditioning .....	42
<b>TROUBLESHOOTING</b> .....	42
<b>WARRANTY</b> .....	43

# IMPORTANT INSTRUCTION

## 1.1 Critical safety information

**WARNING:** If the information in these instructions is not followed exactly, a fire or explosion can result causing property damage, personal injury, or death.

- Do not store or use gasoline or other flammable vapors and liquids in the vicinity of this or any other appliance.
- **WHAT TO DO IF YOU SMELL GAS:**
  - Do not try to light any appliance.
  - Do not touch any electrical switch.
  - Do not use any phone in your building.
  - Immediately call your gas supplier from a neighbor's phone. Follow the gas supplier's instructions.
  - If you cannot reach your gas supplier, call the fire department.
- Installation and service must be performed by a qualified installer, service agency, or the gas supplier.

## **⚠ WARNING**

**Never Operate the Top Surface Cooking Section of this Appliance Unattended.**

- Failure to follow this warning statement could result in fire, explosion, or burn hazard that could cause property damage, personal injury, or death.
- If a fire should occur, keep away from the appliance and immediately call your fire department.

**DO NOT ATTEMPT TO EXTINGUISH AN OIL/GREASE FIRE WITH WATER.**

## **⚠ WARNING**

**NEVER** use this appliance as a space heater to heat or warm the room. Doing so can result in carbon monoxide poisoning and overheating of the oven.

# IMPORTANT INSTRUCTION

## **⚠ WARNING**

- A child or adult can tip the appliance and be killed.
- Install the anti-tip device to the wall/floor (**see chapter 3.13 Install anti-tip device**). Verify the anti-tip device has been properly installed and engaged with the back of the appliance.
- Engage the appliance to the anti-tip device by pushing that appliance all the way into the installation location. Ensure the anti-tip device is re-engaged when the appliance is moved.
- Re-engage the anti-tip device if the appliance is moved. Do not operate the appliance without the anti-tip device in place and engaged.
- See installation instructions for details.
- Failure to do so can result in death or serious burns to children or adults.

To check the installation of the anti-tip device:

1. Remove any items on the cooktop (21).
2. Grasp the top rear edge of the appliance and carefully attempt to tilt it forward.
3. Verify that the anti-tip device is engaged.

## 1.2 Signal words explanation

The following signal words are used in this manual

<b>⚠ DANGER</b>	This signal word indicates a hazardous situation which, if not avoided, will result in death or serious injury.
<b>⚠ WARNING</b>	This signal word indicates a hazardous situation which, if not avoided, could result in death or serious injury.
<b>⚠ CAUTION</b>	This signal word indicates a hazardous situation which, if not avoided, could result in minor or moderate injury.
<b>CAUTION</b>	This signal word indicates a hazardous situation which, if not avoided, could result in property damage.
<b>NOTICE</b>	This signal word is a preferred signal word to address tips and practices not related to personal injury.

## 1.3 Intended use

- This appliance is intended for cooking and preparing food.
- This appliance is intended for household use only.
- This appliance is intended to be used in dry indoor areas only.
- Only use the appliance as mentioned in this manual. Any other use is considered improper and may result in damage to property or injury to persons.
- Potential injury from improper use.
- The manufacturer or vendor cannot be held liable for damages or injury incurred through improper or incorrect use.

# IMPORTANT INSTRUCTION

## 1.4 IMPORTANT INSTRUCTION

This installation instructions is part of this appliance, and contains important information on setup and use. Read this manual carefully, especially the **IMPORTANT INSTRUCTION chapter**, before using the appliance. Failure to do so may result in personal injury and/or damage to the appliance.

- Keep this manual for future use and reference. Make sure to include this manual when passing the appliance on to third parties. If you require a digital copy of this manual, please contact customer service.
- Installation of the appliance must conform with local codes or, in the absence of local codes, with ANSI Z223.1/NFPA 54 or, in Canada, CSA B149.1.
- It is recommended to electrically ground the appliance during installation in accordance with local codes or, in the absence of local codes, with NFPA 70 or CSA C22.1.
- The ventilation area is located at the back of the appliance. The back of the appliance should not be in direct contact with a wall/surface. Install the back spacers to the back of the appliance to maintain a proper area for ventilation.
- In the event of a power failure, do not attempt to use the appliance. If the power fails, always turn the oven off. If the oven is not turned off and the power returns, the oven may begin to operate again. Food left unattended could catch fire or spoil.
- The maximum depth of cabinets installed above the cooktop (21) is 13" (33 cm).
- Seal any openings in the wall behind the appliance and in the floor under the appliance.
- If there is a cabinet above the appliance, install a noncombustible material on the bottom if that cabinet in accordance with local codes or, in the absence of local codes, with ANSI Z223.1/NFPA 54 or, in Canada, CSA B149.1.
- Proper Installation - Be sure your appliance is properly installed and grounded by a qualified technician.
- Never Use Your Appliance for Warming or Heating the Room.
- Do Not Leave Children Alone - Children should not be left alone or unattended in area where appliance is in use. They should never be allowed to sit or stand on any part of the appliance.
- Wear Proper Apparel - Loose-fitting or hanging garments should never be worn while using the appliance.
- User Servicing - Do not repair or replace any part of the appliance unless specifically recommended in the manual. All other servicing should be referred to a qualified technician.
- Storage in or on Appliance - Flammable materials should not be stored in an oven or near surface units.
- Do Not Use Water on Grease Fires - Smother fire or flame or use dry chemical or foam-type extinguisher.
- Use Only Dry Potholders - Moist or damp potholders on hot surfaces may result in burns from steam. Do not let potholder touch hot heating elements. Do not use a towel or other bulk cloth.
- Use Proper Pan Size - The appliance is equipped with one or more surface units of different size. Select utensils having flat bottoms large enough to cover the surface unit heating element. The use of undersized utensils will expose a portion of the heating element to direct contact and may result in ignition of clothing. Proper relationship of utensil to burner will also improve efficiency.
- Never Leave Surface Units Unattended at High Heat Settings - Boilover causes smoking and greasy spillovers that may ignite.

## IMPORTANT INSTRUCTION

- Protective Liners - Do not use aluminum foil to line surface unit drip bowls or oven bottoms, except as suggested in the manual. Improper installation of these liners may result in a risk of electric shock, or fire.
- Glazed Cooking Utensils - Only certain types of glass, glass/ceramic, ceramic, earthenware, or other glazed utensils are suitable for appliance-top service without breaking due to the sudden change in temperature.
- Utensil Handles Should Be Turned Inward and Not Extend Over Adjacent Surface units - To reduce the risk of burns, ignition of flammable materials, and spillage due to unintentional contact with the utensil, the handle of a utensil should be positioned so that it is turned inward, and does not extend over adjacent surface units.
- Do Not Soak Removable Heating Elements - Heating elements should never be immersed in water.
- Use Care When Opening Door - Let hot air or steam escape before removing or replacing food.
- Do Not Heat Unopened Food Containers - Build-up of pressure may cause container to burst and result in injury.
- Keep Oven Vent Ducts Unobstructed.
- Placement of Oven Racks - Always place oven racks in desired location while oven is cool. If rack must be moved while oven is hot, do not let potholder contact hot heating element in oven.
- Do Not Clean Door Gasket - The door gasket is essential for a good seal. Care should be taken not to rub, damage, or move the gasket.
- Do not use a protective coating to line the oven and do not use commercial oven cleaner.
- Clean Only Parts Listed in Manual.
- DO NOT TOUCH SURFACE UNITS OR AREAS NEAR SURFACES UNITS - Surface units may be hot even though they are dark in color. Areas near surface units may become hot enough to cause burns. During and after use, do not touch, or let clothing or other flammable materials contact surface units or areas near units until they have had sufficient time to cool. Among these areas are the cook-top and surfaces facing the cook-top.
- DO NOT TOUCH HEATING ELEMENTS OR INTERIOR SURFACES OF OVEN - Heating elements may be hot even though they are dark in color. Interior surfaces of an oven become hot enough to cause burns. During and after use, do not touch, or let clothing or other flammable materials contact heating elements or interior surfaces of oven until they have had sufficient time to cool. Other surface of the appliance may become hot enough to cause burns - among these surface are oven vent openings and surfaces near these openings, oven doors, and windows of oven doors.

**⚠ WARNING Risk of fire and damage!** Placing aluminum foil directly on the heating elements of the appliance can result in overheating, fires, and damage to the appliance. To prevent these risks, ensure that there is a safe distance and avoid direct contact between the heating elements and aluminum foil.

**⚠ CAUTION Risk of injury!** Do not store items of interest to children in cabinets above an appliance or on the backguard of a appliance - children climbing on the appliance to reach items could be seriously injured.

- It is recommended to disconnect the appliance and its individual shut-off valve from the gas supply piping system during any pressure testing of the gas supply piping system at test pressures in excess of 1/2 psi (3.5 kPa).
- It is recommended to isolate the appliance from the gas supply piping system by closing its individual shut-off valve during any pressure testing of the gas supply piping system at test pressures equal to or less than of 1/2 psi (3.5 kPa).

## IMPORTANT INSTRUCTION

- The appliance should not be installed with a ventilation system that blows air downward toward the appliance. This type of ventilation system may cause ignition and combustion problems with the gas cooking appliance resulting in personal injury or unintended operation.
- Do not use an air curtain or other overhead appliance hood (equipment that operates by blowing a downward airflow onto a appliance) in conjunction with a gas appliance unless the hood and appliance have been designed and tested in accordance with ANSI Z21.1 or CSA 1.1, and designed and tested for combination use.
- The maximum gas supply pressure, test pressure and the supplied pressure regulator setting of the gas appliance supplied is as follows:

	<b>LP (Liquid Propane) in wc</b>	<b>NG (Natural gas) in wc</b>
Maximum gas supply pressure	13.0	10.0
Test pressure	≥11.0	≥6.0
Appliance pressure regulator setting for outlet pressure	10.0	5.0

- Leak testing of the appliance shall be conducted in accordance with these instructions (**see chapter 3.9 Connect to a gas supply**).
- A manual valve has to be installed in an accessible location in the gas piping external to the appliance for the purpose of turning on or shutting off the gas supply to the appliance.



### **WARNING**

This appliance contains chemicals known to the State of California to cause cancer and/or reproductive harm, and birth defects or other reproductive harm. For more information go to [www.P65Warnings.ca.gov](http://www.P65Warnings.ca.gov).

### **COMMONWEALTH OF MASSACHUSETTS**

- Installations and repairs must be performed by a qualified or licensed contractor, plumber, or gas fitter, qualified or licensed by the state, province, or region where this appliance is being installed.
- Use only gas shut-off valves approved for use within the state, province, or region where this appliance is being installed.
- A flexible gas connector, when used, must not exceed 3' (0.9 m).

## 2.1 Unpack

**⚠ DANGER Risk of suffocation!** Keep any packaging materials away from children and pets – these materials are a potential source of danger, e.g. suffocation.

- If the appliance is too heavy, it is possible to remove the oven door (26) before moving the appliance (**see chapter 3.4 Attach/detach the oven door**).
- Do not remove any warning-type labels, the model and serial number label, or the tech sheet that is located on the back of the appliance.

You will need:

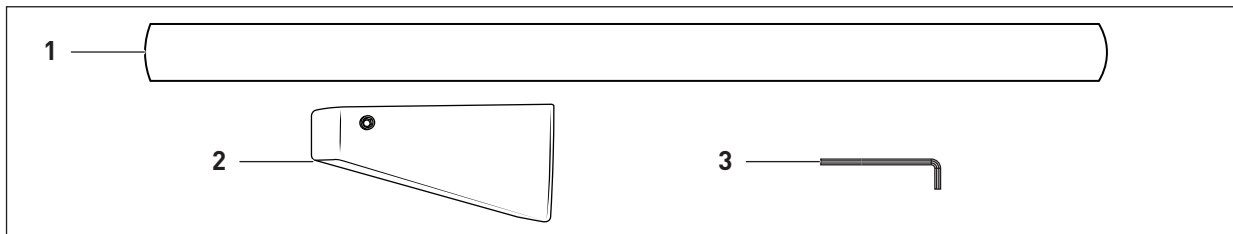
- People x 2
- Furniture dolly x 1
- Soft towel/blanket x 1
- Cardboard/plywood that is sufficiently large for the appliance to be placed on

1. Cut the straps on the packaging.
2. Take off the top cover and then lift the whole cardboard sleeve off.
3. Unpack the appliance parts located on the foam tray on top of the appliance.
4. Take off the foam tray.
5. Open the oven door (26) and remove all packing materials and appliance parts.
6. Check the appliance for transport damages.
7. Review all components (**see chapter 2.2 Appliance description**).
8. Wrap the appliance with a soft towel/blanket to prevent any scratches when the appliance comes into contact with the furniture dolly.
9. Stand at the back of the appliance and tilt in towards the furniture dolly.
10. Slide the furniture dolly underneath the appliance to remove the appliance from its packaging base.
11. Place the appliance onto cardboard or plywood to avoid damaging the floor surface.

# DELIVERY

## 2.2 Appliance description

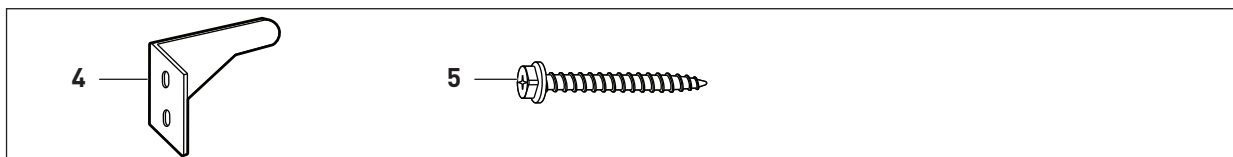
Door parts



1	Door handle x 1 (x2 for LRG4807U)	3	Hex key x 1
2	Door side bracket x 2 (x4 for LRG4807U)		

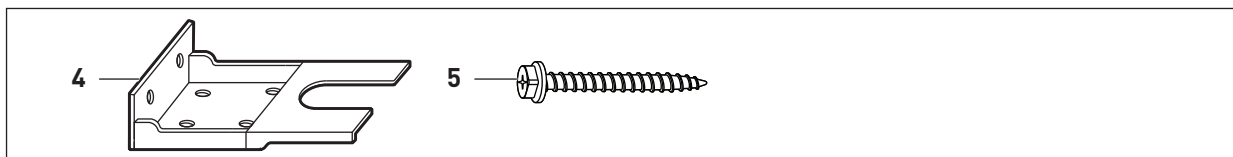
Anti-tip kit

**For model LRG2401U**



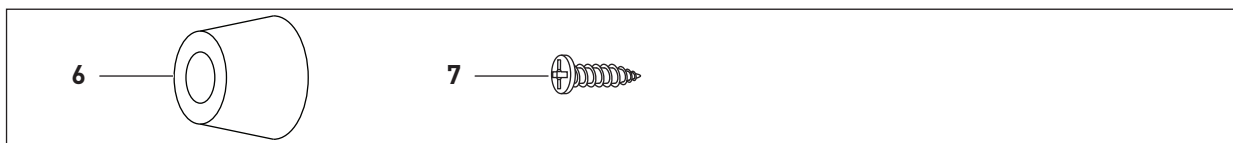
4	Anti-tip device x 1	5	Anti-tip device screw x 2
---	---------------------	---	---------------------------

**For model LRG3001U, LRG3601U and LRG4807U**



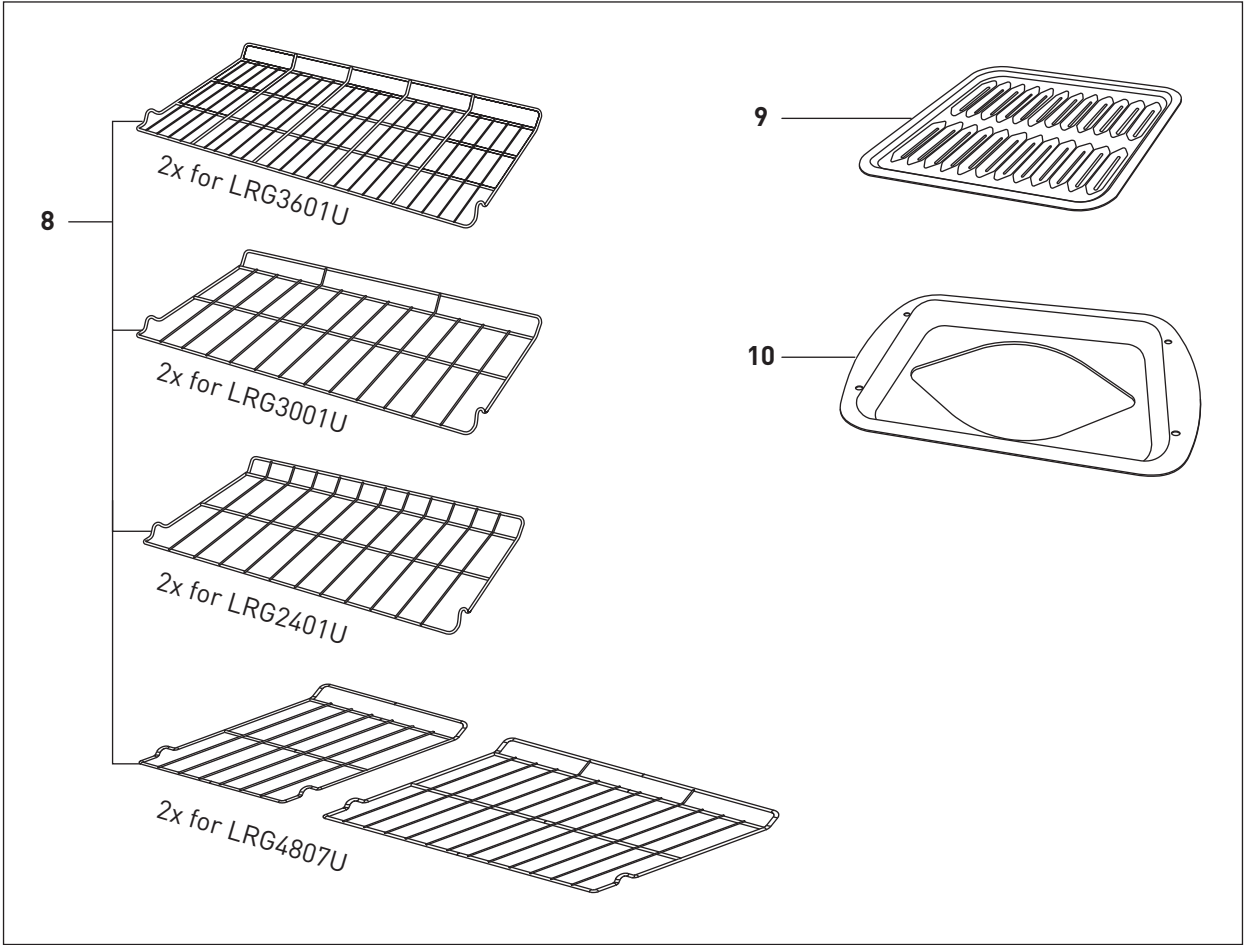
4	Anti-tip device x 1	5	Anti-tip device screw x 4
---	---------------------	---	---------------------------

Spacer kit



6	Spacer x 2	7	Spacer screw x 2
---	------------	---	------------------

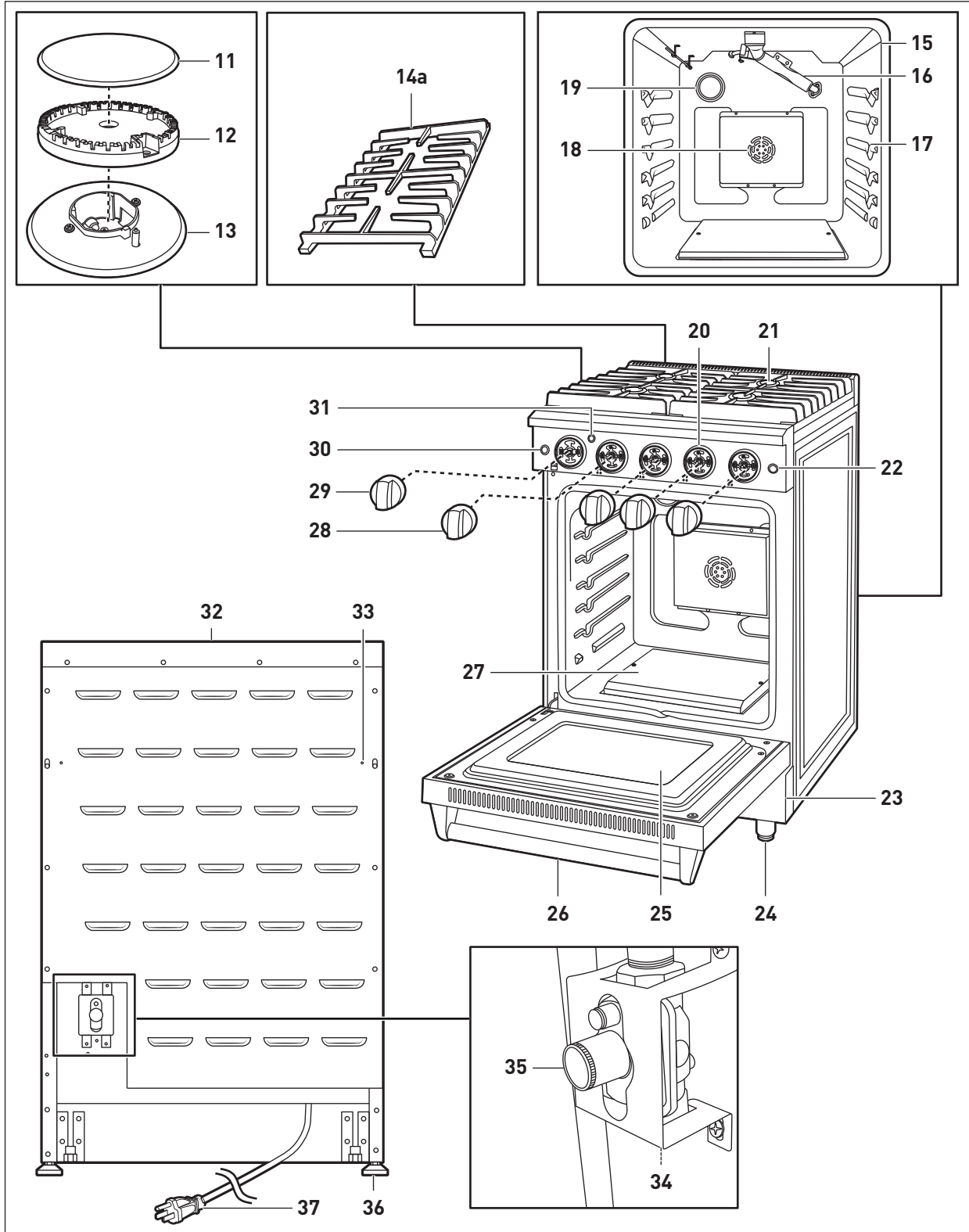
Baking accessories



<b>8</b>	Oven rack	<b>10</b>	Broiler pan x 1
<b>9</b>	Grid x 1		

# DELIVERY

## LRG2401U overview

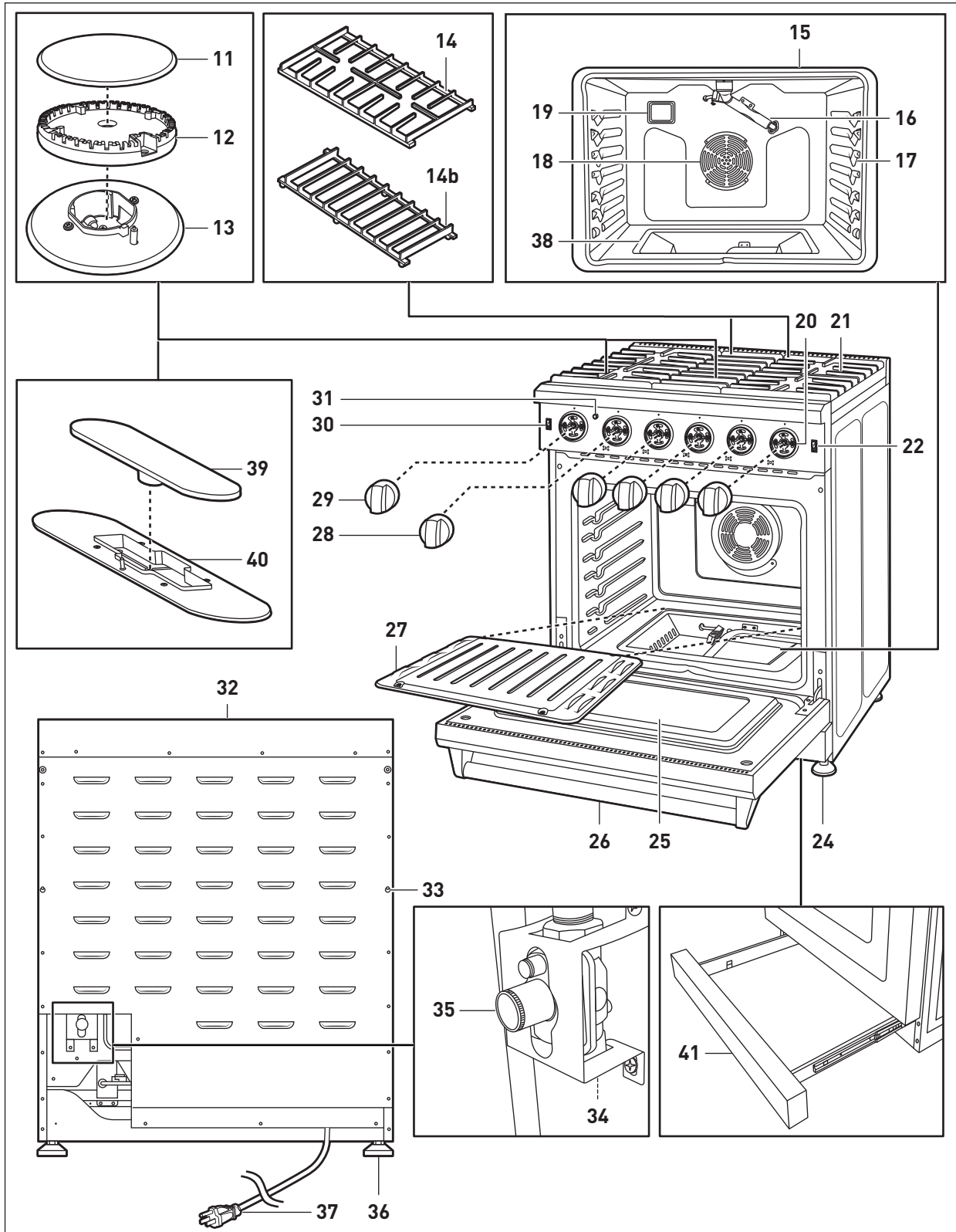


## DELIVERY

<b>11</b>	Burner cap x 4	<b>25</b>	Viewing window
<b>12</b>	Burner head x 4	<b>26</b>	Oven door
<b>13</b>	Burner base	<b>27</b>	Oven burner cover
<b>14a</b>	Cooking grate x 2	<b>28</b>	Burner knob x 4
<b>15</b>	Oven cavity	<b>29</b>	Oven knob
<b>16</b>	Broiler burner	<b>30</b>	Oven light switch
<b>17</b>	Rack positions	<b>31</b>	Oven on indicator
<b>18</b>	Convection fan	<b>32</b>	Vents
<b>19</b>	Oven light	<b>33</b>	Spacer holes
<b>20</b>	Knob shaft x 5	<b>34</b>	Gas inlet
<b>21</b>	Cooktop	<b>35</b>	Pressure regulator
<b>22</b>	Convection switch	<b>36</b>	Back foot x 2
<b>23</b>	Kickplate	<b>37</b>	Power cord with plug
<b>24</b>	Front foot x 2		

# DELIVERY

## LRG3001U overview

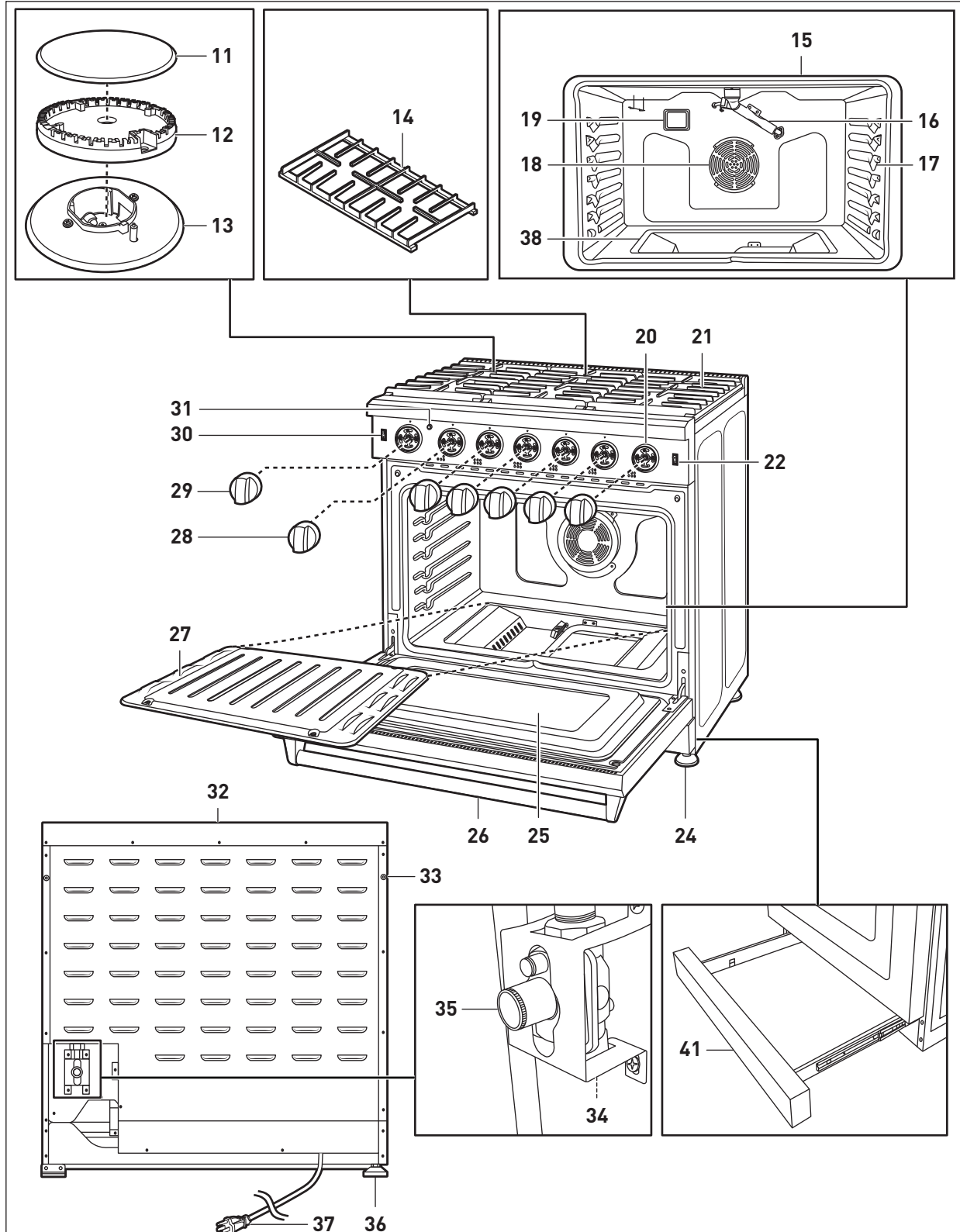


## DELIVERY

<b>11</b>	Burner cap x 4	<b>27</b>	Oven burner cover
<b>12</b>	Burner head x 4	<b>28</b>	Burner knob x 4
<b>13</b>	Burner base	<b>29</b>	Oven knob
<b>14</b>	Cooking grate x 2	<b>30</b>	Oven light switch
<b>14b</b>	Cooking grate (for oval burner)	<b>31</b>	Oven on indicator
<b>15</b>	Oven cavity	<b>32</b>	Vents
<b>16</b>	Broiler burner	<b>33</b>	Spacer holes
<b>17</b>	Rack positions	<b>34</b>	Gas inlet
<b>18</b>	Convection fan	<b>35</b>	Pressure regulator
<b>19</b>	Oven light	<b>36</b>	Back foot x 2
<b>20</b>	Knob shaft x 6	<b>37</b>	Power cord with plug
<b>21</b>	Cooktop	<b>38</b>	Oven burner
<b>22</b>	Convection switch	<b>39</b>	Oval burner cap
<b>24</b>	Front foot x 2	<b>40</b>	Oval burner base
<b>25</b>	Viewing window	<b>41</b>	Drawer
<b>26</b>	Oven door		

# DELIVERY

## LRG3601U overview

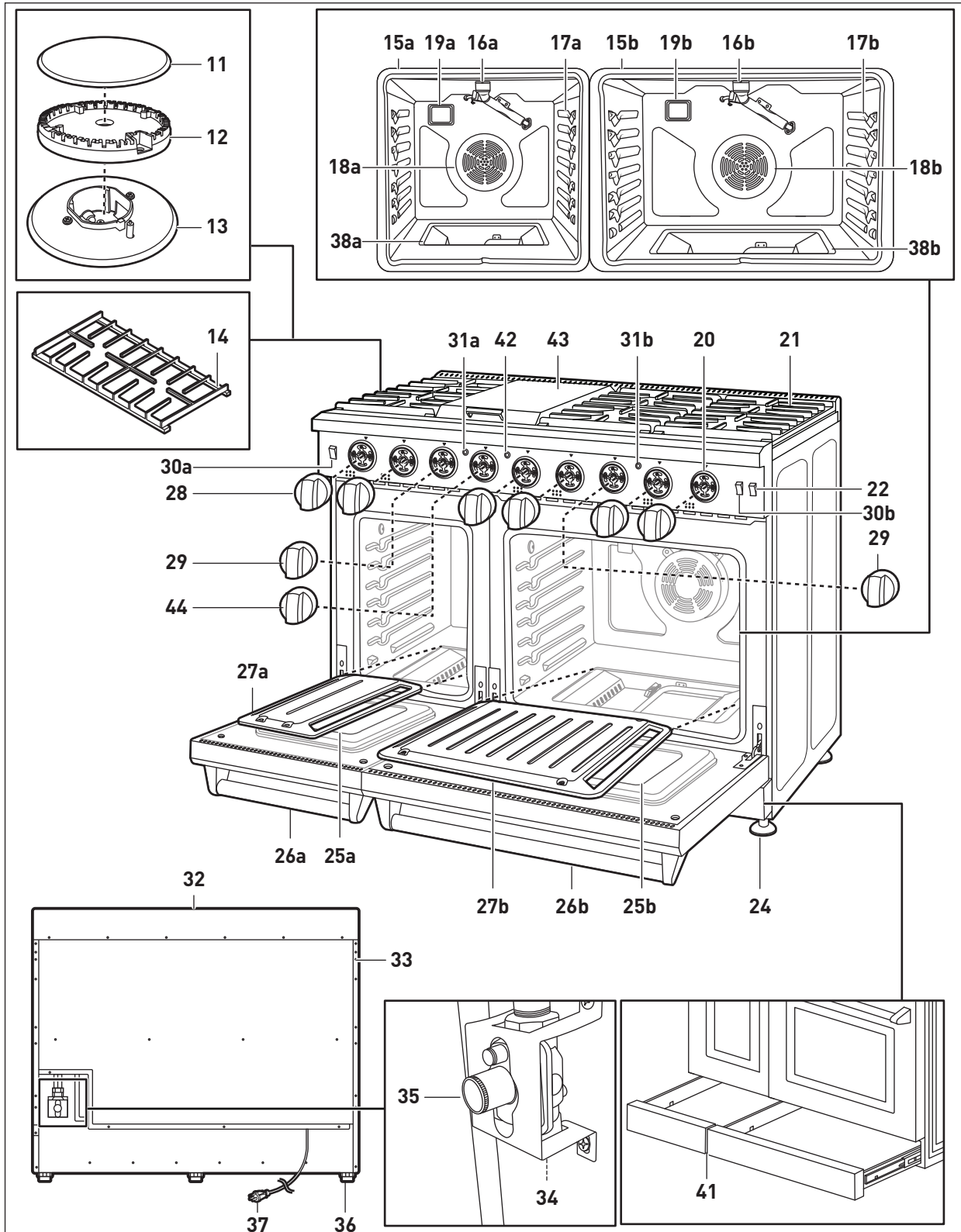


## DELIVERY

<b>11</b>	Burner cap x 6	<b>26</b>	Oven door
<b>12</b>	Burner head x 6	<b>27</b>	Oven burner cover
<b>13</b>	Burner base	<b>28</b>	Burner knob x 6
<b>14</b>	Cooking grate x 3	<b>29</b>	Oven knob
<b>15</b>	Oven cavity	<b>30</b>	Oven light switch
<b>16</b>	Broiler burner	<b>31</b>	Oven on indicator
<b>17</b>	Rack positions	<b>32</b>	Vents
<b>18</b>	Convection fan	<b>33</b>	Spacer holes
<b>19</b>	Oven light	<b>34</b>	Gas inlet
<b>20</b>	Knob shaft x 7	<b>35</b>	Pressure regulator
<b>21</b>	Cooktop	<b>36</b>	Back foot x 2
<b>22</b>	Convection switch	<b>37</b>	Power cord with plug
<b>24</b>	Front foot x 2	<b>38</b>	Oven burner
<b>25</b>	Viewing window	<b>41</b>	Drawer

# DELIVERY

## LRG4807U overview



## DELIVERY

<b>11</b>	Burner cap x 6	<b>26b</b>	Oven door (30" oven)
<b>12</b>	Burner head x 6	<b>27a</b>	Oven burner cover (18" oven)
<b>13</b>	Burner base	<b>27b</b>	Oven burner cover (30" oven)
<b>14</b>	Cooking grate x 3	<b>28</b>	Burner knob x 6
<b>15a</b>	Oven cavity (18" oven)	<b>29</b>	Oven knob x 2
<b>15b</b>	Oven cavity (30" oven)	<b>30a</b>	Oven light switch (18" oven)
<b>16a</b>	Broiler burner (18" oven)	<b>30b</b>	Oven light switch (30" oven)
<b>16b</b>	Broiler burner (30" oven)	<b>31a</b>	Oven on indicator (18" oven)
<b>17a</b>	Rack positions (18" oven)	<b>31b</b>	Oven on indicator (30" oven)
<b>17b</b>	Rack positions (30" oven)	<b>32</b>	Vents
<b>18a</b>	Convection fan (18" oven)	<b>33</b>	Spacer holes
<b>18b</b>	Convection fan (30" oven)	<b>34</b>	Gas inlet
<b>19a</b>	Oven light (18" oven)	<b>35</b>	Pressure regulator
<b>19b</b>	Oven light (30" oven)	<b>36</b>	Back foot x 3
<b>20</b>	Knob shaft x 9	<b>37</b>	Power cord with plug
<b>21</b>	Cooktop	<b>38a</b>	Oven burner (18" oven)
<b>22</b>	Convection switch	<b>38b</b>	Oven burner (30" oven)
<b>24</b>	Front foot x 3	<b>41</b>	Drawer x 2 (18" and 30")
<b>25a</b>	Viewing window (18" oven)	<b>42</b>	Griddle on indicator
<b>25b</b>	Viewing window (30" oven)	<b>43</b>	Griddle with cover
<b>26a</b>	Oven door (18" oven)	<b>44</b>	Griddle knob

# INSTALLATION

## 3.1 Important note to the installer

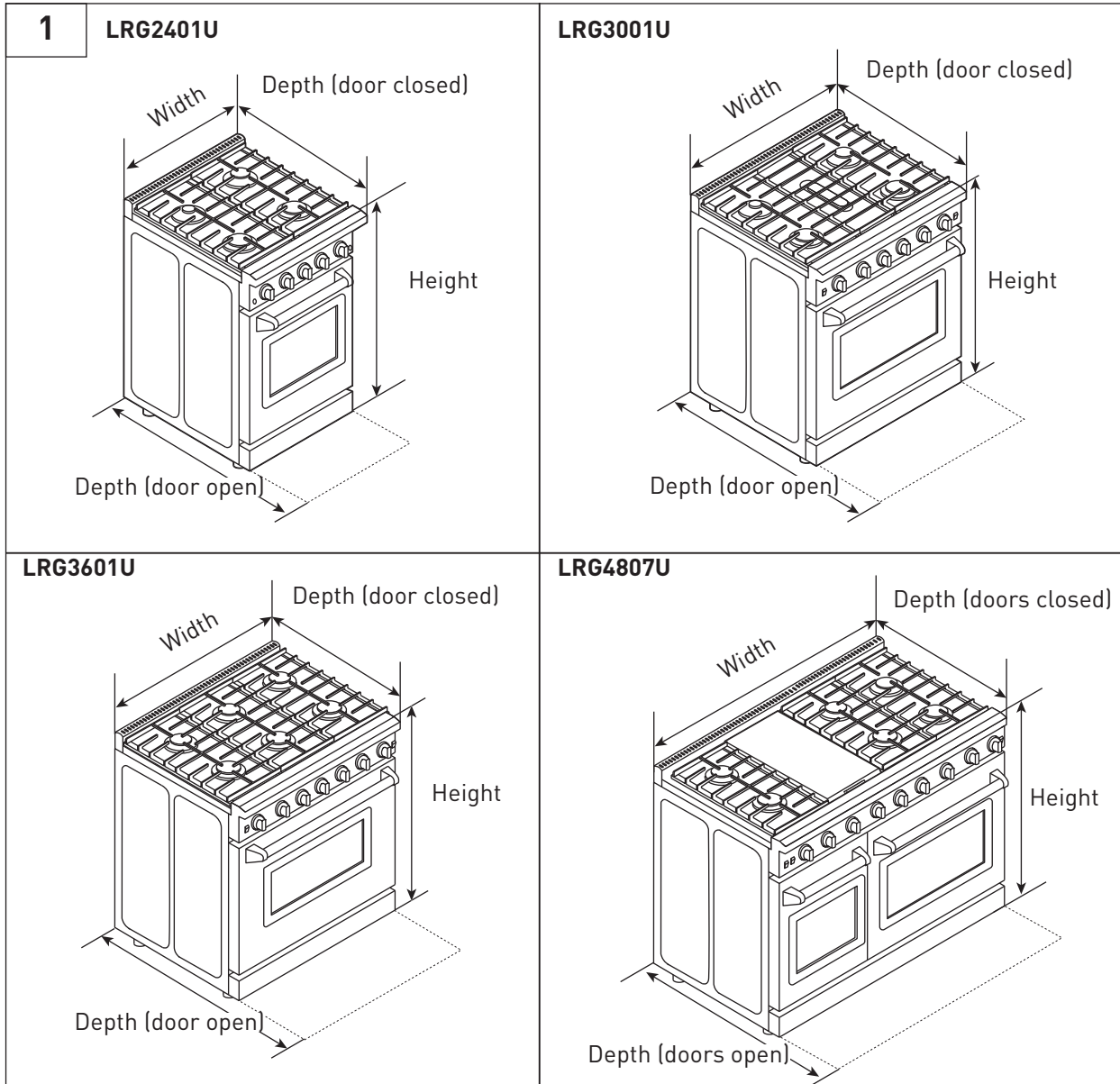
- Read all installation instructions included in this manual before installing the appliance.
- Remove all packing materials from the appliance (**see chapter 2.1 Unpack**) before connecting it to the gas supply.
- Adhere to all governing codes and ordinances during installation.
- Install the anti-tip device to the wall/floor (**see chapter 3.13 Install anti-tip device**). Verify the anti-tip device has been properly installed and engaged with the back of the appliance.
- Leave these instructions with the consumer to retain them for future reference.
- Important - Save for local electrical inspector's use.

## 3.2 Clearances and dimensions

- Provide proper clearance between the appliance and adjacent combustible surfaces. These dimensions must be met for safe use of the appliance.
- The location of the electrical outlet and gas pipe opening may be adjusted to meet specific requirements.
- Seal any openings in the wall behind the appliance and in the floor under the appliance.
- If there is a cabinet above the appliance, install a noncombustible material on the bottom of that cabinet in accordance with local codes or, in the absence of local codes, with ANSI Z223.1/NFPA 54 or, in Canada, CSA B149.1.
- With the spacers installed, the appliance may be placed with 0" (0 mm) clearance (flush) at the back wall.
- To eliminate the risk of burns or fire by reaching over heated surface units, cabinet storage space located above the surface units should be avoided. If cabinet storage is to be provided, the risk can be reduced by installing a appliance hood that projects horizontally a minimum of 5" (12.7 mm) beyond the bottom of the cabinets.

# INSTALLATION

## Dimensions



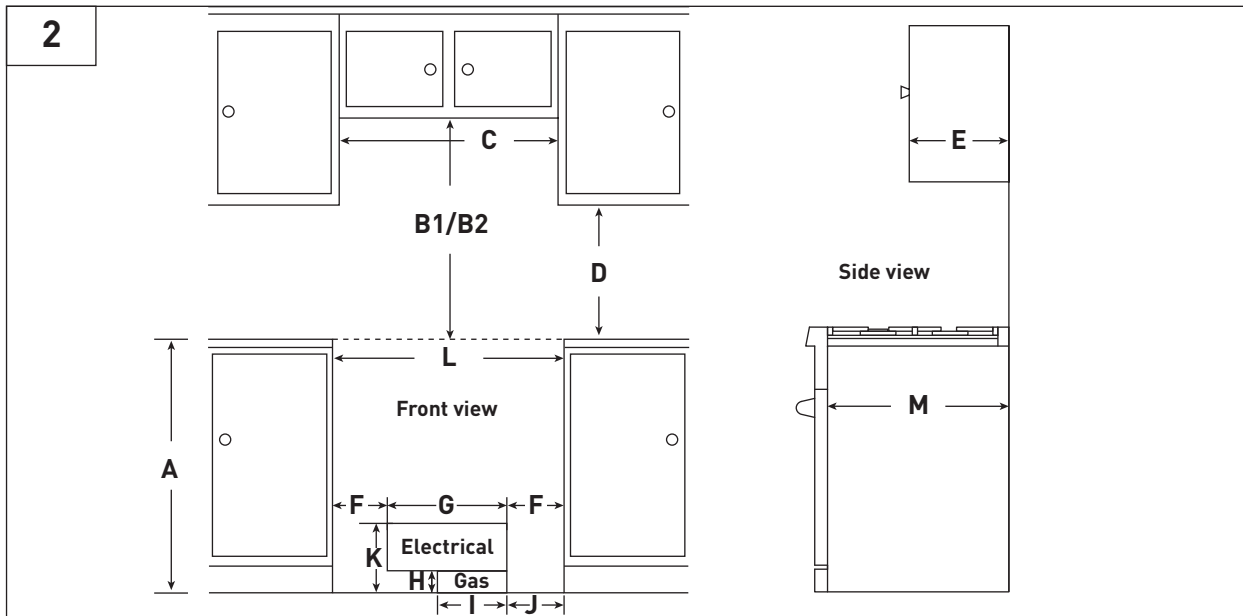
	<b>LRG2401U</b>	<b>LRG3001U</b>	<b>LRG3601U</b>	<b>LRG4807U</b>
<b>Width</b>	23 7/8" (60.7 cm)	30" (76.2 cm)	36" (91.44 cm)	47 7/8" (121.6 cm)
<b>Depth (door(s) closed)</b>	26 4/5" (68 cm)	27 1/8" (68.9 cm)	27 1/8" (68.9 cm)	27 1/4" (69.1 cm)
<b>Depth (door(s) open)</b>	48" (121.9 cm)	48 1/8" (122.3 cm)	48 1/8" (122.3 cm)	48 1/8" (122.3 cm)
<b>Height</b>	36 3/4" (93 cm)	36 1/4" (91.8 cm)	36 1/4" (91.8 cm)	36 1/4" (91.8 cm)

\*Height is adjustable (+1" / +2.5 cm)

# INSTALLATION

## Clearances

### Clearances for cooktops (21) with a cabinet on top

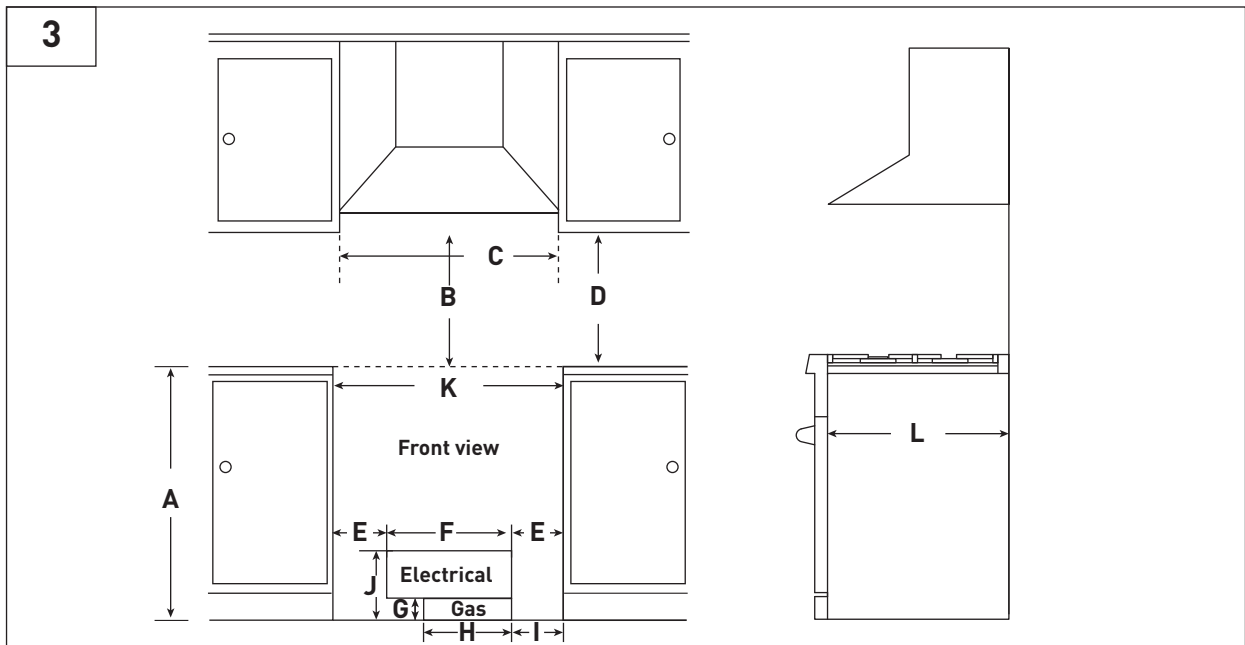


	LRG2401U	LRG3001U	LRG3601U	LRG4807U
A	36" (91.4 cm)			
B1	min 30" (76.2 cm)			
B2	min 24" (60.9 cm)			
C	24" (61 cm)	30" (76.2 cm)	36" (91.44 cm)	48" (121.92 cm)
D	18" (45.7 cm)			
E	13" (33 cm)			
F	5" (12.7 cm)			
G	14" (35.5 cm)	20" (50.8 cm)	26" (66 cm)	30" (76.2 cm)
H	2" (5.1 cm)			
I	9" (22.9 cm)			
J	5" (12.7 cm)			
K	max 6" (15.24 cm)			
L	24" (61 cm)	30" (76.2 cm)	36" (91.44 cm)	48 1/8" (122.23 cm)
M	24 3/4" (62.8 cm)			

# INSTALLATION

Legend	
<b>A</b>	Countertop height
<b>B1</b>	Minimum clearance above cooktop (21) for unprotected cabinet bottom
<b>B2</b>	Minimum clearance above cooktop (21) for protected cabinet bottom: Cabinet bottom has to be protected with no less than 1/4" (6.4 mm) thick flame retardant millboard covered with no less than No. 28 MSG sheet metal, 3/200" (0.4 mm) thick stainless steel, 3/125" (0.6 mm) thick aluminum or 1/50" (0.5 mm) thick copper.
<b>C</b>	Width of cabinet above cooktop (21)
<b>D</b>	Clearance between cabinets and countertops
<b>E</b>	Cabinet depth
<b>F</b>	Clearance of the electrical component area from the side of the cabinet
<b>G</b>	Width of the electrical component area
<b>H</b>	Height of the gas connection area
<b>I</b>	Width of the gas connection area
<b>J</b>	Clearance of the gas connection area from the side of the cabinet
<b>K</b>	Recommended height of the electrical component area
<b>L</b>	Width of countertop cutout
<b>M</b>	Depth of countertop cutout

## Clearances for cooktops (21) with a hood on top



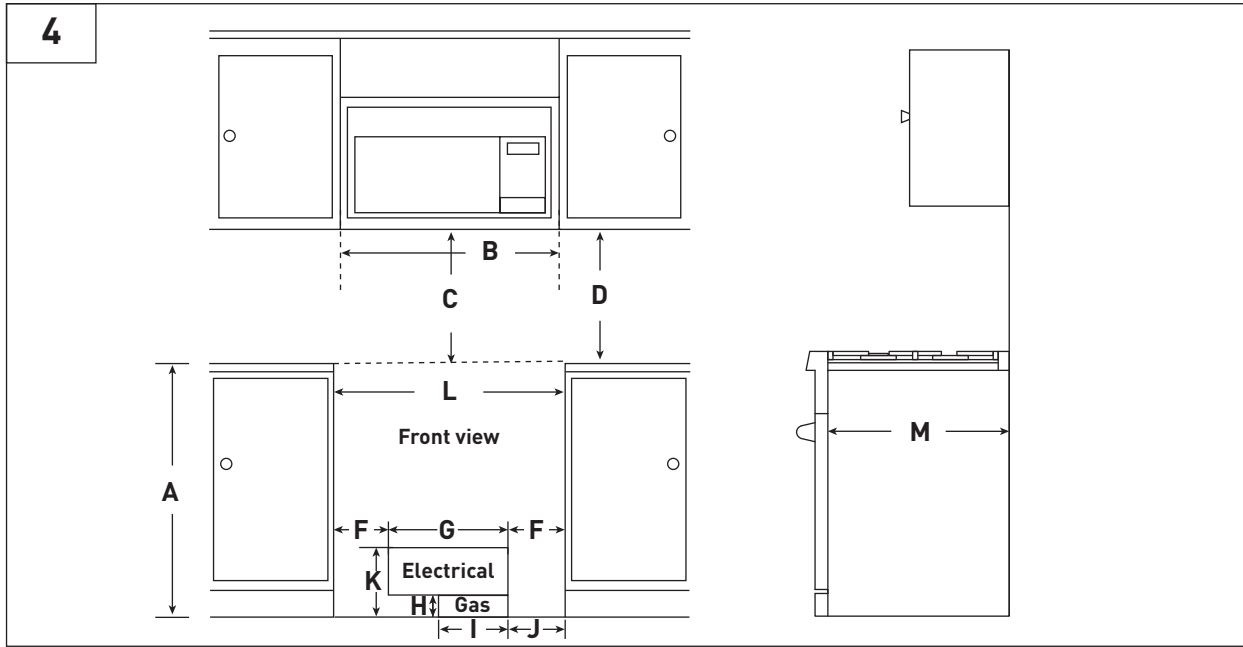
# INSTALLATION

	LRG2401U	LRG3001U	LRG3601U	LRG4807U
<b>A</b>	36" (91.4 cm)			
<b>B</b>	min 30" (76.2 cm)			
<b>C</b>	24" (61 cm)	30" (76.2 cm)	36" (91.44 cm)	48" (121.92 cm)
<b>D</b>	18" (45.7 cm)			
<b>E</b>	5" (12.7 cm)			
<b>F</b>	12" (30.5 cm)	12" (30.5 cm)	12" (30.5 cm)	12" (30.5 cm)
<b>G</b>	2" (5.1 cm)			
<b>H</b>	9" (22.9 cm)			
<b>I</b>	5" (12.7 cm)			
<b>J</b>	max 6" (15.24 cm)			
<b>K</b>	24" (61 cm)	30" (76.2 cm)	36" (91.44 cm)	48" (121.92 cm)
<b>L</b>	24 3/4" (62.8 cm)			

<b>Legend</b>	
<b>A</b>	Countertop height
<b>B</b>	Minimum clearance above cooktop (21)
<b>C</b>	Width of hood above cooktop (21) <b>Note:</b> The stated width is for installation reference only. Actual hood dimensions may vary to accommodate site-specific installation requirements.
<b>D</b>	Clearance between cabinets and countertops
<b>E</b>	Clearance of the electrical component area from the side of the cabinet
<b>F</b>	Width of the electrical component area
<b>G</b>	Height of the gas connection area
<b>H</b>	Width of the gas connection area
<b>I</b>	Clearance of the gas connection area from the side of the cabinet
<b>J</b>	Recommended height of the electrical component area
<b>K</b>	Width of countertop cutout
<b>L</b>	Depth of countertop cutout

# INSTALLATION

## Clearances for cooktops (21) with an over-the-range microwave



	LRG3001U
<b>A</b>	36" (91.4 cm)
<b>B</b>	30" (76.2 cm) *Over-the-range microwave width varies by model
<b>C</b>	30" (76.2 cm)
<b>D</b>	18" (45.7 cm)
<b>F</b>	5" (12.7 cm)
<b>G</b>	20" (50.8 cm)
<b>H</b>	2" (5.1 cm)
<b>I</b>	9" (22.9 cm)
<b>J</b>	5" (12.7 cm)
<b>K</b>	max 6" (15.24 cm)
<b>L</b>	30" (76.2 cm)
<b>M</b>	24" (60.96 cm)

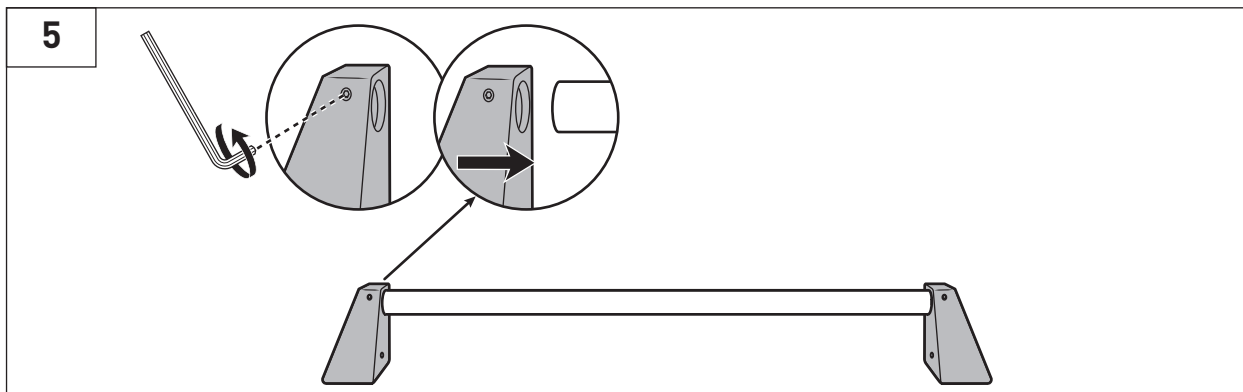
# INSTALLATION

Legend	
<b>A</b>	Countertop height
<b>B</b>	Width of over-the-range microwave
<b>C</b>	Minimum clearance above cooktop [21]
<b>D</b>	Clearance between cabinets and countertops
<b>F</b>	Clearance of the electrical component area from the side of the cabinet
<b>G</b>	Width of the electrical component area
<b>H</b>	Height of the gas connection area
<b>I</b>	Width of the gas connection area
<b>J</b>	Clearance of the gas connection area from the side of the cabinet
<b>K</b>	Recommended height of the electrical component area
<b>L</b>	Width of countertop cutout
<b>M</b>	Depth of countertop cutout

## 3.3 Install the handle

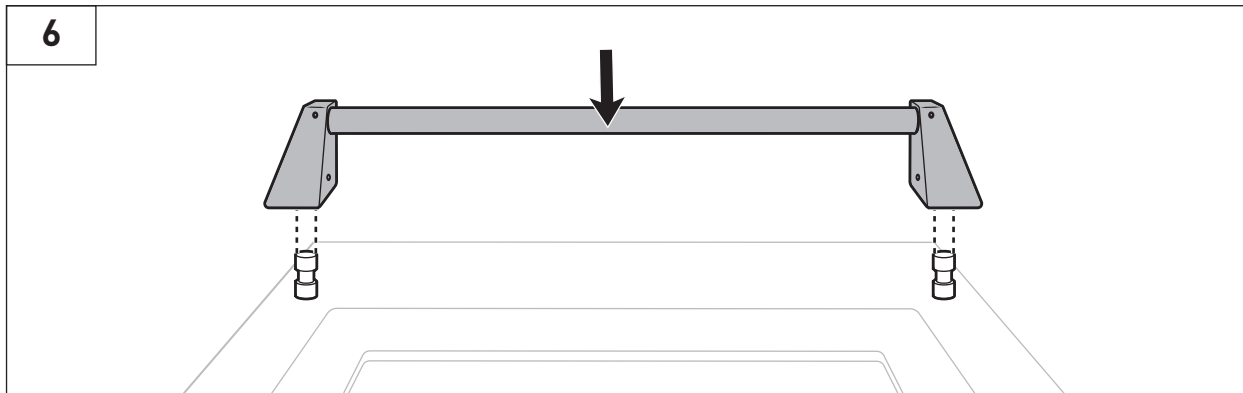
**NOTICE** The oven door (26) and the drawers (41) have multiple colors available (sold separately). Visit Thor kitchen website for further details.

1. Attach door side brackets (2) to both ends of the door handle (1) (Fig. 5).

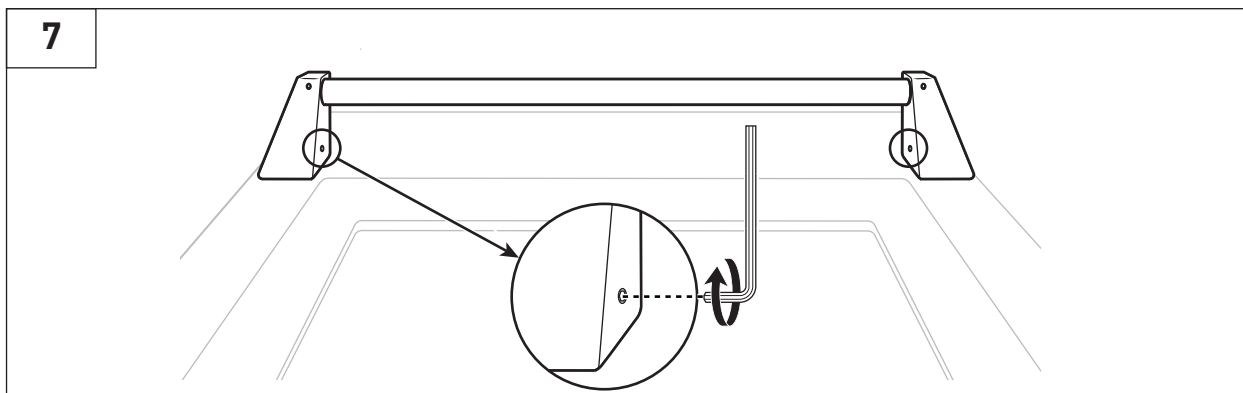


# INSTALLATION

2. Place the assembled door handle (1) onto the door pins on the oven door (26) (Fig. 6).



3. Tighten the pre-installed screws inside the door side brackets (2) with the hex key (3) (Fig. 7). Do not overtighten the screws.



## 3.4 Attach/detach the oven door

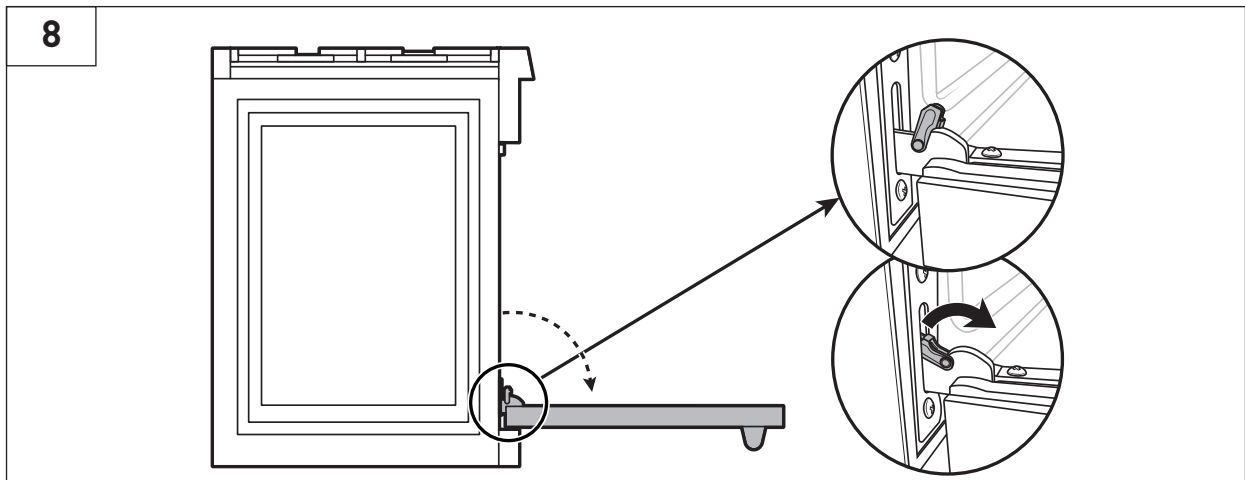
**NOTICE** The oven door (26) and the drawers (41) have multiple colors available (sold separately). Visit Thor kitchen website for further details.

- The oven door (26) may be too big or heavy. It is recommended to have 2 people work together for attaching/detaching the oven door.
- Do not carry or hold the removed oven door (26) by the door handle. It cannot support the weight of the oven door (26).

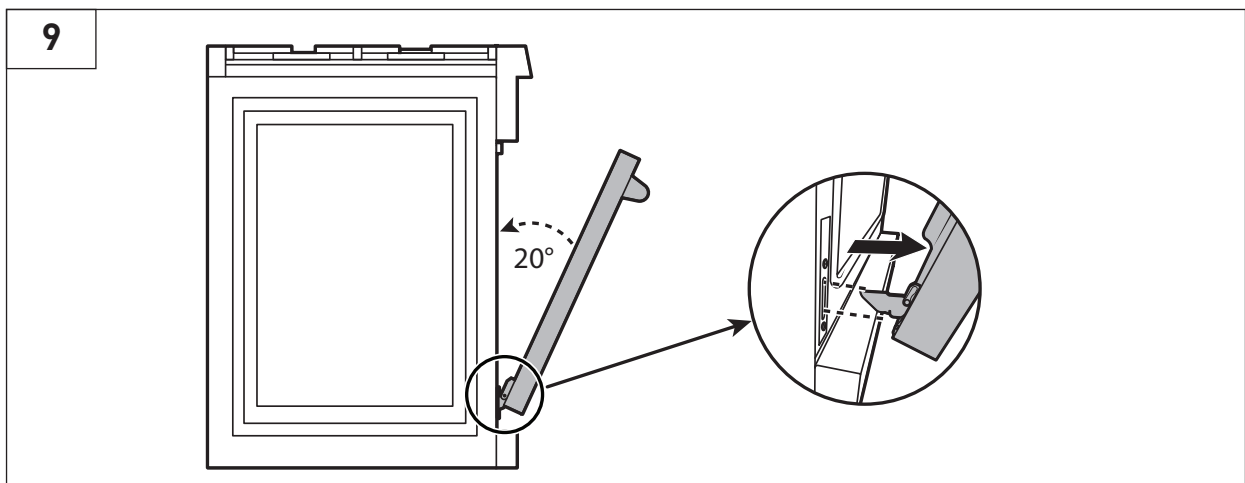
# INSTALLATION

## Detach

1. Fully open the oven door [26].
2. Unlock the hinge lock on both sides by rotating them fully towards the oven door [26] (Fig. 8).



3. Firmly grasp both sides on the oven door [26].
4. Close the oven door [26] until it is approximately at a 20° angle (Fig. 9). When the oven door [26] is at the correct angle position, the hinges arms release from the appliance.

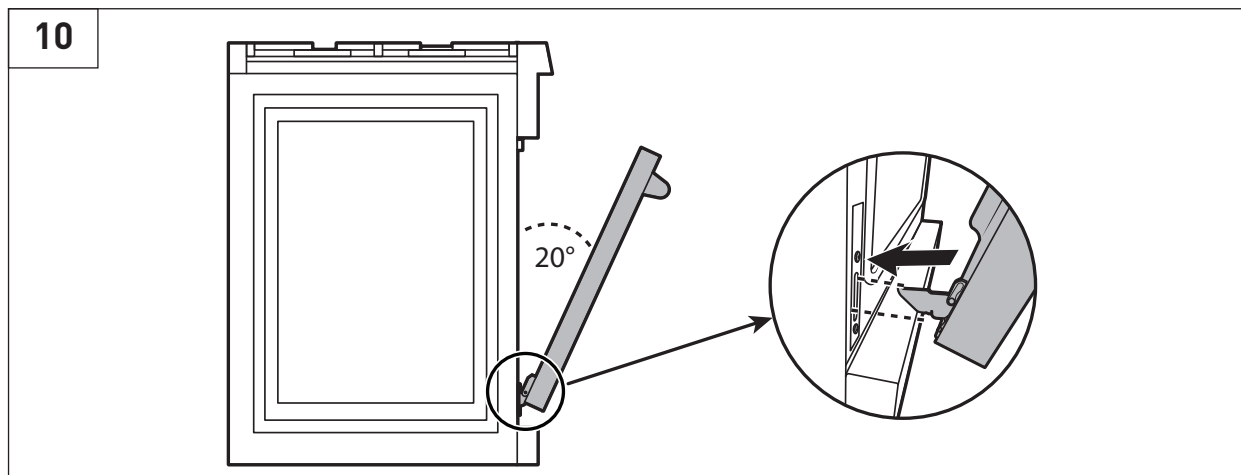


5. Take out the oven door [26] by lifting it upwards and outwards.

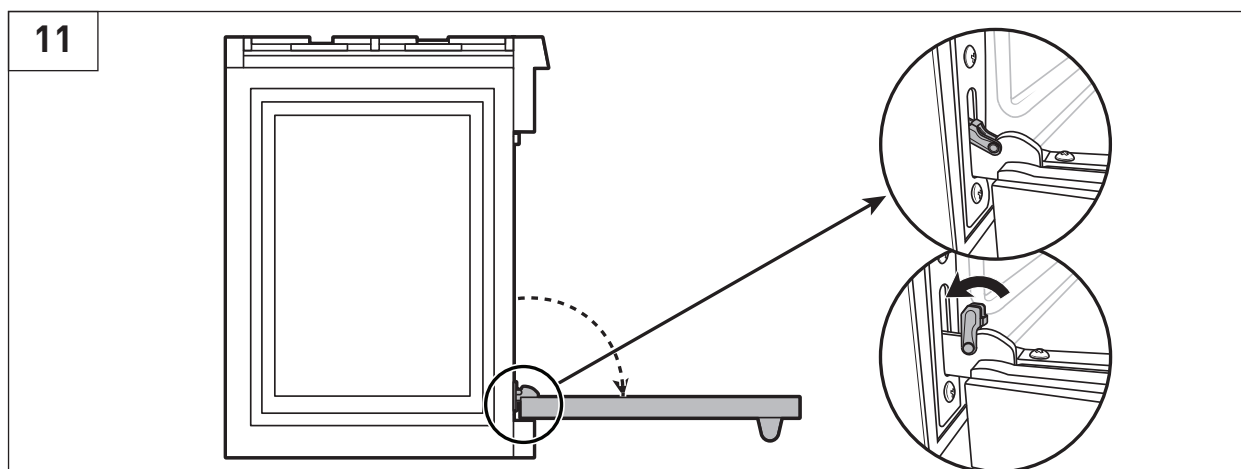
# INSTALLATION

## Attach

1. Firmly grasp both sides on the oven door [26].
2. With the door at the same 20° angle as the detach position, slide the hinge arms into the bottom edge of the hinge slots on the appliance (Fig. 10).



3. The notch in the hinge arms must be fully inserted into the bottom edge of the slots.
4. Open the door fully. If the door does not open fully, the hinge arms are not inserted correctly in the bottom edge of the hinge slots.
5. Re-engage the hinge locks, rotating them back toward the slots in the oven (Fig. 11).



6. Close the oven door [26].

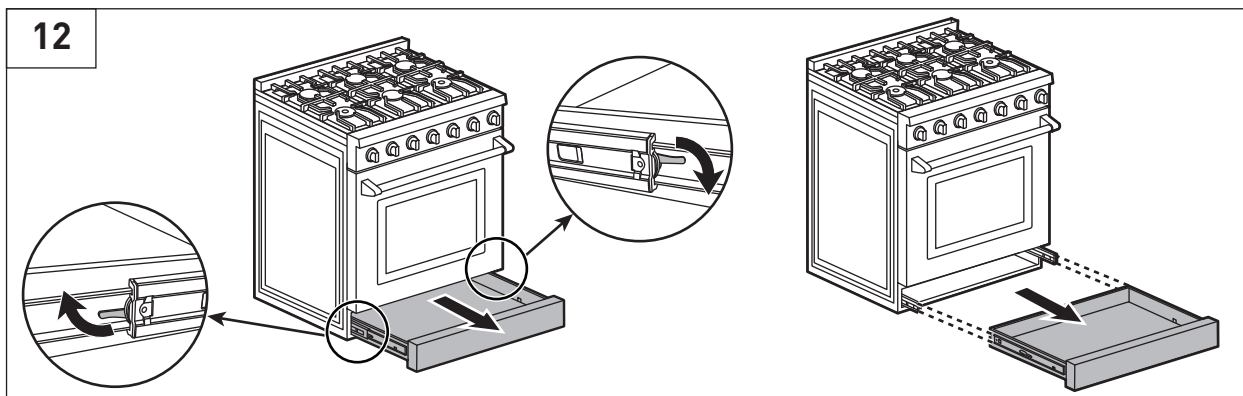
# INSTALLATION

## 3.5 Attach/detach the drawer(s) (LRG3001U, LRG3601U and LRG4807U only)

**NOTICE** The oven door (26) and the drawers (41) have multiple colors available (sold separately). Visit Thor kitchen website for further details.

### Detach

1. Fully open the drawer (41).
2. Locate the glide lever on each side of the drawer (41). Push down on the left glide lever and pull up on the right glide lever (Fig. 12).



3. Pull the drawer (41) away from the appliance.

### Attach

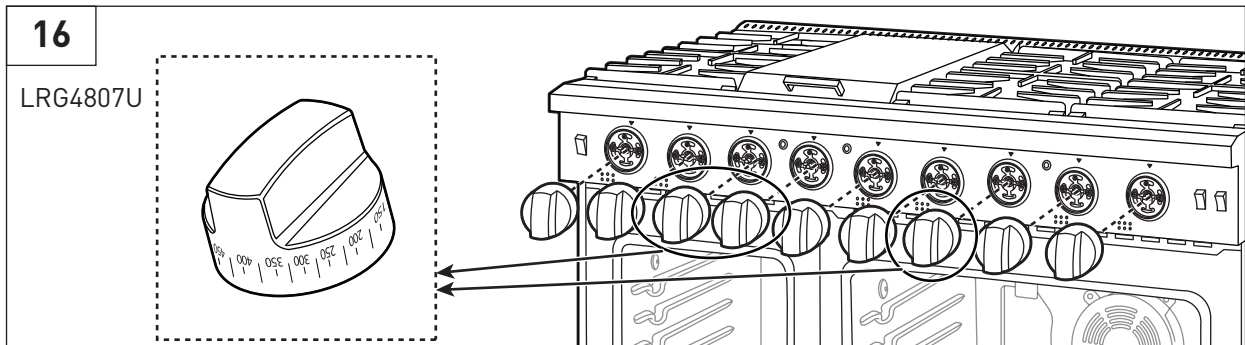
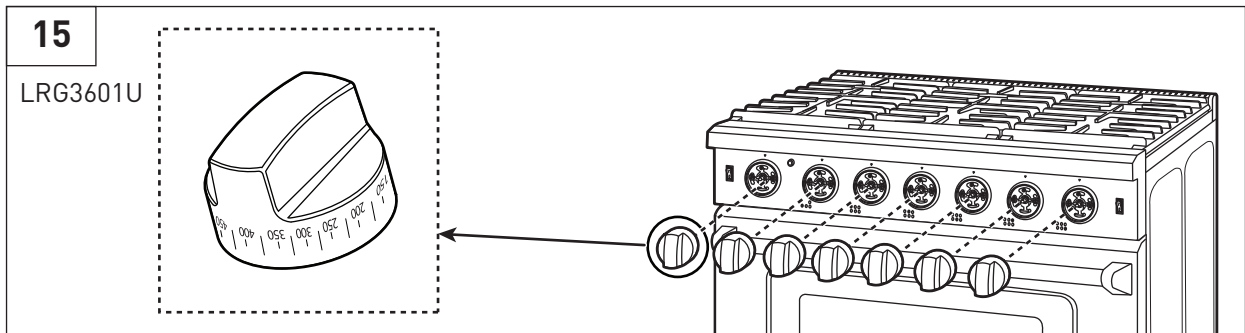
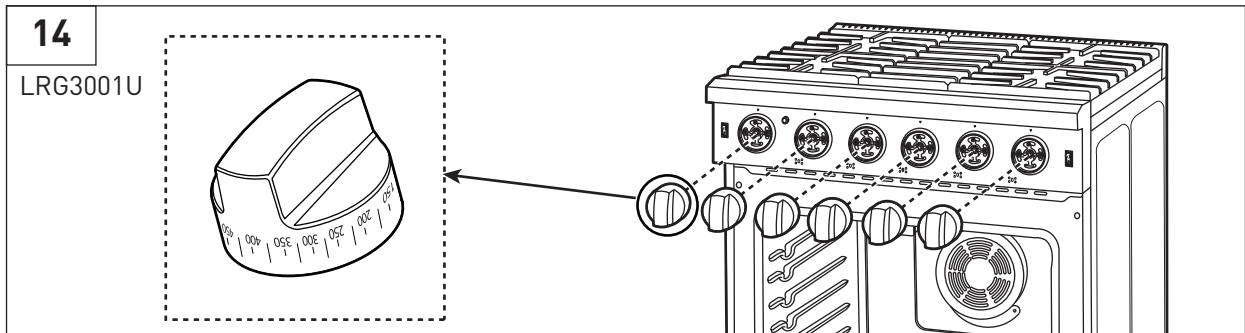
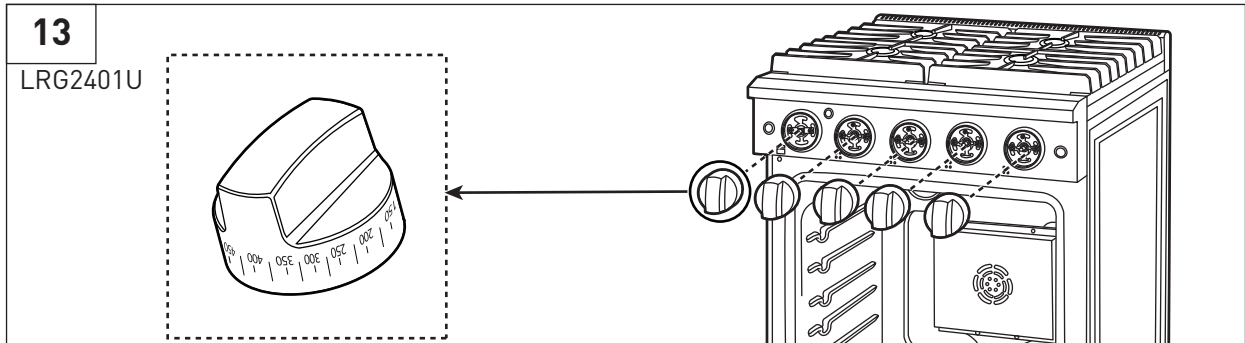
1. Align the glide on each side of the drawer (41) with the glide slots of the rail glides.
2. Push the drawer (41) into the appliance until the levers click.
3. Close the drawer (41).

# INSTALLATION

## 3.6 Install the burner knobs

There are markings located on the front of the appliance to show which knob shaft (20) corresponds to which burner base (13/40)/oven cavity (15)/griddle (43).

1. Match the knobs (28/29/44) into its corresponding knob shafts (20) (Fig. 13/14/15/16).



# INSTALLATION

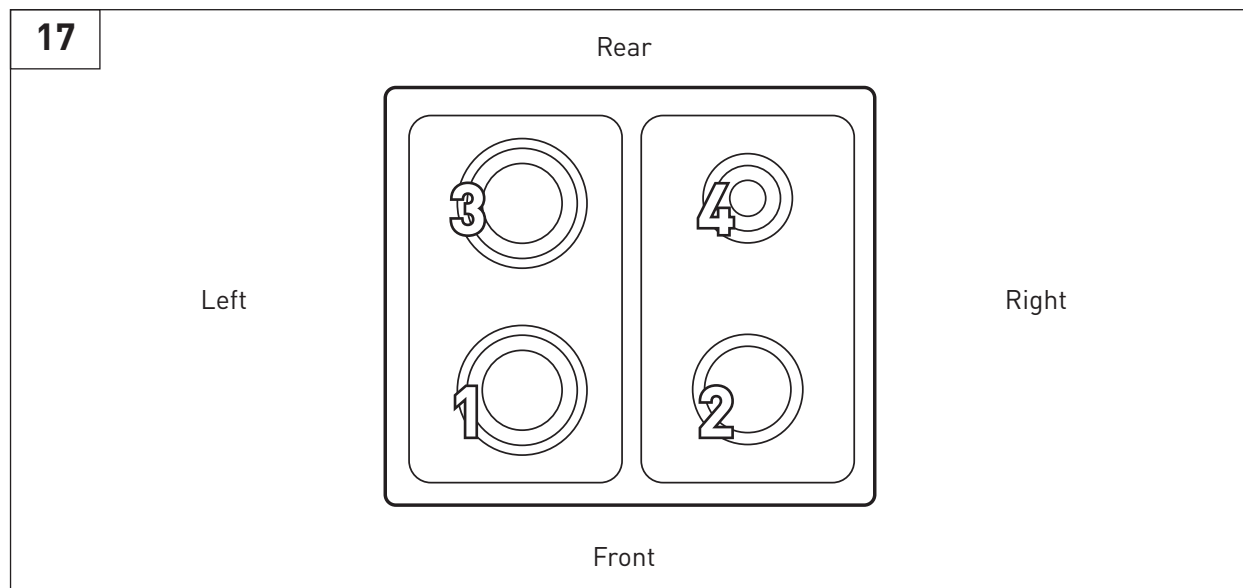
- Push the knobs (28/29/44) in fully. Make sure there is no friction between the knobs (28/29/44) and the bezel around them.

## 3.7 NG to LP gas conversion

The appliance is configured for use with NG gas as default. To convert the NG gas configuration to LP gas configuration, contact the local gas company for a certified gas technician to complete the conversion. The LP conversion number for LRG models are:

- LRG2401U: LPKLRG2401U
- LRG3001U: LPKLRG3001U
- LRG3601U: LPKLRG3601U
- LRG4807U: LPKLRG4807U

**For LRG2401U:**

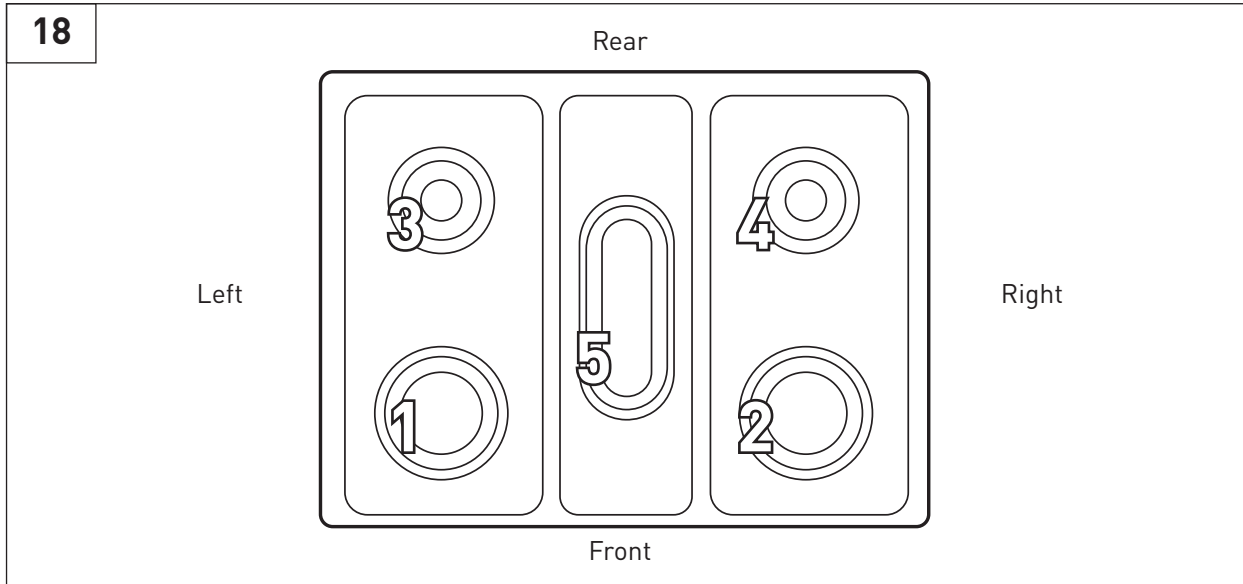


NG configuration			
	Burner location	BTU	Orifice size (mm)
1	Front left	18000	1.88
2	Front right	12000	1.50
3	Rear left	9000	1.28
4	Rear right	3500	0.82
-	Broiler	10000	1.35
-	Oven	12000	1.50

LP configuration			
	Burner location	BTU	Orifice size (mm)
1	Front left	16000	1.17
2	Front right	10000	0.92
3	Left rear	7000	0.80
4	Right rear	3500	0.54
-	Broiler	10000	0.90
-	Oven	12000	1.00

# INSTALLATION

For LRG3001U:

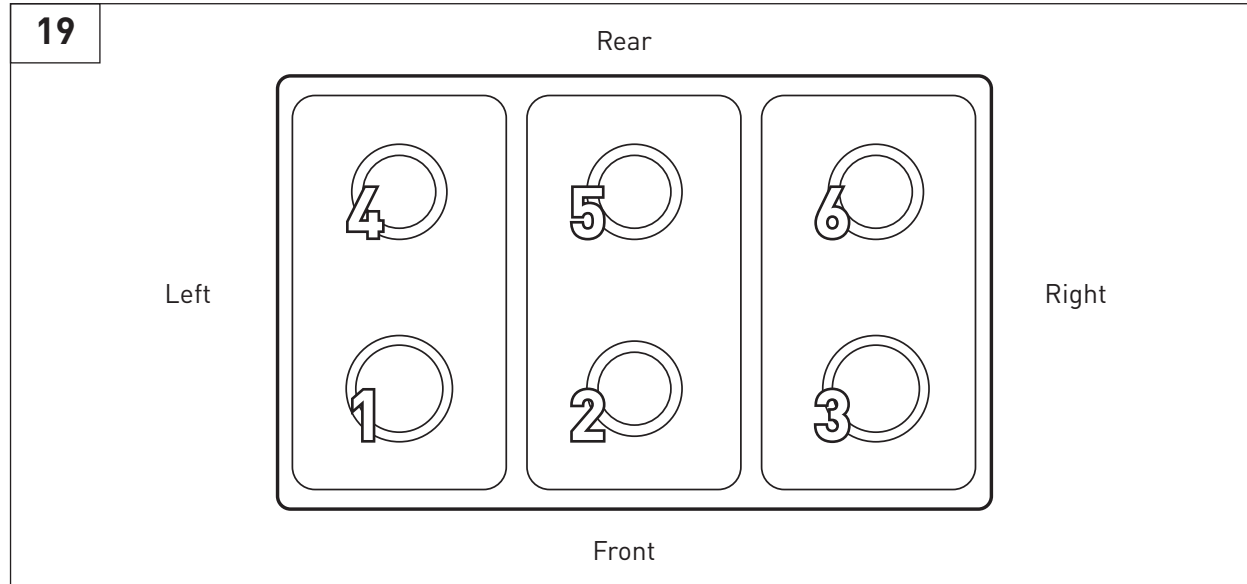


NG configuration			
Burner location		BTU	Orifice size (mm)
1	Front left	18000	1.86
2	Front right	8000	1.26
3	Rear left	4000	0.88
4	Rear right	6000	1.08
5	Middle	9000	1.33
-	Broiler	10000	1.36
-	Oven	18500	1.90

LP configuration			
Burner location		BTU	Orifice size (mm)
1	Front left	18000	1.22
2	Front right	8000	0.84
3	Rear left	4000	0.62
4	Rear right	6000	0.72
5	Middle	9000	0.90
-	Broiler	10000	0.90
-	Oven	18500	1.24

# INSTALLATION

For LRG3601U:

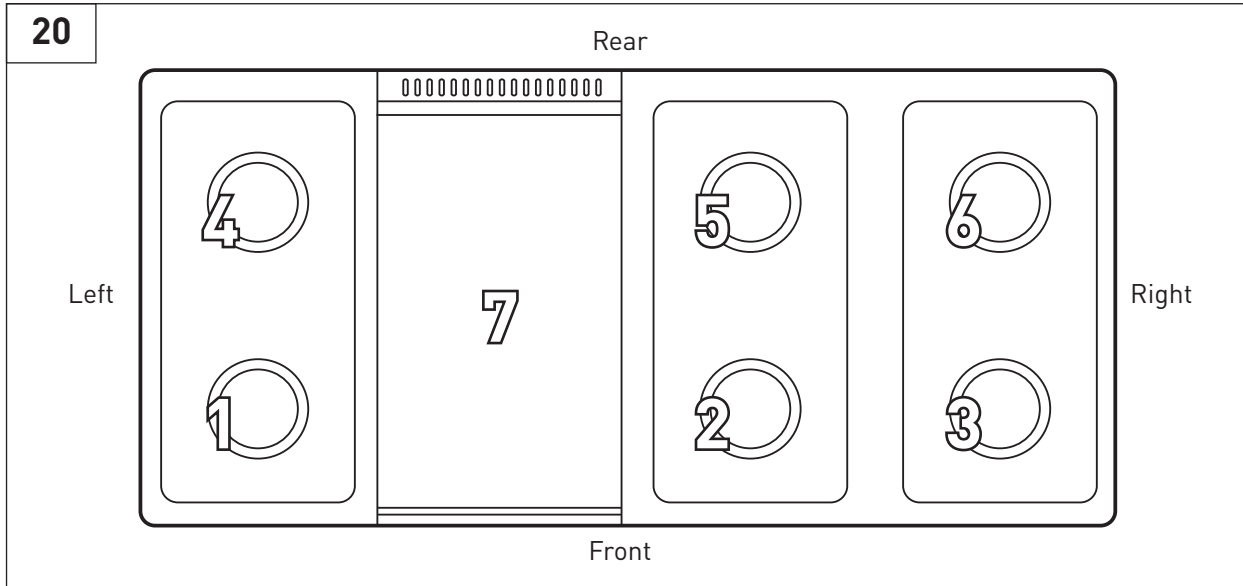


NG configuration			
Burner location		BTU	Orifice size (mm)
1	Front left	18000	1.85
2	Front middle	12000	1.50
3	Front right	18000	1.85
4	Rear left	9000	1.35
5	Rear middle	12000	1.50
6	Rear right	9000	1.35
-	Broiler	10000	1.36
-	Oven	185000	1.90

LP configuration			
Burner location		BTU	Orifice size (mm)
1	Front left	18000	1.24
2	Front middle	12000	1.00
3	Front right	18000	1.24
4	Rear left	9000	0.88
5	Rear middle	12000	1.00
6	Rear right	9000	0.88
-	Broiler	10000	0.90
-	Oven	18500	1.24

# INSTALLATION

For LRG4807U:



NG configuration			
	Burner location	BTU	Orifice size (mm)
1	Front left	12000	1.50
2	Front middle	18000	1.85
3	Front right	12000	1.50
4	Rear left	12000	1.50
5	Rear middle	12000	1.50
6	Rear right	12000	1.50
7	Griddle	15000	1.70
-	Broiler	10000	1.36
-	18" Oven	14000	1.58
-	30" Oven	22000	2.11

LP configuration			
	Burner location	BTU	Orifice size (mm)
1	Front left	12000	1.00
2	Front middle	18000	1.24
3	Front right	12000	1.00
4	Rear left	12000	1.00
5	Rear middle	12000	1.00
6	Rear right	12000	1.00
7	Griddle	15000	1.16
-	Broiler	10000	0.90
-	18" Oven	14000	1.12
-	30" Oven	22000	1.33

# INSTALLATION

## 3.8 Connect to a gas supply

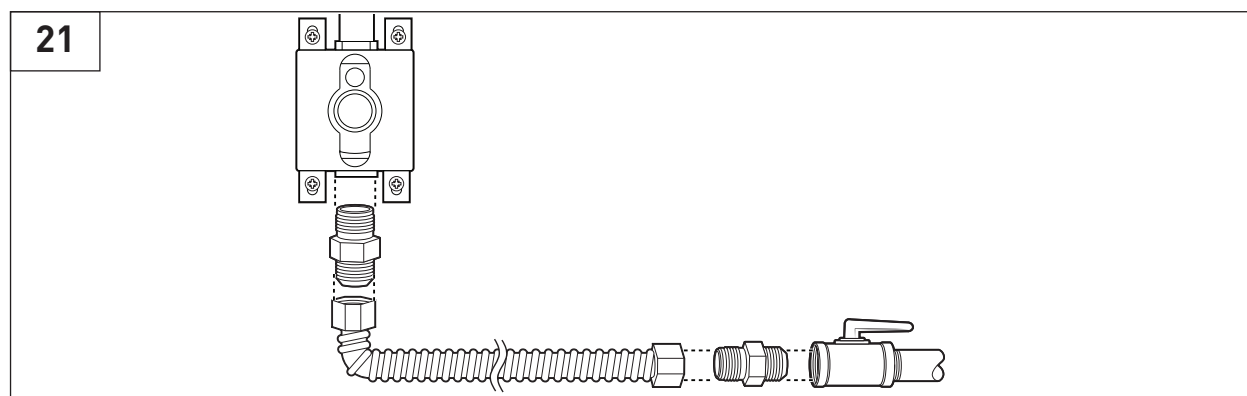
- A manual valve has to be installed in an accessible location in the gas piping external to the appliance for the purpose of turning on or shutting off the gas supply to the appliance.
- During any pressure testing of the gas supply piping system at a test pressure equal to or less than 1/2 psi (3.5 kPa), isolate the appliance from the building's gas supply piping system by closing its individual manual shut-off valve.

### Equipment required

- Cross-head screwdriver
- Flat-head screwdriver
- Pencil
- Measuring tape
- Adjustable wrench
- Pipe wrench x 2
- Spirit level
- Gas line shut-off valve
- Flexible metal appliance connector (1/2" (1.2 mm) NPT x 1/2" (1.2 mm) I.D.) Never use an old connector when installing a new appliance.
- Flare union adapter for connection to gas supply line (1/2" (1.2 mm) NPT x 1/2" (1.2 mm) I.D.)
- Flare union adapter for connection to pressure regulator on appliance (1/2" (1.2 mm) NPT x 1/2" (1.2 mm) I.D.)
- Liquid leak detector or soapy water

### Connect to gas supply

1. Choose a location outside the appliance that is easily accessible for installing the shut-off valve.
2. Install the shut-off valve to the gas piping external to the appliance.
3. Connect the male pipe thread end of the 1/2" (1.2 mm) flare union adapter to the 1/2" (1.2 mm) NPT internal thread at the inlet of the pressure regulator (35) (Fig. 21). Use a wrench to tighten the fittings to avoid damage.



4. Install a male 1/2" (1.2 mm) flare union adapter to the NPT internal thread of the manual shut-off valve (Fig. 21). Securely fasten the shut-off valve to prevent it from turning.
5. Check the gas supply pressure required for the regulator setting:

	LP (Liquid Propane) in wc	NG (Natural gas) in wc
Appliance pressure regulator setting for outlet pressure	10.0	5.0

# INSTALLATION

6. Connect the flexible metal appliance connector to the gas inlet (34) on the appliance and to the shut-off valve, positioning the appliance to allow for connection (Fig. 21).
7. After making all necessary connections, conduct a leak test of the appliance according to the manufacturer's instructions (see the following chapter).

## Gas leak test

- Leak testing of the appliance shall be conducted in accordance with these instructions.
1. Ensure that all appliance knobs (28/29/44) are in the off position, and then turn on the main gas supply valve.
  2. Use a solution of 50 % water and 50 % soap or a liquid leak detector to check all gas connection joints and fittings for leaks in the system. Gas leaks may not be detected by smell alone. Never use an open flame to check for gas leaks.
  3. Wipe off the solution or liquid leak detector after the test.

## 3.9 Connect to power

- This appliance must be supplied with the proper voltage and frequency, and connected to an individual properly grounded branch circuit, protected by a circuit breaker or fuse having amperage as specified on the rating label. The rating label is located on the right of the oven door (26).
- The outlet for the appliance should be located within the range of the appliance's power cord. Do not use an extension cord with this appliance.
- If the electrical service provided does not meet the above specifications, have a licensed electrician install an approved outlet.
- It is recommended to have the electrical wiring and hookup of the appliance connected by a qualified electrician. After installation, have the electrician explain where and how to locate and disconnect the appliance from power.

## **⚠ WARNING**

### Electrical Grounding Instructions

This appliance is equipped with a three-prong grounding plug for your protection against shock hazard and should be plugged directly into a properly grounded outlet. Do not cut or remove the grounding prong from this plug.

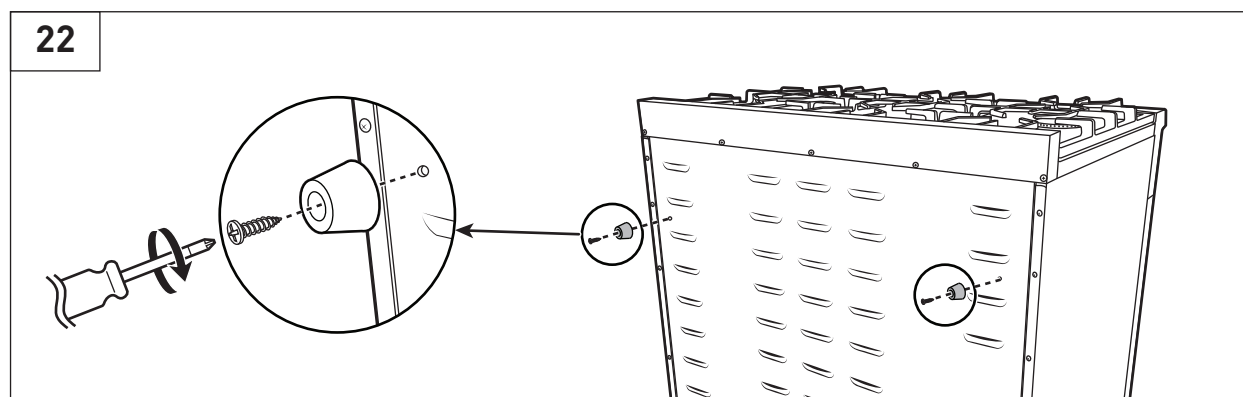
### Connect the plug

1. Check that all knobs (28/29/44) are at the OFF position.
2. Connect the plug (37) to a suitable outlet.

# INSTALLATION

## 3.10 Install the back spacers

1. Locate the 2 spacer holes (33) at the back of the appliance (Fig. 22).
2. Attach the spacers (6) with the spacer screws (7) (Fig. 22).



## 3.11 Move and level the appliance

- It is recommended to use a furniture dolly when moving the appliance to prevent damaging the floor.
  - If the appliance is too heavy, it is possible to remove the oven door (26) and the drawer (41) before moving the appliance.
1. Adjust the height of the appliance to fit the countertops following the clearances information provided in **chapter 3.2 Clearances and dimensions**.
  2. Rotate the feet (24/36) clockwise to increase the height of the feet (24/36).
  3. Rotate the feet (24/36) counter-clockwise to decrease the length of the feet (24/36).
  4. Use a spirit level to check for adjustments. Place the spirit level on the oven rack (8) for more accuracy.

## 3.12 Install anti-tip device

### **⚠ WARNING Risk of injury!**

- A child or adult can tip the appliance and be killed.
- Install the anti-tip device to the wall/floor. Verify the anti-tip device has been properly installed and engaged with the back of the appliance.
- Engage the appliance to the anti-tip device (4) by pushing the appliance all the way into the installation location. Ensure the anti-tip device (4) is re-engaged when the appliance is moved.
- Re-engage the anti-tip device (4) if the appliance is moved. Do not operate the appliance without the anti-tip device (4) in place and engaged.
- See installation instructions for details.
- Failure to do so can result in death or serious burns to children or adults.
- Even after the anti-tip device (4) is installed, do not step, lean or sit on the oven door (26) or place any heavy objects on it.

# INSTALLATION

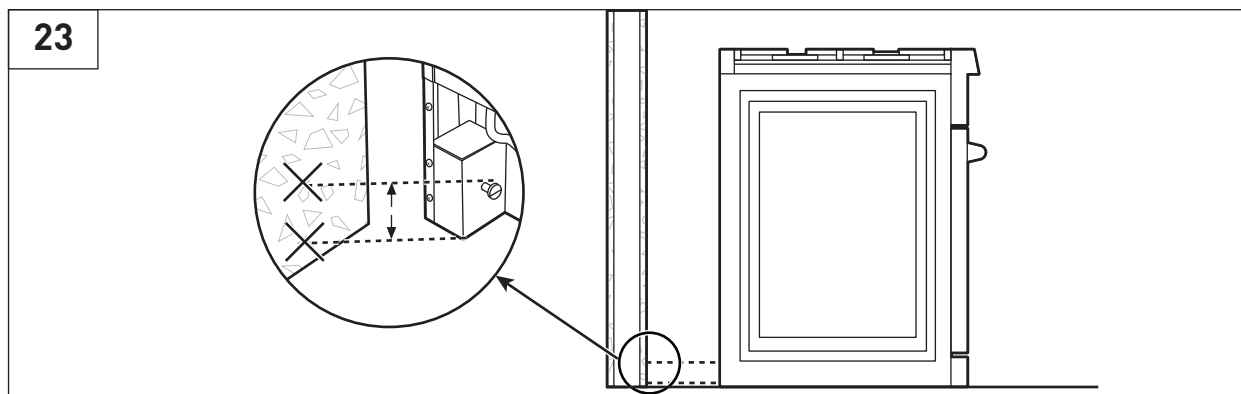
**CAUTION Risk of damage!** Do not drill into any pipes or power lines beneath the surface while preparing the mounting holes for the anti-tip device (4). Use a voltage/metal detector before drilling any holes to eliminate any such potential risks.

## Equipment required

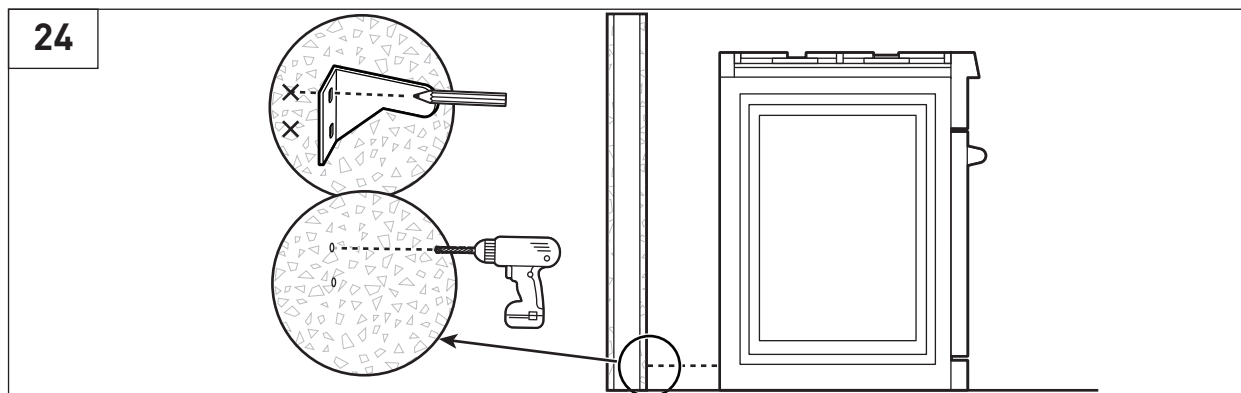
- Power drill
- Pencil
- Spirit level
- Measuring tape

## For LRG2401U

1. Measure the height between the floor and protruding part on the left side of the back panel (Fig. 23).
2. Mark this measurement on the back wall (Fig. 23).

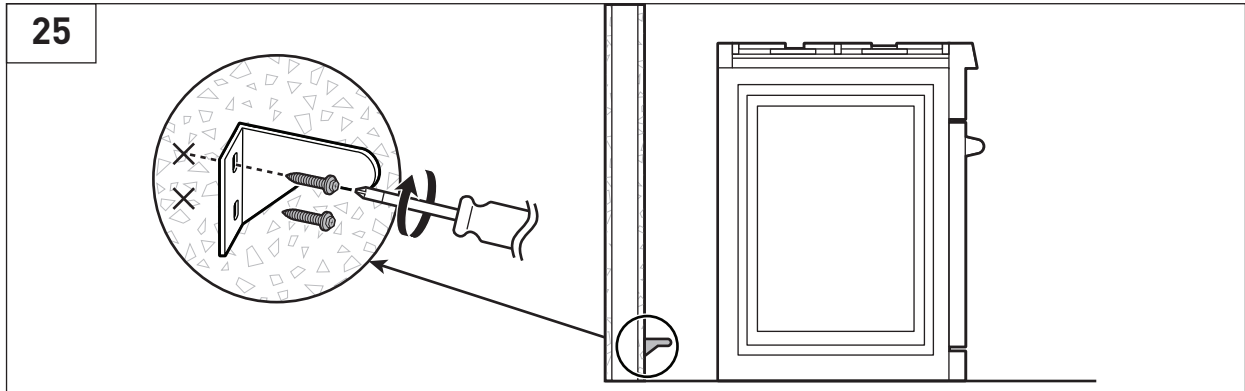


3. Place the anti-tip device (4) against the wall and mark the holes on it, ensuring they are level (Fig. 24).
4. Drill holes on the marked places (Fig. 24).



# INSTALLATION

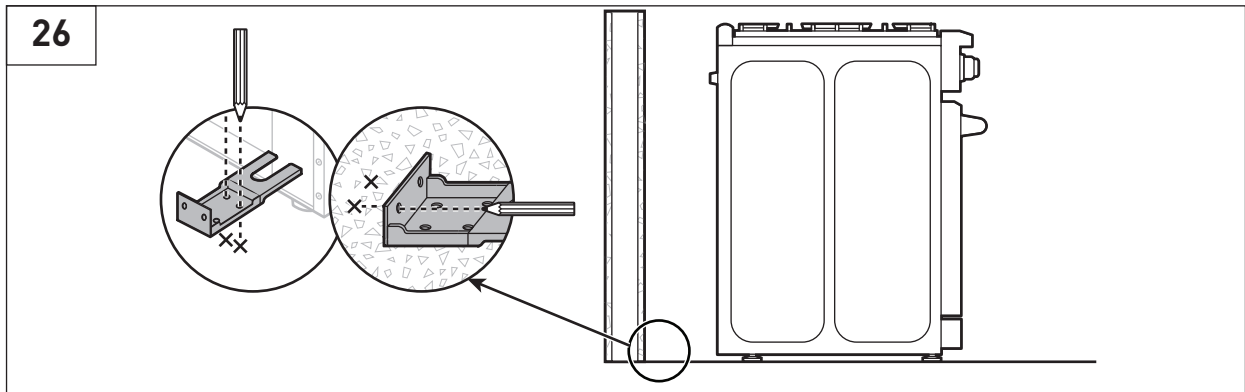
5. Attach the anti-tip device (4) to the back wall using the provided screws (5) (Fig. 25).



6. Push the appliance all the way into the installation location, engaging it with the anti-tip device (4).

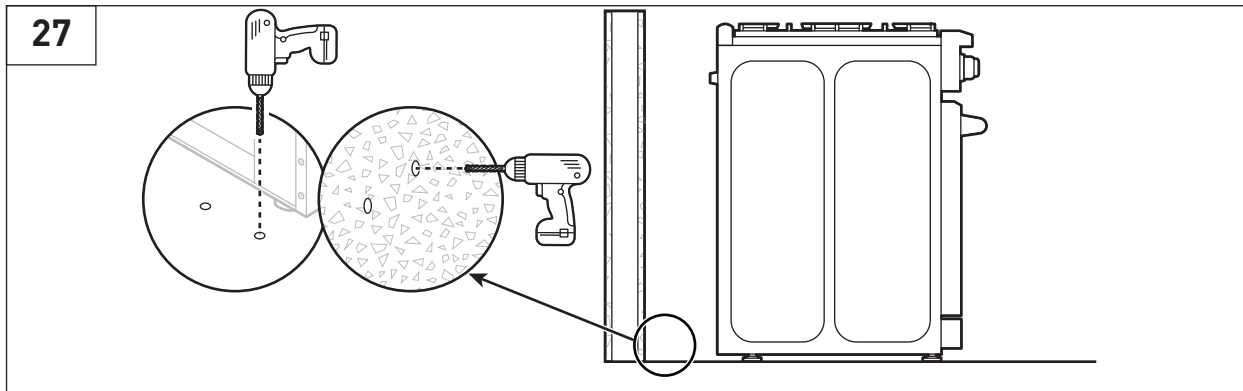
For LRG3001U, LRG3601U and LRG4807U

1. Place the anti-tip device (4) on the floor, on the right side of the installation area.
2. Test the fit of the anti-tip device (4) by pushing the appliance into place. Ensure that the anti-tip device (4) catches onto the back right foot (36) of the appliance.
3. Once the correct placement is verified, pull out the appliance and mark the holes on the anti-tip device (4) onto the floor (Fig. 26).

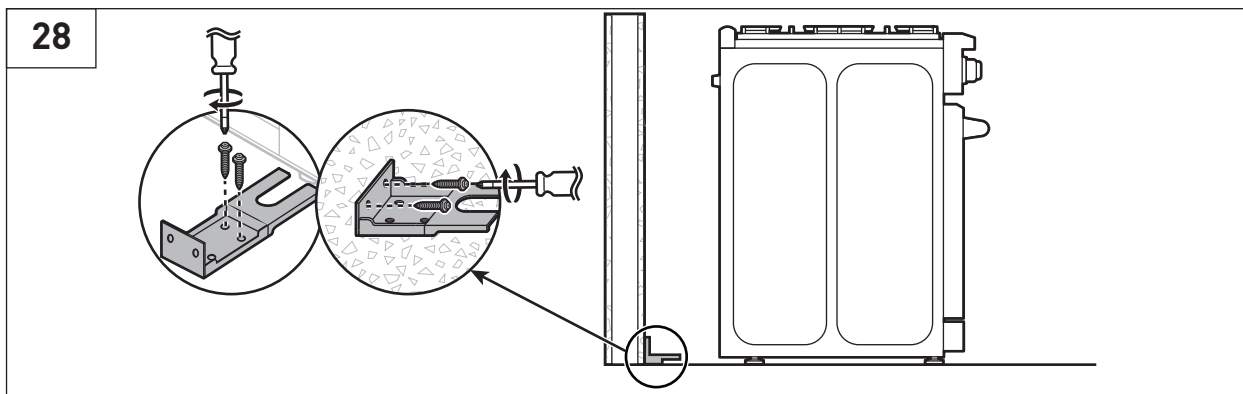


# INSTALLATION

4. Put away the anti-tip device (4) and drill holes on the marked positions (Fig. 27).



5. Attach the anti-tip device (4) to the floor using the provided anti-tip device screws (5) (Fig. 28).



6. Push the appliance all the way into the installation location, engaging it firmly with the anti-tip device (4).

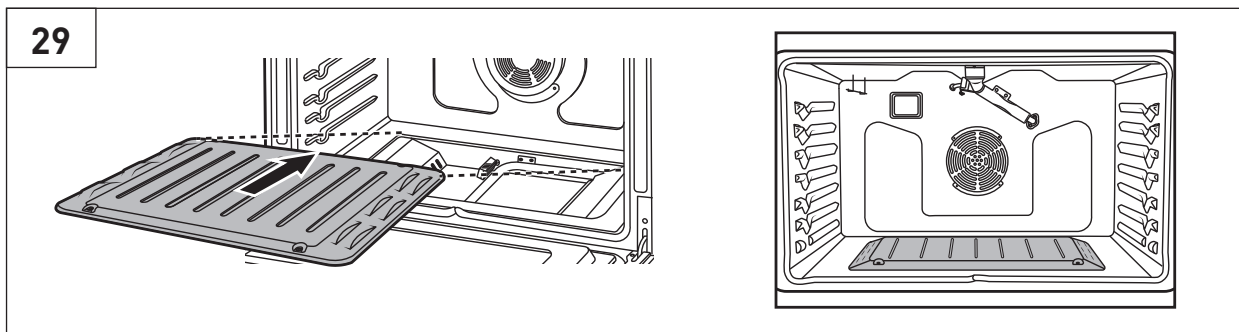
## Check the installation of the anti-tip device

1. Remove any items on the cooktop (21).
2. Grasp the top rear edge of the appliance and carefully attempt to tilt it forward.
3. Verify that the anti-tip device (4) is engaged.

# INSTALLATION

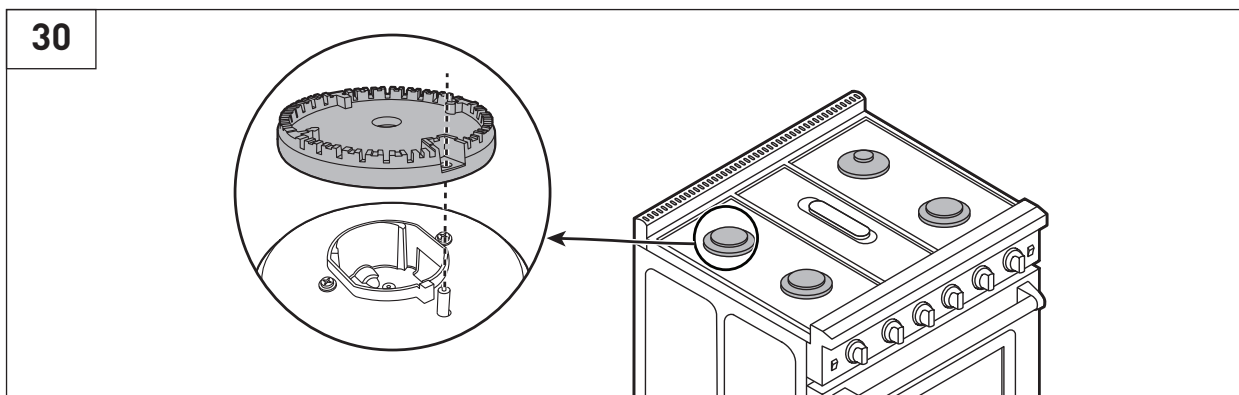
## 3.13 Place the bottom cover (LRG3001U, LRG3601U, LRG4807U only)

Place the oven burner cover (27) over the oven burner (38). When placed correctly, the rim of the oven burner cover (27) fully fits into the indentation of the oven burner (38) (Fig. 29).



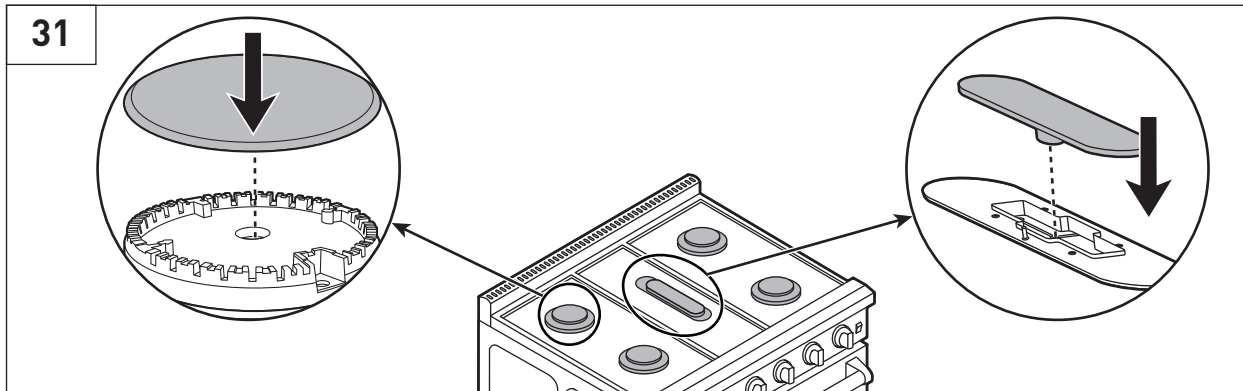
## 3.14 Assemble the burners

- The burner parts (11, 12, 39, 40) come pre-assembled and taped to the cooktop (21).
- If adhesive residue remains, use a soft cloth and dishwashing liquid to remove it. Avoid harsh or abrasive cleaners.
- The burner base (13) has an electrode that fits into holes on the burner head (12). Ensure the hole in the burner head (12) is positioned over the electrode (Fig. 30) when assembling.
- Properly assembled burners should have a level surface and not be tilted (Fig. 30). A tilted burner may cause an uneven flame.



# INSTALLATION

- Match the correct sizes of burner heads (12) and burner caps (11) to the burner base (13) (Fig. 31).
- For LRG3001U, match the oval burner cap (39) with the oval burner base (40) (Fig. 31).



- Place the cooking grates (14a) on the cooktop (21) after assembling the burners. For LRG3001U, place the cooking grate (14b) on the assembled oval burner.

## 3.15 Perform a test run

### Check burner ignition

1. Select a burner knob (28) and simultaneously push in and turn to the **Ignite** position. A clicking sound indicates proper ignition operation.
2. The burner should ignite within 4 seconds once the air is purged from the supply lines. After ignition, rotate the burner knob (28) out of the **Ignite** position.
3. Visually check the combustion quality of the flames:

Flame appearance	Description	Verdict
	Yellow flames	Call for service to adjust the flame
	Yellow tips on the outer cones	Normal for LP
	Soft blue flames	Normal for NG

4. Test each burner one by one until all burners have been checked.

# INSTALLATION

## Check oven, broiler and griddle burners/heating elements

1. Select a oven knob (29) and simultaneously push in and turn to the **150-500** position. A clicking sound indicates proper ignition operation.
2. Hold the position for 4 seconds then set to the highest heat setting. After 30-90 seconds check that the oven burner (38) has started to heat up.
3. Set the oven knob (29) to **BROIL** setting. After 30-90 seconds check that the broiler burner (16) has started to heat up.
4. Take off the griddle cover (43).
5. Simultaneously push in and turn the griddle knob (44) to the highest temperature. A clicking sound indicates proper ignition operation.
6. After 30-90 seconds check that the griddle (43) has started to heat up.

### 3.16 Conditioning

Conditioning burns off any manufacturing residues.

1. Place all the oven racks (8) inside the oven cavity (15).
2. If a hood is installed, set it on high.
3. Heat the empty oven at the highest temperature for 30 minutes, then for **BROIL** for 30 minutes. A distinctive smell during conditioning is normal, but ensure the kitchen is well ventilated.
4. Heat the griddle (43) at the highest temperature for 30 minutes.
5. Let the oven cavity (15) and the griddle (43) cool down.
6. Once cooled, wipe the oven cavity (15) and the griddle (43) with a damp cloth and mild detergent, then dry thoroughly.

# TROUBLESHOOTING

Problem	Possible cause	Solution
The appliance is not level.	The appliance has been installed improperly.	Place the oven rack (8) in the center of the oven. Place a level on the oven rack (8). Adjust the feet (24, 36) until the oven rack (8) is level. Ensure the floor is level and strong and stable enough to adequately support the appliance.
	The floor is sagging or sloping.	Contact a carpenter to correct the situation.
	The kitchen cabinets are not properly aligned and make the appliance appear to be not level.	Ensure the cabinets are square and provide sufficient room for installation.
The appliance must be accessed for servicing and cannot be moved easily.	The kitchen cabinets are not square and too close to the appliance.	Contact a builder or installer to make the appliance accessible.
	Carpet is interfering with movement of the appliance.	Provide sufficient space so the appliance can be lifted over the carpet.



## Warranty & Service

This appliance has been manufactured by Thor International, 10830 Ada Ave, Montclair, CA 91762

For Customer Service, please call (877) 288 - 8099

For the most up to date warranty and service policy, please refer to our website  
[WWW.THORKITCHEN.COM/WARRANTY-REGISTRATION](http://WWW.THORKITCHEN.COM/WARRANTY-REGISTRATION)

For in-warranty service requests, please visit our website at  
[WWW.THORKITCHEN.COM/SERVICE](http://WWW.THORKITCHEN.COM/SERVICE)

**Please Note:** You must provide proof of purchase or installation date for any in-warranty service requests

# We Stand Behind the Quality of Our Appliances.

Reliability and customer satisfaction are our top priorities. We offer a solid two-year warranty on both parts and labor. Enjoy professional-grade performance with the confidence that we've got you covered.

## Warranty Registration Made Easy.

**01** Scan the QR Code or visit [thorkitchen.com/register-your-product](http://thorkitchen.com/register-your-product).

**02** Input your purchase and product information and select register.

**03** That's it. You're all set. Enjoy!



WARRANTY



PARTS

Questions: [service@thorinternational.com](mailto:service@thorinternational.com)