



Product: 24 Inch 4 Burner Gas Range in Stainless Steel
Model Number: LRG2401U / LRG2401ULP

TECHNICAL DETAILS

Fuel Type	Natural Gas / LP Convertible
Electrical Requirements	120V
Circuit Breaker (A)	20 A
Frequency (Hz)	60 Hz
Controls Type	Knob

BURNER PERFORMANCE

Total Burners	4
[1] Front Left Burner	NG: 12000BTU / LP: 10000BTU
[2] Front Right Burner	NG: 18000BTU / LP: 16000BTU
[3] Rear Left Burner	NG: 9000BTU / LP: 7000BTU
[4] Rear Right Burner	NG: 3500BTU / LP: 3500BTU



FEATURES & BENEFITS

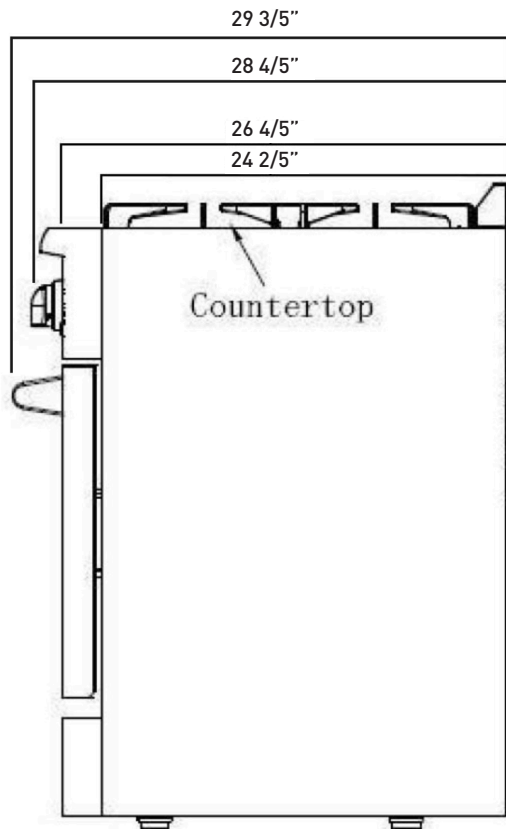
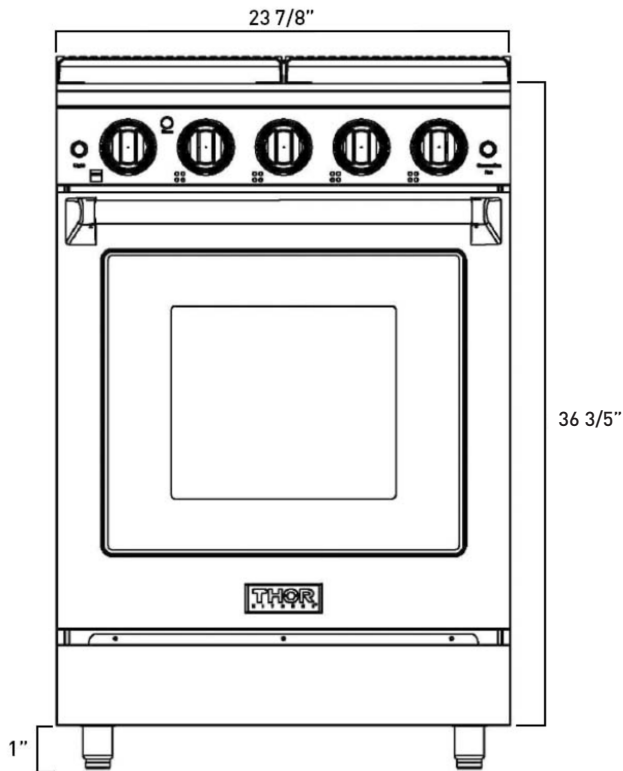
- High-Powered BTU Burners:** The high-powered 18,000 BTU burner provides fast, intense heat for creating large family meals and restaurant-quality dishes.
- Oven Capacity:** 3.73 cu. ft. oven capacity can accommodate multiple dishes for enhanced cooking.
- Continuous Cast-Iron Grates:** Heavy-duty continuous cast-iron cooking grates make it easy to transfer cookware from burner to burner without lifting.
- Even Heat Broiler:** Reflective gas tube broiler distributes heat evenly to sear your food and seal in the juices.
- Porcelain Spill Tray:** Single-piece black porcelain spill tray catches the mess and makes cleanup easy.
- Porcelain Interior:** The gray porcelain oven interior adds a stylish touch and is easy to clean.

OVEN PERFORMANCE

Oven Capacity	3.7 cu. ft.
Oven Functions	Bake, Broil
Oven Color Grey	Grey
Broil Burner	10,000 BTU
Bake Burner	12,000 BTU
Convection	No
Oven Light	1, Rear
Oven Racks	2
Oven Rack Material	Chrome Plated
Rack Positions	5
Baking Sheet	Fits Half Sheet Pan (18" x 13")

ACCESSORIES (NOT INCLUDED)

Wok Ring	WK01
Liquid Propane Conversion Kit	LPKLRG2401U
Attachable Griddle	RG1022



PRODUCT DIMENSIONS

Product Width	23 7/8"
Product Depth (including door)	26 4/5"
Product Depth (no door)	24 2/5"
Product Height (bullnose)	36 3/5"
Product Depth (including handle)	29 3/5"
Product Depth (from knobs)	28 4/5"
Adjustable Legs	1" Max

REQUIRED CUTOUT SIZE

Cutout Width	24"
Cutout Depth	24"
Cutout Height	36"

