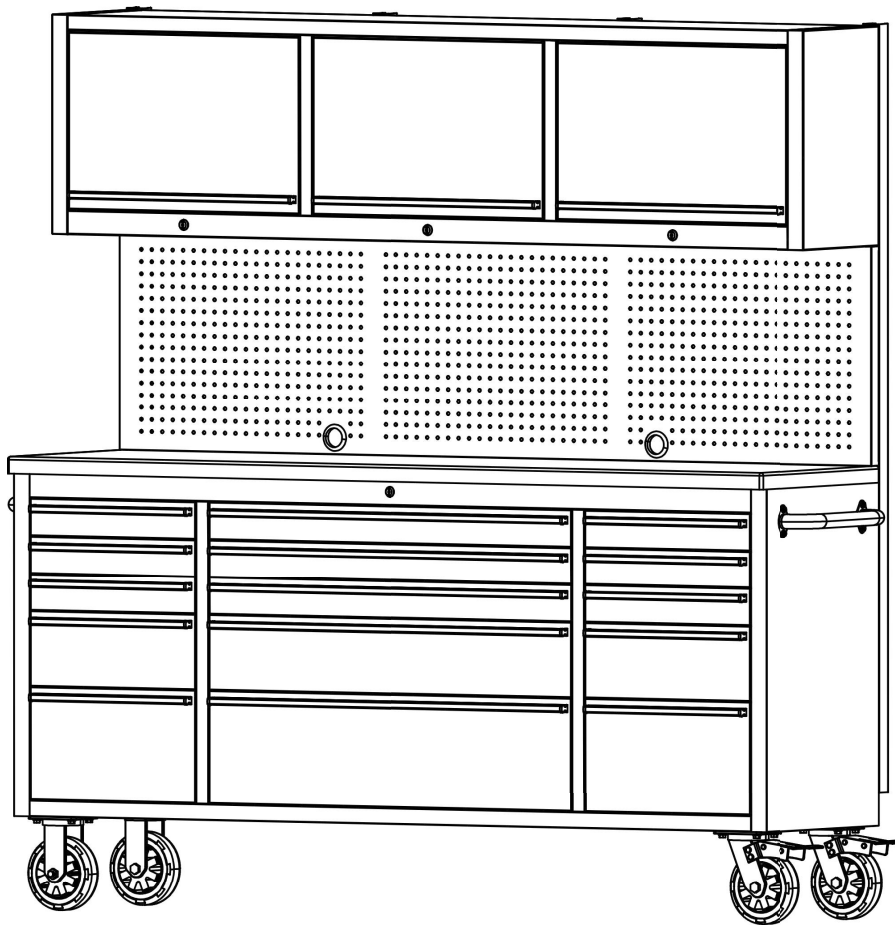


### Rubberwood Tabletop & Stainless Steel 72" 15-Drawer Tool Chest with Upper Cabinet and Pegboard

**Model: TC7215UC**



- Please read the user manual completely before assembly.
- Check against the parts list to make sure all parts are received.
- Wear proper safety goggles or other protective gear during assembly.

Missing parts or questions on assembly?

Please call: 1-877-288-8099 or email: [service@thorinternational.com](mailto:service@thorinternational.com)

Do not return the product to dealer, they are not equipped to handle your requests


## TABLE OF CONTENTS

Safety Symbols.....	2
Safety Instructions.....	3
Dimensions of the Tool Chest.....	4
Parts List.....	5
Assembly and Operation.....	7
Anti-Tipping Hardware Kit.....	10
Maintenance and Safety.....	12

## SAFETY SYMBOLS



1. Read and follow all safety and assembly instructions before using this product for the first time.
2. Read the following information and retain the manual for future reference:

	<b>Do not open more than one drawer at a time.</b>
	<b>Do not step on drawers.</b>
	<b>Do not allow children near the unit.</b>
	<b>Set the brake on the locking casters unless you are moving the unit.</b>
	<b>Lock drawers and lid before moving the unit.</b>
	<b>Do not lift unit by yourself.</b>

## SAFETY INSTRUCTIONS

Safety symbols are intended to draw attention to potential hazards. It is important to carefully read and understand both the symbols and their accompanying explanations. However, symbol warnings alone cannot eliminate risks. Following the provided instructions and taking proper safety precautions are essential for preventing accidents.



### **WARNING**

**Be sure to read and understand all safety instructions in this manual, including all safety alert symbols such as "DANGER", "WARNING", and "CAUTION", before using this product. Failure to follow all instructions listed below may result in electric shock, fire and/or serious personal injury.**

## SYMBOL MEANING



**SAFETY ALERT SYMBOL:** Indicates DANGER, WARNING, or CAUTION.

May be used in conjunction with other symbols or pictographs.



### **DANGER:**

**Failure to obey this warning May result in serious injury to yourself or to others. Always follow the safety precautions to reduce the risk of personal injury.**



### **CAUTION:**

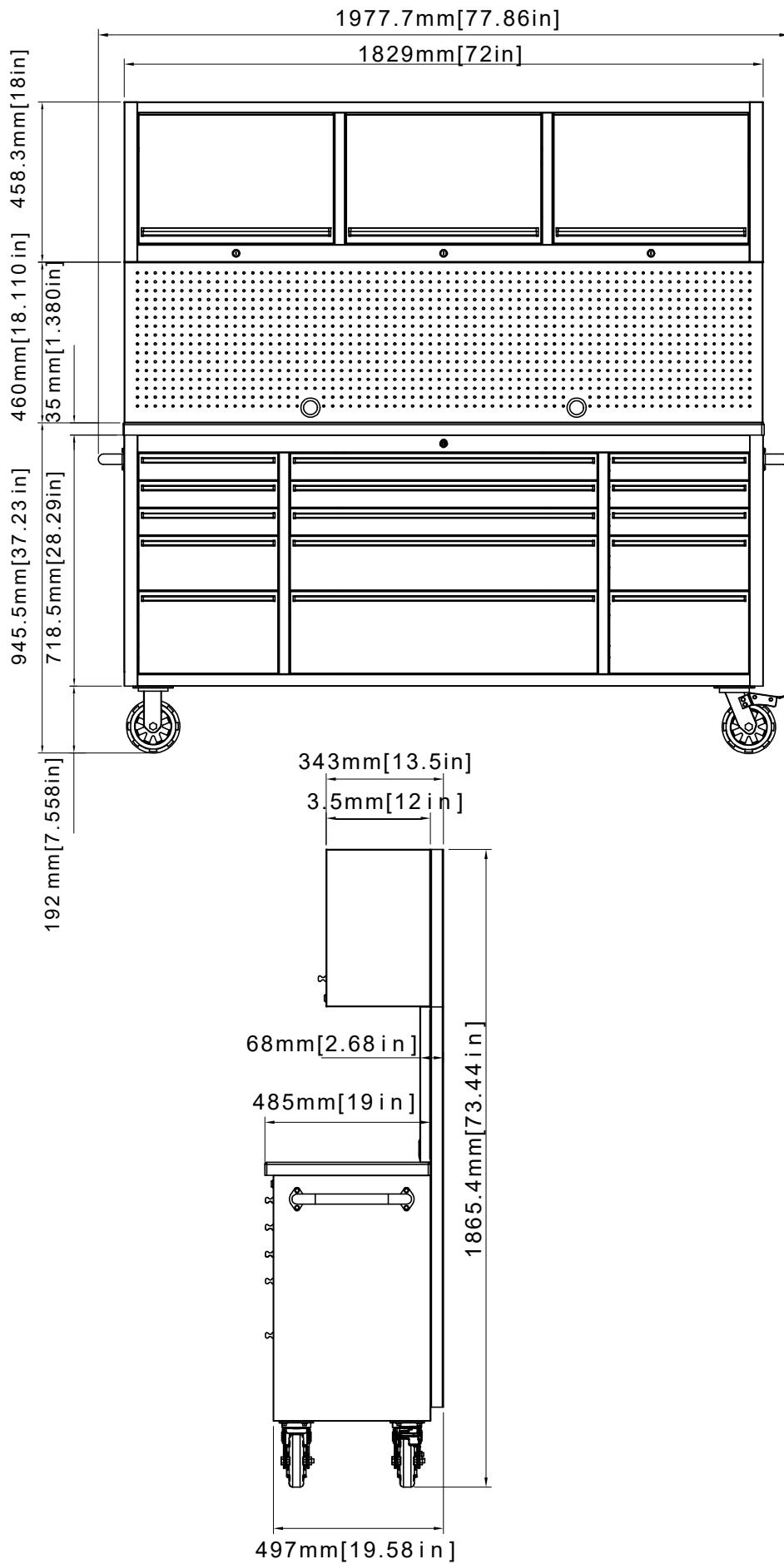
Failure to obey this safety warning MAY result in serious injury to yourself or to others. Always follow the safety precautions to reduce the risk of personal injury.



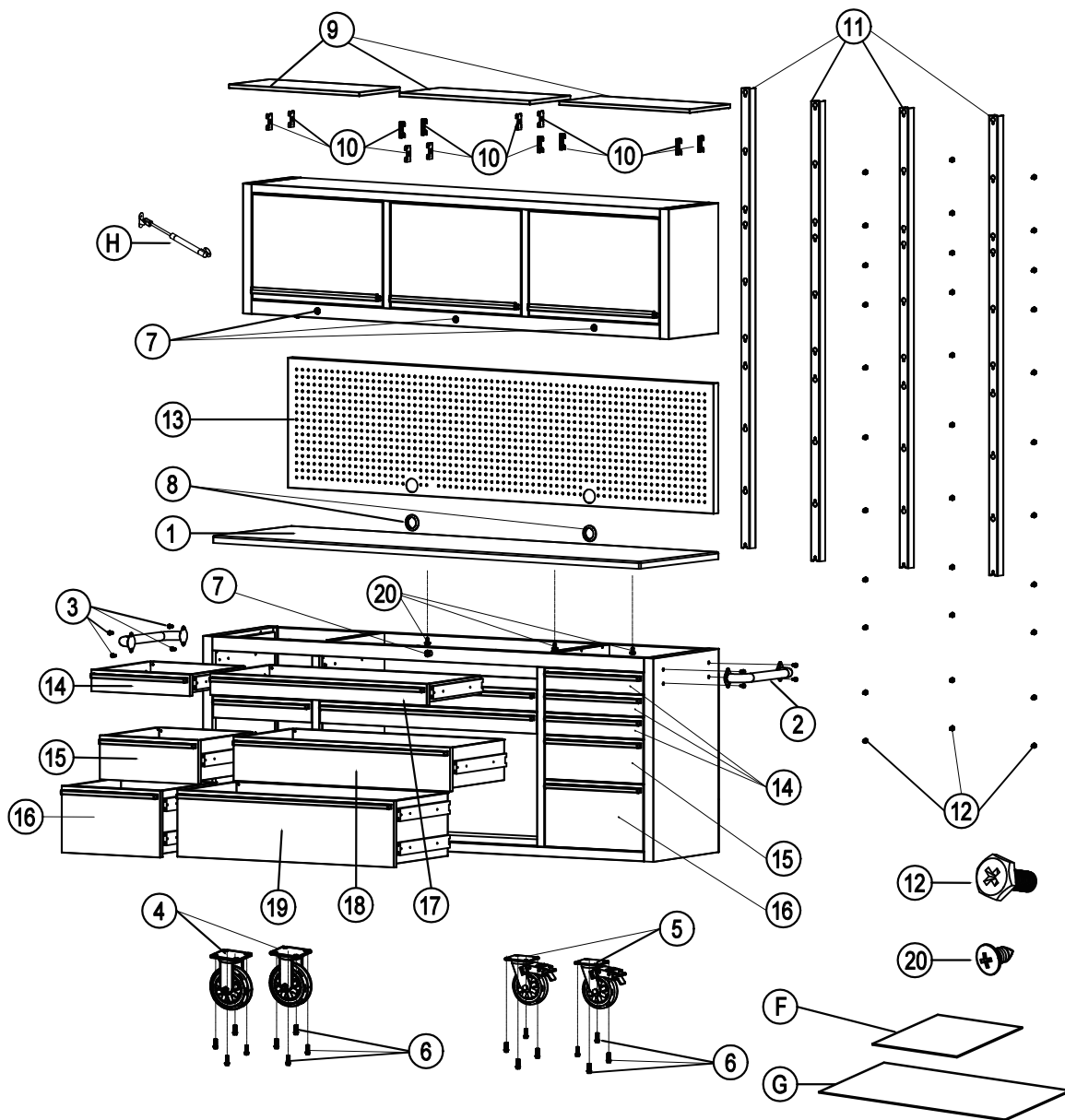
### **CAUTION:**

Failure to obey this safety warning MAY result in personal injury to yourself or others or property damage. Always follow the safety precautions to reduce the risk of personal injury.

# DIMENSIONS OF THE TOOL CHEST



# PARTS LIST



# PARTS LIST

Sequence #	PART#	DESCRIPTION	QTY
1	128115001000001	Bench Top	1
2	129115009000001	Handle	2
3	113011009000022	1/4"*12mm [0.47in]Phillips Hex-Head Screw	8
4	129115001000030	Rigid caster	2
5	129115001000015	Swivel caster(W/brake)	2
6	113011009000021	3/8"*25 mm[0.98in] Hex Bolt	16
7	129115004000004	Lock and Key	4
8	113003003000041	Grommet	2
9	122115021000003	Shelf for upper cabinet	3
10	122115023000001	Hook	12
11	122115028000025	Rails	4
12	113011009000012	1/4"*14 mm[0.55in] Phillips Hex-Head Screw	40
13	122115001000048	Pegboard	1
14	220115003P00018	15.8"W*16"D*3"H Drawers [401.3W*406.4D*76.2H mm.]	6
15	220115003P00019	15.8"W*16"D*6"H Drawers [401.3W*406.4D*152.4H mm.]	2
16	220115003P00011	15.8"W*16"D*9.3"H Drawers [401.3W*406.4D*236.2H mm.]	2
17	220115003P00020	34.6"W*16"D*3"H Drawers [878.8W*406.4D*76.2H mm.]	3
18	220115003P00021	34.6"W*16"D*6"H Drawer [878.8W*406.4D*152.4H mm.]	1
19	220115003P00008	34.6"W*16"D*9.3"H Drawer [878.8W*406.4D*236.2H mm.]	1
20	113031025000028	ST4.8*L17Hex Bolt	21
A	122115049000001	Anti-tip Bracket	2
B	121115012000001	Plastic Anchor+Drywall Screw	2
D			
C	113003003000027	Washer	2
E	113011009000022	1/4"*12mm [0.47in]Phillips Hex-Head Screw	4
F	121115004000010	15.8"W*14.76"L Drawer Liner(401.3W * 374.9L mm.)-0.12"(3mm.)Thickness	10
G	121115004000011	33.6"W*15.5"LDrawer Liner [853.4W * 393.7L mm.]- 0.12"[3 mm.]Thickness	5
H	129115012000002	Pneumatic support rod	6

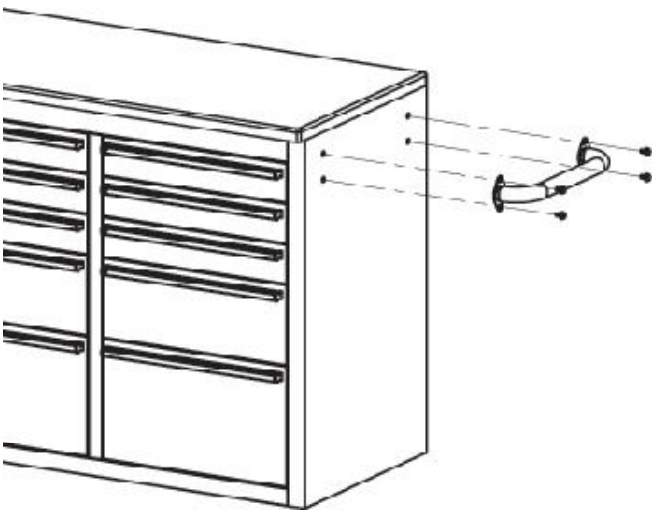
# ASSEMBLY

## NECESSARY TOOLS REQUIRED FOR ASSEMBLY

- 10 mm socket (for cabinet side handles)
- 12 mm socket
- screwdriver

## INSTALL THE HANDLE

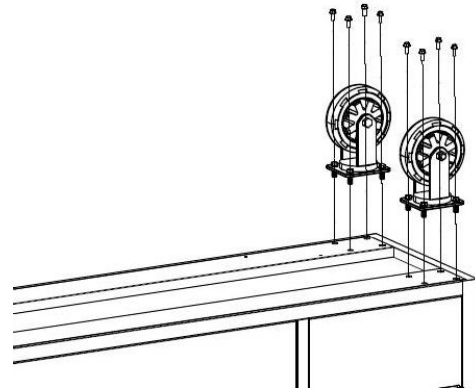
Position the handle over the holes and attach with the 1/4\*12mm[0.47in] phillips hex-head screw [3] provided. Tighten securely using a 10 mm socket.



## INSTALL THE CASTERS

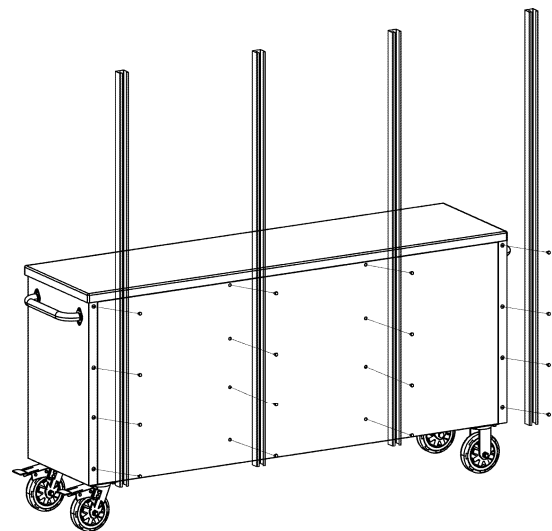
Carefully lay the cabinet on its back using a soft mat under the back for protection. Position two swivel casters [5] on the bottom of the cabinet, on the right side (same side as the handle [2]). Insert 3/8\*25mm[0.98in] hex bolts [6] through the casters

and into the bottom of the cabinet. Tighten securely using a 12 mm socket. Repeat for the two rigid casters [4] on the other side of the cabinet.



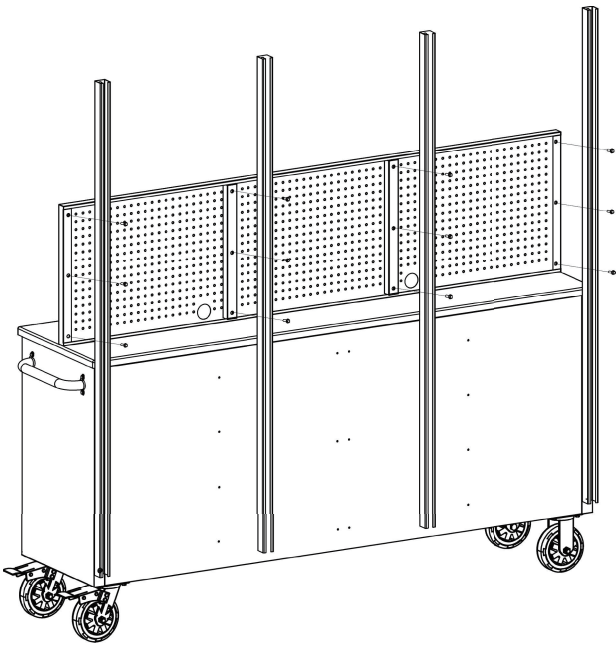
## RAIL, PEGBOARD AND UPPER CABINET INSTALLATION

Attach the four rails [11] to the tool cabinet with four 1/4\*12mm[0.55in] phillips hex-head screw[12]each.



# ASSEMBLY

Attach the pegboard to the rails with twelve 1/4\*14mm[0.55in] phillips hex-head screw [12].



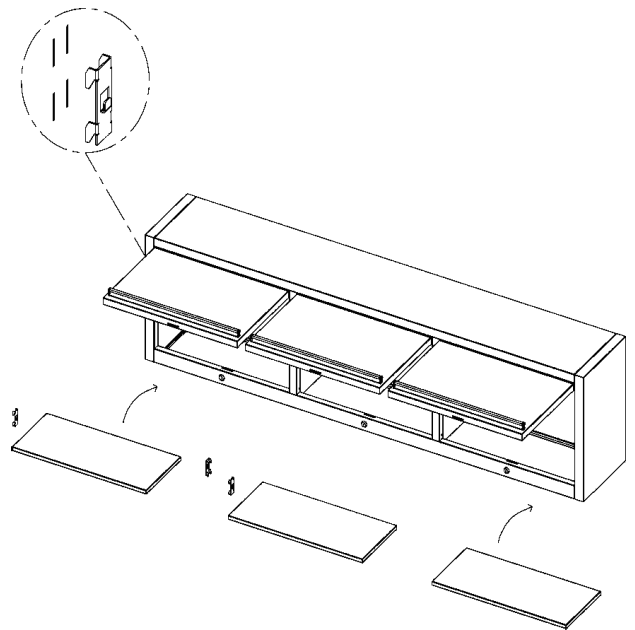
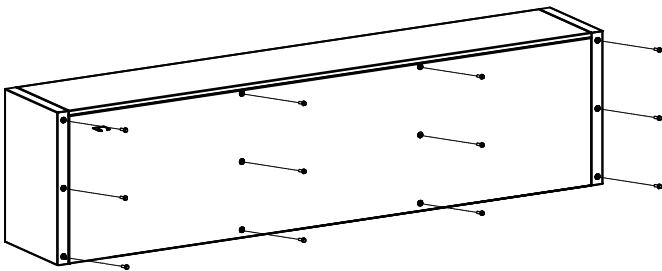
## NOTE:

Adjust the rear support upward to align it with the hole on the back plate, based on the thickness of the countertop.

## SHELF ASSEMBLY

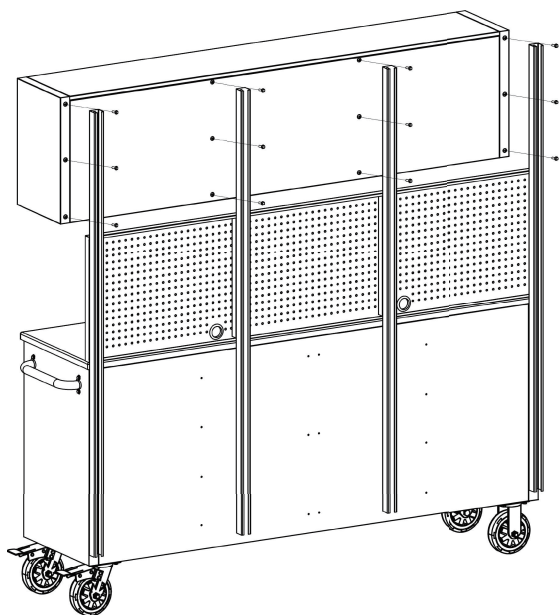
Insert the four brackets inside the upper cabinet at the desired height. Place the shelf on the shelf supports. Repeat for the other shelves

Attach the upper cabinet with twelve 1/4\*14mm[0.55in] phillips hex-head screw [12] to lock half of it.

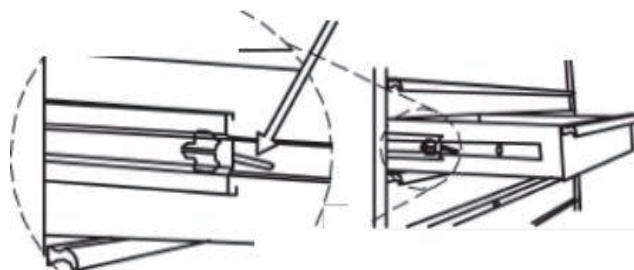


## ASSEMBLY AND OPERATION

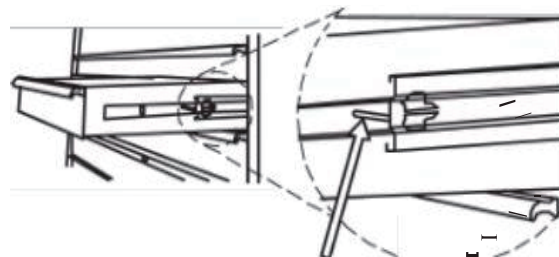
Attach the upper cabinet to the rails with twelve 1/4\*14mm[0.55in] phillips hex-head screw [12] which before used.



PUSH UP (LEFT HAND SIDE)



PULL DOWN (RIGHT HAND SIDE)



### TO REMOVE DRAWERS

Pull the drawer out so it is almost fully extended. **PUSH UP ON THE LEFT HAND** black release lever, while **PULLING DOWN ON THE RIGHT HAND** black release lever. While holding the levers in the positions as instructed above, pull the drawer outward until it is released from the drawer slide.

### TO REPLACE DRAWERS

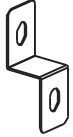
Extend the drawer slides from the tool chest. Insert the brackets on each cabinet slides, being careful that they are positioned properly. Once properly inserted, completely close the drawer to set the slides in their proper positions.

## ANTI TIPPING HARDWARE KIT



### WARNING

PLEASE NOTE: WE STRONGLY RECOMMEND THAT THIS PRODUCT IS PERMANENTLY FIXED TO A WALL. PLEASE USE THE PROVIDED "ANTI-TIPPING HARDWARE KIT" TO SECURELY FIX PRODUCT TO YOUR WALL.



A x 2



B x 2



C x 2



D x 2



E x 2

**It is strongly recommended that you anchor this product.**

Toppling furniture can cause serious injuries and death.

An "anti-tipping hardware kit" has been provided with this product to stop your furniture from tipping forward. It is strongly recommended that you securely attach this product to a wall or other solid surface using the provided fixings.

Important: Regularly check that anchors are securely maintained. Stability of tall items may be affected by thick pile carpet or uneven floors.

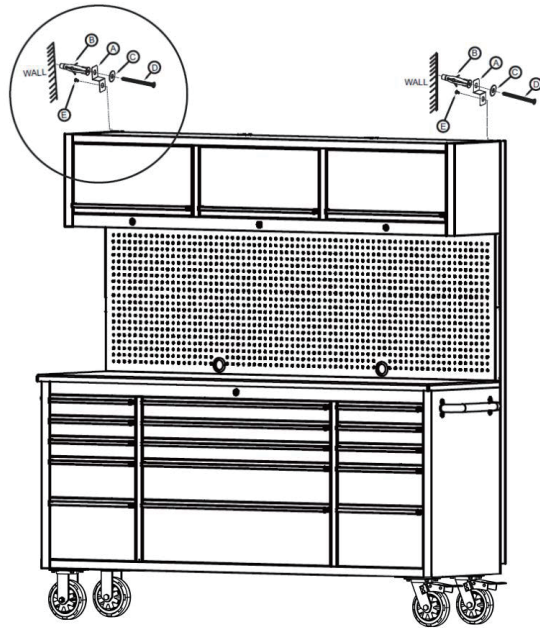
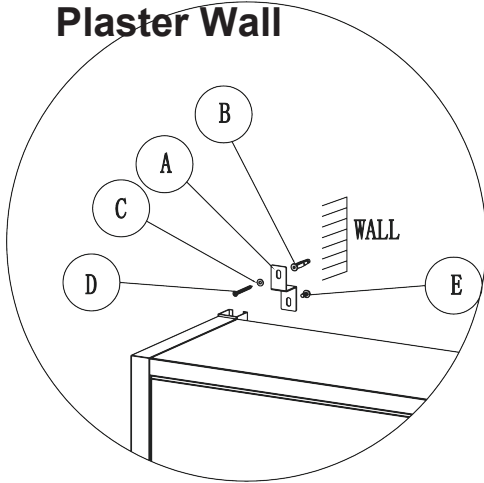
### Caution:

**For your safety when attaching the anchor fixings, please note the following:**

- **Check for any electrical wires or plumbing inside the wall before drilling any holes (If you are unsure, please seek professional advice from a qualified tradesperson.**
- **Walls are constructed from different materials, for example, masonry (solid brick) or plasterboard lined cavity walls (hollow). It is important that you use the appropriate fixings for your wall type.**

# ANTI TIPPING HARDWARE KIT

## Installation for Brick, Masonry Wall and Plaster Wall



# MAINTENANCE

## MAINTENANCE

For casters, use high quality bearing grease (annually/yearly). Lubricate the slides (twice a year) with a product like WD40 or other quality lubricant. This is especially important when the temperature decreases, as the bearing can become stiff. Periodically the drawer fronts, drawer trim, and other surfaces should be cleaned with mild detergent and water. Using solvents of any kind on the wood top may damage the finish. Liquid spills should be removed immediately. Using a soft clean cloth, blot the spill gently. Avoid rubbing.

## SAFETY



### WARNING

Lock the drawers before moving this product. The drawers could come open and make the product unstable and tip, which may cause personal injury or product damage.



### CAUTION:

The maximum

weight for each drawer should be no more than 100 lbs.



### CAUTION:

The maximum product weight, including contents, should be no more than 2000 lbs for roller cabinets.



### WARNING

DO NOT attempt to lift the cabinet by its side handles using chains, ropes or other lifting devices. Use a forklift placed under the bottom of the cabinet. The side handle could fail, which may cause personal injury or damage to the product.



### WARNING

DO NOT stand on this product or lean on the worktop.



### WARNING

WEAR SAFETY GLASSES when removing or re-positioning the slides. The tool could slip, which may cause personal injury.



### CAUTION:


When moving this product, do not pull it. Push the product to prevent personal injury.





### CAUTION:


USE THE BRAKES when not moving this product. This will prevent the product from rolling, which may cause personal injury or product damage.


## MAINTENANCE AND SAFETY


 **CAUTION:** BE CAREFUL when opening more than one drawer. The product could become unstable and tip, which may cause personal injury or product damage.

 **WARNING** DO NOT mount this product on a truck bed or any other moving object. This may cause personal injury or product damage.

 **CAUTION:** Secure this product properly before moving it with a forklift.

 **WARNING** DO NOT tow with power equipment. The product could tip, which may cause personal injury or product damage.

 **CAUTION:** DO NOT alter this product in any manner. For example, do not weld external lock bars or attach electrical equipment. This may cause product damage or personal injury.

 **CAUTION:** Keep this product on level surfaces. The product may become unstable and tip if stored or moved on an uneven surface, which may cause personal injury or product damage.