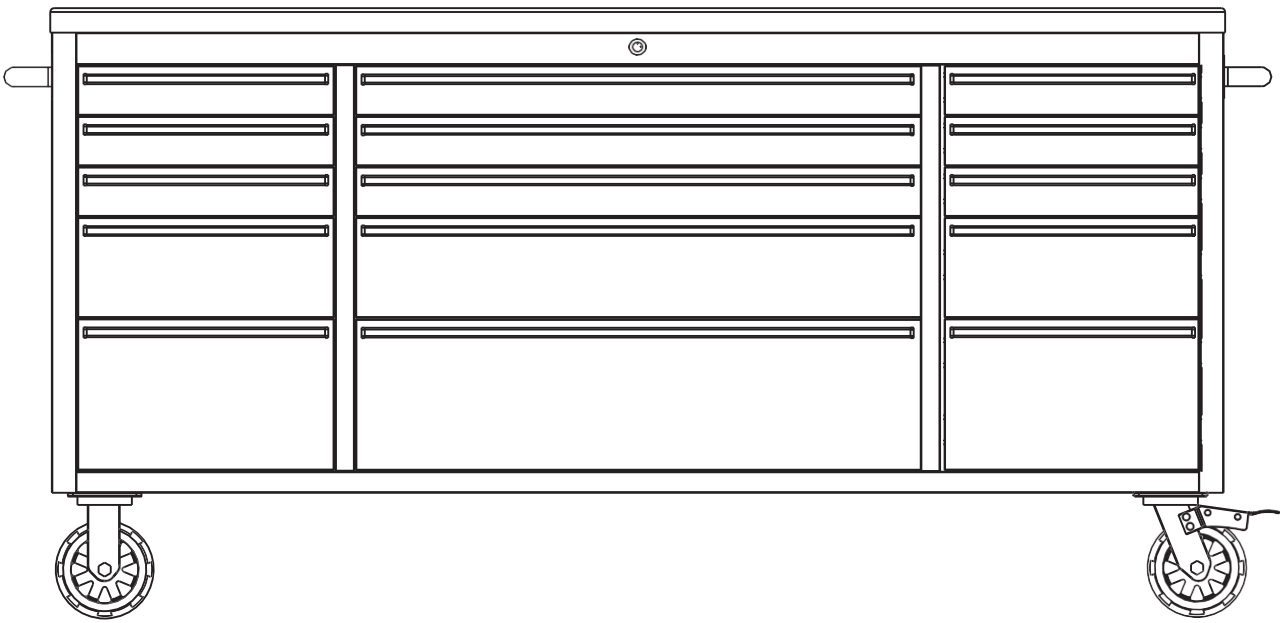


### Rubberwood Top & Stainless Steel

## 72" 15-Drawer Mobile Work Bench (Stainless Steel)

**Model: TC7215**



### **WARNING**



- Please read the product manual completely before assembly.
- Check against the parts list to make sure all parts are received.
- Wear proper safety goggles or other protective gears while assembling.

Missing parts or questions on assembly?

Please call: 1-877-288-8099 or email: [service@thorinternational.com](mailto:service@thorinternational.com)

Do not return the product to dealer, they are not equipped to handle your requests.

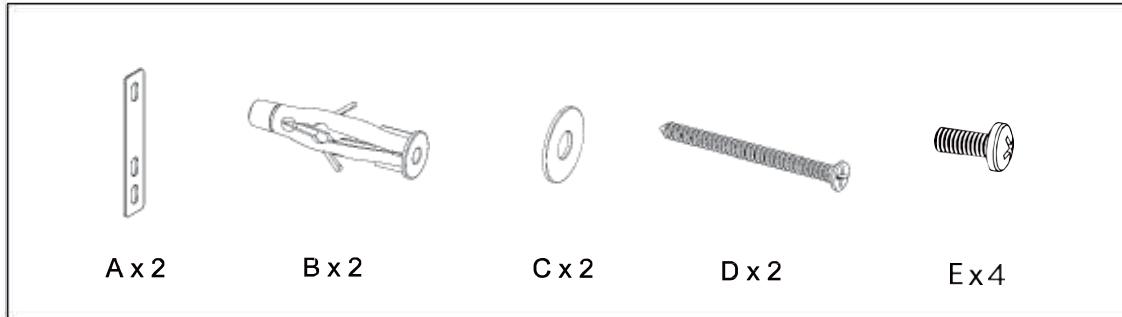
This user manual is for the following models:  
**TC7215**

## ANTI TIPPING HARDWARE KIT



**WARNING**

PLEASE NOTE: WE STRONGLY RECOMMEND THAT THIS PRODUCT IS PERMANENTLY FIXED TO A WALL. PLEASE USE THE PROVIDED "ANTI-TIPPING HARDWARE KIT" TO SECURELY FIX PRODUCT TO YOUR WALL.



It is strongly recommended that you anchor this product.

Toppling furniture can cause serious injuries and death.

An "anti-tipping hardware kit" has been provided with this product to stop your furniture from tipping forward. It is strongly recommended that you securely attach this product to a wall or other solid surface using the provided fixings.

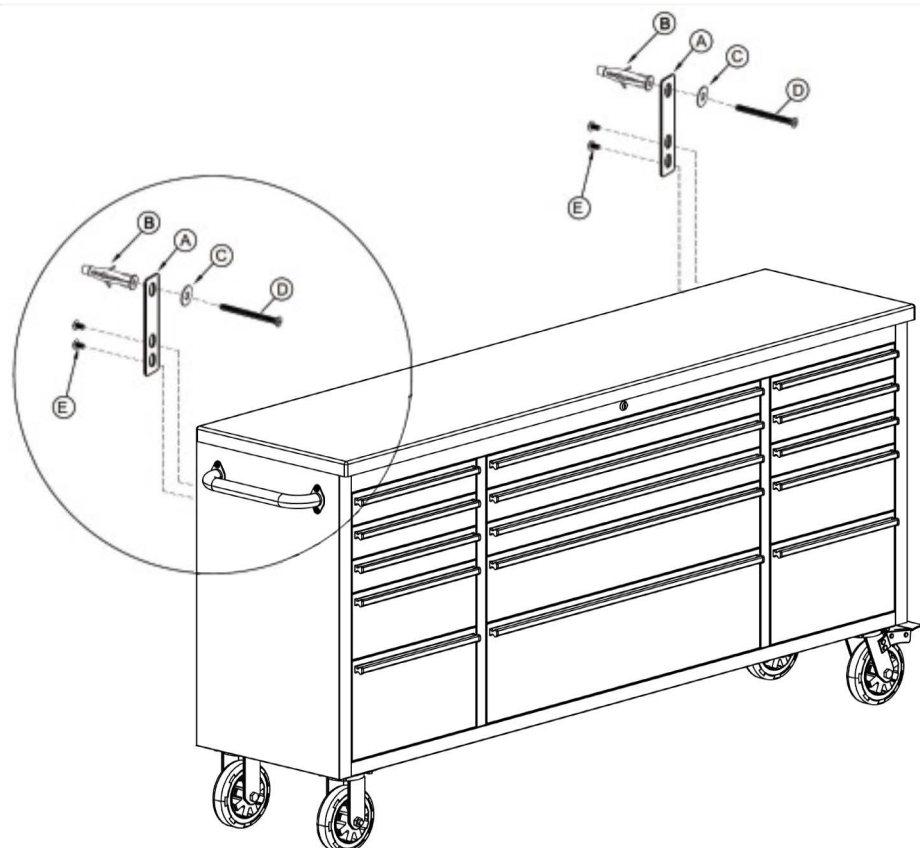
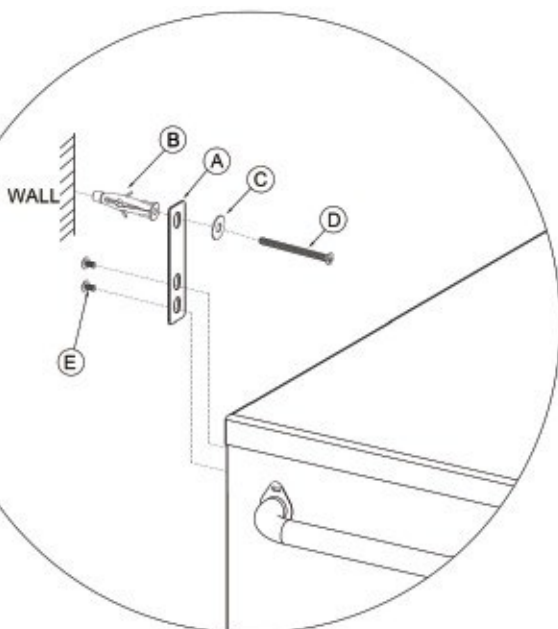
Important: Regularly check that anchors are securely maintained. Stability of tall items may be affected by thick pile carpet or uneven floors.

**Caution:**

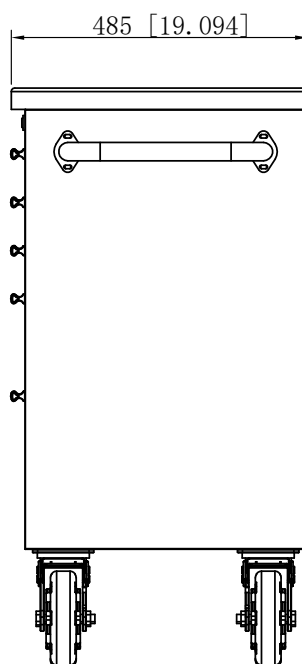
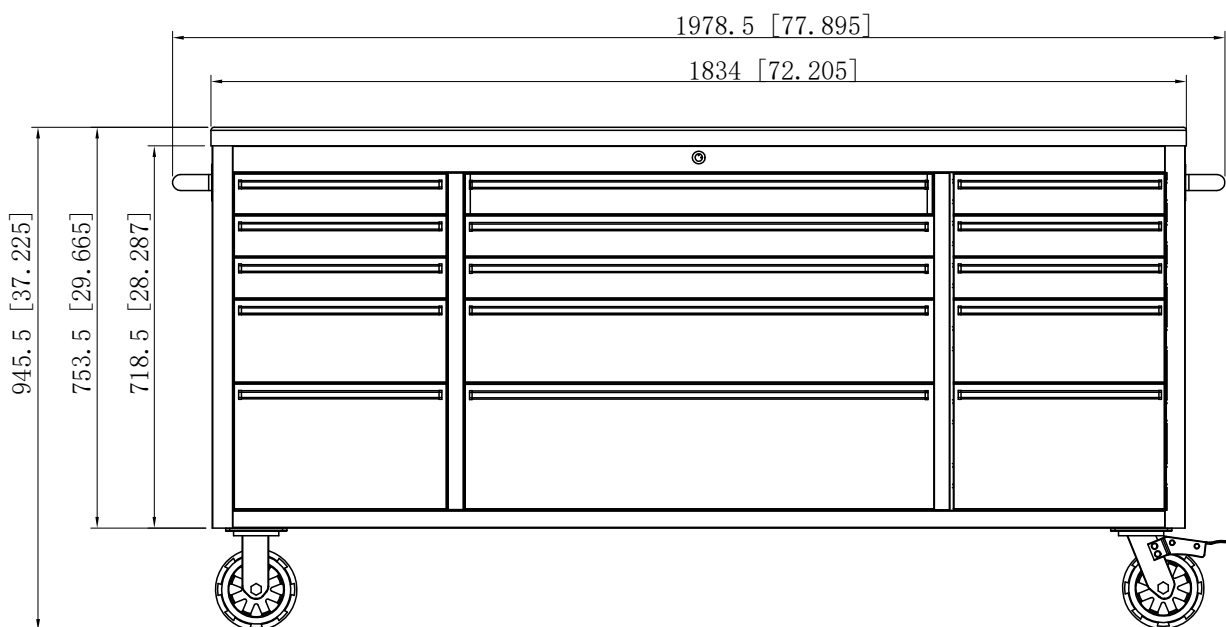
For your safety when attaching the anchor fixings, please note the following:

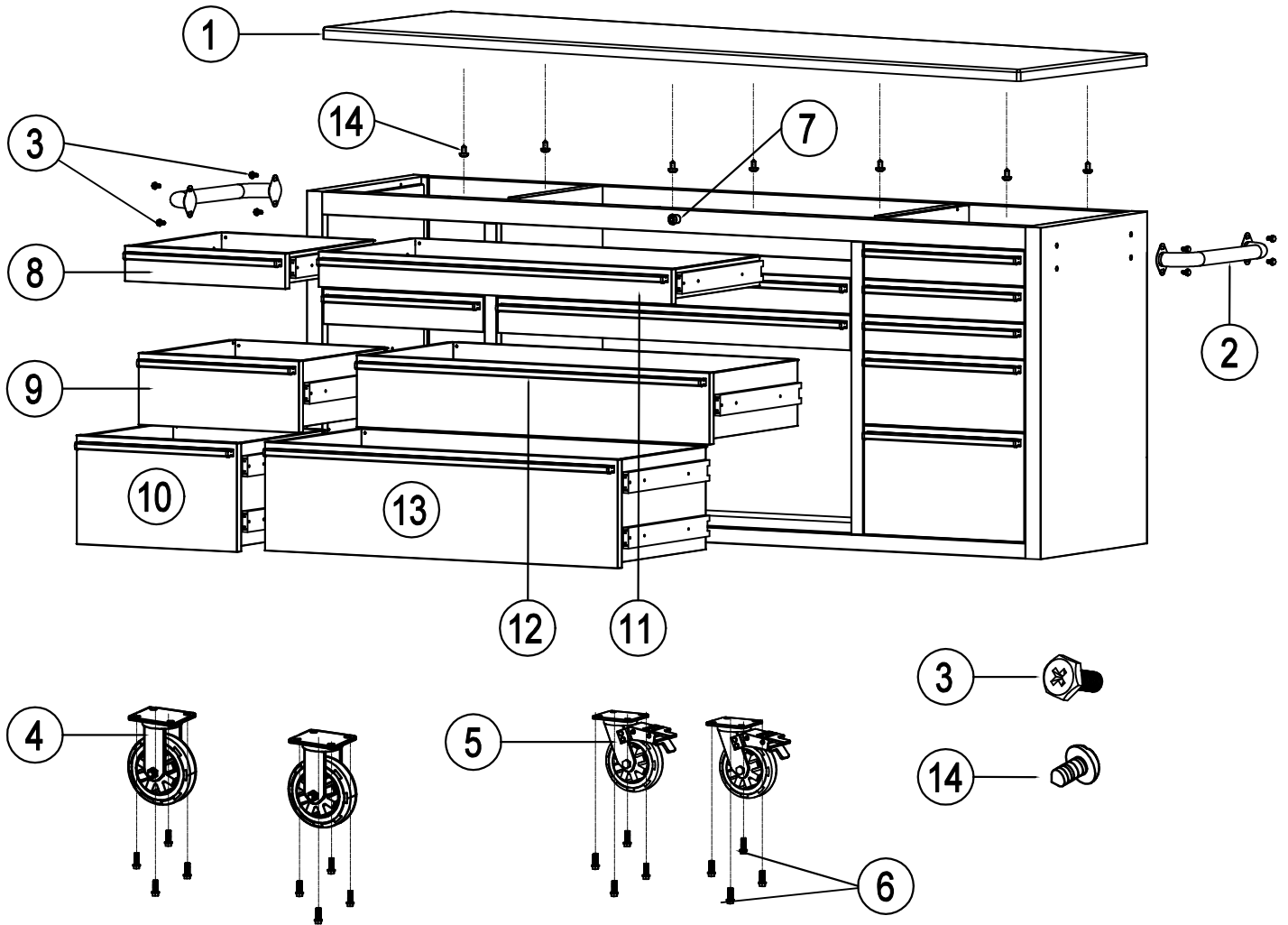
- Check for any electrical wires or plumbing inside the wall before drilling any holes (If you are unsure, please seek professional advice from a qualified tradesperson).
- Walls are constructed from different materials, for example, masonry (solid brick) or plasterboard lined cavity walls (hollow). It is important that you use the appropriate fixings for your wall type.

**Installation for Brick, Masonry Wall and Plaster Wall**



## DIMENSIONS OF THE TOOL CHEST





Sequence #	PART#	DESCRIPTION	QTY
1	128115001000001	Bench Top	1
2	129115009000001	Handle	2
3	113011009000022	1/4*0.47in Hex Bolt	8
4	129115001000030	Rigid caster	2
5	129115001000015	Swivel caster(W/brake)	2
6	113011009000021	3/8*0.98in Hex Bolt	16
7	129115004000004	Lock and Key	1
8	220115003P00018	Upper Drawer(L/R)	6
9	220115003P00019	Middle Drawer(L/R)	2
10	220115003P00011	Bottom Drawer(L/R)	2
11	220115003P00020	Upper Drawer(M)	3
12	220115003P00021	Middle Drawer(M)	1
13	220115003P00008	Bottom Drawer(Bottom)	1
14	113031025000028	ST4.8*L17Hex Bolt	21
A	122115049000001	Anti-tip Bracket	2
B	121115012000001	Plastic Anchor+Drywall Screw	2
D			
C	113003003000027	Washer	2
E	113011009000022	1/4*0.47in Hex Bolt	4