

COOK LIKE A GOD

INSTALLATION GUIDE

VENTILATION ARH T MODELS

ARH30T | ARH36T

THOR
K I T C H E N[®]

IMPORTANT SAFETY NOTICE

READ AND SAVE THESE INSTRUCTIONS

WARNING - TO REDUCE THE RISK OF FIRE OR ELECTRIC SHOCK, DO NOT USE THIS FAN WITH ANY SOLID-STATE CONTROL DEVICE.

CAUTION - For General Ventilating Use Only. Do Not Use To Exhaust Hazardous Or Explosive Materials And Vapors.

WARNING - TO REDUCE THE RISK OF FIRE, ELECTRIC SHOCK, OR INJURY TO PERSONS, OBSERVE THE FOLLOWING:

- a) Use this unit only in the manner intended by the manufacturer. If you have questions, contact the manufacturer.
- b) Before servicing or cleaning unit, switch power off at service panel and lock the service disconnecting means to prevent power from being switched on accidentally. When the service disconnecting means cannot be locked, securely fasten a prominent warning device, such as a tag, to the service panel.

WARNING - TO REDUCE THE RISK OF A RANGE TOP GREASE FIRE:

- a) Never leave surface units unattended at high settings. Boilovers cause smoking and greasy spillovers that may ignite. Heat oils slowly on low or medium settings.
- b) Always turn hood ON when cooking at high heat or when flambeing food (i.e. Crepes Suzette, Cherries Jubilee, Peppercorn Beef Flambe').
- c) Clean ventilating fans frequently. Grease should not be allowed to accumulate on fan or filter.
- d) Use proper pan size. Always use cookware appropriate for the size of the surface element.

WARNING - TO REDUCE THE RISK OF INJURY TO PERSONS IN THE EVENT OF A RANGE TOP GREASE FIRE, OBSERVE THE FOLLOWING^a:

- a) SMOTHER FLAMES with a close-fitting lid, cookie sheet, or metal tray, then turn off the burner. BE CAREFUL TO PREVENT BURNS. If the flames do not go out immediately, EVACUATE AND CALL THE FIRE DEPARTMENT.
- b) NEVER PICK UP A FLAMING PAN - You may be burned.
- c) DO NOT USE WATER, including wet dishcloths or towels - a violent steam explosion will result.
- d) Use an extinguisher ONLY if:
 - 1) You know you have a Class ABC extinguisher, and you already know how to operate it.
 - 2) The fire is small and contained in the area where it started.
 - 3) The fire department is being called.
 - 4) You can fight the fire with your back to an exit.

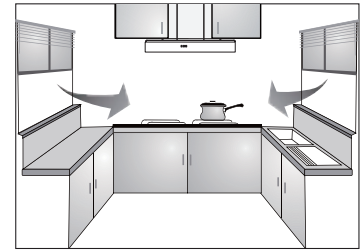
^a Based on "Kitchen Firesafety Tips" published by NFPA.

WARNING - TO REDUCE THE RISK OF FIRE, ELECTRIC SHOCK, OR INJURY TO PERSONS, OBSERVE THE FOLLOWING:

INSTALLATION GUIDELINES

1. Location

- Air turbulence from window/door may reduce the effectiveness of hood. Suggest to close window/door before using hood. (FIG. 1)
- The smoke has to rise up to 10 inches from cook top in order to reach hood's suction efficiency range.



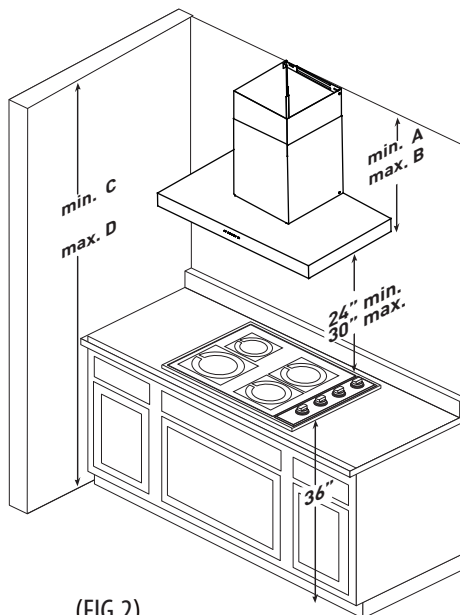
(FIG.1)

2. Exhaust duct

- 6" diameter ridged exhaust duct is recommended to use in order to maximize suction efficiency.
- Before installing the hood, please apply Aluminum tape or duct adhesive to the collar and securely attach it to the top of vent hood. Install the vent hood and exhaust duct to the plastic collar and seal with Aluminum tape or duct adhesive.

3. Position

- The installation height is measured vertically from center of aluminum filter of hood to the top of the cook top.
- The min height is 24 inches and the max installation height is 30 inches for gas hob. (FIG. 2)
- Avoid left-right or front-dropped inclination.



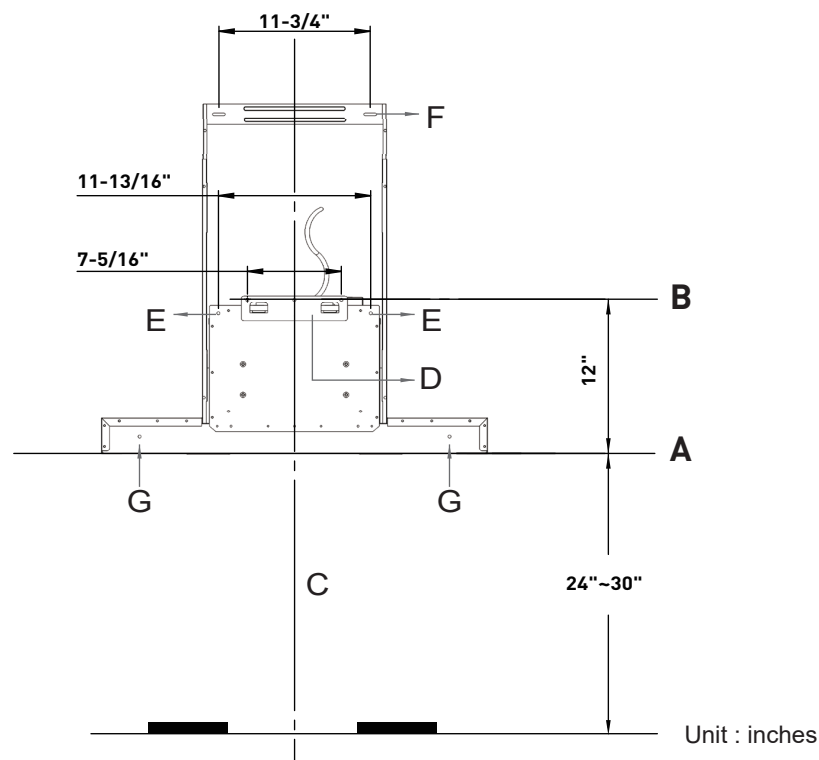
(FIG.2)

Lorem ipsum

Hood Heights	Standard Duct Cover
minimum ducted (A)	27-3/16"
maximum (B)	43-1/16"
Ceiling Heights	
minimum ducted (C)	87-3/16"
maximum (D)	109-1/16"

INSTALLATION PROCEDURES

1. Take out the appliance from the box and check the List of Material.
2. Mark a line A as shown in below diagram, the distance between the bottom of the hood to the top of cook top is 24~30inches.
3. Draw and mark a center vertical line "C" on the wall.
4. Mark hood height line B. (12" from line A).
5. Mark mounting screw holes on line B, 3-41/64" apart from the center line (on right and left).
6. Adjusting the hanging piece (D) level, use (3) #8x1-1/2" wood screws to lock to the screw marks on the B line.
7. Remove the (2) aluminum grease filters.
8. Hang hood into the mounting bracket on the wall (Step 6). Adjust the hood to make sure that it is level, use (2) #8x1-1/2" wood screws into hood body holes (E).
9. Center and attach duct cover mounting bracket (F) to wall.
10. Install power cord and duct. Seal duct with tape.
11. Turn on the hood and check for air leaks around duct tape.
12. Extend inner (top) duct cover upwards and secure to duct cover bracket using (2) M4 x 12 screws.
13. Fasten (2) #8x1-1/2" wood screws and (2) 5x12x1T washers into inside hood body holes (G).
14. Reinstall aluminum grease filters.



WELCOME TO THE CLUB

You chose THOR Kitchen to enhance your culinary journey and we're stoked to have you in the club. Think of it as a secret society of really savvy people, such as yourself, choosing professional power and performance at an affordable price.



Register your product by following the steps below.

WARRANTY REGISTRATION



01 Scan the QR code or visit
thorkitchen.com/warranty



02 Input your product info
and select register



03 You're done.
Let's get cookin'.

WARRANTY



NEED PARTS?

