



Product: 36 Inch Professional French Door Refrigerator with Ice and Water Dispenser

Model Number: TRF3601FD

TECHNICAL DETAILS

Appliance Type	Refrigerator
Color/Finish	Stainless Steel
Net Capacity	21.6 cu. ft.
Refrigerator Capacity	12.4 cu. ft.
Flex Drawer Capacity	2.63 cu. ft.
Freezer Capacity	6.6 cu. ft.
Refrigerator Temp	1°C/34°F to 7°C/44°F
Freezer Temp	-22°C/-7°F to -14°C/7°F
Flex Drawer Temp	24°F - 41°F (Meat -1°C/30°F Beverage 1°C/34°F Deli 3°C/37°F Wine 5°C/41°F)
Cooling System	Triple
Noise Level	45 db

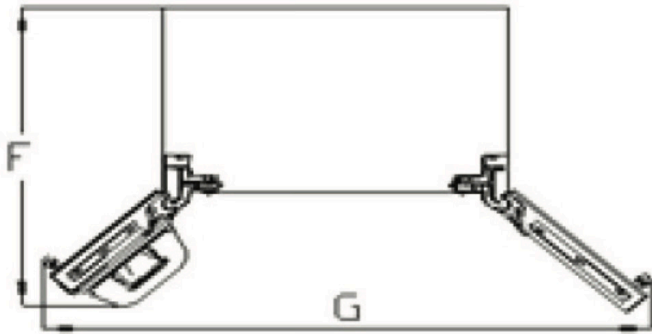
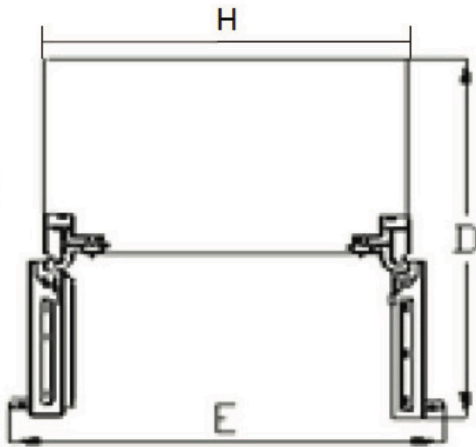
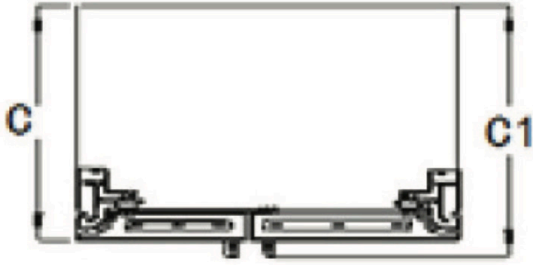


FEATURES & BENEFITS

- + **Storage Space:** Generous 21.6 cu. ft. of flexible storage space.
- + **Flex Drawer:** Choose precise temperatures for meats, veggies, beverages and even your favorite bottle of wine.
- + **Crisper Drawers:** Two humidity controlled crisper drawers provide flexible storage space and keep produce fresh longer.
- + **Triple-Tech Cooling System:** Triple-tech cooling system controls the temperature of each compartment with a separate airflow, increasing humidity levels and reducing frost build up.
- + **Counter-Depth:** Maximize your kitchen space by taking up less room than a standard depth refrigerator and enjoy clean design with a virtually seamless transition with your countertop.
- + **Door Storage:** Gallon door storage provides extra space for large containers, like milk and juice.
- + **Ice and Water Dispenser:** Keep cool with the in-door ice and water dispenser that has a dedicated water filter replacement reminder and an option for cubed or crushed ice.
- + **Showcase LED lighting:** LED lighting positioned throughout the interior for better visibility of food inside the refrigerator.
- + **Adjustable Racks and Shelves:** Adjustable racks and retractable shelves are designed to provide a variety of configurations to fit wide and tall items with ease.
- + **Super Freezing and Cooling Function:** Keep food fresh by accelerating the freezing and cooling process of a freshly stocked freezer or refrigerator by dropping temperatures to the coldest settings within 24 hours.
- + **Individual Ice Maker Cooling Control:** The separation of cooling controls seals the ice maker system and keeps odors out to keep your ice from smelling or tasting like the other items in your refrigerator.
- + **Freezer Drawers:** Two separate freezer drawers for easy and organized access to the things you need.
- + **Water Filtration:** Impurities are removed from the water with a replaceable filter.
- + **Automatic Ice Maker:** Automatic ice maker produces 4.4 lbs. a day and storage allows for 1.7 lbs.
- + **Stainless Steel Finish:** Beautiful, easy-to-clean stainless steel finishes are fingerprint and smudge resistant.
- + **Door Alarm:** Refrigerator door alarm notifies you if the door is left ajar for too long.

 **WARRANTY: 2 YEARS PARTS AND LABOR**





PRODUCT DIMENSIONS + WEIGHT

Product Size (WxDxH)	35 13/16" x 29" x 69 13/16"
Carton Size (WxDxH)	38 3/16" x 30 5/8" x 72 3/8"
Loading Quantity 40HQ	48 Pieces
[A] Height to Door	69 3/16"
Height to Hinge	69 3/4"
Height to Top of Case	68 9/16"
[B] Front Width	35 13/16"
[C1] Depth with Handles	30 15/16"
[C2] Depth without Doors	24 7/16"
[C] Depth with Doors (Exclude Handle)	29"
[D] Door Open 90° Depth	43 3/16"
[E] Door Open 90° Width	44 1/4"
[F] Door open 122° Depth	42 3/16"
[G] Door open 122° Width	63 5/8"
[H] Rear Width	35 11/16"

PRODUCT WEIGHT

Gross Weight	361.91 lbs
Net Weight	339.86 lbs

