

FEATURES & BENEFITS



- ⚡ **Powerful Performance** - Boasting a 1000-watt output with 10 power levels for precision cooking control.
- ⚡ **Spacious Storage** - 1.55 cu ft Stainless Steel Cavity for easy cleaning and spacious design
- ⚡ **Ceramic and Enamel Turntable** - 14.1 inch turntable can accommodate a variety of different container shapes and sizes.
- ⚡ **Cooking Options** - Equipped with a convection fan, broiler, and baking elements for versatile culinary adventures.
- ⚡ **Sleek Design** - Stainless steel built-in cabinet design features a full touch LCD display that's easy to operate and clean.

PERFORMANCE

Microwave Output Power	1000W
Microwave Input Power	1750W
Broil Element	1750W
Convection Element	1700W



TECHNICAL DETAILS

Color/Finish	Stainless Steel
Capacity	1.6 cu. ft.
Display	Full Touch LCD
Cavity	Stainless Steel
Enamel Turntable Diameter	14.1 inch
Plug Type	3-Prong. 120V, 60Hz

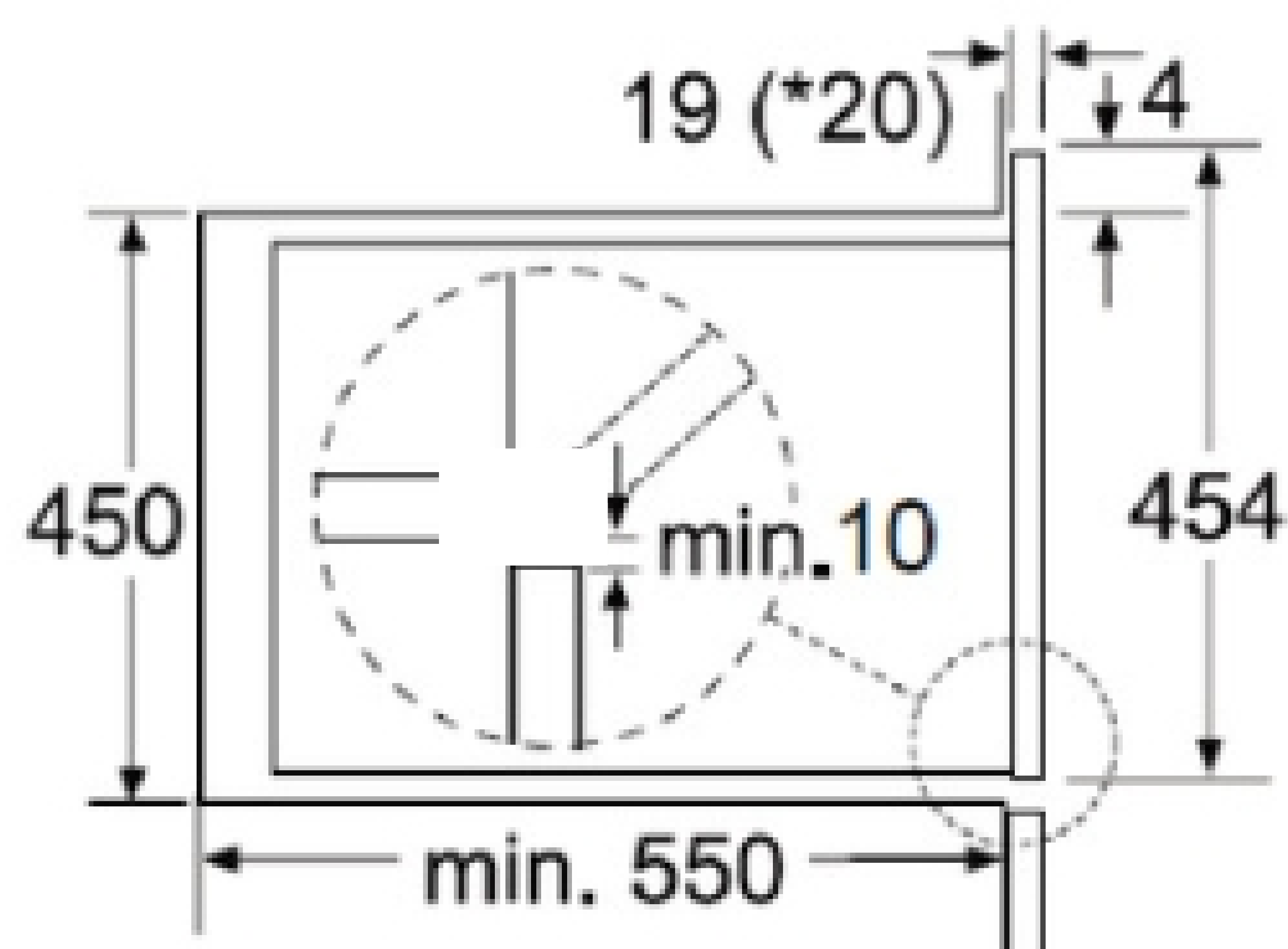
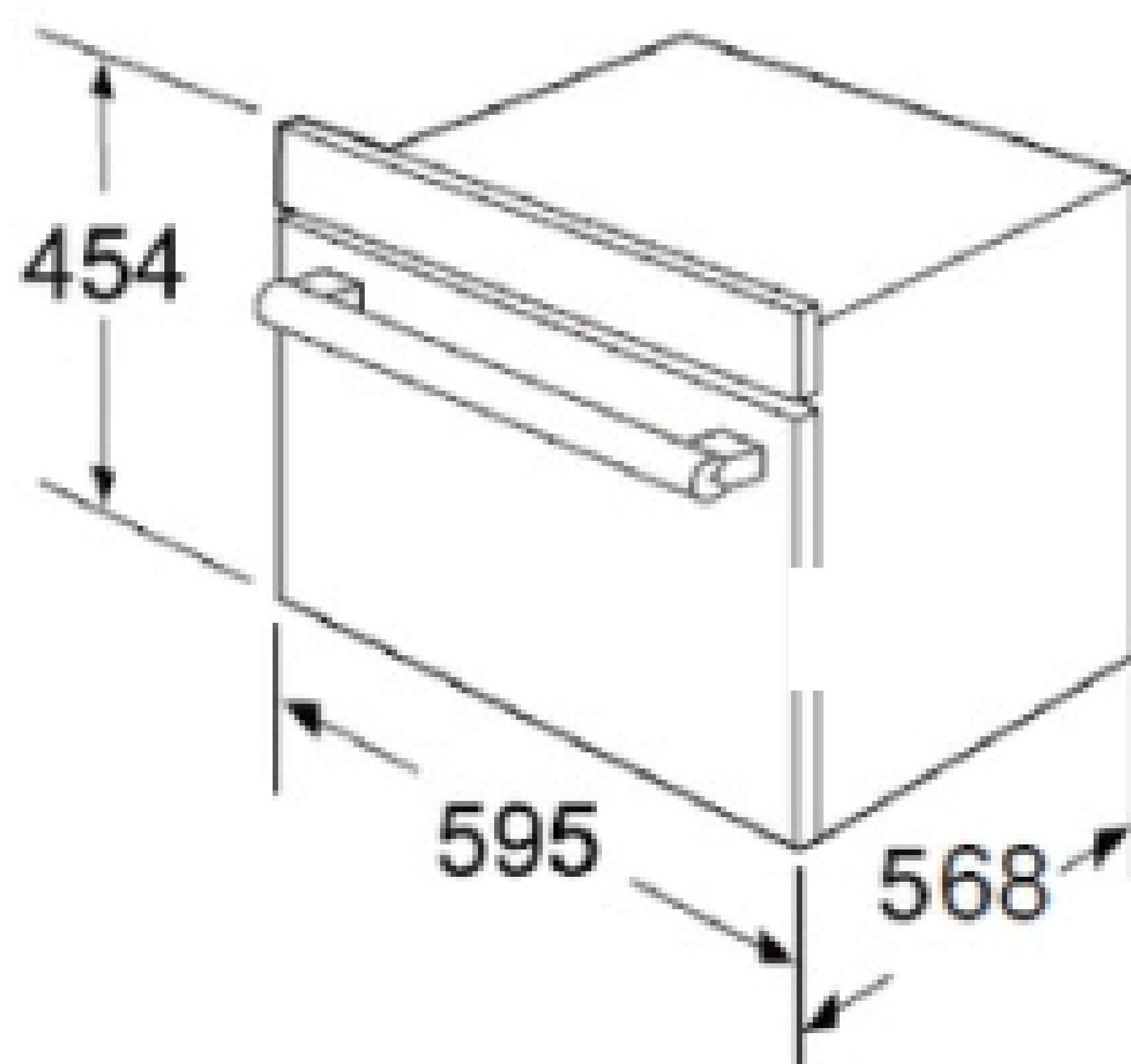


2-YEAR PARTS & LABOR WARRANTY

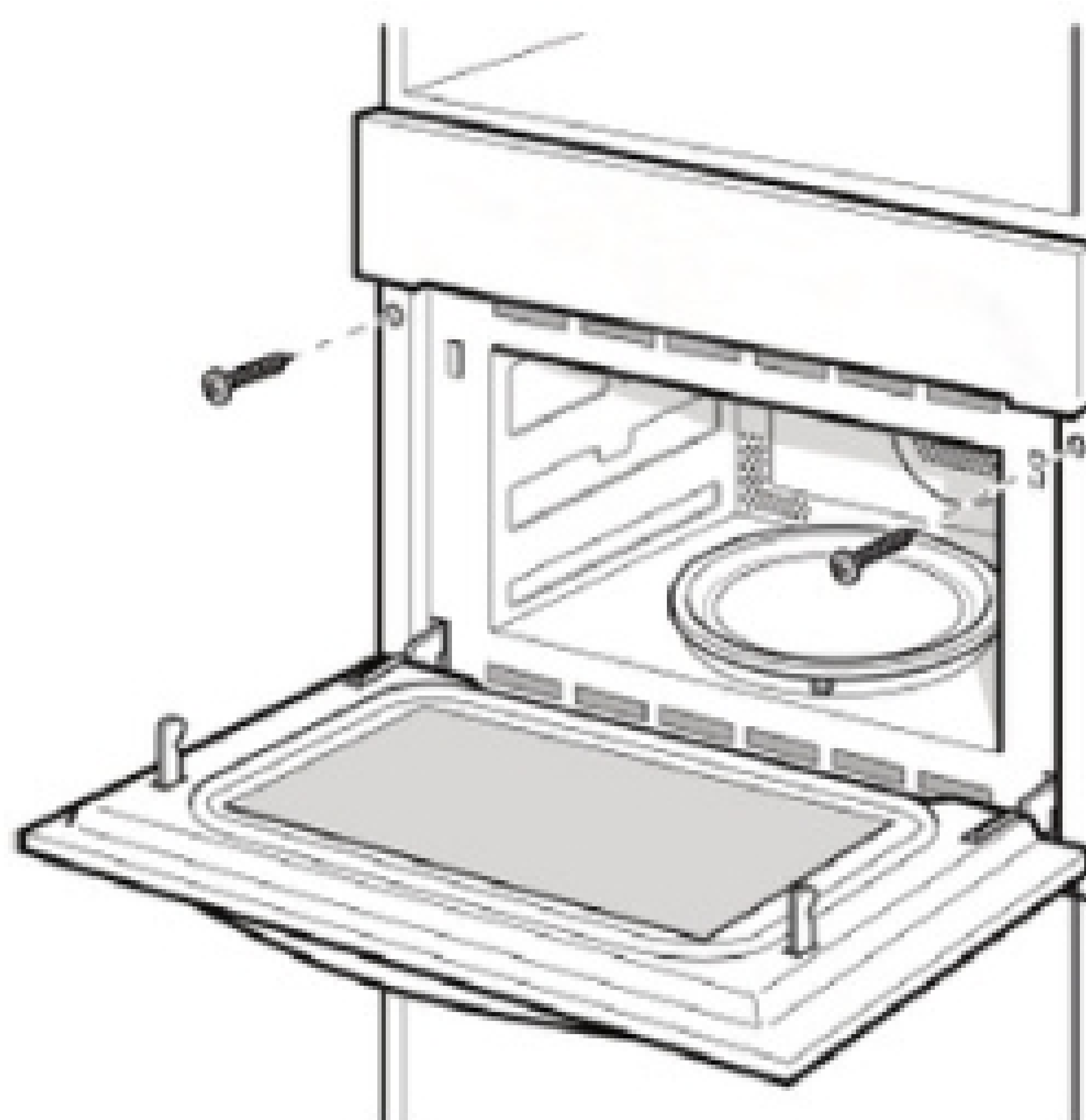


DIMENSIONS & WEIGHT

Product Width	23 3/8 in.
Product Depth	22 1/16 in.
Product Height	17 7/8 in.
Gross Weight (lbs.)	92.32 lbs.
Net Weight (lbs.)	81.79 lbs.



* 20 mm for metal fascias



CUT SHEETS

DIMENSIONS & WEIGHT

Cut-Out Width	23 3/8 in.
Cut- Depth	23 1/4 in.
Cut-Out Height	17 3/4 in.

