



INSTALLATION INSTRUCTIONS

PROFESSIONAL INDUCTION RANGES

RSI30 | RSI30B

RSI36 | RSI30B

INSTALLATION INSTRUCTIONS

GORDON RAMSAY COLLECTION BY THOR KITCHEN

RSI MODELS

INDUCTION RANGE

RSI30 | RSI30B | RSI36 | RSI36B

THOR
K I T C H E N[®]

TABLE OF CONTENTS

IMPORTANT INSTRUCTION	4
1.1 Critical safety	4
1.2 Signal words explanation	5
1.3 Intended use	5
1.4 IMPORTANT INSTRUCTION	6
INSTALLATION	9
2.1 Important note to the installer	9
2.2 Clearances and dimensions	9
2.3 Install the handle	13
2.4 Attach/detach the oven door	14
2.5 Attach/detach the kickplate	16
2.6 Electrical connection for electric range (RSI30/RSI30B,RSI36/RSI36B)	18
2.7 Install the back spacers	21
2.8 Install anti-tip device	22
2.9 Conditioning prior to first time use	24
TROUBLESHOOTING	25
WARRANTY	25

IMPORTANT INSTRUCTION

1.1 Critical safety information

WARNING: If the information in these instructions is not followed exactly, a fire or explosion can result causing property damage, personal injury, or death.

- Do not store or use gasoline or other flammable vapors and liquids in the vicinity of this or any other appliance.
- **WHAT TO DO IF YOU SMELL GAS:**
 - Do not try to light any appliance.
 - Do not touch any electrical switch.
 - Do not use any phone in your building.
 - Immediately call your gas supplier from a neighbor's phone. Follow the gas supplier's instructions.
 - If you cannot reach your gas supplier, call the fire department.
- Installation and service must be performed by a qualified installer, service agency, or the gas supplier.

⚠ WARNING

Never Operate the Top Surface Cooking Section of this Appliance Unattended.

- Failure to follow this warning statement could result in fire, explosion, or burn hazard that could cause property damage, personal injury, or death.
- If a fire should occur, keep away from the appliance and immediately call your fire department.

DO NOT ATTEMPT TO EXTINGUISH AN OIL/GREASE FIRE WITH WATER.

⚠ WARNING

NEVER use this appliance as a space heater to heat or warm the room. Doing so can result in carbon monoxide poisoning and overheating of the oven.

IMPORTANT INSTRUCTION

⚠ WARNING

- A child or adult can tip the appliance and be killed.
- Install the anti-tip device to the wall/floor. Verify the anti-tip device has been properly installed and engaged with the back of the appliance.
- Engage the appliance to the anti-tip device by pushing that appliance all the way into the installation location. Ensure the anti-tip device is re-engaged when the appliance is moved.
- Re-engage the anti-tip device if the appliance is moved. Do not operate the appliance without the anti-tip device in place and engaged.
- See installation instructions for details.
- Failure to do so can result in death or serious burns to children or adults.

To check the installation of the anti-tip device:

1. Remove any items on the cooktop.
2. Grasp the top rear edge of the appliance and carefully attempt to tilt it forward.
3. Verify that the anti-tip device is engaged.

1.2 Signal words explanation

The following signal words are used in this manual

⚠ DANGER	This signal word indicates a hazardous situation which, if not avoided, will result in death or serious injury.
⚠ WARNING	This signal word indicates a hazardous situation which, if not avoided, could result in death or serious injury.
⚠ CAUTION	This signal word indicates a hazardous situation which, if not avoided, could result in minor or moderate injury.
CAUTION	This signal word indicates a hazardous situation which, if not avoided, could result in property damage.
NOTICE	This signal word is a preferred signal word to address tips and practices not related to personal injury.

1.3 Intended use

- This appliance is intended for cooking and preparing food.
- This appliance is intended for household use only.
- This appliance is intended to be used in dry indoor areas only.
- Only use the appliance as mentioned in this manual. Any other use is considered improper and may result in damage to property or injury to persons.
- Potential injury from improper use.
- The manufacturer or vendor cannot be held liable for damages or injury incurred through improper or incorrect use.

IMPORTANT INSTRUCTION

1.4 IMPORTANT INSTRUCTION

For all models

This installation instructions is part of this appliance, and contains important information on setup and use. Read this manual carefully, especially the **IMPORTANT INSTRUCTION chapter**, before using the appliance. Failure to do so may result in personal injury and/or damage to the appliance.

- Keep this manual for future use and reference. Make sure to include this manual when passing the appliance on to third parties. If you require a digital copy of this manual, please contact customer service.
- The appliance must be installed in accordance with local codes. In the absence of local codes, follow ANSI Z223.1/NFPA 54 standards in the U.S. or CSA B149.1 in Canada.
- It is recommended to electrically ground the appliance during installation in accordance with local codes. If local codes are not available, follow NFPA 70 or CSA C22.1 standards in Canada.
- The ventilation area is located at the back of the appliance. The back of the appliance should not be in direct contact with a wall/surface. Install the back spacers to the back of the appliance to maintain a proper area for ventilation.
- In the event of a power failure, do not attempt to use the appliance. If the power fails, always turn the oven off. If the oven is not turned off and the power returns, the oven may begin to operate again. Food left unattended could catch fire or spoil.
- The maximum depth of cabinets installed above the cooktop is 13" (33 cm).
- Seal any openings in the wall behind the appliance and in the floor under the appliance.
- If there is a cabinet above the appliance, install a noncombustible material on the bottom of that cabinet in accordance with local codes. If local codes are not available, follow ANSI Z223.1/NFPA 54 or, CSA B149.1. in Canada
- Proper Installation - Be sure your appliance is properly installed and grounded by a qualified technician.
- Never Use Your Appliance for Warming or Heating the Room.
- Do Not Leave Children Alone - Children should not be left alone or unattended in area where appliance is in use. They should never be allowed to sit or stand on any part of the appliance.
- Wear Proper Apparel - Loose-fitting or hanging garments should never be worn while using the appliance.
- User Servicing - Do not repair or replace any part of the appliance unless specifically recommended in the manual. All other servicing should be referred to a qualified technician.
- Storage in or on Appliance - Flammable materials should not be stored in an oven or near surface units.
- Do Not Use Water on Grease Fires - Smother fire or flame or use dry chemical or foam-type extinguisher.
- Use Only Dry Potholders - Moist or damp potholders on hot surfaces may result in burns from steam. Do not let potholder touch hot heating elements. Do not use a towel or other bulk cloth.
- Use Proper Pan Size - The appliance is equipped with one or more surface units of different size. Select utensils having flat bottoms large enough to cover the surface unit heating element. The use of undersized utensils will expose a portion of the heating element to direct contact and may result in ignition of clothing. Proper relationship of utensil to burner will also improve efficiency.

IMPORTANT INSTRUCTION

- Never Leave Surface Units Unattended at High Heat Settings - Boilover can cause smoke and greasy spillovers that may ignite.
- Protective Liners - Do not use aluminum foil to line the surface of cooktop drip pan or oven bottoms. Improper installation of these liners may result in a risk of electric shock, fire or damage to the porcelain surface.
- Glazed Cooking Utensils - Only specific types of glass, glass-ceramic, ceramic, earthenware, or other glazed utensils are suitable for use on the cooktop, as they may break from sudden temperature changes.
- Utensil Handles Should Be Turned Inward and Not Extend Over Adjacent Surface units - To reduce the risk of burns, ignition of flammable materials, and spillage due to unintentional contact with the utensil, the handle of a utensil should be positioned so that it is turned inward, and does not extend over adjacent surface units.
- Use Caution When Opening Door - Let hot air or steam escape before removing or replacing food.
- Do Not Heat Unopened Food Containers - Build-up of pressure may cause container to burst and result in injury.
- Keep Oven Exhaust Vent Unobstructed.
- Placement of Oven Racks - Always place oven racks in the desired position while the oven is cool. If moving a rack while the oven is hot, ensure potholders do not touch the heating elements.
- Do Not Clean Door Gasket - The door gasket is essential for a good seal. Care should be taken not to rub, damage, or move the gasket.
- Do not use a protective coating to line the oven and do not use commercial oven cleaner unless Certified for use in a self cleaning oven.
- Clean only the parts as suggested in the manual.
- DO NOT TOUCH SURFACE UNITS OR AREAS NEAR SURFACES UNITS - Surface units may be hot even though they are dark in color. Areas near surface units may become hot enough to cause burns. During and after use, do not touch, or let clothing or other flammable materials contact surface units or areas near units until they have had sufficient time to cool. Among these areas are the surrounding areas of cook-top, drip-pan, burners and cooking grates.
- DO NOT TOUCH INTERIOR SURFACES OF OVEN - Interior surfaces of an oven become hot enough to cause burns. During and after use, do not touch, or let clothing or other flammable materials contact the interior surfaces of oven until they have had sufficient time to cool. Other surface of the appliance may become hot enough to cause burns - among these surface are oven vent openings and surfaces near these openings, oven doors, and windows of oven doors.

⚠ CAUTION

Risk of fire and damage! Do not leave food or cooking utensils, etc., in oven during the pyrolytic self cleaning mode of operation. Remove all items from the oven prior to initiating the cleaning cycle. Before initiating the cleaning cycle, wipe off all excessive spillage, food residue or debris that could potentially ignite. Maintain a safe distance from the appliance during the cleaning cycle and avoid placing any flammable items or materials near the appliance.

⚠ CAUTION

Risk of injury! Do not store items of interest to children in cabinets above a appliance or on the backguard of a appliance - children climbing on the appliance to reach items could be seriously injured.

IMPORTANT INSTRUCTION



WARNING

This appliance contains chemicals known to the State of California to cause cancer and/or reproductive harm, and birth defects or other reproductive harm. For more information go to www.P65Warnings.ca.gov.

For electrical appliances only (RSI30, RSI30B, RSI36,RSI36B)

- Do Not Cook on a Broken Cooktop - If the cooktop is broken, cleaning solutions and spillovers may seep through the cracks, posing a risk of electric shock. Contact a qualified technician immediately.
- Clean Cook-Top With Caution. Do Not clean cooktop when it's hot. - If a wet sponge or cloth is used to wipe spills on a hot cooking area, be careful to avoid steam burn. Some cleaners can produce noxious fumes if applied to a hot surface.

INSTALLATION

2.1 Important note to the installer

- Read all installation instructions included in this manual before installing the appliance.
- Remove all packing materials from the appliance before connecting it to the electric and/or gas supply.
- Adhere to all governing codes and ordinances during installation.
- Install the anti-tip device to the wall/floor. Verify the anti-tip device has been properly installed and engaged with the back of the appliance.
- Leave these instructions with the consumer for future reference.
- Important - Save for local electrical inspector's use.

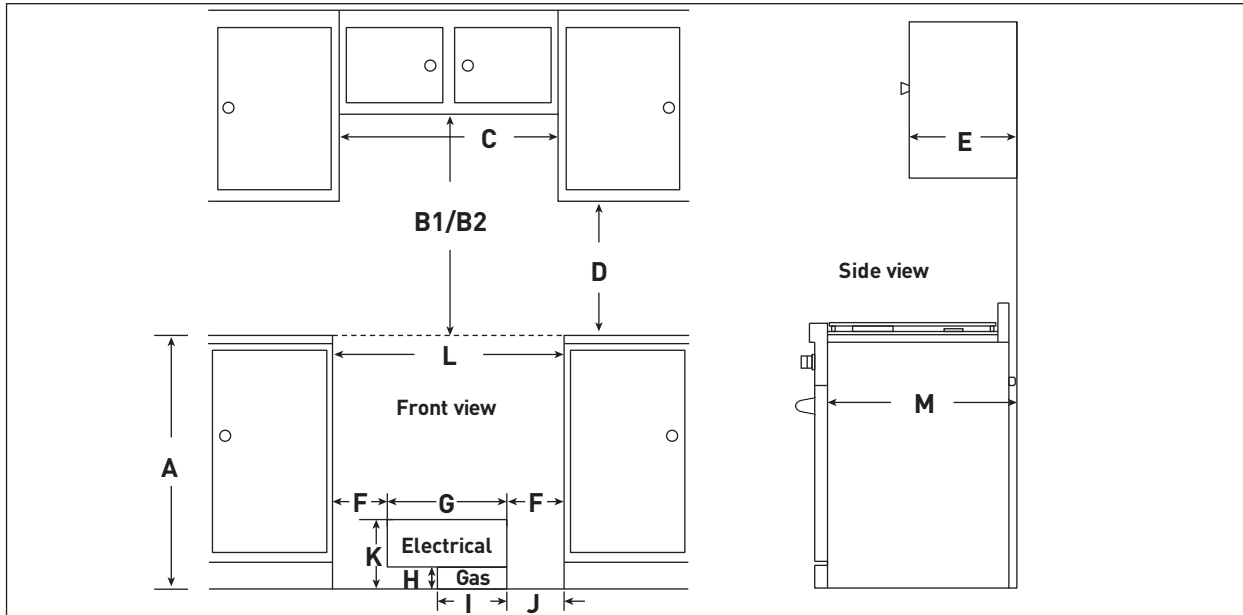
2.2 Clearances and dimensions

- Provide proper clearance between the appliance and adjacent combustible surfaces. These dimensions must be met for safe use of the appliance.
- The location of the electrical outlet and gas pipe opening may be adjusted to meet specific requirements.
- Seal any openings in the wall behind the appliance and in the floor under the appliance.
- If there is a cabinet above the appliance, install a noncombustible material on the bottom of that cabinet in accordance with local codes or, in the absence of local codes, with ANSI Z223.1/NFPA 54 or, in Canada, CSA B149.1.
- With the spacers installed, the appliance may be placed against the back wall.

INSTALLATION

Clearances

Clearances for cooktops with a cabinet on top

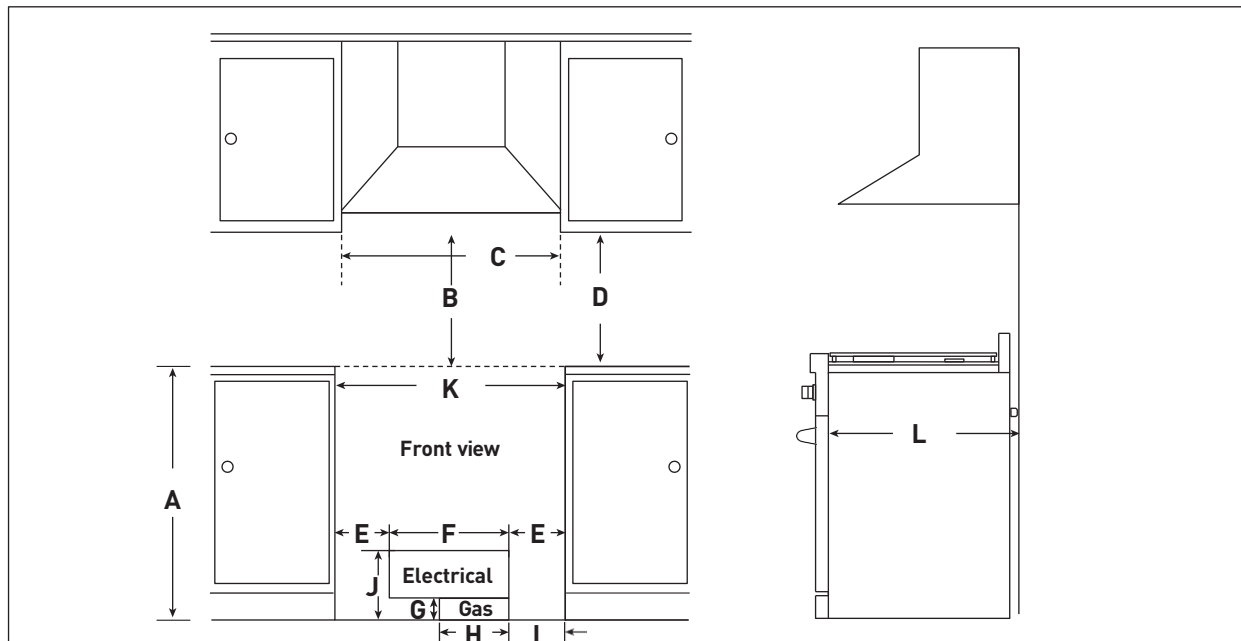


	RSI30/RSI30B	RSI36/RSI36B
A	36" (91.4 cm)	
B1	min 30" (76.2 cm)	
B2	min 24" (60.9 cm)	
C	30" (76.2 cm)	36" (91.4 cm)
D	18" (45.7 cm)	
E	13" (33 cm)	
F	5" (12.7 cm)	
G	20" (50.8 cm)	26" (66 cm)
H	-	
I	-	
J	-	
K	max 6" (15.24 cm)	
L	30" (76.2 cm)	36" (91.44 cm)
M	24 3/4" (62.8 cm)	

INSTALLATION

Legend	
A	Countertop height
B1	Minimum clearance above cooktop for unprotected cabinet bottom
B2	Minimum clearance above cooktop for protected cabinet bottom: Cabinet bottom has to be protected with no less than 6.4 mm thick flame retardant millboard covered with no less than No. 28 MSG sheet metal, 0.4 mm thick stainless steel, 0.6 mm thick aluminum or 0.5 mm thick copper.
C	Width of cabinet above cooktop
D	Clearance between cabinets and countertops
E	Cabinet depth
F	Clearance of the electrical component area from the side of the cabinet
G	Width of the electrical component area
H	Height of the gas connection area
I	Width of the gas connection area
J	Clearance of the gas connection area from the side of the cabinet
K	Recommended height of the electrical component area
L	Width of countertop cutout
M	Depth of countertop cutout

Clearances for cooktops with a hood on top



INSTALLATION

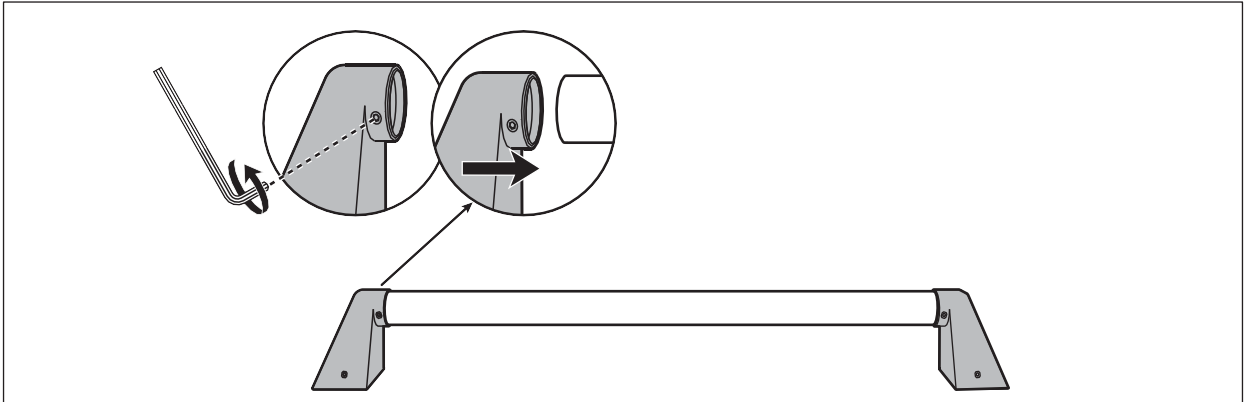
	RSI30/RSI30B	RSI36/RSI36B
A	36" (91.4 cm)	
B	min 30" (76.2 cm)	
C	30" (76.2 cm)	36" (91.4 cm)
D	18" (45.7 cm)	
E	5" (12.7 cm)	
F	20" (50.8 cm)	26" (66 cm)
G	-	
H	-	
I	-	
J	max 6" (15.24 cm)	
K	30" 76.2 cm)	36" (91.4 cm)
L	24 3/4" (62.8 cm)	

Legend	
A	Countertop height
B	Minimum clearance above cooktop
C	Width of hood above cooktop
D	Clearance between cabinets and countertops
E	Clearance of the electrical component area from the side of the cabinet
F	Width of the electrical component area
G	Height of the gas connection area
H	Width of the gas connection area
I	Clearance of the gas connection area from the side of the cabinet
J	Recommended height of the electrical component area
K	Width of countertop cutout
L	Depth of countertop cutout

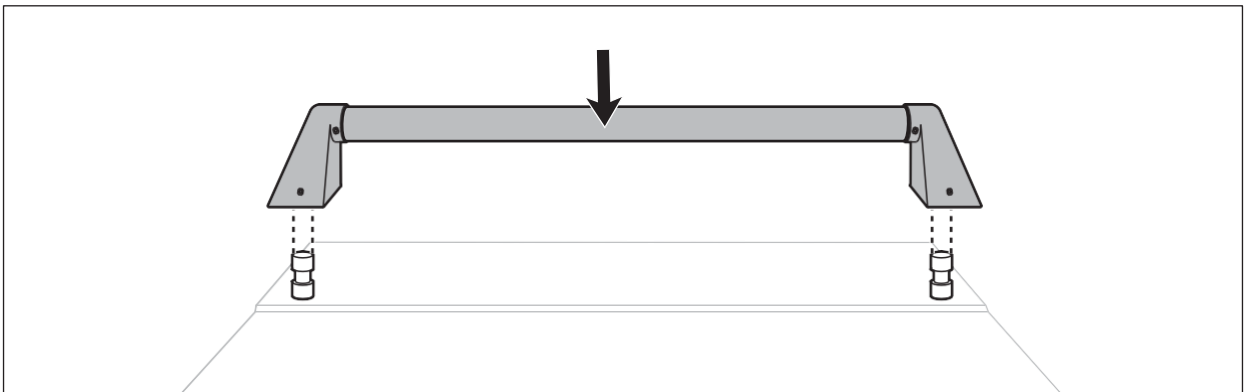
INSTALLATION

2.3 Install the handle

1. Attach door side brackets to both ends of the door handle.

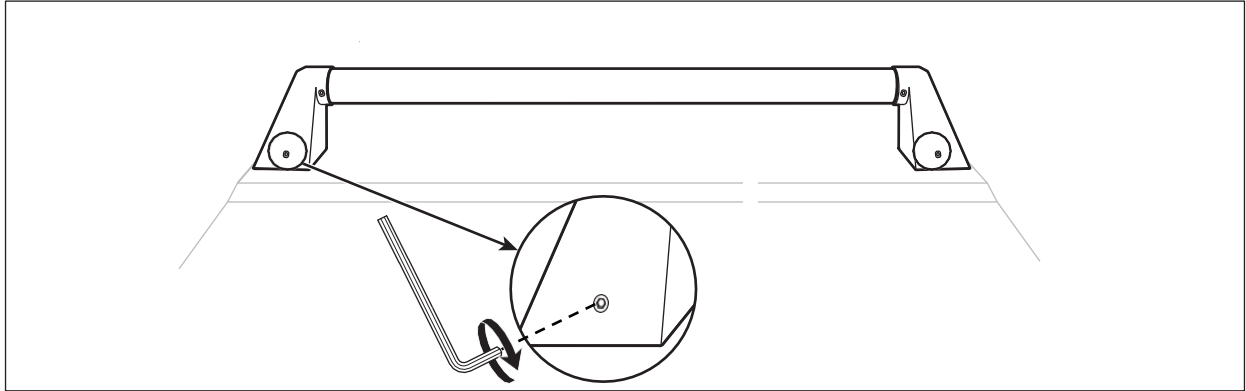


2. Place the assembled door handle onto the door pins on the oven door.



INSTALLATION

3. Tighten the pre-installed screws on the door side brackets with the hex key . Do not overtighten the screws.



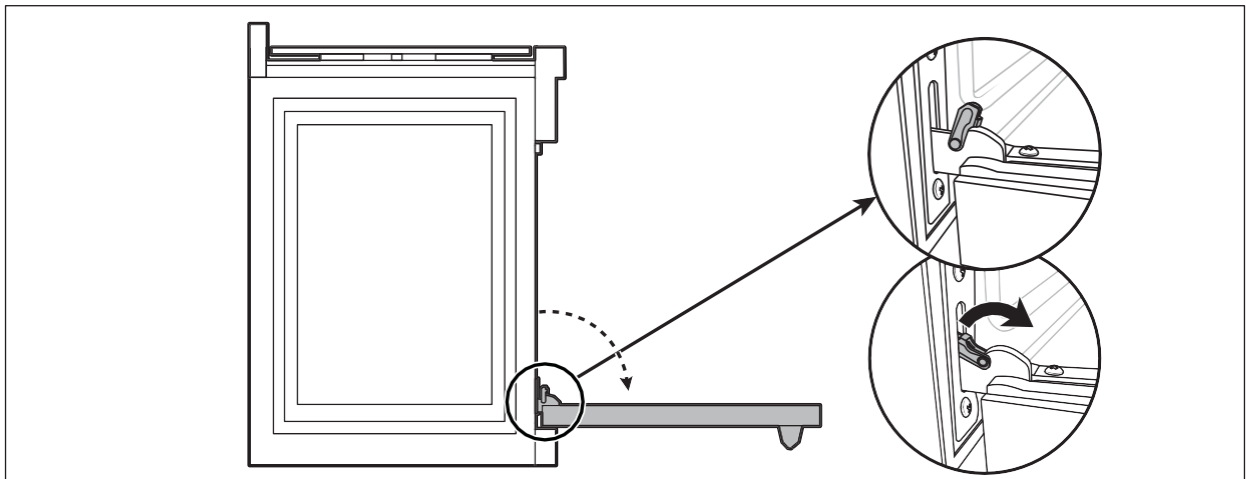
2.4 Attach/detach the oven door

NOTICE The oven door has multiple colors available (sold separately). Visit Thor kitchen website for further details.

- The oven door may be too big or heavy. It is recommended to have 2 people work together for attaching/detaching the oven door.
- Do not carry or hold the removed oven door by the door handle. It cannot support the weight of the oven door .

Detach

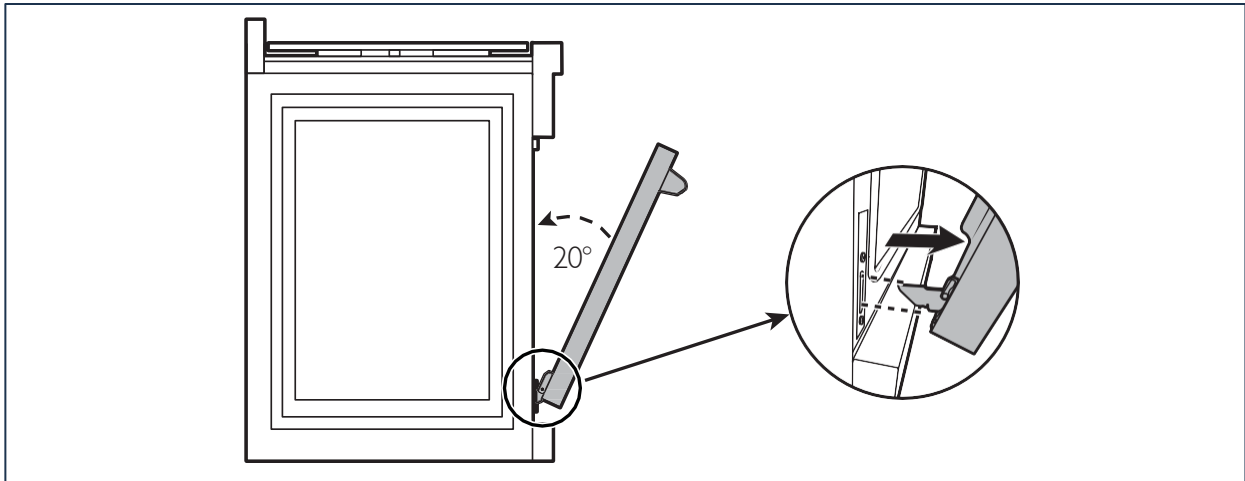
1. Fully open the oven door.
2. Unlock the hinge lock on both sides by rotating them fully towards the oven door.



3. Firmly grasp both sides on the oven door.

INSTALLATION

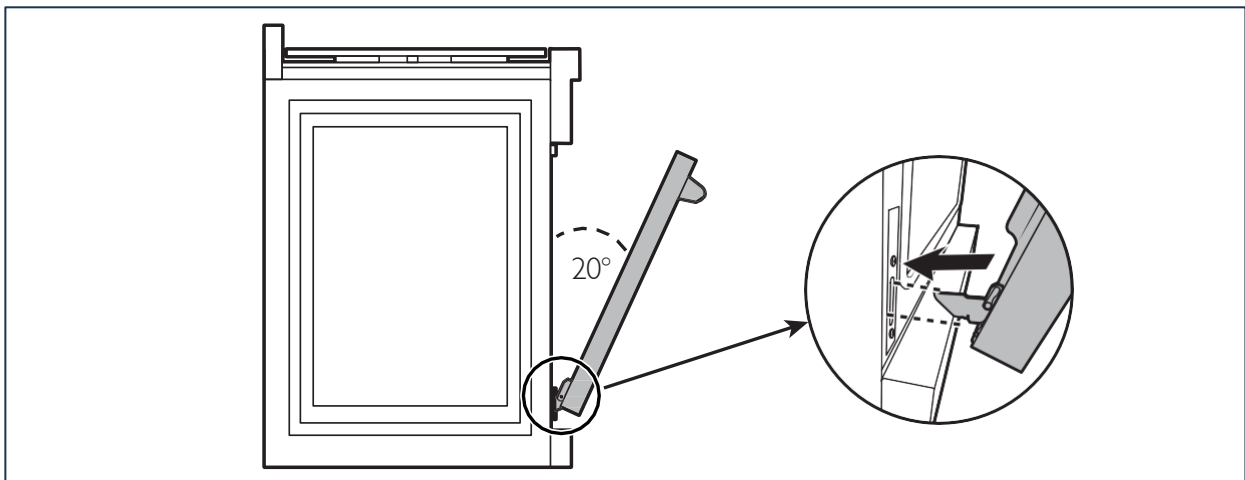
4. Close the oven door until it is approximately at a 20° angle. When the oven door is at the correct angle position, the hinges arms release from the appliance.



5. Take out the oven door by lifting it upwards and outwards.

Attach

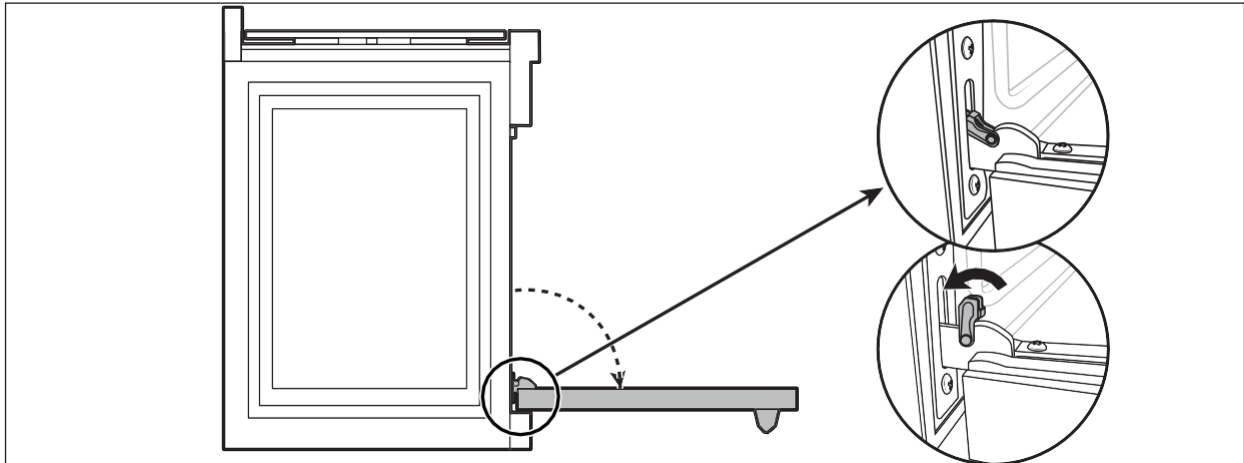
1. Firmly grasp both sides on the oven door .
2. With the door at the same 20° angle as the detach position, slide the hinge arms into the bottom edge of the hinge slots on the appliance .



3. The notch in the hinge arms must be fully inserted into the bottom edge of the slots.
4. Open the door fully. If the door does not open fully, the hinge arms are not inserted correctly in the bottom edge of the hinge slots.

INSTALLATION

5. Re-engage the hinge locks, rotating them back toward the slots in the oven .



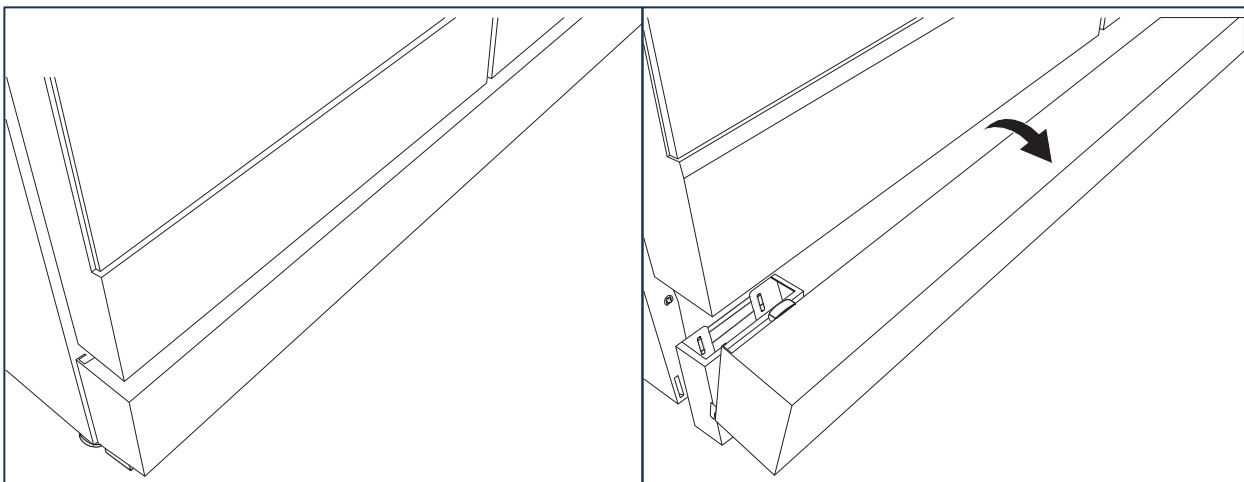
6. Close the oven door .

2.5 Attach/detach the kickplate

NOTICE The kickplate has multiple colors available (sold separately). Visit Thor kitchen website for further details.

Detach

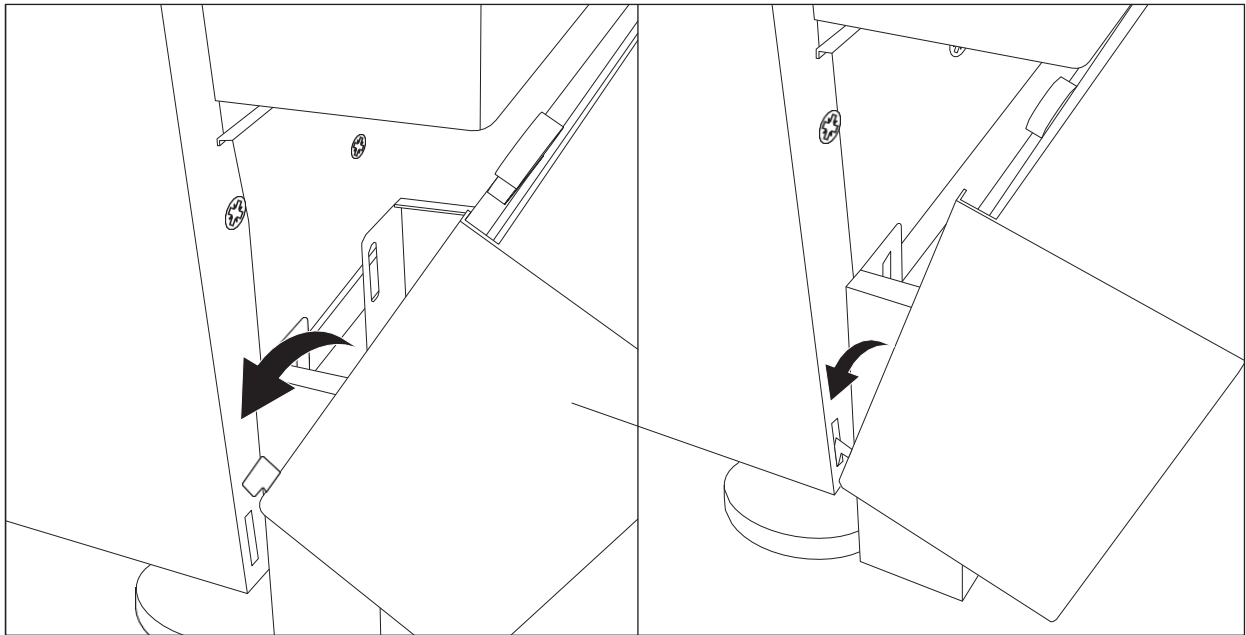
1. Tilt the kickplate backwards to release it from the magnets.
2. Lift the kickplate upwards to unhook it from the sides .



INSTALLATION

Attach

1. At a tilted angle, hook the kickplate to the slits on both sides of the appliance .
2. Rotate the kickplate upwards, the magnets snap it into place .



INSTALLATION

2.6 Electrical connection for electric range(RSI30/RSI30B,RSI36/RSI36B)

- This appliance must be supplied with the proper voltage and frequency, and connected to an individual properly grounded branch circuit, protected by a circuit breaker or fuse having amperage as specified on the rating label. The rating label is located on the right of the oven door.
- This appliance is manufactured ready to be installed with a single phase 4-wire power supply cord rated at 240 Volt, 50 Amps, rated at 194 °F (90 °C).
- This appliance can only be plugged into a standard 14-50R wall receptacle, Be sure the wall receptacle is within reach of range's final location.
- It is recommended to electrically ground the appliance during installation in accordance with local codes or, in the absence of local codes, with NFPA 70 or CSA C22.1.
- If the electrical service provided does not meet the above specifications, have a licensed electrician install an approved outlet.
- It is recommended to have the electrical wiring and hookup of the appliance connected by a qualified electrician. After installation, have the electrician explain where and how to locate and disconnect the appliance from power.
- Effective January 1,1996, the National Electrical Code requires that new constructions (not pre-existing) utilize a 4-conductor connection with an electric appliance. When installing an electric appliance in new construction, follow the **4-wire connection** section of this chapter.
- The outlet for the appliance should be located within the range of the appliance's power cord. Do not use an extension cord with this appliance.

Equipment required

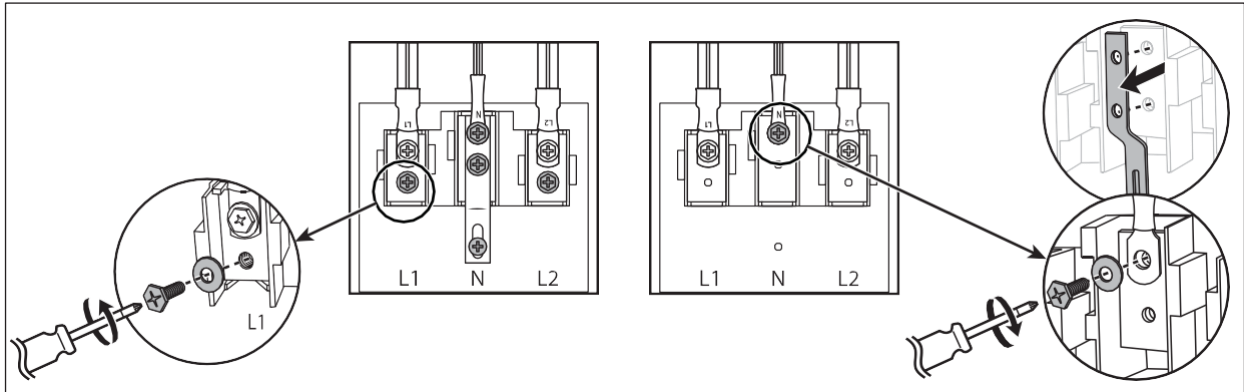
- Cross-head screwdriver
- 3 or 4 prong UL or CSA International Certified power cord (rated at 240 Volt, 50 Amps)

4-wire connection

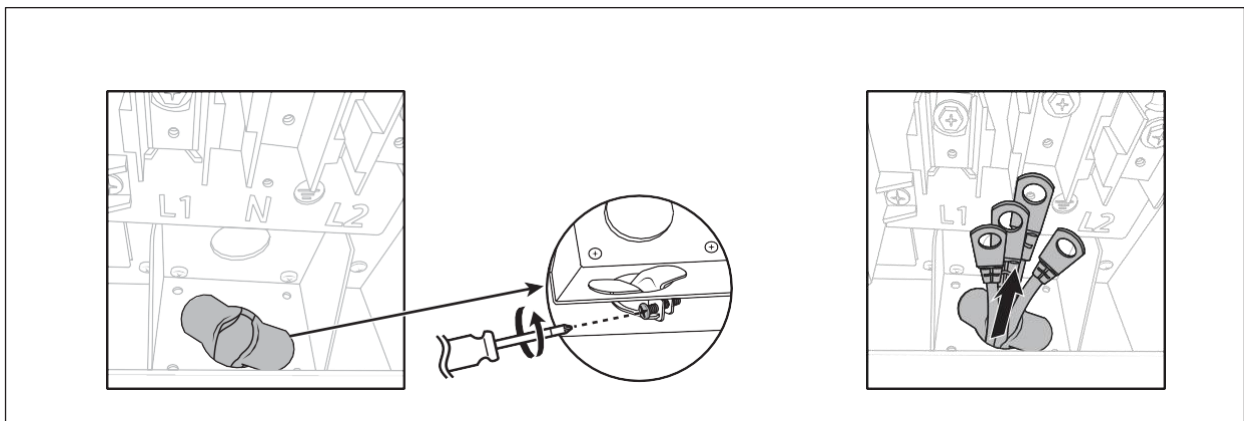
1. Loosen the screws on the terminal block cover and set the screws aside for later use.
2. Identify the corresponding terminals on the terminal block for each power cord wire: live (L1), live (L2), neutral (N), and ground (G).

INSTALLATION

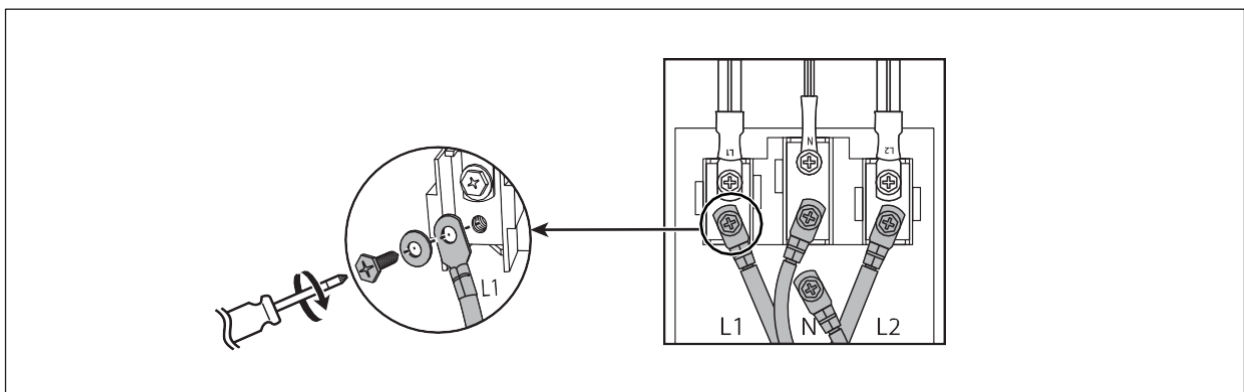
3. Remove the 4 lower terminal screws from the terminal block.



4. Remove the 2 upper screws of the neutral (N) terminal and take out the grounding strip.
5. Re-tighten the 2 upper screws of the neutral (N) terminal .



6. Loosen the screws on the strain relief .
7. Extend the power cord wire upwards through the strain relief from the bottom of the back panel .
8. Hook the ring terminals of the power cord wire into their designated terminals on the terminal block (e.g., live 1/2, neutral, and ground) and tighten the screws securely .

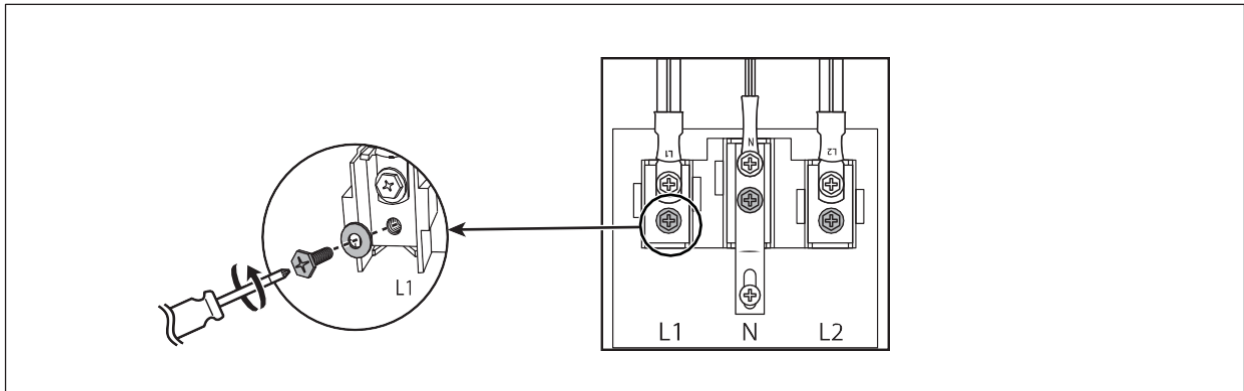


INSTALLATION

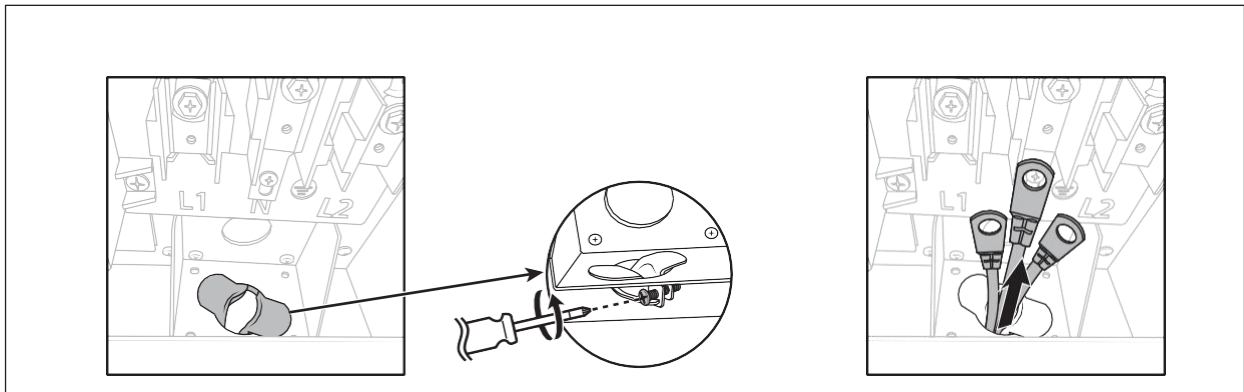
9. Ensure the ring terminals have good contact with the terminals on the terminal block .
10. Slightly push the power cord upwards to leave some slack above the strain relief , then tighten the screws on the strain relief .
11. Reinstall the terminal block cover and re-tighten the screws.

3-wire connection

1. Loosen the screws on the terminal block cover and set the screws aside for later use.
2. Identify the corresponding terminals on the terminal block for each power cord wire: live (L1), live (L2), and neutral (N).
3. Remove the 3 lower terminal screws (L1, L2, and N) from the terminal block .



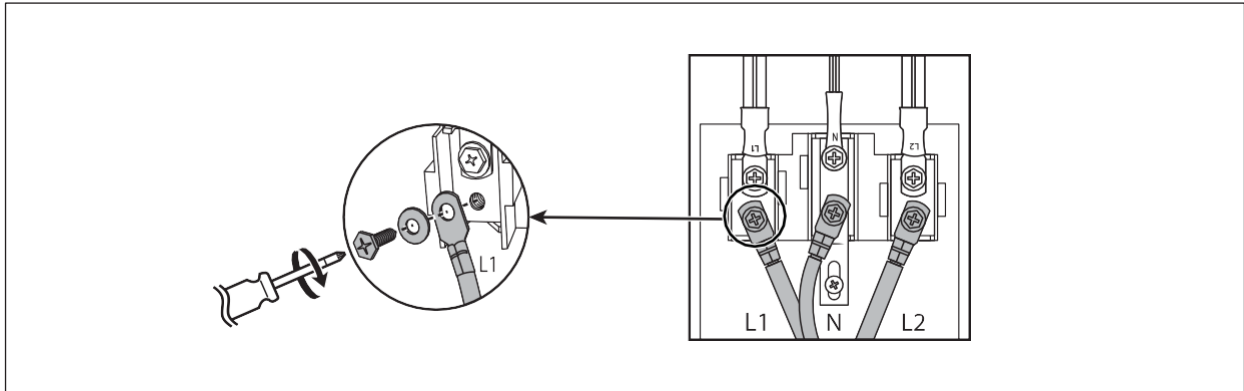
4. Loosen the screws on the strain relief .



5. Extend the power cord wire upwards through the strain relief from the bottom of the back panel.

INSTALLATION

- Hook the ring terminals of the power cord wire into their designated terminals on the terminal block (live 1/2 and neutral) and tighten the screws securely .



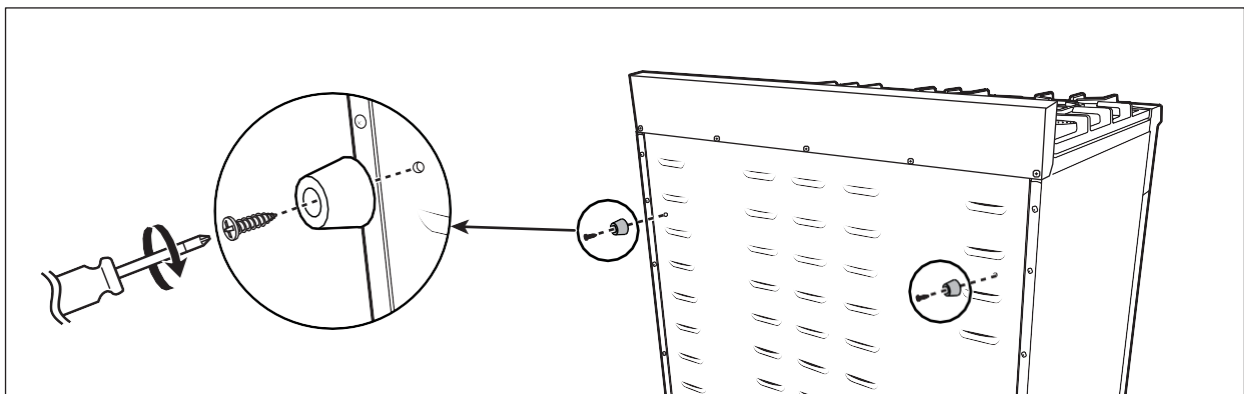
- Ensure the ring terminals have good contact with the terminals on the terminal block.
- Slightly push the power cord upwards to leave some slack above the strain relief , then tighten the screws on the strain relief .
- Reinstall the terminal block cover and re-tighten the screws.

Connect the plug

- Check that all burner knobs are at the OFF position.
- Connect the plug to a suitable outlet. The control panel flashes once and a beep tone plays.

2.7 Install the back spacers

- Locate the 2 spacer holes at the back of the appliance
- Attach the spacers with the spacer screws.



INSTALLATION

2.8 Install anti-tip device

⚠ WARNING Risk of injury!

- A child or adult can tip the appliance and be killed.
- Install the anti-tip device to the wall/floor. Verify the anti-tip device has been properly installed and engaged with the back of the appliance.
- Engage the appliance to the anti-tip device by pushing the appliance all the way into the installation location. Ensure the anti-tip device is re-engaged when the appliance is moved.
- Re-engage the anti-tip device if the appliance is moved. Do not operate the appliance without the anti-tip device in place and engaged.
- See installation instructions for details.
- Failure to do so can result in death or serious burns to children or adults.
- Even after the anti-tip device is installed, do not step, lean or sit on the oven door or place any heavy objects on it.

CAUTION Risk of damage! Do not drill into any pipes or power lines beneath the surface while preparing the mounting holes for the anti-tip device. Use a voltage/metal detector before drilling any holes to eliminate any such potential risks.

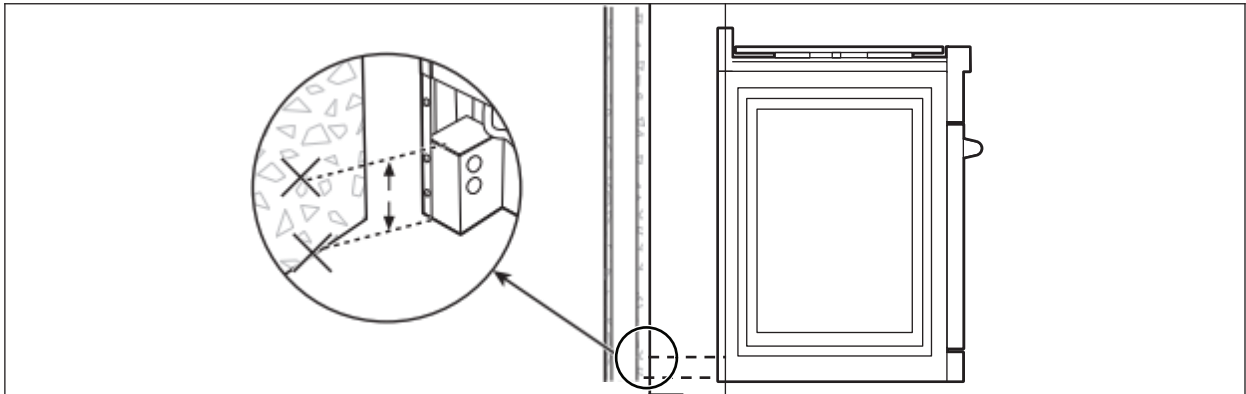
Equipment required

- Power drill
- Pencil
- Spirit level
- Measuring tape

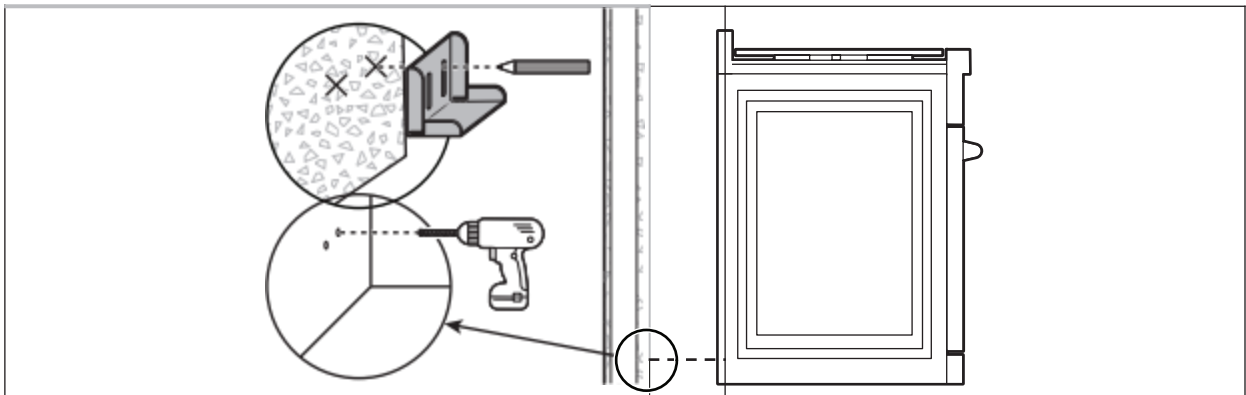
INSTALLATION

For RSI30/RSI30B,RSI36/RSI36B

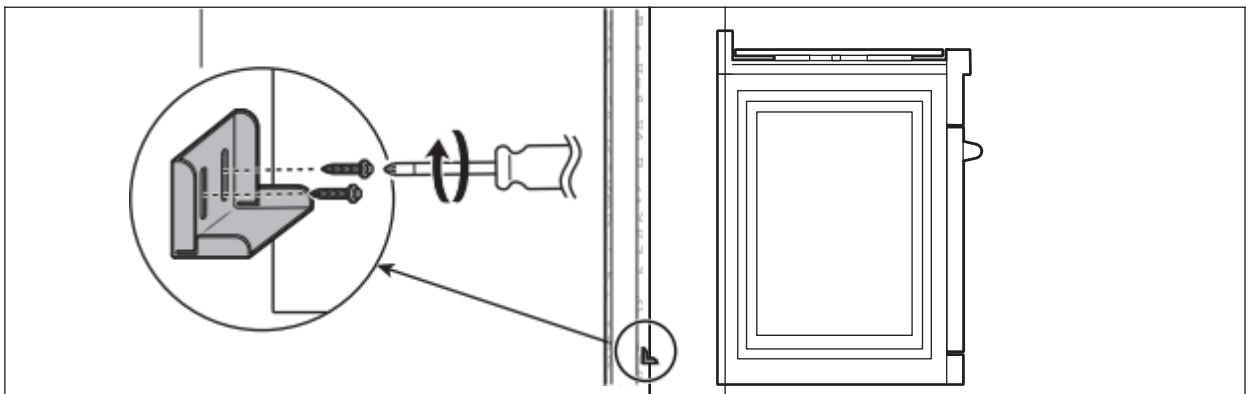
1. Measure the height between the floor and the left side of the back panel.
2. Mark this measurement on the back wall.



3. Place the anti-tip device against the wall and mark the holes on it, ensuring they are level .
4. Drill holes on the marked places.



5. Attach the anti-tip device to the back wall using the provided screws .



6. Push the appliance all the way into the installation location, engaging it with the anti-tip device.

INSTALLATION

Check the installation of the anti-tip device

1. Remove any items on the cooktop.
2. Grasp the top rear edge of the appliance and carefully attempt to tilt it forward.
3. Verify that the anti-tip device is engaged.

2.9 Conditioning prior to first time use

Conditioning burns off any manufacturing residues.

1. Place all the oven racks (8) inside the oven cavity (20).
2. If a hood is installed, set it on high.
3. Set the oven to the **BAKE** function and preheat the empty oven to 350 °F (176 °C) and allow it to heat for 30 minutes, then increase the temperature to 500 °F (260 °C) then allow oven to heat for another 30 minutes.
4. Let the oven cavity (20) cool down.
5. Once cooled, wipe the oven cavity (20) with a damp cloth and mild detergent, then dry thoroughly.

TROUBLESHOOTING

Problem	Possible cause	Solution
The appliance is not level.	The appliance has been installed improperly.	Place the oven rack in the center of the oven. Place a level on the oven rack . Adjust the feet until the oven rack is level. Ensure the floor is level and strong and stable enough to adequately support the appliance.
	The floor is sagging or sloping.	Contact a carpenter to correct the situation.
	The kitchen cabinets are not properly aligned and make the appliance appear to be not level.	Ensure the cabinets are square and provide sufficient room for installation.
The appliance must be accessed for servicing and cannot be moved easily.	The kitchen cabinets are not square and too close to the appliance.	Contact a builder or installer to make the appliance accessible.
	Carpet is interfering with movement of the appliance.	Provide sufficient space so the appliance can be lifted over the carpet.

WARRANTY



Warranty & Service

This appliance has been manufactured by Thor International, 4651 E Airport Drive, California 91761

For Customer Service, please call (877) 288 - 8099

For the most up to date warranty and service policy, please refer to our website
WWW.THORKITCHEN.COM/WARRANTY-REGISTRATION

For in-warranty service requests, please visit our website at
WWW.THORKITCHEN.COM/SERVICE

Please Note: You must provide proof of purchase or installation date for any in-warranty service requests

We Stand Behind the Quality of Our Appliances.



Reliability and customer satisfaction are our top priorities. We offer a solid two-year warranty on both parts and labor. Enjoy professional-grade performance with the confidence that we've got you covered.

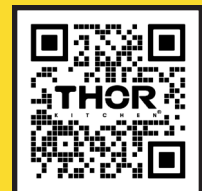
Warranty Registration Made Easy.

01 Scan the QR Code or visit thorkitchen.com/register-your-product.

02 Input your purchase and product information and select register.

03 That's it. You're all set. Enjoy!

Questions: service@thorinternational.com



WARRANTY



PARTS

