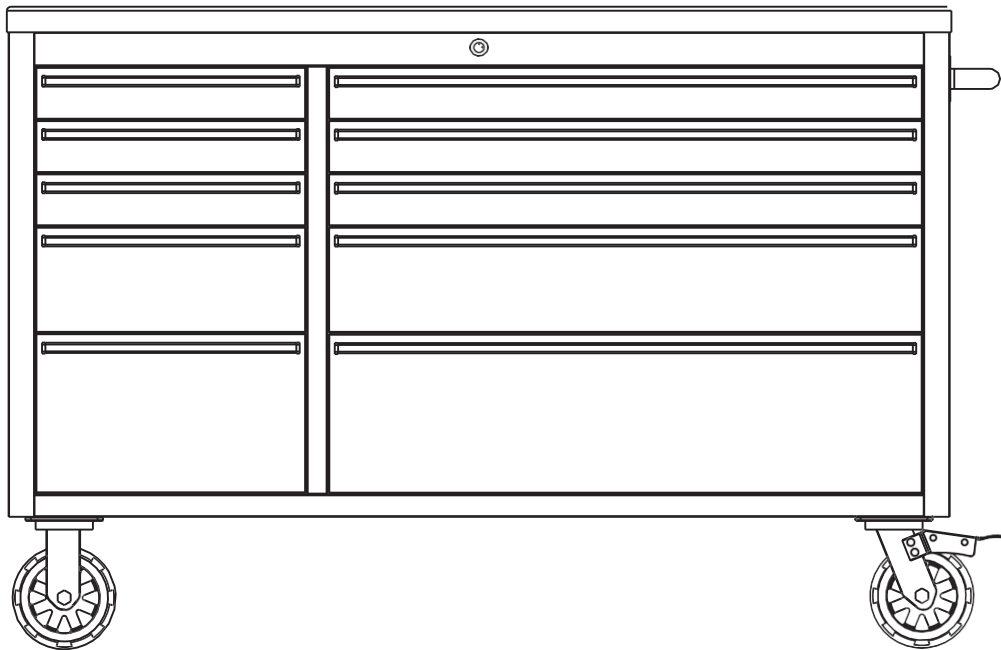


Rubberwood Top & Stainless Steel

**55" 10-Drawer Mobile Work
Bench (Stainless Steel)**

Model: TC5510



! WARNING



- Please read the product manual completely before assembly.
- Check against the parts list to make sure all parts are received.
- Wear proper safety goggles or other protective gears while assembling.

Missing parts or questions on assembly?

Please call: 1-877-288-8099 or email: service@thorinternational.com

Do not return the product to dealer, they are not equipped to handle your requests.

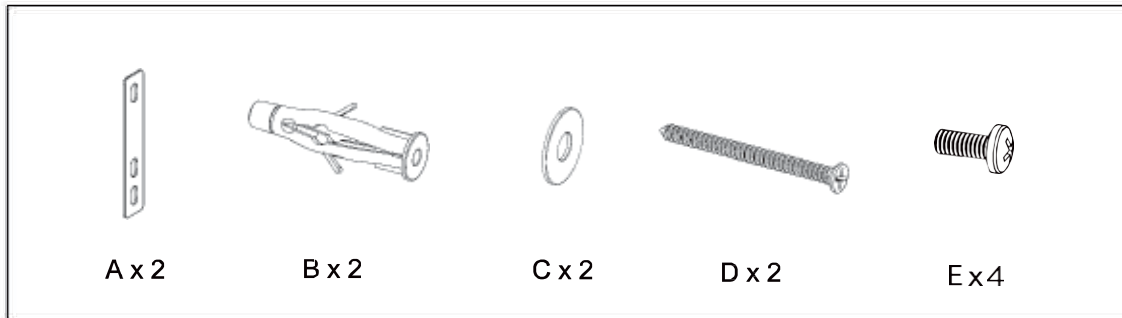
This user manual is for the following models:
TC5510

ANTI TIPPING HARDWARE KIT



WARNING

PLEASE NOTE: WE STRONGLY RECOMMEND THAT THIS PRODUCT IS PERMANENTLY FIXED TO A WALL. PLEASE USE THE PROVIDED "ANTI-TIPPING HARDWARE KIT" TO SECURELY FIX PRODUCT TO YOUR WALL.



It is strongly recommended that you anchor this product.

Toppling furniture can cause serious injuries and death.

An "anti-tipping hardware kit" has been provided with this product to stop your furniture from tipping forward. It is strongly recommended that you securely attach this product to a wall or other solid surface using the provided fixings.

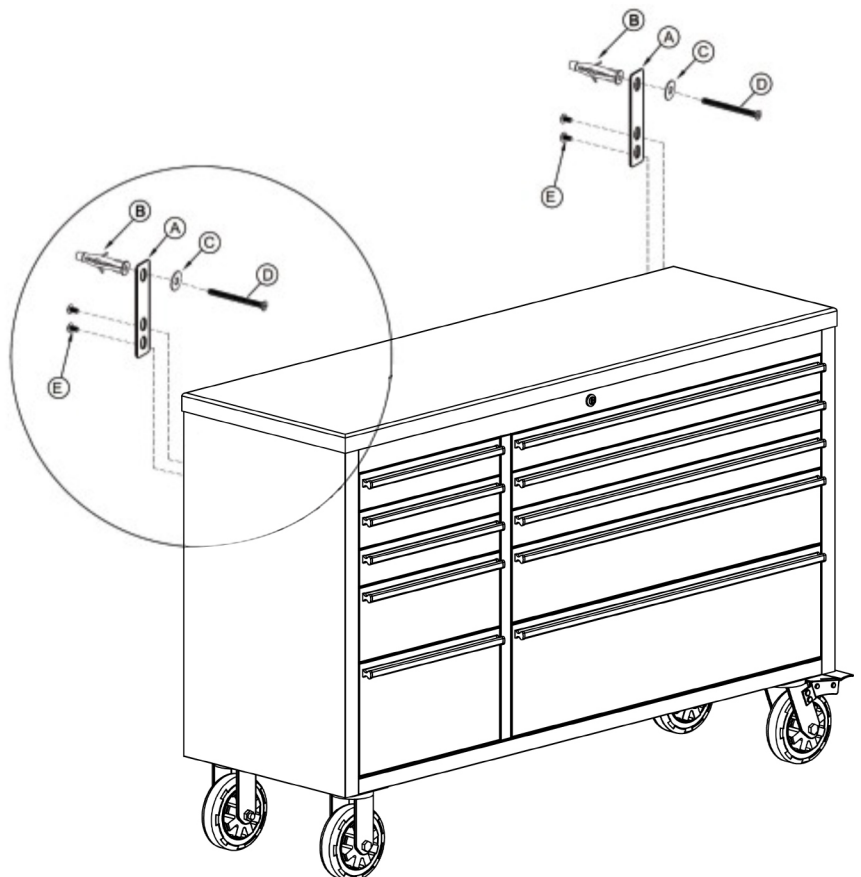
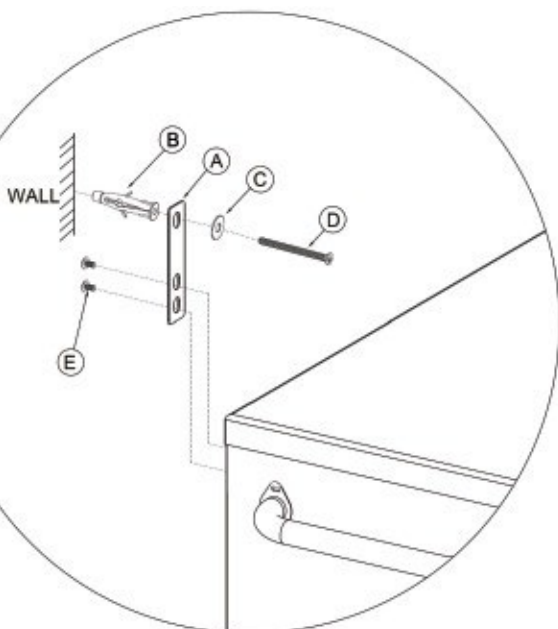
Important: Regularly check that anchors are securely maintained. Stability of tall items may be affected by thick pile carpet or uneven floors.

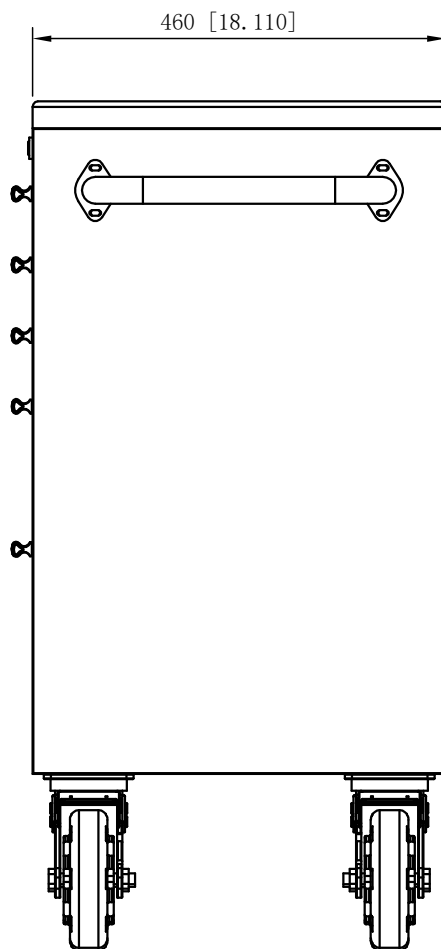
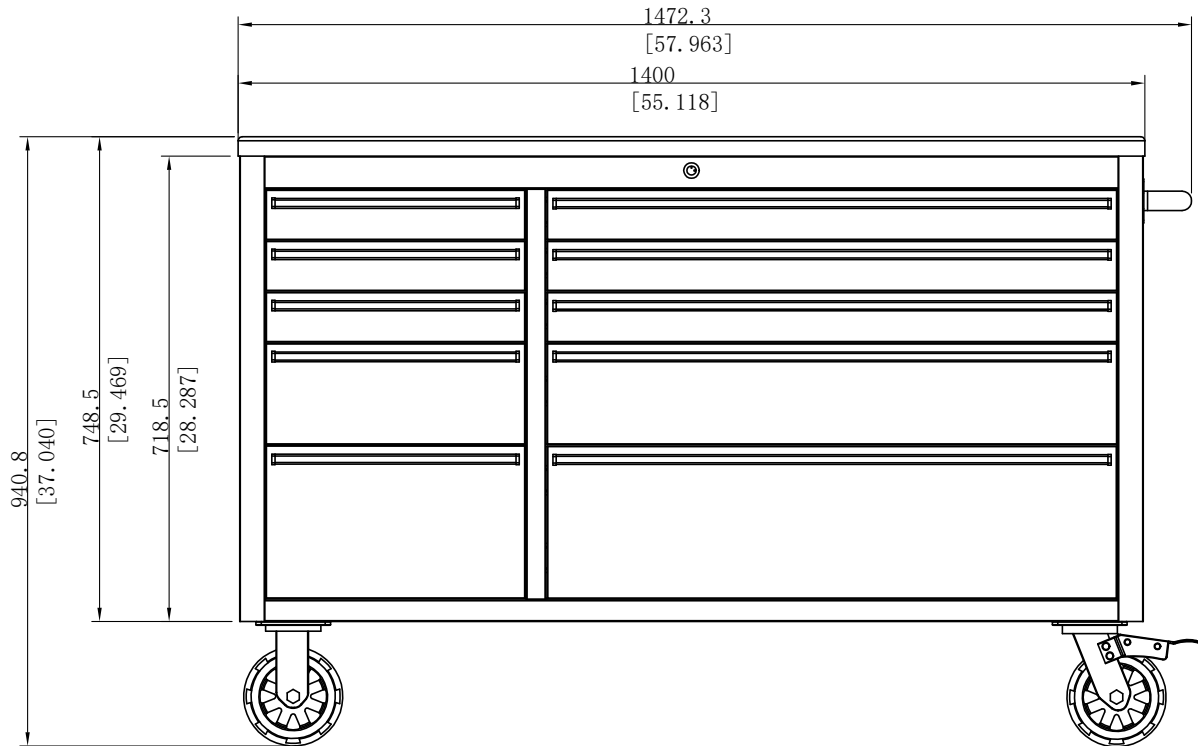
Caution:

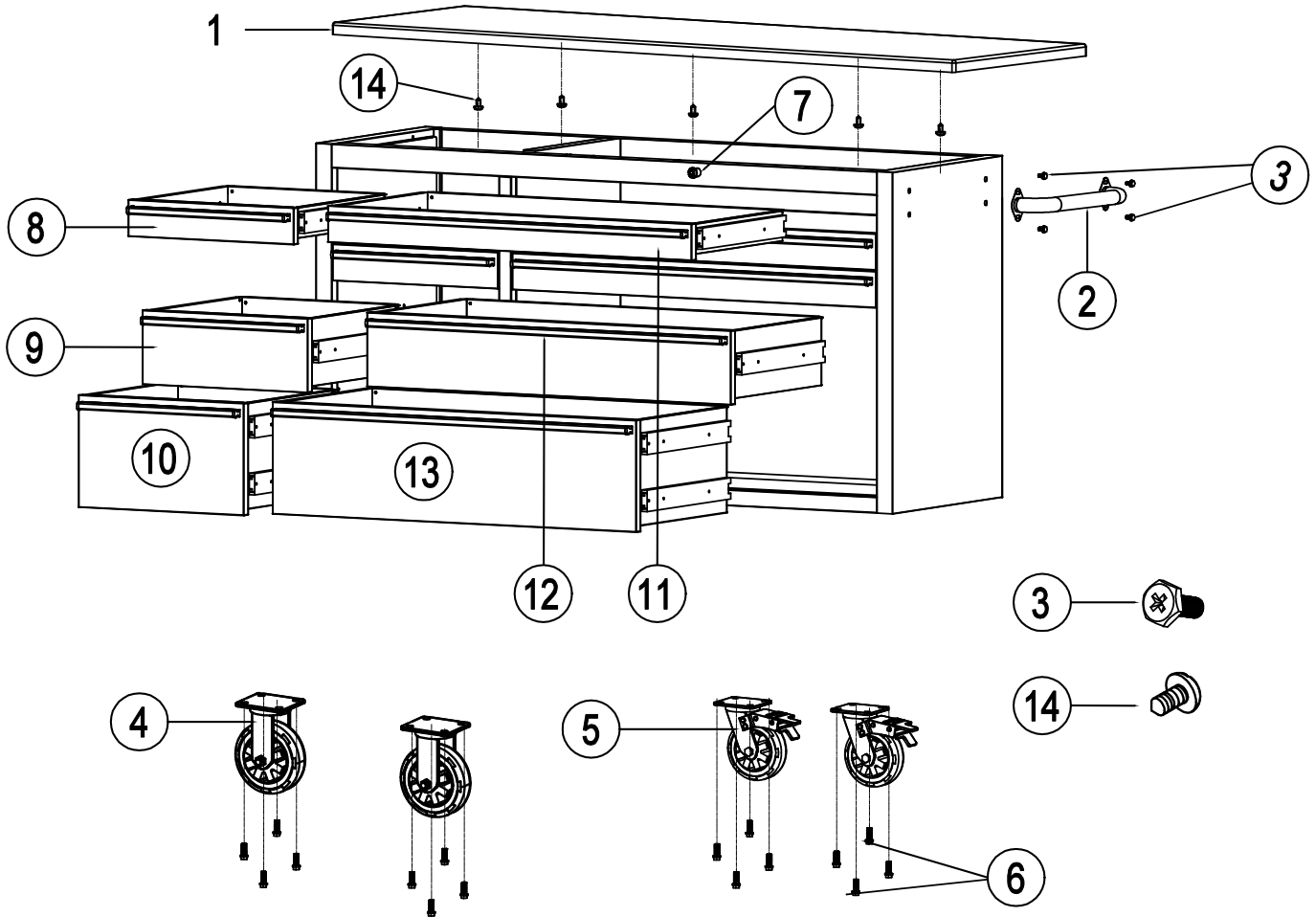
For your safety when attaching the anchor fixings, please note the following:

- Check for any electrical wires or plumbing inside the wall before drilling any holes (If you are unsure, please seek professional advice from a qualified tradesperson).
- Walls are constructed from different materials, for example, masonry (solid brick) or plasterboard lined cavity walls (hollow). It is important that you use the appropriate fixings for your wall type.

Installation for Brick, Masonry Wall and Plaster Wall







Sequence #	PART#	DESCRIPTION	QTY
1	128115001000006	Bench Top	1
2	129115009000001	Handle	1
3	113011009000022	1/4*0.47in Hex Bolt	4
4	129115001000030	Rigid caster	2
5	129115001000015	Swivel caster(W/brake)	2
6	113011009000021	3/8*0.98in Hex Bolt	16
7	129115004000004	Lock and Key	1
8	220115003P00018	Upper Left Drawer	3
9	220115003P00019	Middle Left Drawer	1
10	220115003P00011	Bottom Left Drawer	1
11	220115003P00020	Upper Right Drawer	3
12	220115003P00021	Middle Right Drawer	1
13	220115003P00008	Bottom Right Drawer	1
14	113031025000028	ST4.8*L17 Hex Bolt	5