



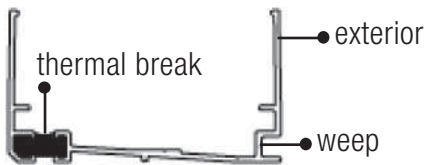
# ACCU-FIT CLASSIC VINYL ENCLOSURE INSTALLATION GUIDE

harveybp.com/pro

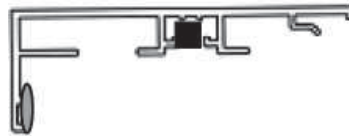
## Tools Needed

- circular saw or chop saw with multi tooth carbide blade
- caulking gun and caulking
- cord/cordless drill
- 1/4" drill bit
- 3/8" hex driver
- tape measure
- level
- safety glasses
- masonry anchors (not included)
- rubber mallet

## Parts List



Base Channel  
(white and almond)



Head and jamb receptor  
(white, almond, and bronze)



Interior snap leg  
(white, almond, and bronze)



1-1/2" stainless self tap  
(Head and Jamb Installation)



1-3/4" stainless self tap  
(Base Installation)

Note: Do not fasten through black thermal break.



**HARVEY**  
BUILDING PRODUCTS

## Measuring and Installation Details

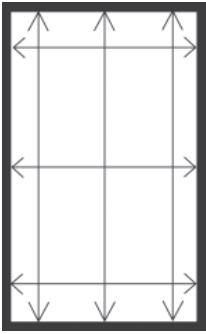


Diagram 1

- Check all openings for plumb, level, and square. You should always try and square up the openings.  
NOTE: Tolerances of single panel openings  $\pm 1/4$ " maximum.
- When measuring, measure in three locations for height and width and use your smallest measurement (refer to Diagram 1).
- Install plumb, level, and square.
- Door opening will not require channels and can be framed to the door size.

## Installation Guide: Accu-Fit



Caulking of  
base channel

### Step 1:

- Measure the bottom width and cut base channel to fit tight in opening.
- Caulk under channel with 2 continuous  $3/8$ " beads of sealant. Fasten with supplied 1- $3/4$ " screws, 3" from ends and 16" on center.
- Caulk ends of base channel and over all screw heads to keep water from penetrating unit, as seen in the photo to the left.
- With a  $1/4$ " drill bit, drill out weepholes 3" from ends and 12"-16" on center.  
NOTE: It is important to seal inside and under this channel completely before moving to the next step.

### Step 2:

- Measure width at header and cut header and snap leg to this width.
- Caulk back of head receptor with 2 continuous  $3/8$ " beads of sealant. Fasten with supplied 1- $1/2$ " screws, 3" from ends and 16" on center.

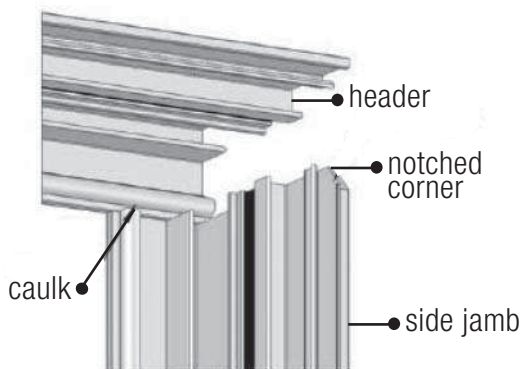


Diagram 2

### Step 3:

- Side jambs will fit between the base and header. Approximate size will be opening height minus  $3-1/4$ ".
- Caulk back of side jamb receptor with 2 continuous  $3/8$ " beads of sealant. Fasten with supplied 1- $1/2$ " screws 3" from ends and 16" on center.  
NOTE: Before installing sides, snip small edge off channel at top, as shown in Diagram 2.



**HARVEY**  
BUILDING PRODUCTS

# Installation Guide: Accu-Fit



Diagram 3

## Step 4:

- Caulk all daylight openings from inside where aluminum pieces touch.
- Caulk inward leg of base channel to help prevent air infiltration as shown in Diagram 3.

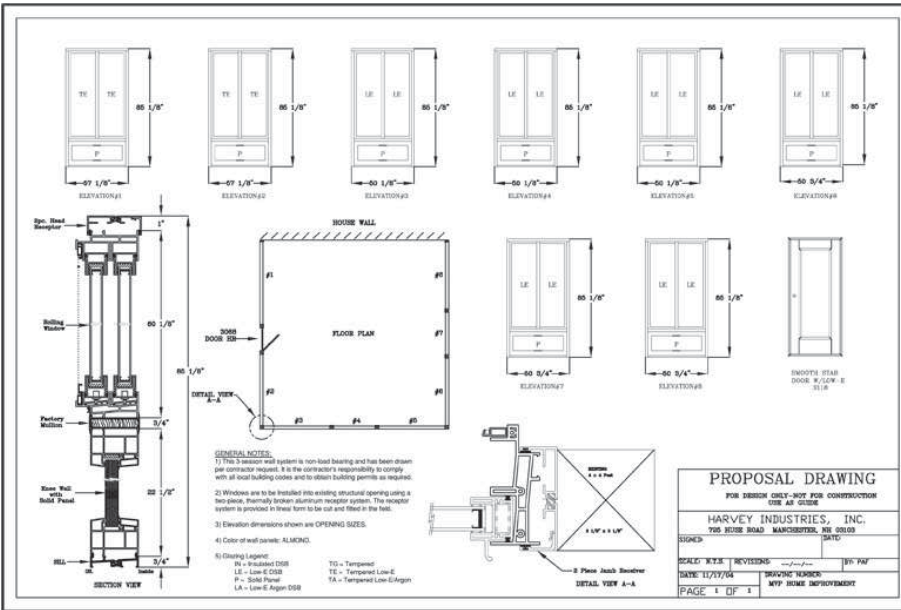


Diagram 4

## Step 5:

- Install appropriate panel, making sure you are installing as supplied diagram demonstrates.
- Insert in base and tilt top upward, center in opening.

## Step 6:

- Install top snap leg receiver using a rubber mallet or block of wood.
- Firmly hit channel starting from one end until it seats itself securely in place.
- Install side snap leg as above.
- Finish off as desired. NOTE: If installing between 4x4 posts, you can install 1x6 Harvey PVC trim on exterior and interior for a finished look as seen in Diagram 5.



Before and After Photos

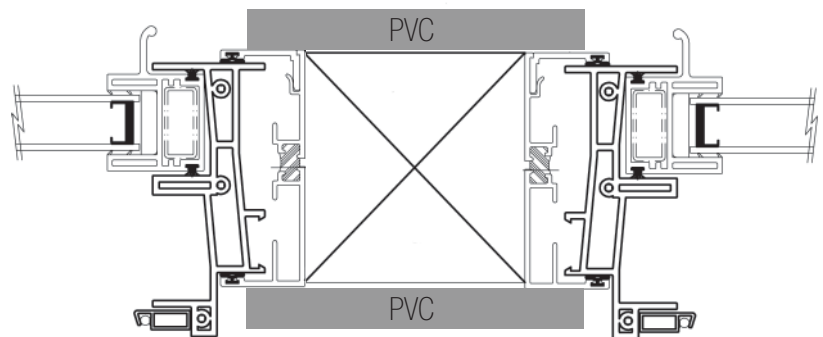


Diagram 5



**HARVEY**  
BUILDING PRODUCTS