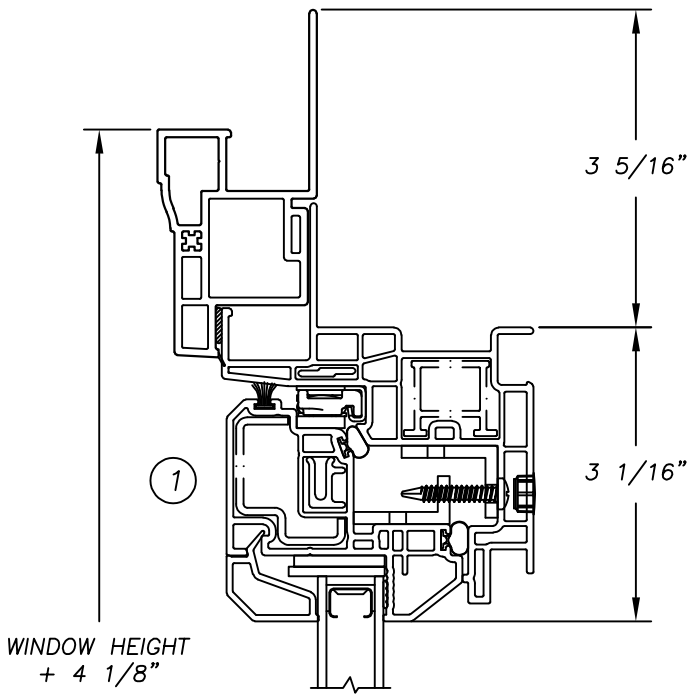
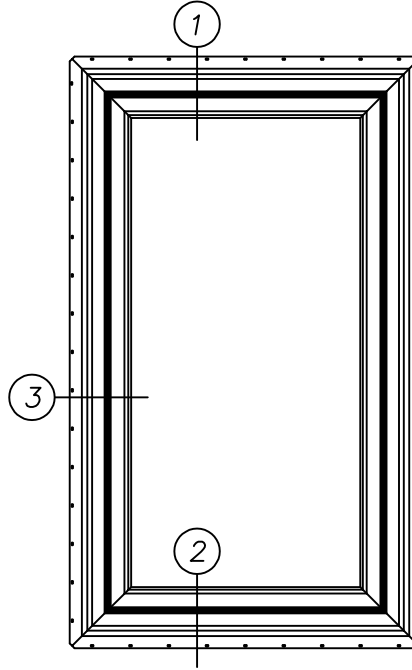
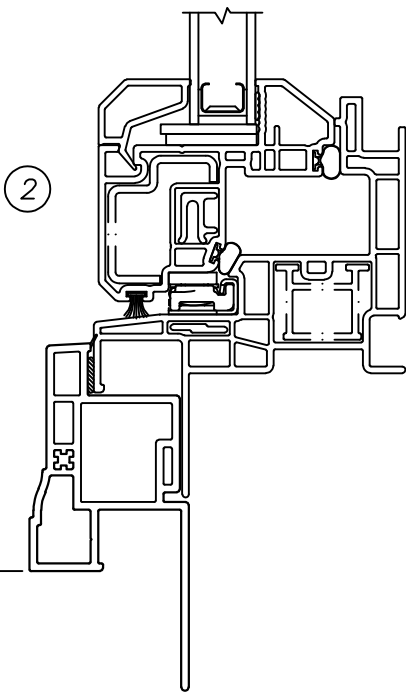


Harvey Building Products  
 N.C. Vinyl Fixed Casement Window  
 w/ 908 Casing  
 (1/2 Scale)



WINDOW HEIGHT  
 +  $4 \frac{1}{8}''$



(1/20)

