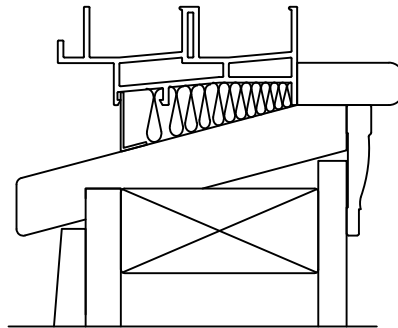


VINYL ROLLING WINDOW
REPLACEMENT INSTALLATION
2 x 4 CONSTRUCTION
5/8" SHEATHING
1/2" DRYWALL

SILL DETAIL



STEEP SLOPE INSTALLATION

