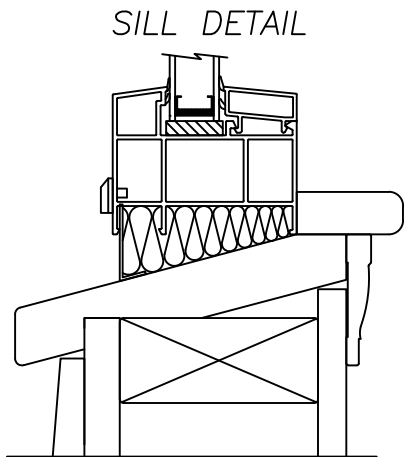


HARVEY BUILDING PRODUCTS
VINYL PICTURE WINDOW
REPLACEMENT INSTALLATION
2 x 4 CONSTRUCTION
5/8" SHEATHING
1/2" DRYWALL



STEEP SLOPE INSTALLATION

