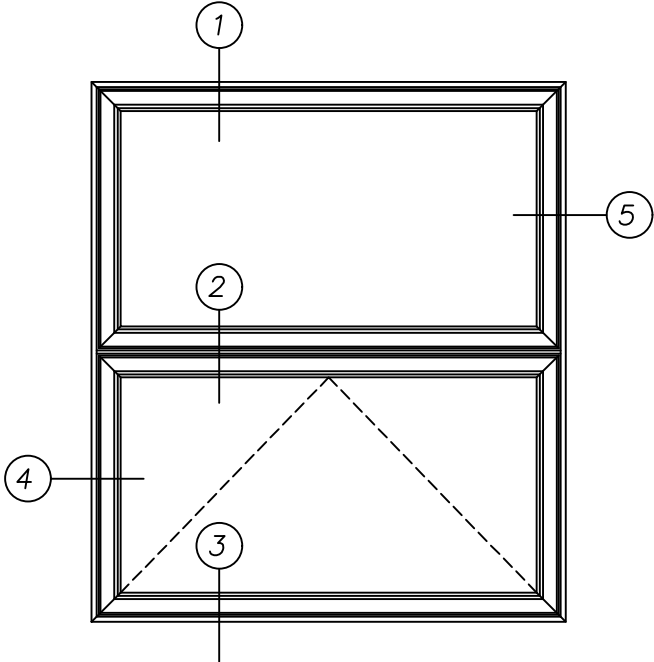
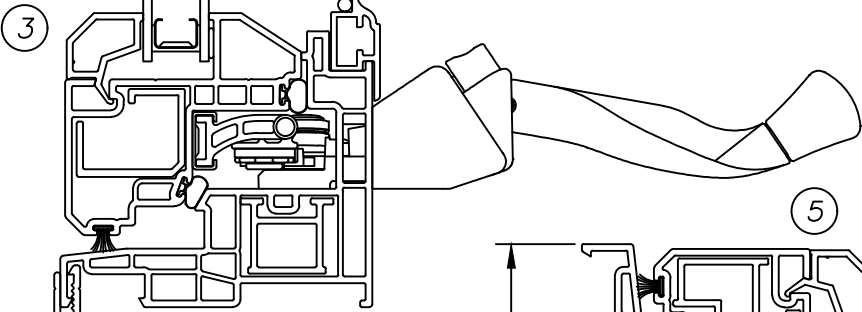
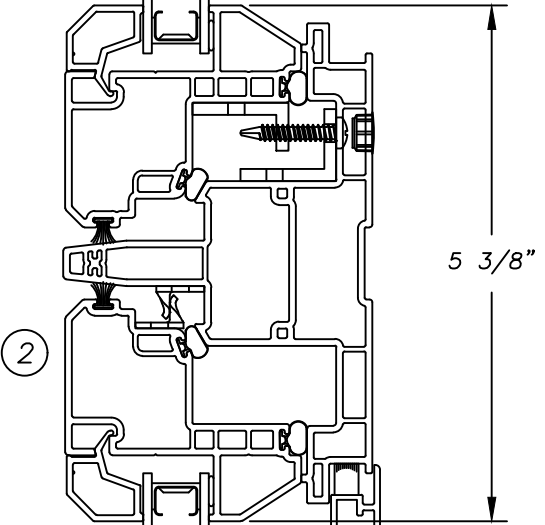
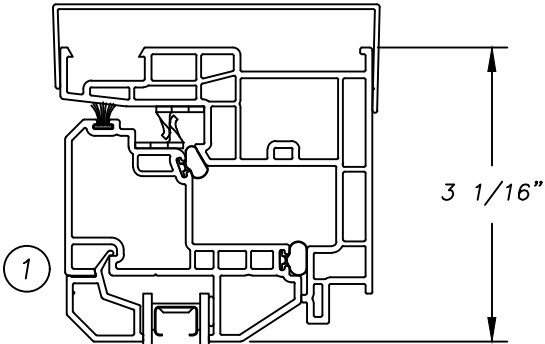
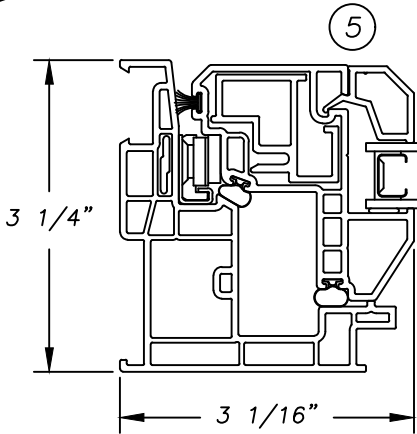


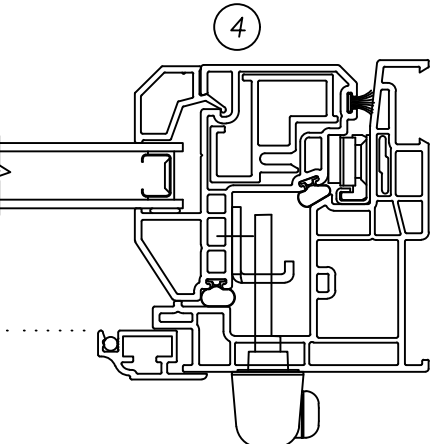
Harvey Building Products
 AF-1/AV-1 Awning Window
 Replacement Frame
 (1/2 Scale)



(1/20)



FIXED JAMB SECTION



VENTING JAMB SECTION