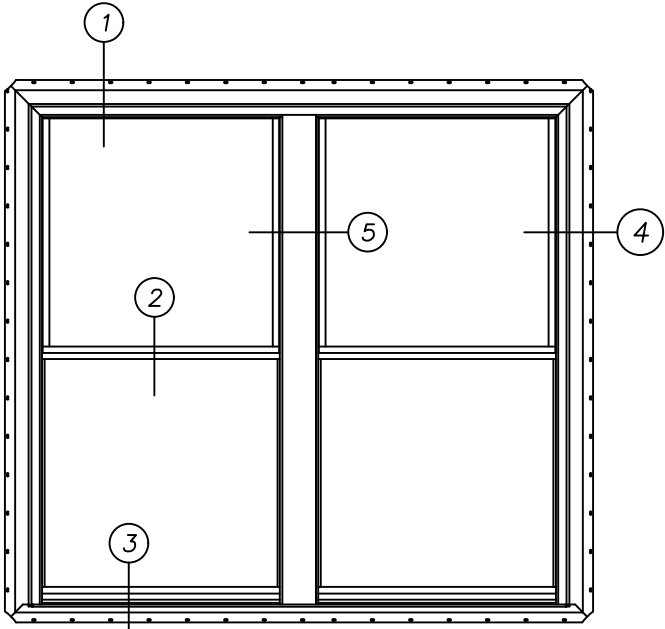
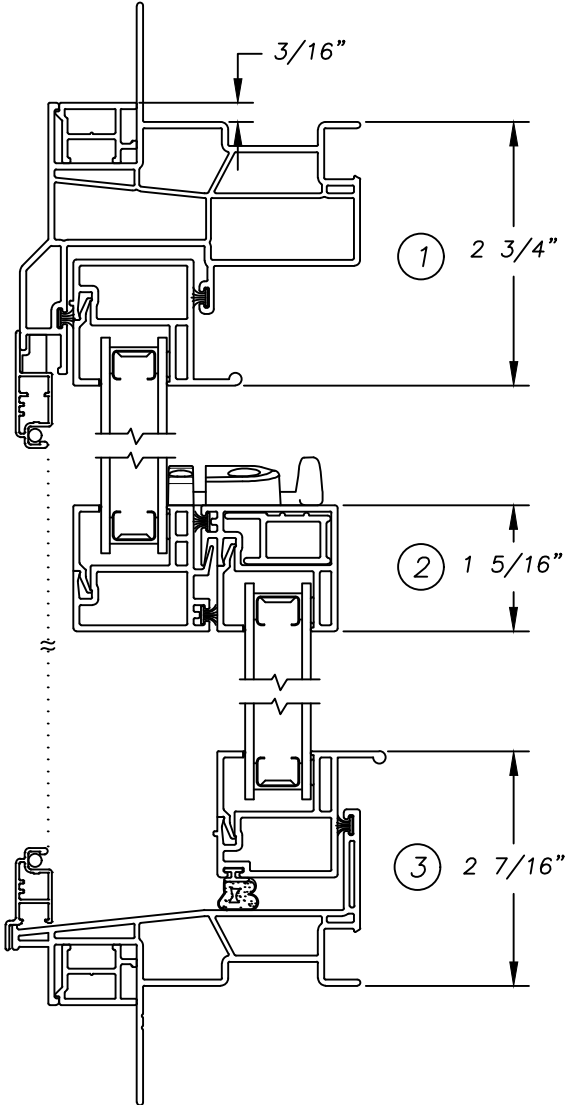


Harvey Building Products
 Slimline Double Hung
 I-Fin DH-2 Common Jamb
 w/ L-Fin Adapter
 (1/2 Scale)



(1/20)

