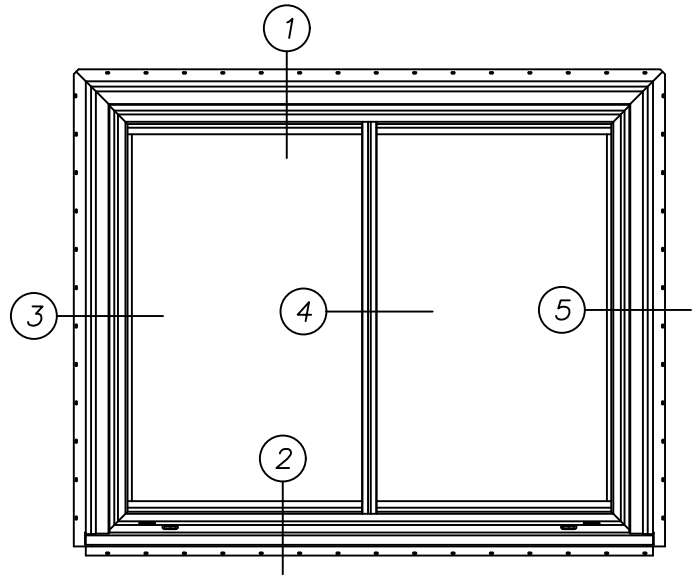
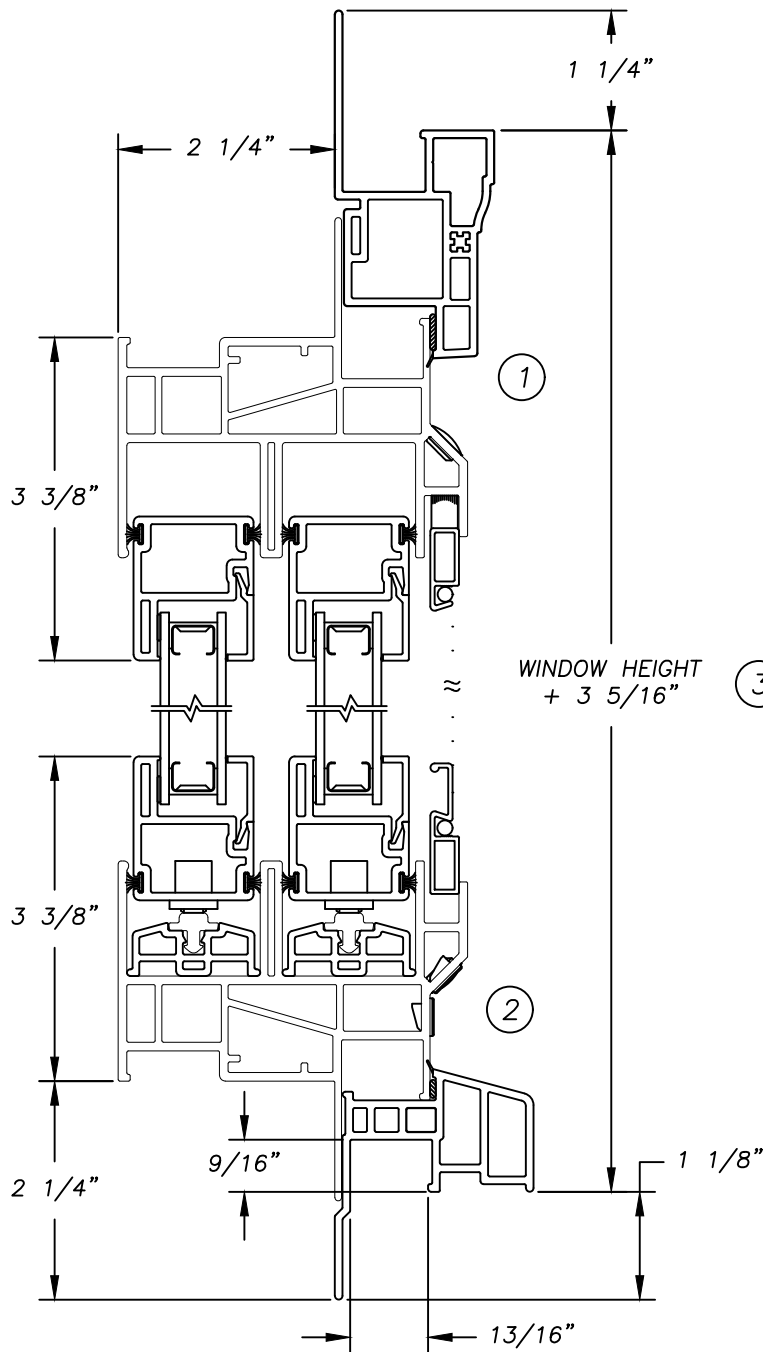


Harvey Building Products  
 Welded Vinyl Rolling Window N.C.  
 w/ 908 Casing & Sill Nose,  
 no Ext. Jamb Receiver  
 (1/2 Scale)



(1/20)

