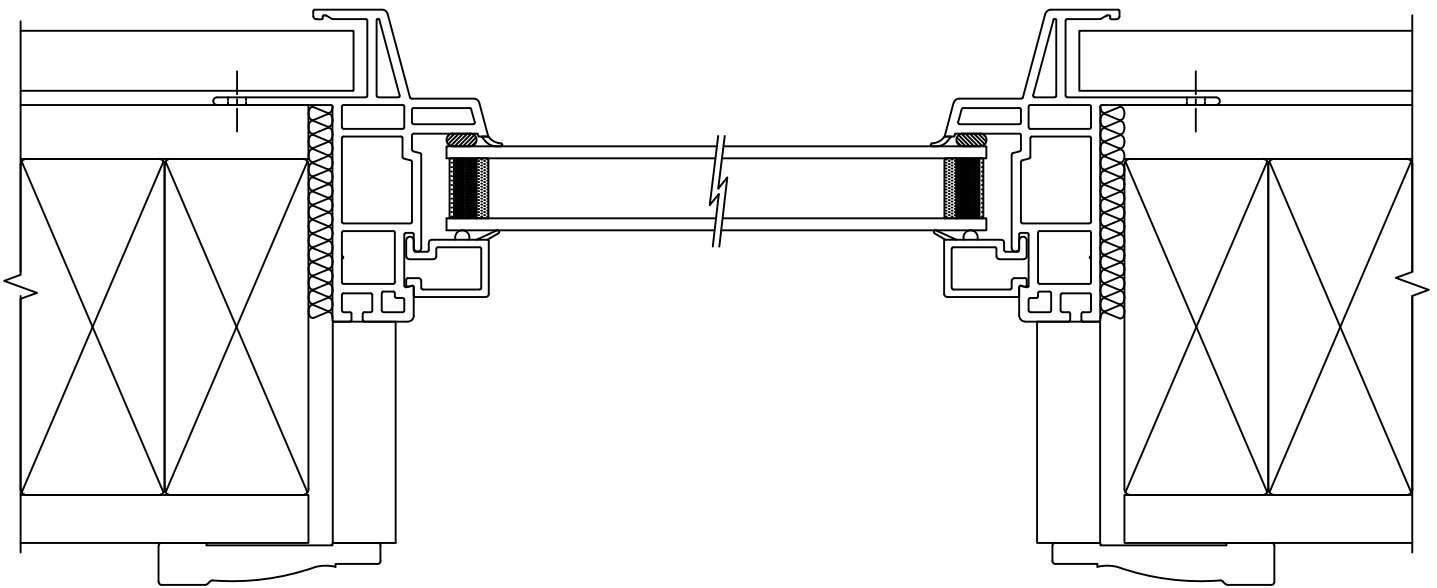


Harvey Building Products
Designer Shapes
New Construction Installation
"J" Channel with Siding
2 x 4 Construction
9/16" Sheathing
1/2" Drywall
(1/2 Scale)



REV. 9/06

AS 147