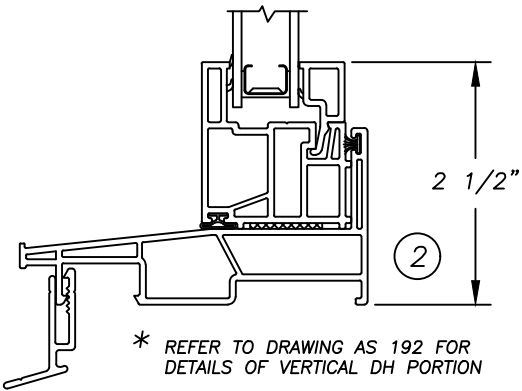
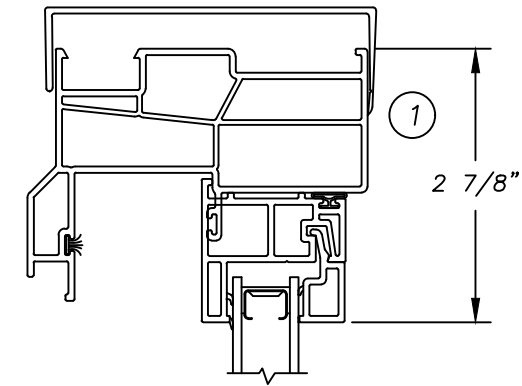
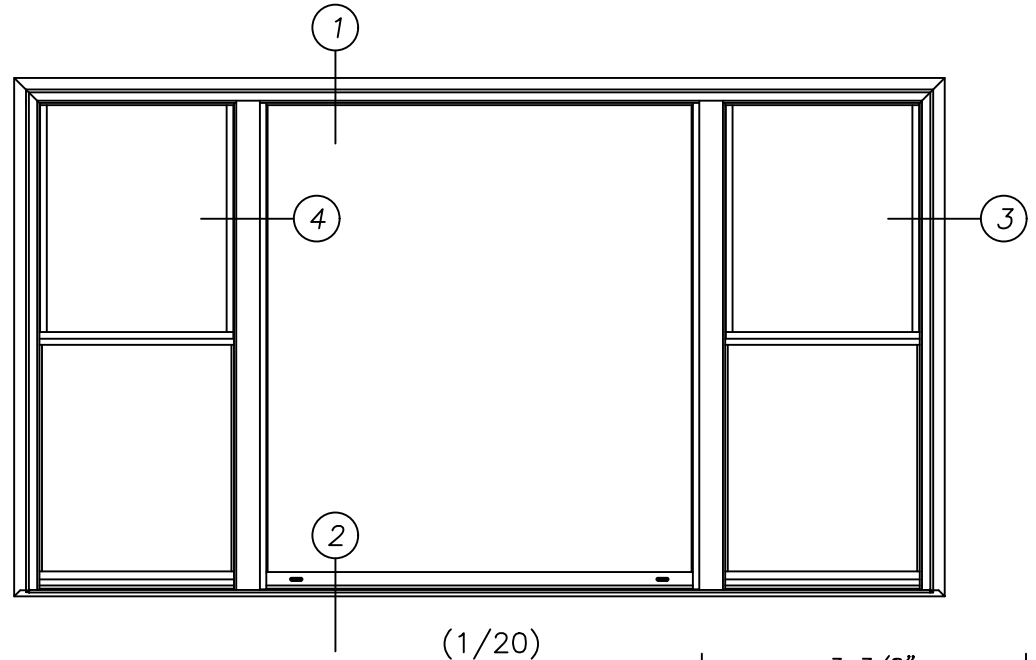


Harvey Building Products
 Slimline Double Hung
 Replacement DH-PW-DH Common Jamb
 (1/2 Scale)



* REFER TO DRAWING AS 192 FOR
 DETAILS OF VERTICAL DH PORTION



(1/20)

