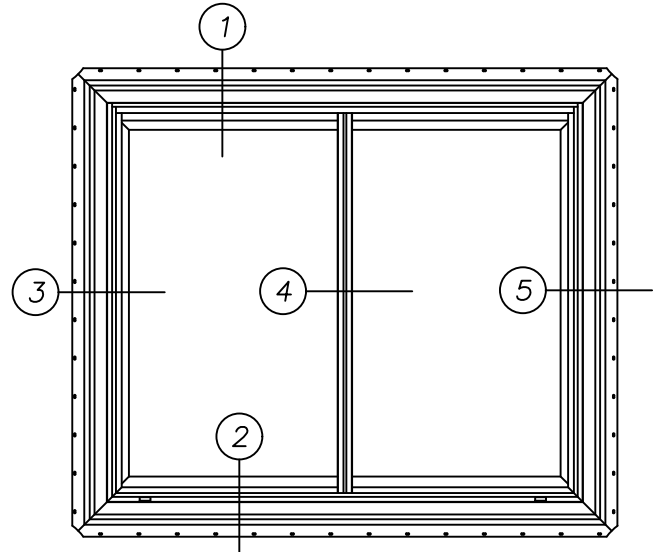


Harvey Building Products  
 Universal Rolling Window  
 w/ 908 Casing

(1/2 Scale)



(1/20)

WINDOW HEIGHT  
 + 4 5/16"

