

QUICKTIP

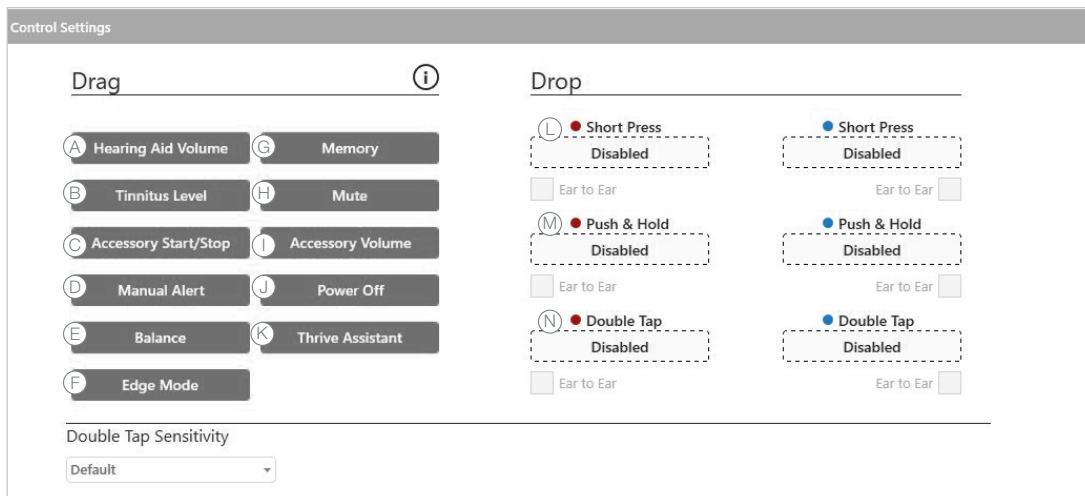
User Controls

Upon launching Inspire X, connect the Thrive platform 2.4 GHz hearing aids. Refer to the Initial Fit Protocol QuickTIPs for information on getting started.

The User Control Configuration box will appear upon first fit. Select **Show Demo** for demonstration of user control configuration options, or select **Don't Show Again** and close. Select **User Controls** on the left navigation bar to adjust user controls during subsequent programming.

User Control Configuration

Drag any user control you wish to enable from the left and drop it on a gesture on the right.



User control options include:

- | | | |
|--------------------------|-------------------------|-----------------------------------|
| (A) Hearing Aid Volume | (E) Balance (CROS only) | (I) Accessory Volume |
| (B) Tinnitus Level | (F) Edge Mode* | (J) Power Off (Rechargeable only) |
| (C) Accessory Start/Stop | (G) Memory | (K) Thrive Assistant* |
| (D) Manual Alert* | (H) Mute | |

Gesture options include:

- (L) **Short Press:** Memory, HA Volume, Tinnitus Level, Accessory Volume, Edge Mode
- (M) **Push & Hold:** HA Volume, Memory, Tinnitus Level, Mute, Accessory Start/Stop, Accessory Volume, Power Off, Manual Alert, Balance
- (N) **Double Tap**:** Accessory Start/Stop, Thrive Assistant, Edge Mode

NOTE: Double Tap Sensitivity may be adjusted by selecting the drop-down arrow under the user control options. The sensitivity may be adjusted to be more or less sensitive than the default setting.

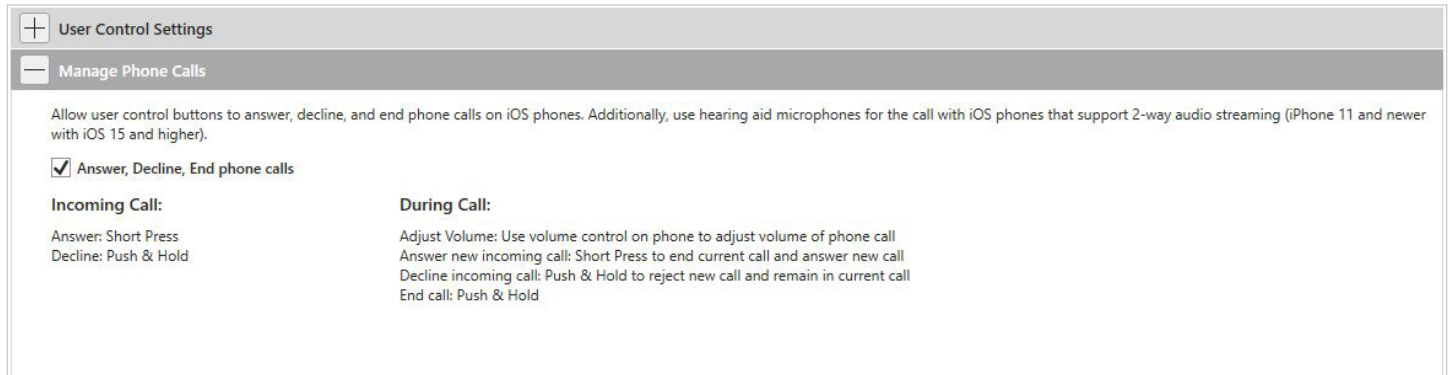


Manage Phone Calls

Select Manage Phone Calls for user control information specific to answering, declining, and ending phone calls on iOS phones. Answer, Decline, End phone calls will default on. Click the check box to disable this feature.

NOTE: This feature is available for any iPhone.

NOTE: This feature will respond, by default, to an incoming call without losing other user control functionality (e.g. volume control, memory, tinnitus, etc.) when a call is not in progress.

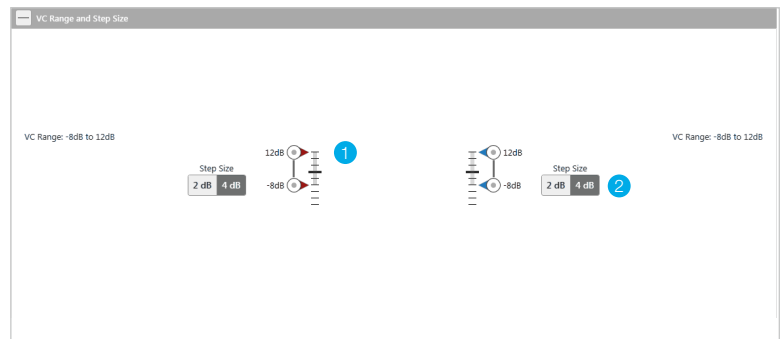


Volume Control Range and Step Size

Select VC Range and Step Size if volume control is enabled.

- 1 Select pins to adjust VC Range.
- 2 Select Step Size of 2 dB or 4 dB.

NOTE: Inspire X software will not allow for adjustments to VC Range and Step Size if volume control is not enabled in User Control Settings.

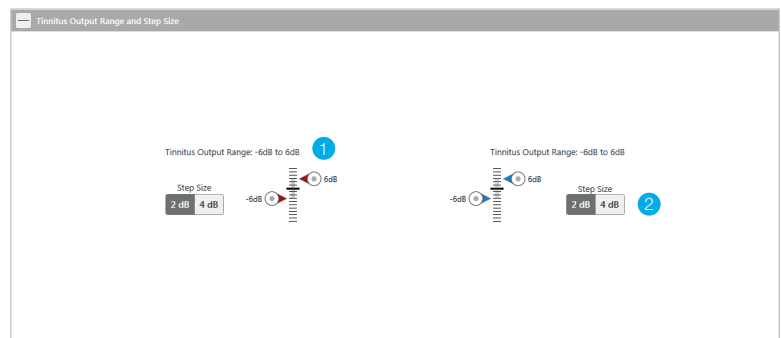


Tinnitus Output Range and Step Size

Select Tinnitus Output Range and Step Size if tinnitus stimulus is enabled. Refer to the Tinnitus QuickTIP for additional information.

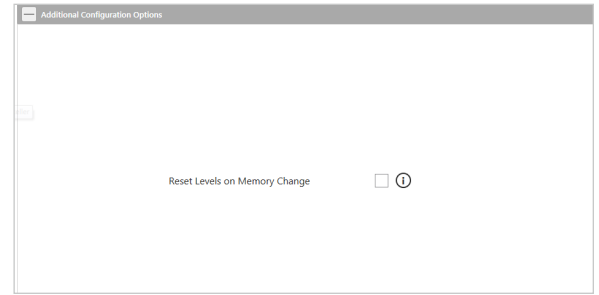
- 1 Select pins to adjust Stimulus level.
- 2 Select Step Size of 2 dB or 4 dB.

NOTE: Inspire X software will not allow for adjustments to Tinnitus Output Range and Step Size if tinnitus control is not enabled in User Control Settings.



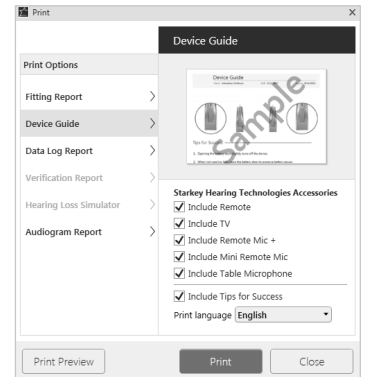
Additional Configuration Options

Reset Levels on Memory Change will default off. Click the check box to allow HA Volume and Tinnitus level to revert to preset levels when a memory change occurs.



Device Guide

Select **Print** in User Control Settings to print the Device Guide. This generates a report which includes user control information specific to the connected hearing aids.



*Available on select Thrive platform 2.4 GHz hearing aids. Contact your rep for specific information. | **Only available on AI technology.

The Starkey logo, Inspire and Thrive are trademarks of Starkey Laboratories, Inc.

©2022 Starkey Laboratories, Inc. All Rights Reserved. 6/22 FLYR3487-03-EN-SC