

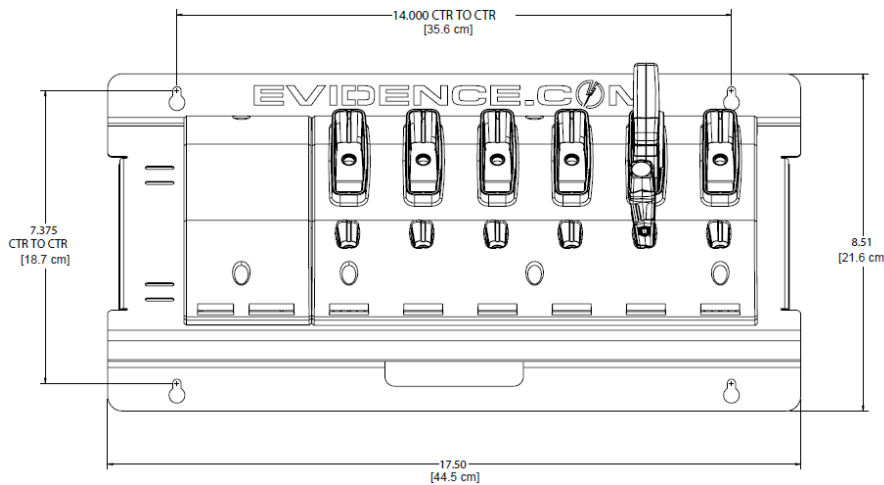
Introduction

This document is intended to help you plan your Axon Dock installations by providing the external dimensions of an Axon Dock assembly attached to a wall mount bracket while accommodating Axon devices.

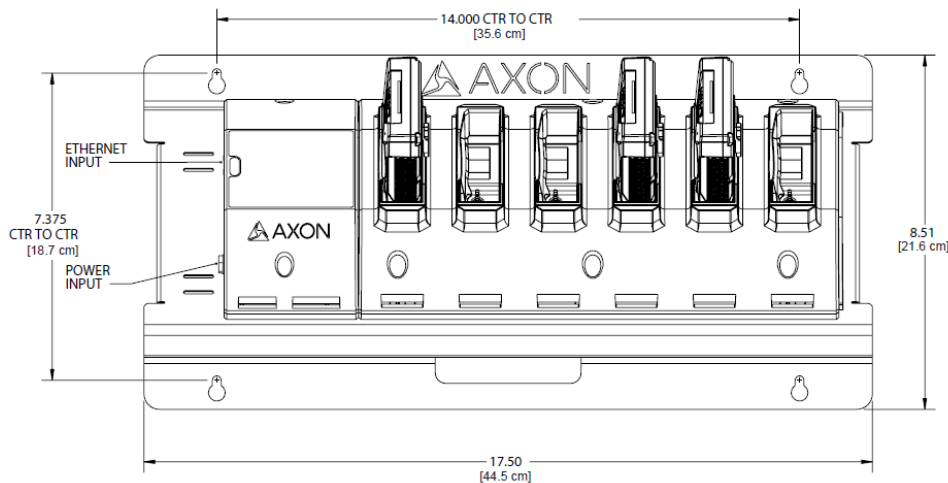
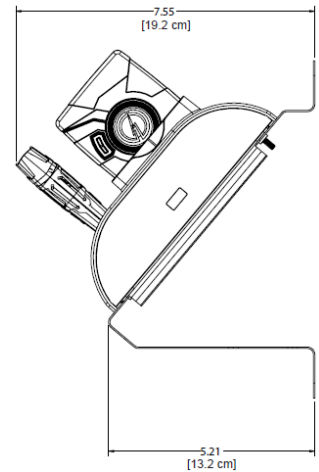
For complete instructions on installing your Axon Dock assembly, see the *Axon Dock Installation Manual*.

Dimensions

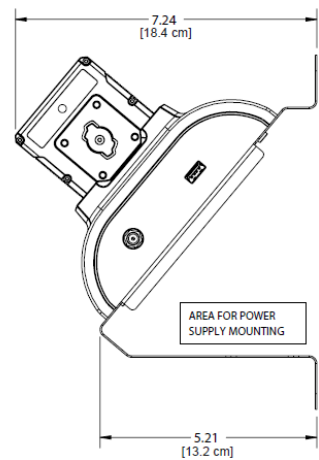
The dimensions (all dimensions are shown in inches) below show the mounting hole locations of the wall mount bracket and the overall size of the assembly with the dock attached. The power supply is designed to go behind the unit on the horizontal shelf.



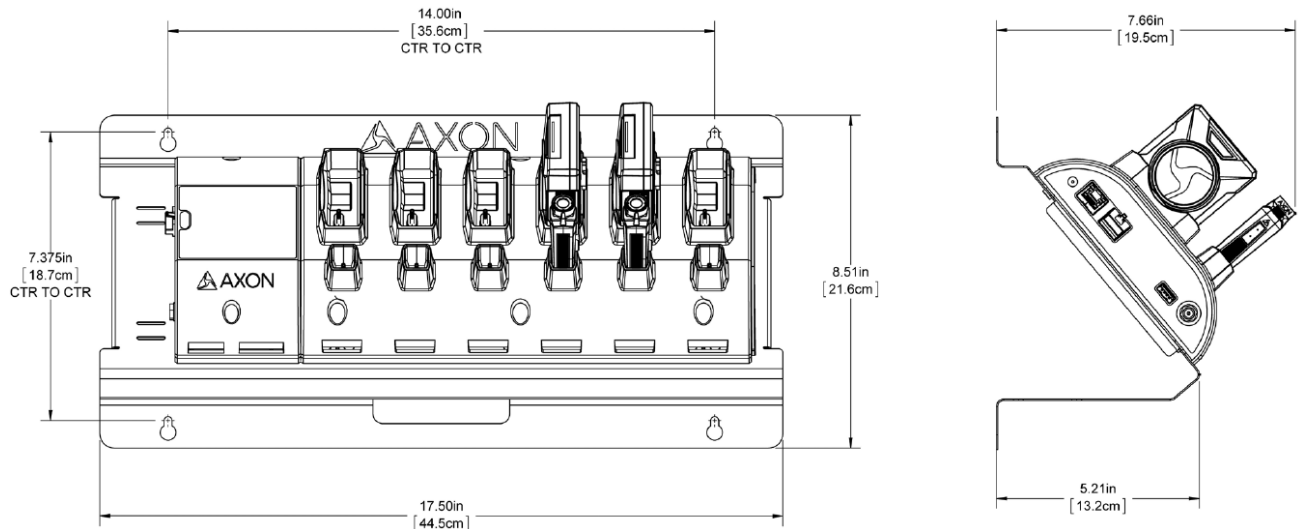
Axon Dock including 6-bay for Axon Flex systems (shown) and Axon Body cameras



Axon Dock including 6-bay for Axon Body 2 (shown) and Axon Fleet cameras



Velcro is a trademark of Velcro Industries B.V.



Axon Dock including 6-Bay for Axon Flex 2 systems

You can use the overall size of the wall mount bracket to determine the spacing and fit between multiple assemblies. The power input and Ethernet input are also shown above.

All required mounting hardware is shipped with the wall mount bracket. (Mounting hardware, drywall anchors and screws, screws for mounting to studs, cable zip ties and Velcro straps.)

Support

Please contact our Customer Service department with any other questions.