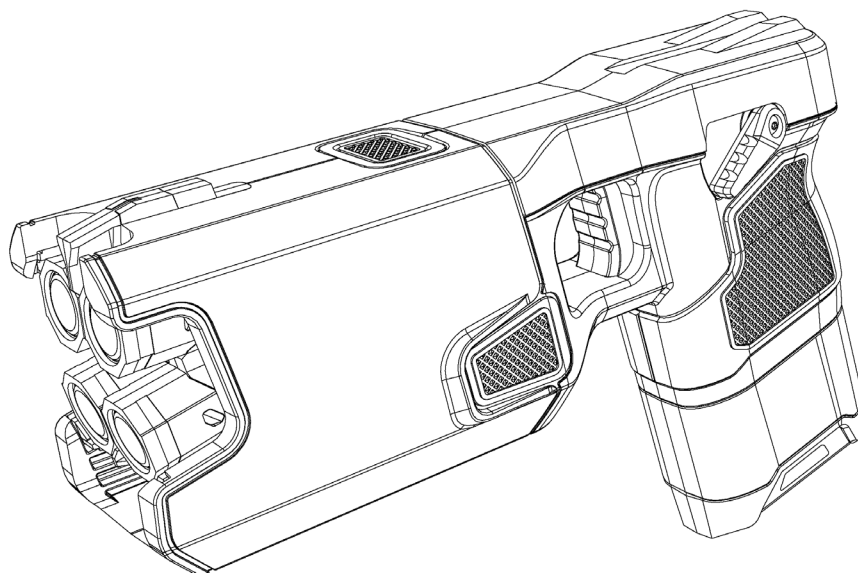




# TASER 7 CQ Professional Series Energy Weapon User Manual



Model TS1018, TS1019



## **IMPORTANT SAFETY INSTRUCTIONS**

Read all warnings and instructions. Save these instructions.

The most up-to-date warnings and instructions are available at [www.axon.com](http://www.axon.com)

MMU0076 Rev: B

April 2025

For more cartridges or fresh batteries, go to [taser.com](http://taser.com)



# Contents

<b>1</b>	<b>Chapter 1: Overview</b>
<b>1</b>	<b>Important Safety and Health Information</b>
<b>2</b>	<b>LASER Information</b>
<b>4</b>	<b>Chapter 2: Ownership</b>
<b>5</b>	<b>Chapter 3: Introduction to the TASER 7 CQ Energy Weapon</b>
<b>5</b>	<b>What Is the TASER 7 CQ Energy Weapon?</b>
<b>5</b>	Neuromuscular Incapacitation (NMI)
<b>5</b>	Basic TASER 7 CQ Energy Weapon Electrical Theory
<b>7</b>	<b>Chapter 4: TASER 7 CQ Energy Weapon Features</b>
<b>7</b>	<b>Safety</b>
<b>8</b>	<b>Arc Switch</b>
<b>8</b>	<b>Battery Pack</b> <sup>(Model TS1006)</sup>
<b>9</b>	Changing the Battery Pack
<b>9</b>	<b>Speaker</b>
<b>9</b>	<b>Automatic Shut Down (AS)</b>
<b>10</b>	<b>Central Information Display (CID)</b>
<b>10</b>	Cartridge Icons
<b>11</b>	System Status Icons
<b>11</b>	Battery Level Icons
<b>12</b>	Sample CID Displays
<b>13</b>	Probe-Deployment Mode
<b>13</b>	Spark Duration
<b>13</b>	Arc Switch
<b>13</b>	<b>LASER and Mechanical Sights</b>
<b>14</b>	<b>LED Flashlight</b>
<b>14</b>	<b>Trigger Switch</b>









15	Method of Operation
15	<b>Stealth Mode</b>
16	<b>Function Test Mode</b>
17	<b>Chapter 5: Cartridges and Energy Weapon Operation</b>
17	<b>Remove the Cartridges from the Safety Clip</b>
17	<b>Cartridge Pair Assembly</b>
18	<b>TASER 7 Cartridge Characteristics</b>
19	<b>Digital Anti-Felon Identification (AFID)</b>
19	<b>TASER 7 Cartridges General Instructions</b>
20	Loading the TASER 7 Cartridges
21	Cartridge Release Button
22	Unloading
22	<b>Practicing with the TASER 7 CQ Energy Weapon</b>
24	<b>Aiming and Probe Placement</b>
24	<b>Using the TASER 7 CQ Energy Weapon</b>
25	<b>Deployment Instructions for Self-Defense</b>
25	“Silence is Golden”
25	Potential Causes of Reduced or No Effectiveness
26	<b>Warning Arc Display</b>
26	<b>What If I Miss?</b>
27	<b>Electrodes</b>
27	<b>Contact-Stun (Drive-Stun) Backup</b>
28	<b>Chapter 6: Maintenance/Troubleshooting</b>
28	<b>General Concepts</b>
28	<b>Function Test</b>
29	<b>Troubleshooting</b>
29	LASER Sight and Flashlight Do Not Turn On
29	The Display is Inverted
30	<b>Chapter 7: Additional Items</b>
30	<b>Product Support</b>
30	<b>Legality</b>
30	<b>Warranty</b>
30	<b>Warnings</b>
30	<b>Medical Research</b>
31	<b>Radio Waves</b>

32	Compliance Marks
32	Feature Availability

# Chapter 1: Overview

## Important Safety and Health Information

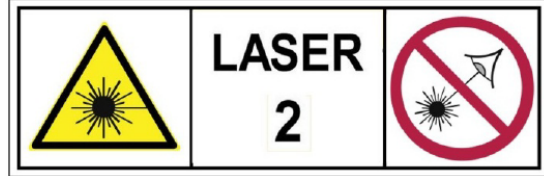
The safety warnings posted at [www.axon.com](http://www.axon.com) are for your protection as well as the safety of others. Disregarding this information could result in death or serious injury.

 <b>WARNING!</b>			
 <table border="1" style="display: inline-table; vertical-align: middle;"><thead><tr><th style="background-color: #f4a460; text-align: center;"> <b>WARNING</b></th></tr></thead><tbody><tr><td><b>Energy Weapon</b><ul style="list-style-type: none"><li>• Can temporarily incapacitate target.</li><li>• Can cause death or serious injury.</li><li>• Follow warnings, instructions and all laws</li><li>• Comply with current training materials and requirements.</li><li>• See <a href="http://www.axon.com">www.axon.com</a></li></ul></td></tr></tbody></table>		 <b>WARNING</b>	<b>Energy Weapon</b> <ul style="list-style-type: none"><li>• Can temporarily incapacitate target.</li><li>• Can cause death or serious injury.</li><li>• Follow warnings, instructions and all laws</li><li>• Comply with current training materials and requirements.</li><li>• See <a href="http://www.axon.com">www.axon.com</a></li></ul>
 <b>WARNING</b>			
<b>Energy Weapon</b> <ul style="list-style-type: none"><li>• Can temporarily incapacitate target.</li><li>• Can cause death or serious injury.</li><li>• Follow warnings, instructions and all laws</li><li>• Comply with current training materials and requirements.</li><li>• See <a href="http://www.axon.com">www.axon.com</a></li></ul>			
	<b>Read and Obey</b> <p>Significant differences exist between different TASER Energy Weapon models. Do not use or attempt to use any energy weapon model unless you have read, understood, and are following all current instructions, warnings, and relevant TASER training materials before using TASER energy weapons. Failure to do so could increase the risk of death or serious injury to the user or others.</p>		
	<b>Obey Applicable Laws</b> <p>Use of energy weapons must be legally justified and comply with applicable federal, state, and local laws and regulations.</p>		
	<b>Store in a Secure Location</b> <p>Energy weapons and cartridges are weapons and, as with any weapon, follow safe weapon-handling practices and store your energy weapon securely. Store energy weapons, cartridges, and accessories in secure locations inaccessible to children and other unauthorized persons to prevent inappropriate access or use.</p>		

For a complete list of product warnings, go to [www.axon.com](http://www.axon.com).

# LASER Information

**⚠ WARNING!**



LASER RADIATION  
DO NOT STARE INTO BEAM  
CLASS 2 LASER PRODUCT



**⚠️ WARNING!**

LASER RADIATION  
DO NOT STARE INTO BEAM  
CLASS 3R LASER PRODUCT





**LASER APERTURE**

MAX. OUTPUT: 5 mW, WAVELENGTH: 510-680 nm.  
CLASS 3R LASER PRODUCT (COMPLIES WITH 21 CFR 1040.10 AND 1040.11 EXCEPT FOR CONFORMANCE WITH IEC 60825-1 ED. 3, AS DESCRIBED IN LASER NOTICE NO. 56, DATED MAY 8, 2019), (IECEN 60825-1:2014 (AUGUST 2014))

**TASER® ENERGY WEAPON**

- Can temporarily incapacitate target.
- Can cause death or serious injury.
- Obey warnings, instructions and all laws.
- Comply with current training materials and requirements.

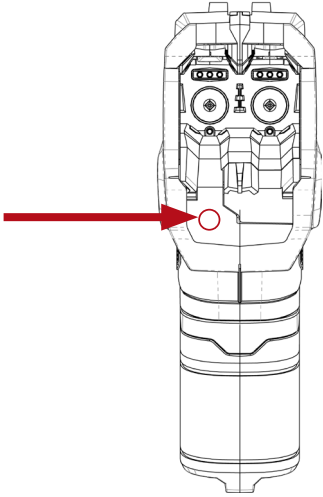
CE      

CAN ICES-3 (B)/NMB-3(B)

**AXON ENTERPRISE, INC.**  
Patent: [www.axon.com/patents](http://www.axon.com/patents)  
ASSEMBLED IN THE USA

**⚠️ WARNING!**

AVOID EXPOSURE – LASER RADIATION IS EMITTED FROM THIS APERTURE



CFR 1040.10 (h) (l) (iv) requirement:

**⚠️ CAUTION! LASER RADIATION EXPOSURE**

Use of controls, adjustments or procedures other than those specified herein may result in hazardous radiation exposure.

## Chapter 2: Ownership

Do not point the energy weapon at any law enforcement officer or do anything that would cause law enforcement officers to feel threatened by your use of the energy weapon. Because the TASER energy weapon is able to temporarily incapacitate a person, law enforcement officers may be justified to use lethal force to protect themselves.

Although the TASER 7 CQ Professional Series energy weapon incorporates yellow components to distinguish it as a non-firearm, it could be mistaken for a firearm. Take appropriate care in carrying and displaying the TASER 7 energy weapon. Do not modify the TASER 7 CQ energy weapon or do anything to the energy weapon to make it look like a firearm.

Do not give a TASER energy weapon away as a gift or sell it without providing the new owner's name, email address, and phone number to customer service at [team@taser.com](mailto:team@taser.com). For more information, see *Legality* (Chapter 7).

Taking a TASER-brand energy weapon into a state or municipality where energy weapons are prohibited (see [taser.com](http://taser.com) for a current list) or out of the United States (US) without the proper export license is prohibited by law (similar prohibitions may exist in other countries).

Check with the Transportation Security Administration (TSA) or any other relevant agency for the most recent regulations to determine whether you are permitted to travel aboard a commercial airplane with a TASER energy weapon. Check local laws to determine whether you may possess or carry a energy weapon in your destination.

It is recommended that you carry the TASER 7 CQ energy weapon only in a manufacturer approved holster or carrying case.

# Chapter 3: Introduction to the TASER 7 CQ Energy Weapon

## What Is the TASER 7 CQ Energy Weapon?

The TASER 7 CQ energy weapon is a firmware upgradeable, 2-shot weapon manufactured by Axon Enterprise, Inc.

The TASER 7 CQ energy weapon uses two replaceable TASER 7 Cartridges containing compressed nitrogen to deploy two small probes that are attached to the TASER 7 CQ energy weapon by insulated conductive wires. The TASER 7 energy weapon transmits electrical pulses along the wires and into the body which are designed to affect the sensory and motor functions of the peripheral nervous system and cause involuntary muscle contractions. The cartridges have an effective range of 12 feet (3.7 m). The TASER 7 CQ energy weapon deploys the cartridges one at a time. It is possible to apply energy beyond the initial burst to a deployed cartridge without deploying the remaining cartridge. It also is possible to apply a Warning Arc display or drive-stun without deploying any of the cartridges loaded in the energy weapon.

The TASER 7 CQ energy weapon has an estimated useful life of five years.

### Neuromuscular Incapacitation (NMI)

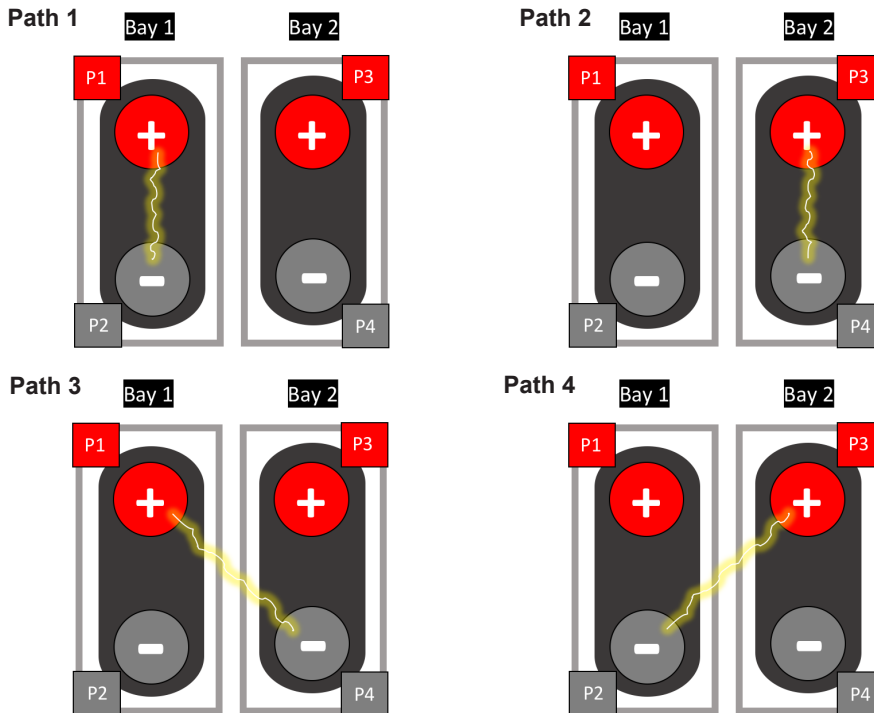
TASER technology is designed to use electrical impulses similar to those in your body's nervous system to cause stimulation of the sensory and motor nerves. Neuromuscular incapacitation (NMI) occurs when an energy weapon is able to cause involuntary stimulation of both the sensory nerves and the motor nerves. It is not dependent on pain and can be effective on subjects with a high level of pain tolerance.

Previous generations of stun guns primarily affected the sensory nerves only, resulting in pain compliance. A subject with a very high tolerance to pain (e.g., a drug abuser, person in serious psychological distress or a trained, focused fighter) may not be affected by the pain or may be able to fight through the pain of a traditional stun gun.

### Basic TASER 7 CQ Energy Weapon Electrical Theory

- Electricity must be able to flow between the probes or the electrodes to deliver an electrical charge and will generally follow the path of least resistance.
- Generally, the greater the spread between the probes on the target, the greater the effectiveness.
- Electricity will generally not pass to others in contact with the subject unless contact is made directly between or on the probes, or the wires are touched.
- Exposure to water will not increase the power to the subject. The delivered electrical charge is fixed inside the TASER energy weapon, and will not increase significantly even with environmental changes.

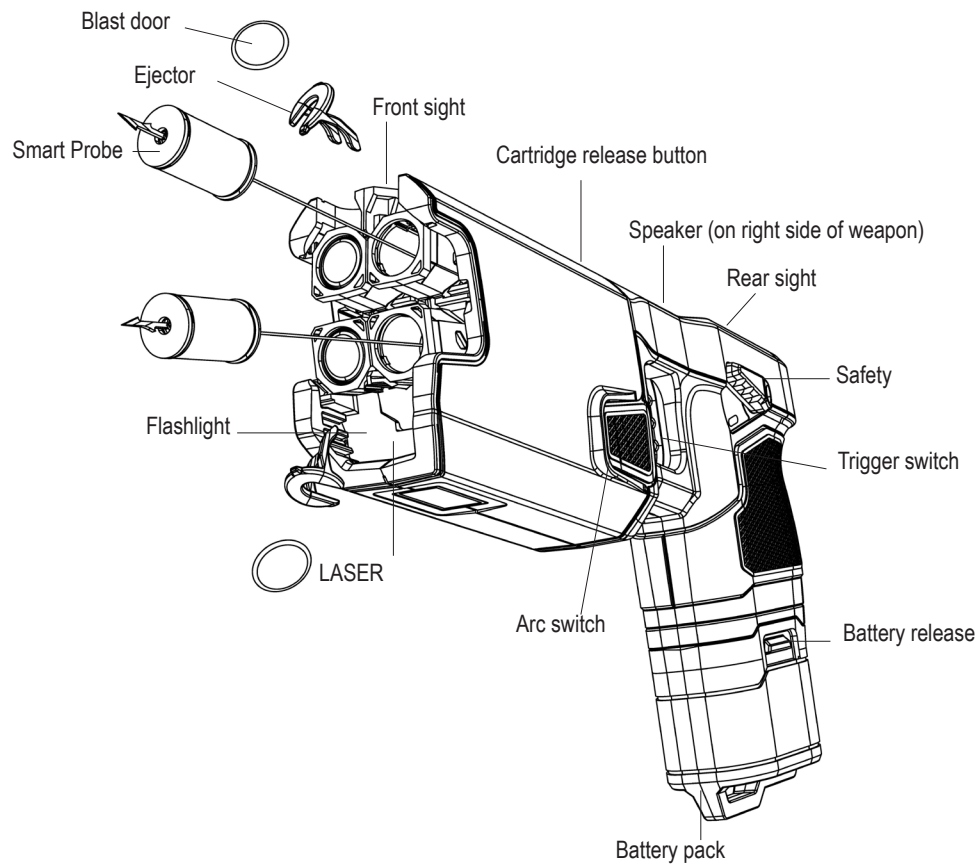
- The TASER 7 CQ energy weapon always defaults to a 5-second activation, with activation by the trigger or either Arc switch.
- After the second cartridge has been deployed, the TASER 7 CQ energy weapon will always try to deliver an Adaptive Cross Connect across all available electrode paths, delivering discharges using up to four probes from the two cartridge bays. The Adaptive Cross Connect Technology delivers electrical pulses in sequence, at up to 44 pulses per second, between all positive and negative probe combinations: Left top probe to left bottom probe; left top probe to right bottom probe, right top probe to right bottom probe, and right top probe to left bottom probe. (The illustrations below are from the perspective of someone behind the cartridge bays, holding the weapon.)



- The Adaptive Cross Connect (ACC) technology can make the TASER 7 CQ energy weapon effective even if some probes do not hit the target. Electricity is intentionally driven between all contacts to maximize the impact of the probe deployment and to compensate for close probe spreads or clothing disconnects. ACC will attempt good quality connections more frequently if it detects that other paths do not have a good connection.
- The Charge Metering technology is designed to maintain a fixed charge output independent of load conditions: good connection, partial connection, arcing to skin, etc.

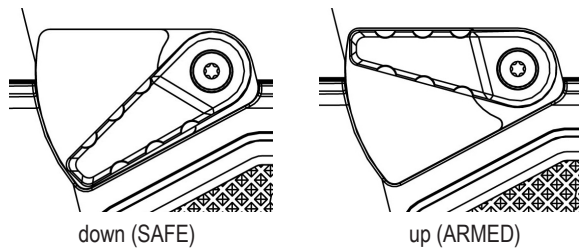
# Chapter 4: TASER 7 CQ Energy Weapon Features

Get to know the TASER 7 CQ energy weapon.



## Safety

Ambidextrous safety that can be operated from either side of the energy weapon.



- Safety down (SAFE).
- Safety up (ARMED) and ready to deploy.
- Do not block the safety on one side of the energy weapon while attempting to move it on the other side. This can break the safety and disable the energy weapon.
- If the energy weapon's safety is left in the up (ARMED) position for more than 20 minutes, the energy weapon will dim to avoid draining the battery.
- If the weapon has not detected any user activity (Arc switch press or trigger pull) for five minutes, the weapon will enter into "power save mode." In power save mode, the LASERs and LED flashlight will dim, and the CID will remain illuminated. Power save mode can be exited by quickly tilting the device vertically down and then up, or up and then down within 0.5 seconds. When in power save mode, the weapon will still react to a trigger pull and deploy a cartridge. Pressing the Arc switch will also exit power save mode.
- If the safety is in the up (ARMED) position and the energy weapon has not been moved in 20 minutes, the weapon turns off to avoid draining the battery.
- Perform *one* of the following procedures to return the energy weapon to ARMED mode:
  - ◇ Move the safety to the down (SAFE) position and then move it back to the up (ARMED) position.
  - ◇ Press both Arc switches simultaneously.

## Arc Switch

The Arc switch is used to employ a Warning Arc Display. Arc switch functions are described in *Warning Arc Display* (Chapter 5). The weapon will arc for as long as the Arc switch is held down. If there has been a probe deployment, a momentary press of any Arc switch will result in a 5-second activation across the front of the weapon, or across all deployed cartridges.

## Battery Pack<sup>(Model TS1006)</sup>

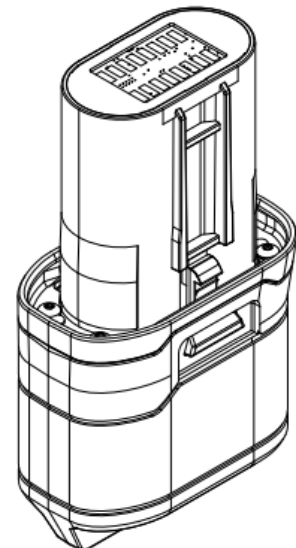
Battery packs should be stored in their original packaging, including the desiccant bag, until they are to be used. Do not store the battery pack anywhere that the gold contacts on the top of the battery pack may touch metal objects. If you cause an electrical short between these contacts, the short will drain the lithium energy cells and may cause the pack itself to become dangerously hot. This battery pack is not rechargeable.

**The battery pack is a lithium energy cell power supply system for the energy weapon. Battery packs contain data from the weapon.**

**Note:** TASER 7 battery packs will not work with previous-generation energy weapons such as the X1, X2, X26C, and X26P.

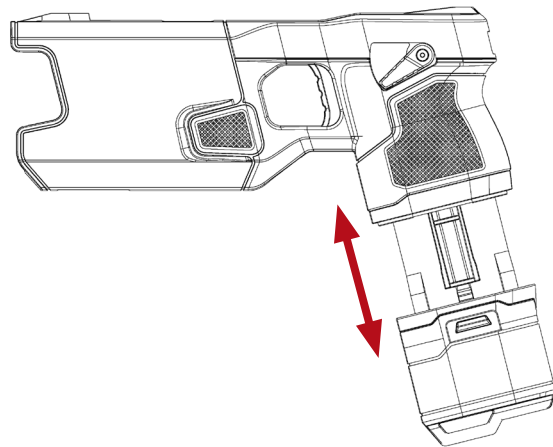
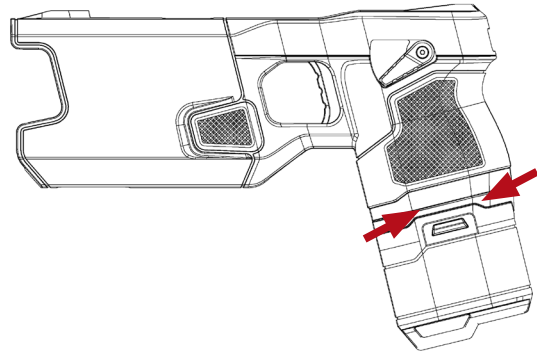
Battery packs have a useful life of approximately 500 single-bay discharges. Battery capacity may vary depending on temperature, environment, use of the flashlight and other factors. Battery packs will deplete faster in colder weather and increased use of the flashlight.

For more information on installing a battery pack in a energy weapon, see *Changing the Battery Pack*.



## Changing the Battery Pack

- 1 Point the energy weapon in a safe direction.
- 2 Move the safety to the down (SAFE) position.
- 3 Confirm that the *Central Information Display (CID)* is blank.
- 4 To remove the battery pack, depress the battery pack release buttons on each side of the battery pack and remove it from the energy weapon.
- 5 Inspect the battery contacts. Ensure that they appear in working order and are free from dirt or other residue that may interrupt the battery connection to the energy weapon.
- 6 Install the new battery pack and ensure that it is fully inserted into the energy weapon. Apply sufficient force to ensure the battery pack is fully seated. When the battery pack seats properly, the release buttons should pop out from the recessed position with an audible click.
- 7 Pull on the bottom of the battery pack to confirm that it is seated properly.



## Speaker

The TASER 7 CQ energy weapon has a small speaker that can emit beeping alerts through a sound port located on the right side of the weapon's frame just above the trigger.

## Automatic Shut Down (AS)

The TASER 7 CQ Professional Series energy weapon will shut down its electrical output after five seconds. The energy weapon also contains a built-in speaker that alerts you to the impending shut down.

### **Under stressful situations, audio exclusion might prevent you from hearing the audio alert.**

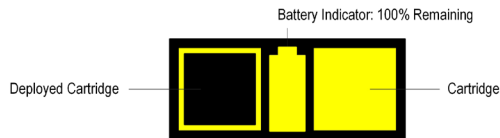
With this feature, shut down will occur five seconds after a trigger-initiated energy burst, but Arc switch functioning will not be affected.

The energy weapon provides an audible beeping alert for the last two seconds of a trigger-initiated cycle before automatically shutting down the cycle. After a 5-second deployment duration, the energy burst will stop even if your finger is still pulling the trigger. The audible beeping alert will continue to sound until the trigger is released. To re-energize the deployed cartridge, first ensure that your finger is off the trigger, and then press the Arc switch.

**Pressing and holding the Arc switch before the 5-second, trigger-initiated cycle has ended will cause the cycle to continue past the 5-second limit.**

## Central Information Display (CID)

The CID is a display on the back of the energy weapon that provides information about the energy weapon. When the safety is moved into the up (ARMED) position, the CID will display the cartridge bays and battery status.



### Cartridge Icons



When a cartridge is loaded into the energy weapon, the cartridge displays on the CID as a yellow rectangle as shown. This cartridge has not been deployed.



After a cartridge has been deployed, the cartridge deployed icon is displayed.



If no cartridge is loaded in the cartridge bay, the space otherwise occupied by a cartridge icon will be blank.



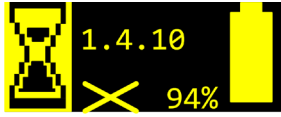
If something is wrong with the cartridge, the cartridge bay error icon is displayed. The icon will blink. If you see this, the cartridge might not deploy. See *Unloading* and *Loading the TASER 7 Cartridges* (Chapter 5) for instructions on unloading and loading cartridges from a TASER 7 CQ energy weapon before performing the steps below:

- 1 Move the safety to the down (SAFE) position.
- 2 Remove the cartridges.
- 3 Reload the cartridges into the energy weapon. Confirm that you hear the distinct “click” sound that indicates the cartridges are fully seated. If you do not hear the “click” sound, the energy weapon should be sent to Axon for RMA. See *Product Support* (Chapter 7) for instructions.
- 4 Move the safety to the up (ARMED) position.
  - If the fault is cleared, continue with daily functional tests and use the cartridges in the field.
  - If the cartridge shows as an X on the CID twice on the same energy weapon, go to step 5.
- 5 Move the safety to the down (SAFE) position.
- 6 Swap the bay position of each cartridge.
- 7 Move the safety to the up (ARMED) position.
  - If the fault is cleared, continue with daily functional tests and use the cartridges in the field.
  - If the fault follows the cartridge and is observed in both bays of the energy weapon, the affected cartridge(s) should be sent to Axon for RMA.
  - If the problem occurs multiple times on the same bay of the energy weapon with two different cartridges, the energy weapon should be sent to Axon for RMA.

## System Status Icons

The system status icons are designed to inform you of a fault in the energy weapon. It is a fault indicator only. It is the user's responsibility to heed the fault indicators, conduct proper maintenance and repair, and ensure that the energy weapon is working properly before any use. Failure to heed the system status icons could cause serious injury or death.

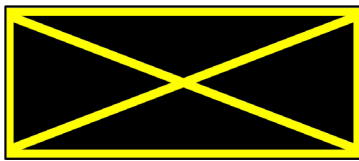
All faults are recorded in the energy weapon's log.



**Major Fault Indication.** A small X indicates that the logging, date and time functions, or the ability for the energy weapon to successfully read the battery pack information are not working properly. The energy weapon will still produce an electrical arc (e.g., the energy weapon should still arc and deploy cartridges), but the accountability functions are compromised.

Move the safety to the down (SAFE) position and then to the up (ARMED) position; the fault may clear.

If the fault still does not clear, do NOT attempt to use the energy weapon. The energy weapon may need to be repaired or replaced. Contacting Axon Technical Support at +1.800.978.2737 can help troubleshoot the problem to determine a potential solution to clear the fault. Otherwise, see *Product Support* (Chapter 7) for instructions.



**Critical Fault Indication.** This icon blinking on the CID indicates a system failure.

Critical faults are rare. Move the safety to the down (SAFE) position and then to the up (ARMED) position; the fault may clear.

If the fault does not clear, do NOT attempt to use the energy weapon. The energy weapon may need to be repaired or replaced. See *Product Support* (Chapter 7) for instructions.

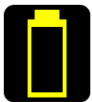
## Battery Level Icons



The battery is fully charged.



The battery is not fully charged, but still serviceable.



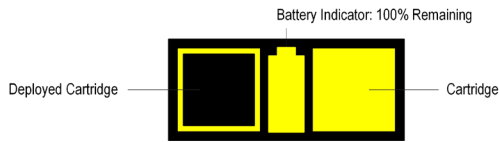
The battery needs to be replaced. This icon will blink.



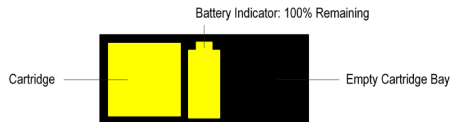
**Battery Error.** If you see a blinking battery icon with an X through it, this indicates that the energy weapon did not recognize the battery correctly. Remove the battery pack and reinsert it. If the error is still present, try another battery pack. If the icon still displays, the energy weapon should be serviced. See *Product Support* (Chapter 7) for instructions.

## Sample CID Displays

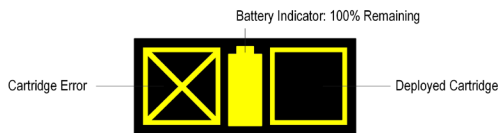
The CID below shows a TASER 7 CQ energy weapon loaded with two cartridges, one of which is deployed. The battery is still at full capacity.



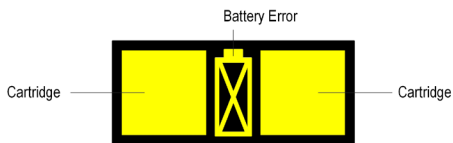
The CID below shows the left cartridge bay loaded, and the right cartridge bay empty. The battery is at full capacity.



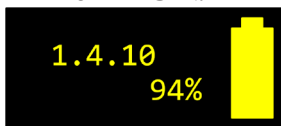
The CID below shows that the left cartridge has an error, and the right cartridge is deployed. The battery is at full capacity.



The CID below shows that two cartridges are ready to be deployed, but there is a battery error.



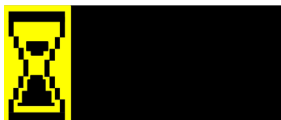
The CID below shows a CID in Function Test mode. With the safety in the down (SAFE) position, the TASER operator has pressed both Arc switches simultaneously. The firmware version and the remaining battery charge (percentage) display.



The CID below shows the energy weapon is in the Function Test mode after the TASER operator moves the safety to the up (ARMED) position. The colors are reversed in Function Test mode—the background is yellow, and the loaded cartridges are black.



The CID below shows a energy weapon updating firmware or synchronizing its log to the battery pack. Do not remove the battery pack from the energy weapon until the hourglass icon disappears.



If there are both a battery error and a energy weapon error at the same time, the CID will alternate between the two icons below:



### Probe-Deployment Mode

When the TASER 7 CQ energy weapon trigger is pulled and then released, it delivers an automatic Rapid Arc deployment. The cycle continues for five seconds unless the safety is moved to the down (SAFE) position during the cycle.

In probe-deployment mode, the CID display shows the deployment cycle duration for the cartridge deployed. If you deploy a second TASER 7 Cartridge while the first cycle is running, the CID will continue to show the duration of the first cartridge; the energy weapon will start Adaptive Cross Connect when the second cartridge is deployed and the cycle duration will be extended five additional seconds.

**The cycle can be stopped at any time by moving the safety to the down (SAFE) position.** If both cartridges are cycling and the safety is moved to the down (SAFE) position, then the electrical cycle will stop for BOTH cartridges.

### Spark Duration

The CID displays a count indicating how many seconds the deployment cycle lasts. The energy weapon will count up from the number 1 up to 99. At 99 seconds, the count will restart at one.



### Arc Switch

If you press the Arc switch, the CID will display the deployment cycle duration. The energy weapon will count up.

## LASER and Mechanical Sights

The LASER and the mechanical sights of the TASER 7 CQ energy weapon intersect within a 3-inch (7.6 cm) circle at 15 feet (4.6 m). The top LASER is solid, i.e., it does not blink.

## LED Flashlight

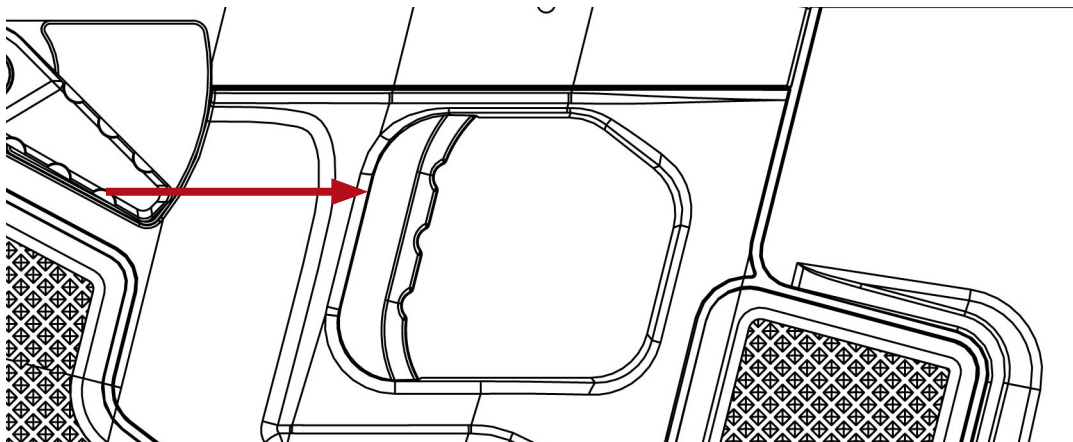
The TASER 7 CQ energy weapon has a 210-lumen flashlight to aid the user in dark environments. The flashlight automatically adjusts to conserve battery power whenever the battery percentage drops below 20%.



## Trigger Switch

Unlike a firearm trigger, the TASER 7 CQ trigger is a momentary electrical switch. The trigger is operational only when the safety is in the up (ARMED) position. Pulling and releasing the trigger will deploy the selected cartridge and result in an approximately 5-second discharge cycle unless the safety is moved to the down (SAFE) position to discontinue the 5-second cycle. Pulling and holding the trigger for more than five seconds will result in a continuous discharge until the trigger is released, the safety is moved downward, or the battery is depleted—whichever happens first. The first cartridge will always deploy from the left bay. The second deployed cartridge will be from the right bay.

**In the event of an accidental discharge, immediately move the safety to the down (SAFE) position to stop the discharge cycle.**



## Method of Operation

**Each sequential trigger pull deploys a cartridge. At the beginning of the event, the leftmost active cartridge is selected by default.**

- 1 Pull the trigger to deploy the selected cartridge.

The TASER 7 CQ energy weapon energizes the left cartridge. Releasing the trigger automatically selects the right cartridge while the left cartridge is deploying and discharging.

If you have engaged a target and contact is good, pressing the Arc switch will apply energy to all deployed cartridge bays, but will not deploy an un-deployed cartridge. This allows you to apply cycles to a continually resisting subject, if needed, without deploying the remaining cartridge. All Arc presses will result in 5-second discharge activations, unless the Arc switch is held, in which case the weapon will discharge until the battery is dead or the Automatic Shutdown Feature stops the discharge after 5 seconds.

- 2 Pull the trigger to deploy the second cartridge.

When both the left and right cartridges are energized each of the two firing bays will run for approximately five seconds. The firing of the right cartridge causes the Adaptive Cross Connect to be activated, and the weapon will discharge up to 44 pulses per second, between all positive and negative probe combinations: Left top probe to left bottom probe; left top probe to right bottom probe, right top probe to right bottom probe, and right top probe to left bottom probe. To re-energize both deployed cartridge bays for five seconds, press momentarily either the Arc switch or the trigger. If the Arc switch or trigger is held down after the 5-second cycle ends, both cartridge bays will continue to cycle until the battery is dead or the Automatic Shutdown feature stops the discharge after five seconds.

**Note:** Moving the safety to the down (SAFE) position stops the cycle for all cartridge bays.

## Stealth Mode

You can set up your TASER 7 CQ energy weapon to turn the flashlight and LASER sights off. When the lights are turned off, the energy weapon is said to be in Stealth mode.

To put the energy weapon in Stealth mode, press both Arc switches and hold them for three seconds. The CID will dim when Stealth mode has been activated. The energy weapon can remain in this mode for 20 minutes before it will timeout. When you move the safety to the up (ARMED) position, the flashlights and LASERs will not illuminate. To take the energy weapon out of Stealth mode, move the safety to the down (SAFE) position.

## Function Test Mode

Placing your TASER 7 CQ energy weapon into the Function Test mode will log everything that occurs as a test. This is ideal for performing function tests.

- 1 Press and release both Arc switches.
- 2 Move the safety to the up (ARMED) position.

The display is inverted. Everything that was black is yellow, and everything that was yellow is black.



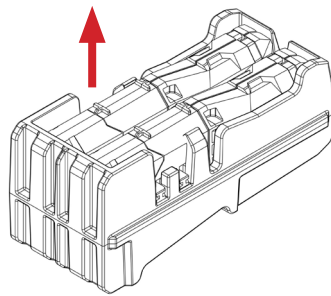
- 3 Perform the test. See *Product Support* (Chapter 7) for more information.
- 4 Move the safety to the down (SAFE) position.

**If you press the trigger in Function Test mode, the energy weapon will return to weapons mode. Depending on the firmware, the weapon may deploy a cartridge.**

# Chapter 5: Cartridges and Energy Weapon Operation

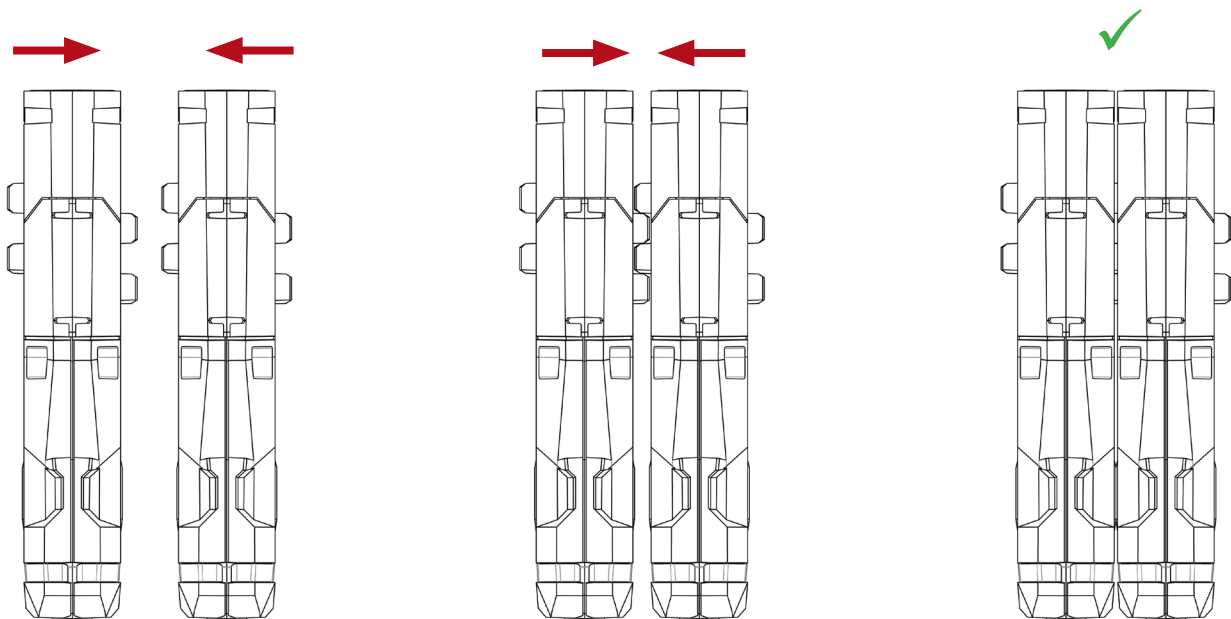
## Remove the Cartridges from the Safety Clip

TASER 7 Cartridges (sold separately) are shipped with a safety clip in place. Carefully remove the cartridges from the safety clip before attempting to load a cartridge into a TASER 7 CQ energy weapon.

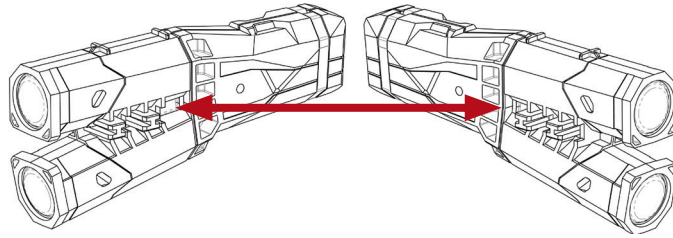


## Cartridge Pair Assembly

TASER 7 Cartridges are shipped in pairs. The two cartridges are pressed together to each other via plastic attachment tabs. They can be pulled apart and put back together. This feature is useful for reloading the energy weapon when only one cartridge has been deployed.



The cartridges may be easier to peel apart if they are pulled away at the front or back end.

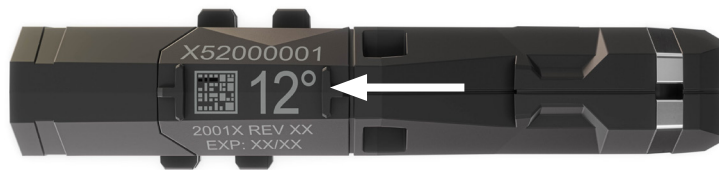


## TASER 7 Cartridge Characteristics

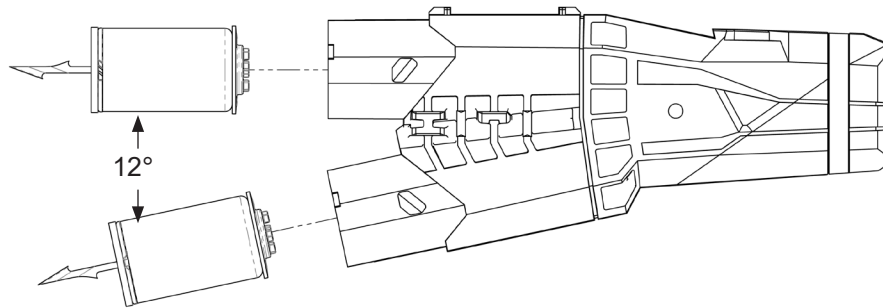
The TASER 7 CQ energy weapon is designed to work with TASER 7 Cartridges manufactured by Axon Enterprise, Inc. Do not use cartridges made by other companies with a TASER 7 CQ energy weapon.



TASER 7 Cartridges sold for home defense have a 12-degree cartridge angle. Cartridge angle is the angle of separation between the top and bottom probes when they are deployed. Cartridge angle is printed on the top of a cartridge.



TASER 7 Cartridges have a wire length of 25 feet (7.6 m). The cartridges can be effective in engagement ranges as close as four feet (1.22 meters). At 12 feet (3.7 m), the probe spread is approximately three feet (0.9 m). This cartridge is considered to have an effective range of 12 feet.



## Digital Anti-Felon Identification (AFID)

When a TASER 7 Cartridge is deployed, the cartridge serial number, date of manufacture, energy weapon serial number, and deployment date and time are recorded in the cartridge. That information transfers to the energy weapon and the battery pack. A deployed TASER 7 Cartridge can be loaded into any TASER 7 CQ energy weapon to retrieve the data from the cartridge.

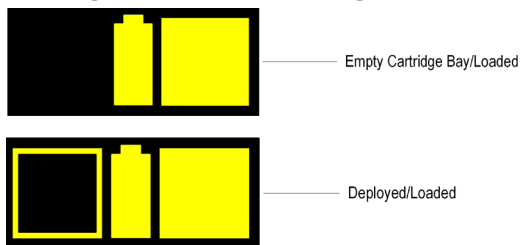
## TASER 7 Cartridges General Instructions

**Never place your hands, fingers or other body part in front of the cartridge. This is especially important when loading and unloading the cartridge. Serious injury could result. When loading and unloading always hold the cartridge on the sides.**

**Remove the TASER 7 Cartridge from the TASER 7 CQ energy weapon before inspection.**

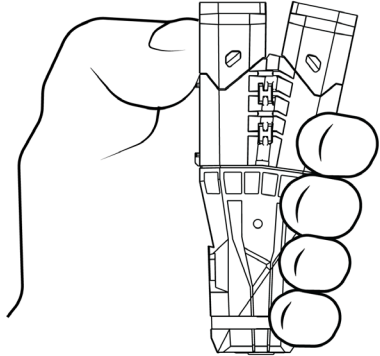
Before installing and using a TASER 7 Cartridge, inspect the blast doors for cracks. The inspection should include the break seams around the blast doors. If the blast doors or seams are cracked, remove the TASER 7 Cartridge from service.

The energy weapon can determine whether the TASER 7 Cartridges loaded in the cartridge bays have been deployed or not. The energy weapon also can determine whether all the cartridge bays are loaded or not. This means the energy weapon will not select an empty bay or a deployed cartridge when a live cartridge is available. Cartridge status is displayed on the CID.



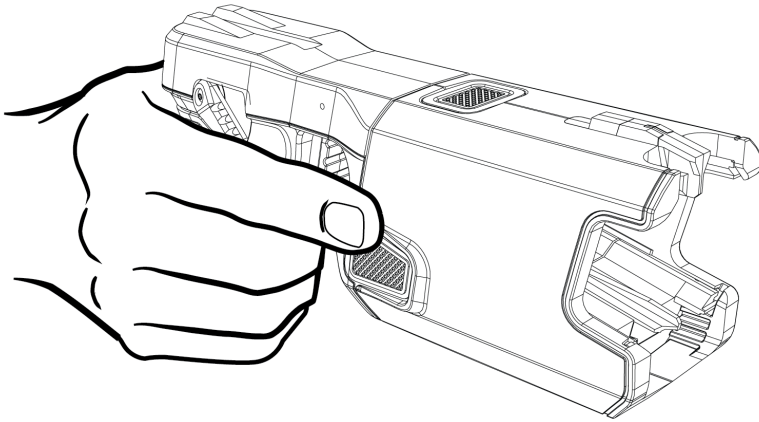
## Loading the TASER 7 Cartridges

TASER 7 Cartridges are shipped with a safety clip in place. Remove these covers before attempting to load a cartridge into a TASER 7 CQ energy weapon. See *Remove the Cartridges from the Safety Clip* for more information.

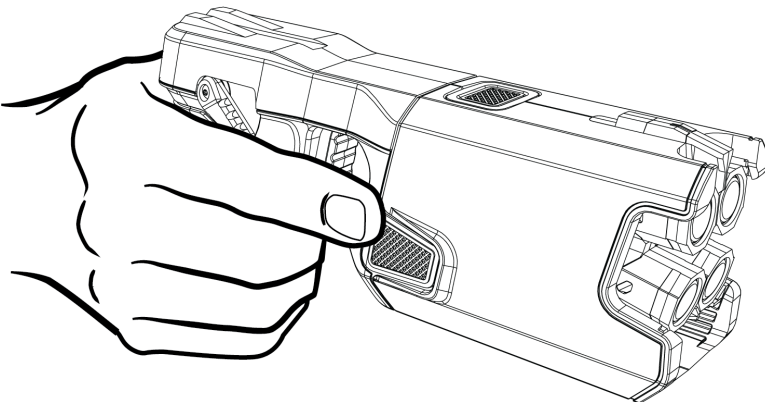


Always treat your TASER 7 CQ energy weapon as if it were loaded.

Unloaded TASER 7 CQ energy weapon viewed at an angle:

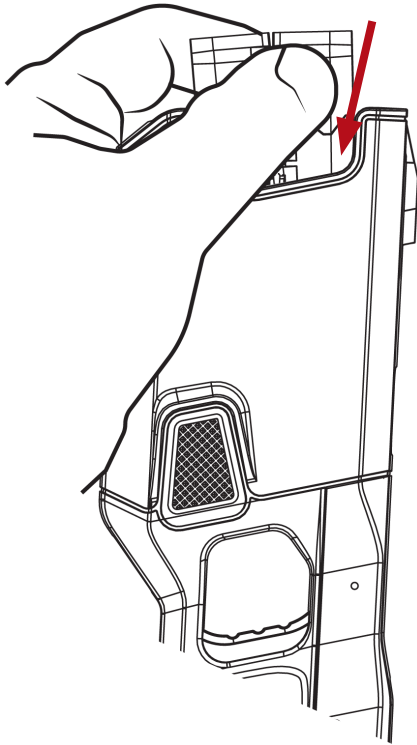


Loaded TASER 7 CQ energy weapon viewed at an angle:



- 1 Point the energy weapon in a safe direction.
- 2 Ensure the safety is in the down (SAFE) position and your finger is not on the trigger or Arc switch.

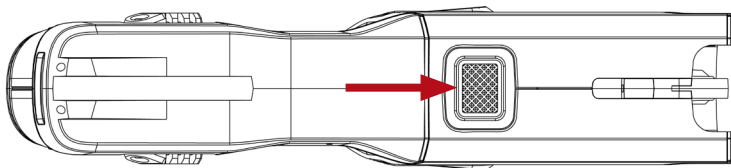
- 3 Ensure the protective safety clip is removed from the TASER 7 Cartridge.
- 4 Keeping your hand away from the blast doors, gently push the TASER 7 Cartridge into the cartridge bay until an audible click is heard.



- 5 Verify that the cartridge is secure by pulling on the sides of the cartridge.

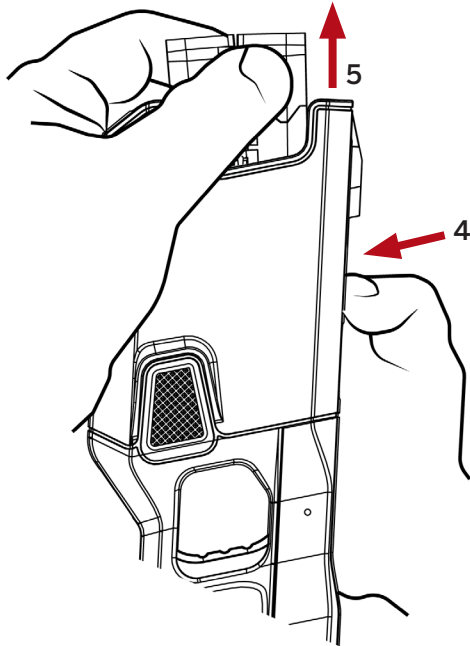
### Cartridge Release Button

TASER 7 Cartridges are held in the TASER 7 CQ energy weapon after they are loaded. Press the cartridge release button to release the cartridges before attempting to remove them from the energy weapon. For further instructions, see *Unloading*.



## Unloading

- 1 Point the energy weapon in a safe direction.
- 2 Ensure the safety is in the down (SAFE) position.
- 3 Keep your hands away from the front of the cartridges.
- 4 With your thumb, press the release button.
- 5 Firmly pull the cartridges out of the bay by pulling on the sides of the cartridges.



Note the orientation of the cartridge; the portion of the cartridge that has writing on it is the top of the cartridge. The top of the cartridge must face the upper part of the cartridge bay. (This is a top view of the cartridge.)



## Practicing with the TASER 7 CQ Energy Weapon

Axon recommends practicing with your TASER 7 CQ Professional Series energy weapon to become familiar with its functions and how it deploys.

Be aware of your surroundings when deciding where to place your training target. Ensure that the target has a firm backing (for example, cardboard or a foam board) that will allow the probes to stick and not bounce off and strike an unintended person or object. Do not use a wooden backing. Do not place the target anywhere a probe that misses or penetrates the target could cause damage or injury.

Do not discharge TASER 7 Cartridges without using a target. Probes that do not strike a target may recoil back at you. We recommend using TASER conductive targets available at [taser.com](http://taser.com) and a thick, penetrable backing.

**Safety first! Always treat your TASER 7 CQ energy weapon as if it were loaded.**

- Wear eye protection when practicing with an energy weapon.
- Never put your hands or other body parts in front of the energy weapon, especially when changing the cartridges.
- Do not inadvertently point any cartridges at yourself or at anyone when loading.
- Cartridge covers must be removed prior to attempting to load.

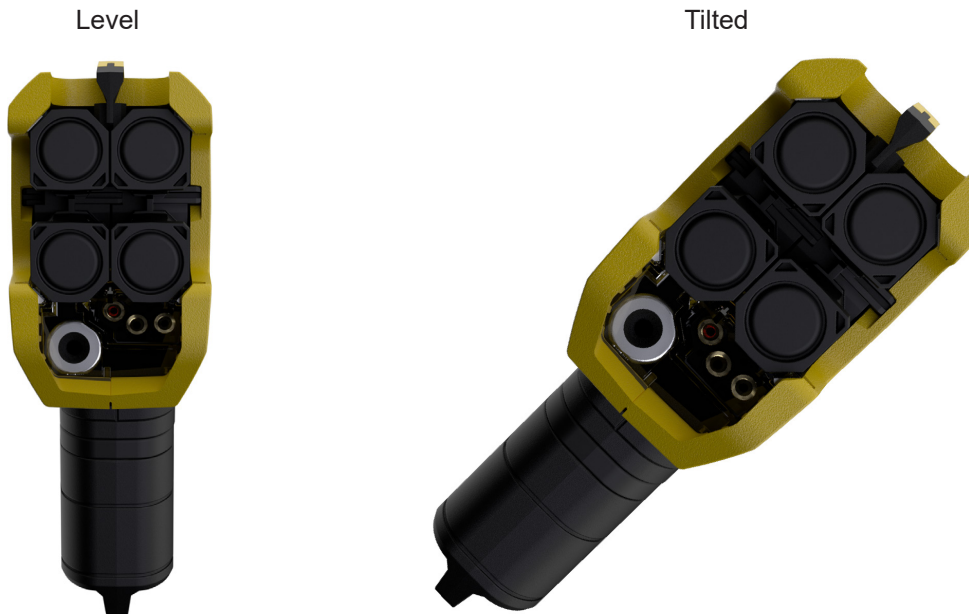
- 1 Point your TASER 7 CQ energy weapon in a safe direction; load the cartridges as described in *Loading the TASER 7 Cartridges* above while keeping your fingers away from the blast doors.
- 2 Point your TASER 7 CQ energy weapon towards the training target and move the safety to the up (ARMED) position.
- 3 Aim your TASER 7 CQ energy weapon at the training target; keep in mind that the LASER is within 2 to 3 inches (5 to 7.6 cm) of the point of impact of the top probe. Aim at the target's lower center of mass (see *Aiming and Probe Placement*). To improve the accuracy of the bottom probe, avoid canting or tilting the energy weapon.



- 4 Remember that the bottom probe comes out at a 12-degree downward angle. The lower cartridge drops approximately 1 foot (0.3 m) for every (approximately) 4 feet (1.2 m) that it travels away from the energy weapon. Stand about 10 feet (3 m) from your target. This will result in a probe spread of about 2.5 feet (0.76 m). Place the LASER high enough on the target so the bottom probe will hit the target.
- 5 Press the trigger switch once to discharge the cartridge and activate the 5-second cycle. Remember that you can discontinue the discharge at any time by moving the safety to the down (SAFE) position.
- 6 After the TASER discharge cycle ends, and the safety is in the down (SAFE) position, unload the expended cartridge as described in *Unloading*. Remove the expended cartridge and replace it with a new one as described in *Cartridge Pair Assembly*.

## Aiming and Probe Placement

For most deployments, hold the energy weapon level. Tilt the energy weapon when necessary to align the energy weapon probes with the target.



When possible, aim the LASER at one of the large muscle groups (lower center of mass) such as the torso or thigh areas, etc.

**When possible, avoid intentionally targeting the energy weapon on sensitive areas of the body such as the head, eyes, throat, chest/breast, or groin unless your safety or the situation dictates otherwise.**

The top probe is designed to impact the target near the LASER beam but exact placement can vary depending on numerous factors, including but not limited to, the distance, movement of the user or attacker, and environmental factors. If both the upper and lower LASERs are active, you should be able to estimate where each probe will hit.

Be sure not to deploy a cartridge at an attacker who is more than 12 feet or 3.7 m away (measure 12 feet or 3.7 m to see how far this is – it will probably be further than you think). If you do deploy at someone more than 12 feet away, the probes might not both make a connection.

## Using the TASER 7 CQ Energy Weapon

The TASER 7 CQ energy weapon is a serious, state-of-the-art defensive weapon and should be treated accordingly. Although the energy weapon is designed to be as nonviolent as possible in stopping a combatant, its use can result in injuries, including but not limited to, a probe embedded in an eye or secondary injuries related to falling.

For a full list of warnings, see [www.axon.com](http://www.axon.com).

The energy weapon is to be used only for lawful purposes, including lawful self-defense or in the defense of others. Check your state and local laws for applicable regulations. Depending on local and state laws, the TASER 7 CQ energy weapon may be kept in the house for home protection, or carried in a car, purse, or backpack for personal protection when away from home. For a list of laws related to energy weapons, known to Axon as of the date of this manual, go to [taser.com](http://taser.com). However, you should not solely rely on this

list and should conduct independent research on each state's applicable laws prior to possessing or transporting the energy weapon (including the transporting of the energy weapon across state lines and into other states where laws may vary).

An energy weapon is not a substitute for other preventive self-protection actions such as ensuring doors are locked, and parking in well-lighted areas.

## Deployment Instructions for Self-Defense

- 1 Obtain the TASER 7 CQ energy weapon and ensure that the cartridges are installed.
- 2 If a person approaches in a manner you perceive to be threatening, move the safety to the up (ARMED) position.
- 3 Aim the LASER beam at the person's body. Avoid intentionally aiming at a sensitive body location such as the head, face, throat, chest, or groin, when possible.
- 4 Shout verbal commands to "get away," if feasible. It is possible that the person will flee based on the verbal commands and LASER.
- 5 If you determine that you need to deploy the TASER 7 CQ energy weapon in self-defense, ensure that you are within 12 feet (3.7 m) of the attacker.
- 6 Press the trigger switch.
- 7 As necessary, press the trigger switch until help arrives.
- 8 As soon as it is safe to do so, call 911 and report the specific location of the threat.

### "Silence is Golden"

The TASER energy weapon's electrical current is relatively quiet when both probes make direct contact with a human and an electrical circuit is completed and maintained. Multiple cartridge deployments and Warning Arc displays are likely to make more noise. An open circuit or some practice conductive targets produce a loud sound when used because the energy is arcing in the air across the TASER 7 CQ energy weapon's fixed electrodes.

If the electrical current is loud during a field deployment, and the subject is not reacting as expected, the current may be shorting out and may not be effective. Deploy a second cartridge or consider other options in that situation.

### Potential Causes of Reduced or No Effectiveness

- **Loose or Thick Clothing.** If the probes lodge in clothing and are too far away from the subject, energy weapon effectiveness may be reduced.
- **Miss or Single Probe Hit.** The electrical current must pass between a positive probe and a negative one (top and bottom probe). If one probe misses, the energy weapon will not be effective.
- **Low Nerve or Muscle Mass.** If the probes impact in an area where there is very little muscle mass (e.g., the side of the rib cage), the effectiveness may be reduced.
- **Limited Probe Spread.** Probe spreads of less than 12 inches/30 cm (including contact-stun) may result in reduced energy weapon effectiveness. They can, however, still function as a pain-compliance device.
- **Wires Break.** If a wire breaks (e.g., during a struggle), the current will not flow to the probes and the energy weapon will not be effective. Contact-stun may still be available.

## Warning Arc Display

With the safety in the up (ARMED) position, pressing and holding the Arc switch displays a Warning Arc discharge across the front of the TASER 7 CQ energy weapon.



With a Warning Arc display, the user may deter an attacker without having to deploy a cartridge. A Warning Arc can be accomplished with the TASER 7 CQ without removing the live cartridges. Pressing the Arc switch does not deploy the TASER 7 Cartridges even if the TASER 7 CQ energy weapon is loaded.

If no cartridges have been deployed, the Warning Arc does not run for a predetermined time. When you release the Arc switch, the Warning Arc discharge stops. However, if you deploy a cartridge and later press the Arc switch, the discharge will run for five seconds, even if you release the Arc switch right away.

**Use the Arc switch, not the trigger, to employ the Warning Arc display. Pulling the trigger will deploy a loaded cartridge.**

## What If I Miss?

The LASER sight is an extremely valuable aid for proper aiming. However, there is always the chance for a missed shot, especially in a dynamic, stressful situation, and you must be prepared to take alternative actions to protect yourself in case of a missed shot or reduced effectiveness. In the event that you shoot and miss, you can also use your TASER 7 CQ energy weapon as a direct contact-stun (drive-stun) device, which is designed for pain compliance.

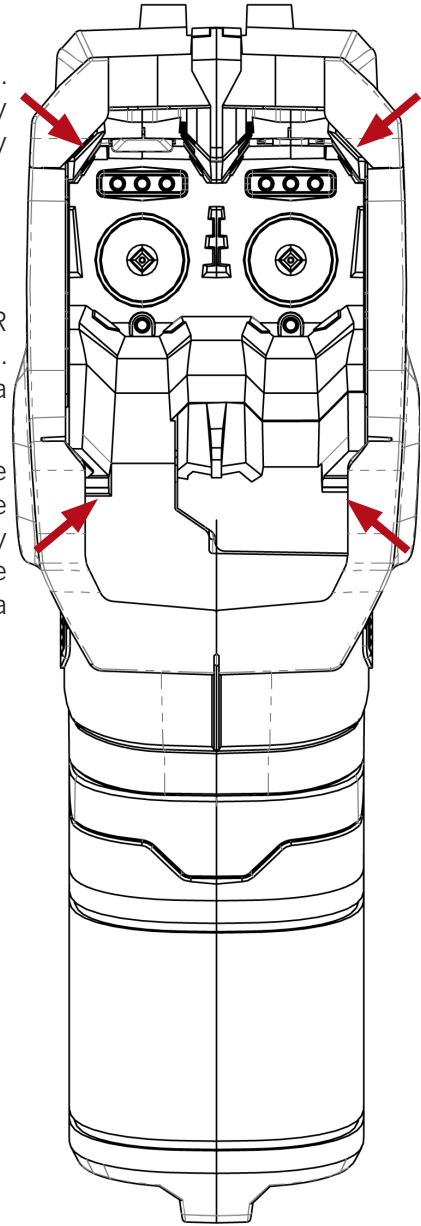
## Electrodes

The front of the TASER 7 CQ energy weapon has four metal electrodes. The electrodes provide the ability to use the TASER 7 CQ energy weapon in “drive-stun” mode as a traditional stun gun-type energy weapon.

## Contact-Stun (Drive-Stun) Backup

Contact-stun (also known as drive-stun) is the use of the TASER energy weapon as a stun gun, rather than by deploying probes. You can contact-stun either without a cartridge installed or after a cartridge has been deployed.

When using a contact-stun, press the Arc switch and push (drive) the front of the energy weapon firmly against the body of the attacker. The subject is likely to recoil from the painful shock and try to get away from the stun electrodes. If the contact-stun is not effective, evaluate the location of the contact-stun and consider an additional cycle to a different location on the body or transitioning to other force options.



# Chapter 6: Maintenance/Troubleshooting

## General Concepts

**The TASER 7 CQ energy weapon product is a sensitive piece of electronic equipment and should be handled with care. Avoid dropping a TASER 7 CQ energy weapon. Do not use a TASER 7 CQ energy weapon that has a cracked handle**

- Check the battery pack regularly. Replace it when the battery percentage drops below 20%. See *Battery Level Icons* (Chapter 4) for more information.
- Occasionally wipe out the TASER 7 CQ cartridge deployment bays with a dry cloth. Multiple cartridge firings create build-up (particularly in humid environments) that should be removed.
- Perform a function test regularly.
- Check the expiration of the TASER 7 Cartridges (the 5-year expiration is listed on the top of the cartridge). Do not use an expired TASER 7 Cartridge.
- Secure the TASER 7 CQ energy weapon in the protective cover when not in use.
- Avoid exposing the TASER 7 CQ energy weapon to excessive moisture or water.
- Avoid immersing the TASER 7 CQ energy weapon in water or exposing the TASER 7 CQ energy weapon to excessive moisture or water.

## Function Test

A function test should be conducted every 30–60 days. The function test is done to verify the energy weapon's core electronics are working properly.

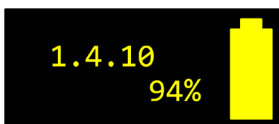
A TASER 7 CQ energy weapon can be function tested with the cartridges loaded. In fact, it is recommended you perform the test with cartridges installed to reduce stress on the energy weapon's components.

To perform a function test:

- 1 Point the energy weapon in a safe direction.
- 2 With the safety in the down (SAFE) position, press and release both Arc switches simultaneously.

**Keep your fingers away from the front of the energy weapon.**

The energy weapon is now in Function Test mode. The CID will display the firmware version and the battery percentage.



- 3 Move the safety to the up (ARMED) position.

The energy weapon is now in Function Test Mode. The colors on the CID will be reversed as shown below—the battery and loaded cartridge icons are black, and the background is yellow.



- 4 Press either Arc switch or both Arc switches. The energy weapon will arc for five seconds.

**Use the Arc switch, not the trigger, to perform a spark test. Depending on the weapon's firmware, pulling the trigger may deploy a loaded cartridge.**

- 5 After the 5-second cycle is over, look at the CID and verify:

- there are no fault icons;
- there are two cartridges present; and
- there is adequate battery capacity.

- 6 View the arc from the top or side of the energy weapon.

**Do not point the energy weapon at your face or have it near your face.**

- Verify electricity is arcing across the electrodes on both sides of the firing bay.

- 7 Move the safety to the down (SAFE) position.

- 8 If any of the above verifications fail, contact Axon Customer Service.

## Troubleshooting

### LASER Sight and Flashlight Do Not Turn On

The energy weapon may be in the stealth mode, which is activated by pressing and holding both Arc switches for three seconds. To take the energy weapon out of the Stealth mode, move the safety to the down (SAFE) position.

### The Display is Inverted

Normally, the battery pack and loaded cartridges display on the CID as solid yellow on a black background. If these icons display as solid black on a yellow background, the energy weapon may be in the function test mode. The function test mode may be activated if both Arc switches are pressed and released. To take the energy weapon out of the function test mode, move the safety to the down (SAFE) position.



Function test mode



Operating mode

# Chapter 7: Additional Items

## Product Support

If you need product support on accessories or have any other questions, please contact consumer customer service at:

team@taser.com

+1.800.978.2737

To return a TASER product for service, first follow the procedures at taser.com.

**If the TASER energy weapon has been exposed to bodily fluids or other biohazards, contact Axon's service department at +1.800.978.2737 or +1.480.905.2000 for specific instructions BEFORE returning the weapon.**

## Legality

The Bureau of Alcohol, Tobacco, Firearms, and Explosives has classified our civilian TASER energy weapons as non-firearms because they use compressed gas, rather than explosives to launch the projectiles. Because civilian TASER energy weapons are not firearms, they may be carried without a permit in certain jurisdictions (check state and local laws for permit requirements in your area). Because state and local laws may change frequently; be sure to research the applicable laws in your area prior to using, possessing, or transporting the energy weapons. Check our website at taser.com for a list of known state and local laws concerning TASER energy weapons.

## Warranty

Please see the product warranty which came with your energy weapon. Axon's current product warranties are also available on [www.axon.com](http://www.axon.com).

## Warnings

See the current product warnings that came with your energy weapon, for more information about your TASER product. Axon's current product warnings are also available on [www.axon.com](http://www.axon.com).

## Medical Research

Medical studies have found that modern pacemakers and implanted cardiac defibrillators withstand external electrical defibrillators that are stronger than the TASER conducted energy pulses.

## Radio Waves



The Axon Signal feature of the TASER 7 Battery Pack transmits in the frequency range of 2402 to 2480 MHz.

Changes or modifications to the equipment not expressly approved by the manufacturer could void the product warranty and the user's authority to operate the equipment.

Your wireless device is a radio transmitter and receiver. It is designed and manufactured not to exceed the emission limits for exposure to radio frequency (RF) energy set by the Federal Communications Commission (FCC) of the U.S. Government. These limits are part of comprehensive guidelines and establish permitted levels of RF energy for the general population. The guidelines are based on standards that were developed by independent scientific organizations through periodic and thorough evaluation of scientific studies. The standards include a substantial safety margin designed to assure the safety of all persons, regardless of age and health. Before a device model is available for sale to the public, it must be tested and certified to the FCC that it does not exceed the limit established by the government adopted requirement for safe exposure. This equipment has been tested and found to comply with the limits for a Class B digital device, pursuant to part 15 of the FCC Rules. These limits are designed to provide reasonable protection against harmful interference in a residential installation. This equipment generates, uses and can radiate radio frequency energy and, if not installed and used in accordance with the instructions, may cause harmful interference to radio communications. However, there is no guarantee that interference will not occur in a particular installation. If this equipment does cause harmful interference to radio or television reception, which can be determined by turning the equipment off and on, the user is encouraged to try to correct the interference by one or more of the following measures:

Reorient or relocate the receiving antenna.

Increase the separation between the equipment and receiver.

Connect the equipment into an outlet on a circuit different from that to which the receiver is connected.

Consult Axon Technical Support for help.

FCC/IC NOTICE: This device meets the body worn human exposure limits found in OET Bulletin 65, 2001, and ANSI/IEEE C95.1, 1992. Proper operation of this equipment according to the instructions found in this guide will result in exposure substantially below the FCC's recommended limits. To comply with the FCC and ANSI C95.1 RF exposure limits, this device has been tested for compliance with FCC RF Exposure limits in the typical configuration. The radiated output power of this wireless device is far below the FCC radio frequency exposure limits.

This device complies with part 15 of the FCC Rules. Operation is subject to the following two conditions: (1) This device may not cause harmful interference, and (2) this device must accept any interference received, including interference that may cause undesired operation.

## Compliance Marks



## Feature Availability

This table shows the differences between the standard TASER 7, TASER 7 CQ, and the TASER 7 CQ Professional Series models.

Feature	TASER 7	TASER 7 CQ	TASER 7 CQ Professional Series
Automatic Shut-Down (AS) option	✓	✓	✓
Axon Signal capability	✓	✓	✗
Compatible with TASER Weapons Dock multi-bay and single-bay	✓	✓	✗
Adaptive cross connect	✓	✓	✓
Two-shot capability	✓	✓	✓
Flashlight	✓	✓	✓
Close Quarter (12-degree) cartridges	✓	✓	✓
Standoff (3.5-degree) cartridges	✓	✗	✗
Green Top LASER sight	✓	✗	✗
Range-adjusting LASER sights	✓	✗	✗
Dual LASER sights	✓	✗	✗
Compact battery pack	✓	✓	✗
Disconnect battery pack	✓	✓	✗
Tactical battery pack	✓	✓	✗
Non-rechargeable battery pack	✓	✓	✓
Tilt select	✓	✗	✗
Black rubberized grip	✓	✗	✗
Virtual reality (VR) training capability	✓	✓	✗

# TASER 7

Product functions and specifications may change without notice and the actual product may vary from the illustrations in this manual.

▲, ▲ AXON, Axon, Evidence.com, TASER, TASER 7, TASER 7 CQ, X1, X2, X26, X26P, and ⚡ are trademarks of Axon Enterprise, Inc., some of which are registered in the US and other countries. For more information, visit [www.axon.com/legal](http://www.axon.com/legal). All rights reserved.  
© 2025 Axon Enterprise, Inc.

MMU0076 Rev: B

