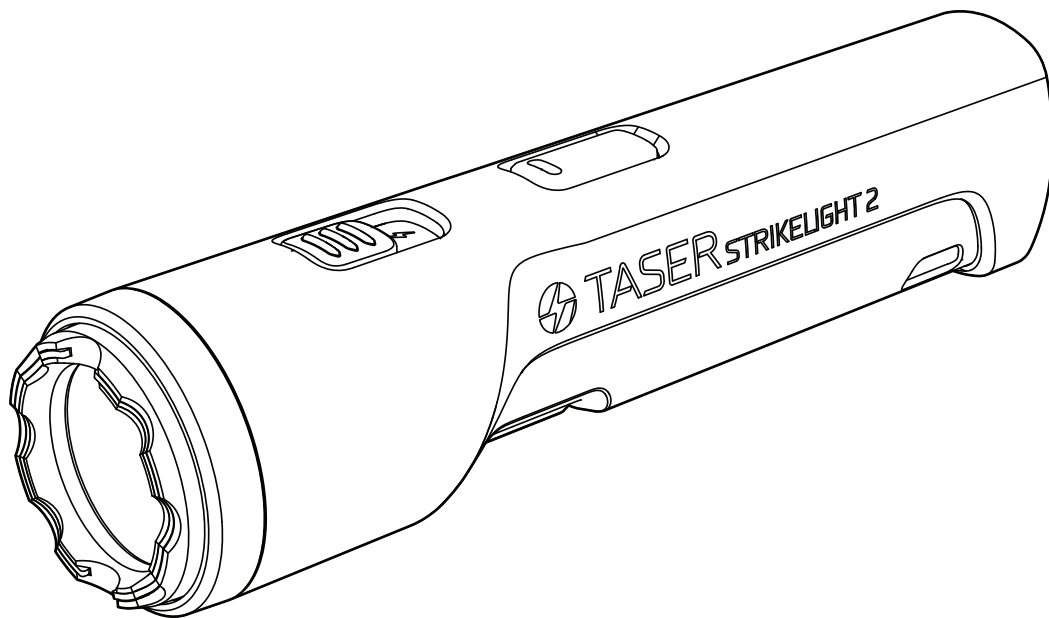




TASER StrikeLight 2 Stun Flashlight User Manual



Models TS1023



IMPORTANT SAFETY INSTRUCTIONS

Read all warnings and instructions. Save these instructions.

The most up-to-date warnings and instructions are available at www.axon.com

MMU0081 Rev: A

March 2022






Contents


1	Chapter 1: Warnings
1	Important TASER Product Safety and Health Information
2	Chapter 2: Introduction
2	What is the TASER StrikeLight 2 Stun Flashlight?
2	Ownership
2	Basic Self-Defense Stun Flashlight Electrical Theory
3	StrikeLight 2 Stun Flashlight Features
4	Safety Switch
4	ARMED Status LED
4	Trigger Button
5	Electrodes
5	Warning Arc Display
5	Flashlight Button
7	Chapter 3: Using the StrikeLight 2 Stun Flashlight
7	Installing the Lanyard (Optional)
8	Contact Stun for Self-Defense
10	Chapter 4: Maintenance and Support
10	Flashlight Maintenance and Care
10	Function Test
10	Recharging the Battery
11	Dropped or Wet Device
11	Product Support
12	Product Returns
12	Legality
12	Warranty
12	Warnings
12	FCC Compliance Statement

Chapter 1: Warnings

Important TASER Product Safety and Health Information

These safety warnings are for your protection as well as the safety of others. Disregarding this information could result in death or serious injury.

 WARNING	
	Read and Obey Significant differences exist between different TASER products. Do not use or attempt to use any TASER product unless you have read, understood, and are following all current instructions, warnings, and relevant TASER training materials before using the product. Failure to do so could increase the risk of death or serious injury to the user or others.
	Obey Applicable Laws Use of stun devices must be legally justified and comply with applicable federal, state, and local laws and regulations.
	Store In A Secure Location Store the StrikeLight stun flashlight in secure locations inaccessible to children and other unauthorized persons to prevent inappropriate access or use. The StrikeLight stun flashlight is a weapon and not a toy.
<div style="border: 2px solid black; padding: 5px;"><div style="background-color: orange; color: white; padding: 2px;"> WARNING</div><ul style="list-style-type: none">• Can cause death, serious injury or pain.• Obey all warnings, instructions and all laws.• See www.axon.com.</div>	

 CAUTION
Before using your StrikeLight stun flashlight, charge the flashlight for 8 hours to ensure the battery is fully charged. See the Recharging the Battery instructions for more information.

Chapter 2: Introduction

What is the TASER StrikeLight 2 Stun Flashlight?

The TASER StrikeLight 2 is a flashlight that also can produce an electrical arc and be used as a stun weapon.

Ownership

Taking a TASER brand flashlight with a stun capacity out of the United States (U.S.) without the proper export license is prohibited by U.S. law (similar prohibitions may exist in other countries).

Do not point the device at any law enforcement officer or do anything that would cause law enforcement officers to feel threatened by your use of the device.

The StrikeLight 2 stun flashlight is a defensive weapon and should be treated accordingly. When used as directed, stun devices are weapons designed to provide a force option that may temporarily repel a person while reducing the likelihood of death or serious injury. The stun function of the StrikeLight 2 stun flashlight is not designed to cause incapacitation like some other TASER products. Any use of force, including the use of a stun device, can cause physical pain or exertion and involves risks that a person may get hurt or die. For a full list of warnings, see the product warnings.

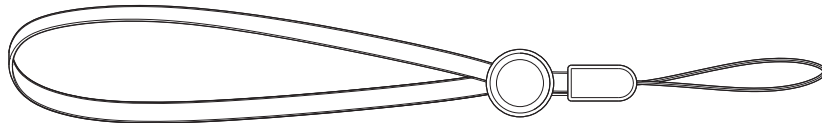
The stun flashlight's arcing feature is to be used only for lawful purposes, including lawful self-defense or in the defense of others. Check your state and local laws for applicable regulations. Depending on local and state laws, the device may be kept in the house for home protection, or carried in a car, a purse, or a backpack for personal protection when you are away from home. Be sure to research each state's applicable laws prior to possessing or transporting the device, including laws concerning transporting the device across state lines and into other states where laws may vary. For a list of known laws related to stun devices and conducted energy weapons, go to buy.taser.com.

Basic Self-Defense Stun Flashlight Electrical Theory

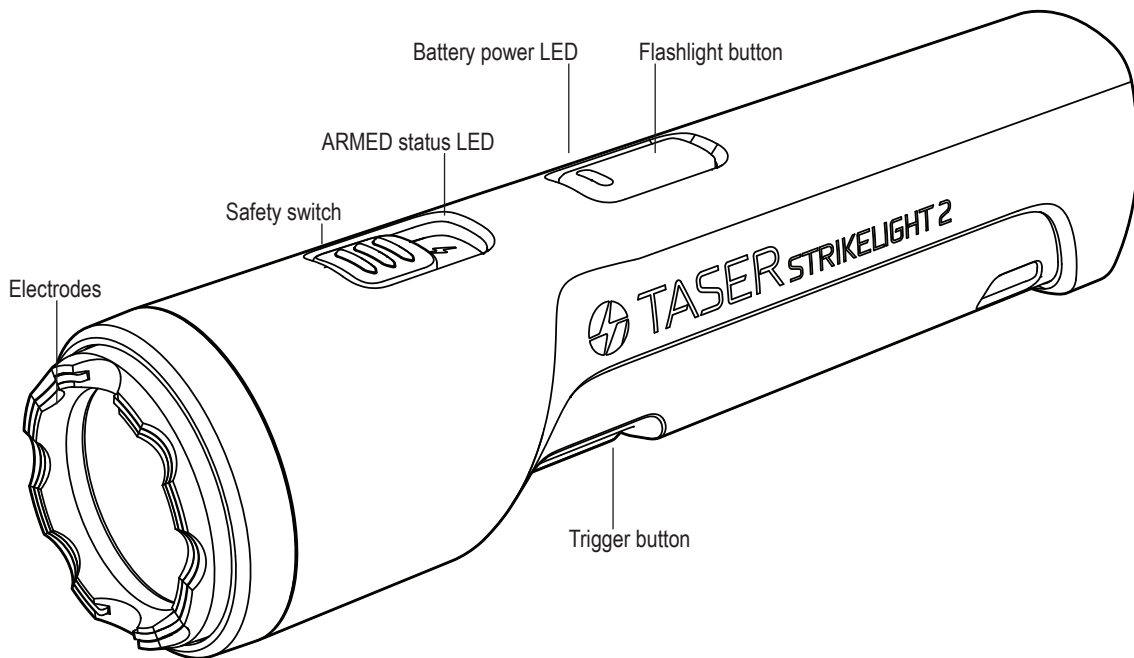
- The front of the stun flashlight must be in contact with the attacker for electricity from the stun function to be delivered.
- Electricity will generally not pass to others in contact with the attacker.

StrikeLight 2 Stun Flashlight Features

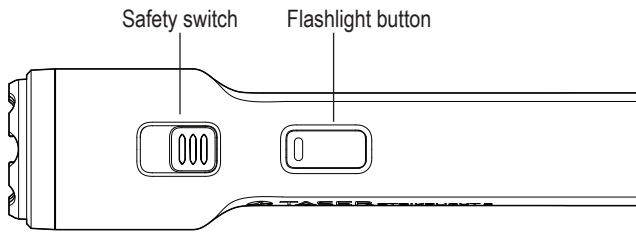
Your StrikeLight 2 package includes the StrikeLight stun flashlight, a lanyard, and a USB charging cable:



Get to know the StrikeLight 2 stun flashlight.



Top view of the StrikeLight 2 stun flashlight.



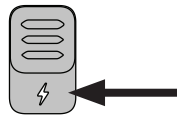
Safety Switch

The safety switch is used to determine whether the StrikeLight 2 stun flashlight can arc. With the safety switch in the rearward (SAFE) position, the stun flashlight will not arc. When the safety switch is in the forward (ARMED) position, the stun flashlight can arc when the trigger button is pressed.



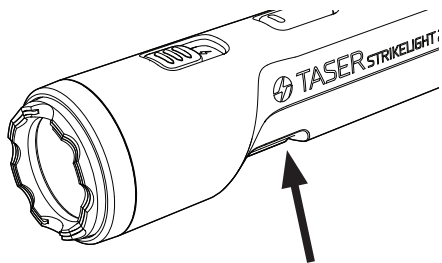
ARMED Status LED

When the safety switch is in the forward (ARMED) position, the electrodes are placed in standby status. The device can arc when the trigger button is pressed. Also, when the safety switch is shifted forward the ARMED status LED will be uncovered and light up.



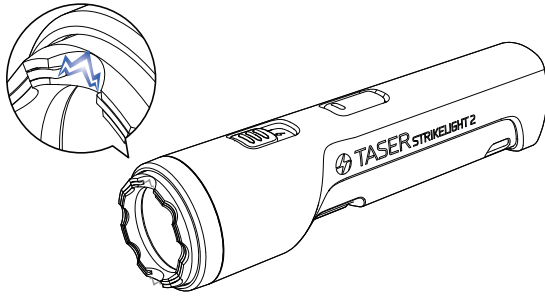
Trigger Button

After arming the stun flashlight, press and hold the trigger button to make electricity arc at the electrodes on the front of the device. Press and hold the trigger button when applying a contact stun to an attacker. The device will arc continually until you release the trigger button or the battery depletes, whichever comes first.



Electrodes

When you press the trigger button, electricity arcs (sparks) from the electrodes.






Warning Arc Display

Pressing the trigger button may be pressed as a warning before an assailant comes into contact distance. The noise and sight of the electrical arc may discourage an attack.

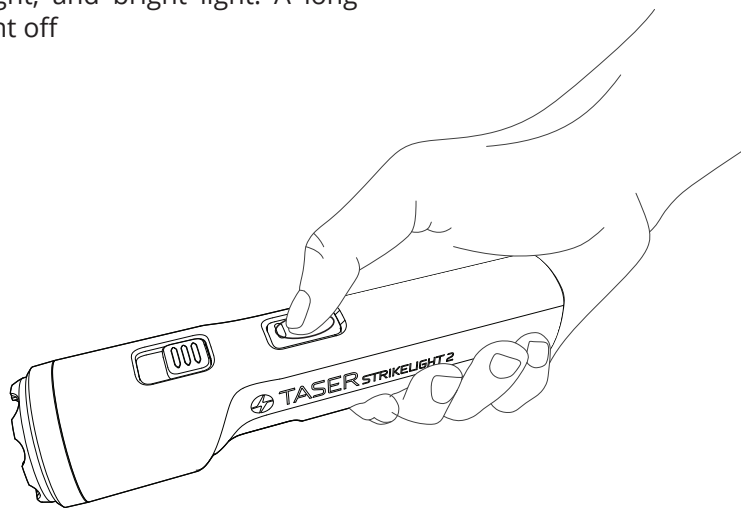
Flashlight Button

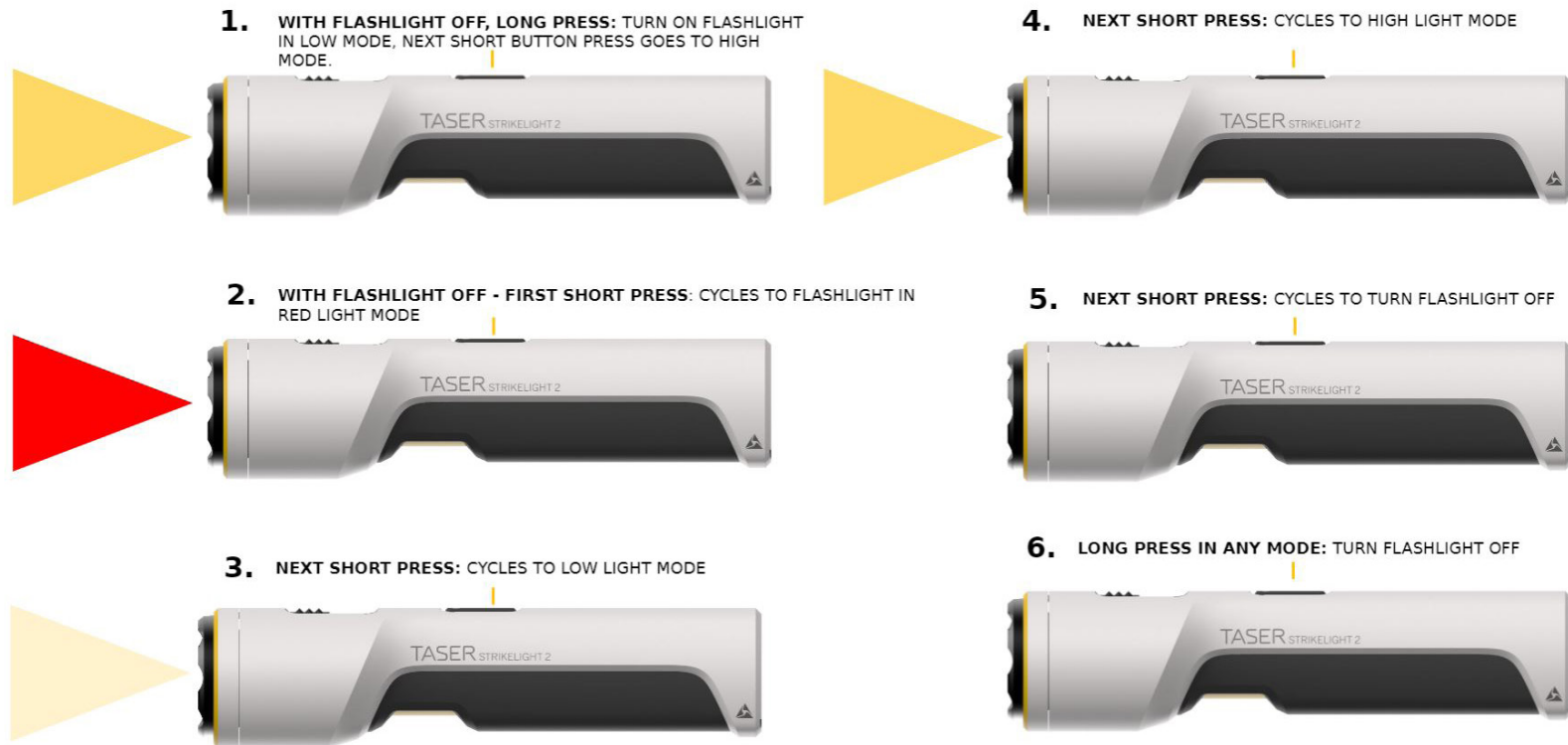
Press the flashlight button to turn on the flashlight. The button incorporates an LED that indicates the battery level. Recharge the flashlight if the LED is red. See *Recharging the Battery* (Chapter 4) for more information



-  Green: full battery
-  Yellow: half charge
-  Red: below 10%

Besides being an on/off switch, pressing the button multiple times cycles the flashlight through a selection of light color and intensity. A short press turns the light on and subsequent short presses take you through the options. The StrikeLight 2 flashlight offers red light, low light, and bright light. A long press turns the flashlight off

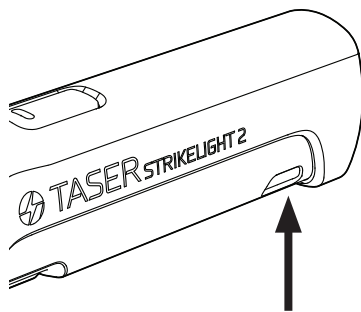




Chapter 3: Using the StrikeLight 2 Stun Flashlight

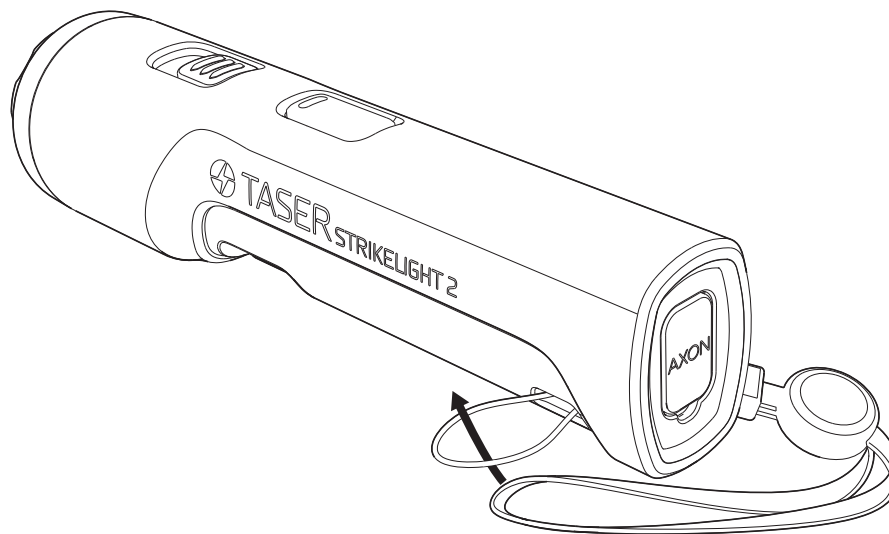
Installing the Lanyard (Optional)

The body of the StrikeLight 2 stun flashlight incorporates an opening that accommodates the lanyard.



To install the lanyard:

- 1 Ensure the safety switch is in the rearward (SAFE) position.
- 2 Insert the small loop of the lanyard through the opening in the stun flashlight.
- 3 Insert the large loop of the lanyard through the small loop and pull it taut.



Contact Stun for Self-Defense

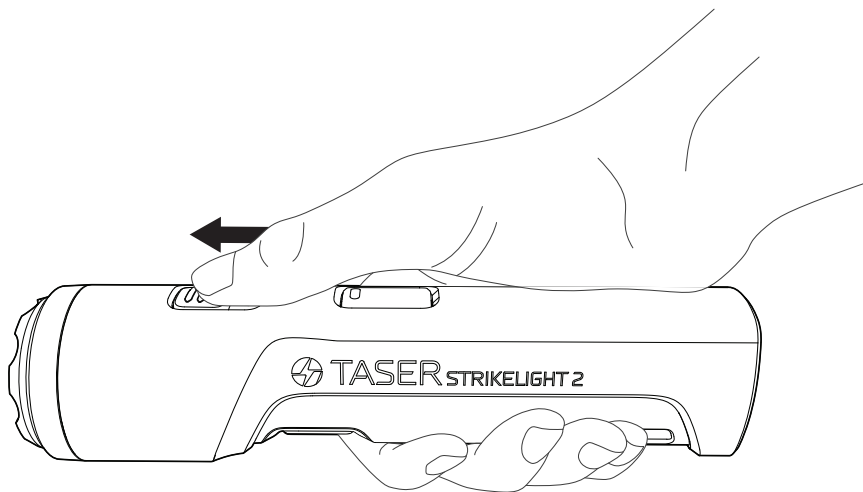
Suggested pressure points are highlighted in the green areas. Use care when applying contact stun to the neck or groin (yellow areas).



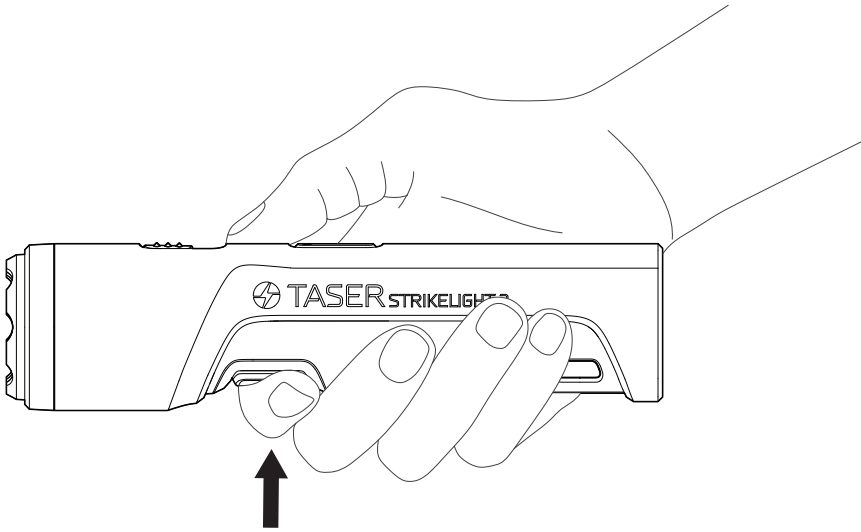
A TASER StrikeLight 2 stun flashlight is not a substitute for other preventive self-protection actions such as ensuring doors are locked, and parking in well-lighted areas.

To contact stun an attacker, perform these actions:

- 1 Shift the safety switch to the forward (ARMED) position.



- 2 Press the trigger button.



- 3 Drive the electrodes into the attacker.
 - When using a contact stun, push (drive) the front of the stun flashlight firmly against the body of the attacker. The subject is likely to recoil from the painful shock and try to get away from the stun electrodes. It is necessary to aggressively drive the front of the stun flashlight into the attacker for maximum effect.
 - Due to automatic reflex actions, most people will struggle to separate from the stun flashlight. It may be difficult to maintain contact between the stun flashlight and the attacker.
 - If the contact stun is not effective, evaluate the location of the contact stun and consider an additional cycle to a different pressure point, consider alternative force options (if available), or consider fleeing from the attacker.
- 4 As necessary, press the trigger button until help arrives or you are able to get away from the attacker.
- 5 As soon as it is safe to do so, call 911 and report the specific location of the threat.

Chapter 4: Maintenance and Support

Flashlight Maintenance and Care

The TASER StrikeLight 2 stun flashlight is a sensitive electronic piece of equipment, and should be handled with care. Avoid dropping and do not use a device that has visible damage.

Function Test

A function test should be done every 30–60 days. The function test is done to verify that the device is working properly.

To perform a function test:

- 1 Point the flashlight in a safe direction.
- 2 Shift the safety switch to the forward (ARMED) position.
- 3 Confirm that the light is strong.
- 4 Check the battery status. See *Flashlight Button* (Chapter 2).
- 5 Press the trigger button.

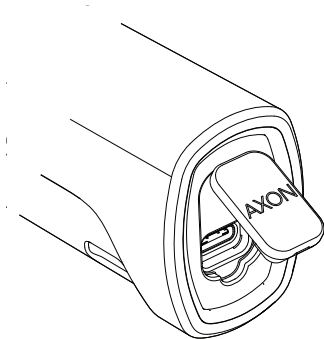
View the electrical arc from the top or side of the flashlight. Do not point the flashlight at your face or have it near your face.

- 6 Release the trigger button.
- 7 Shift the safety switch to the rearward (SAFE) position.

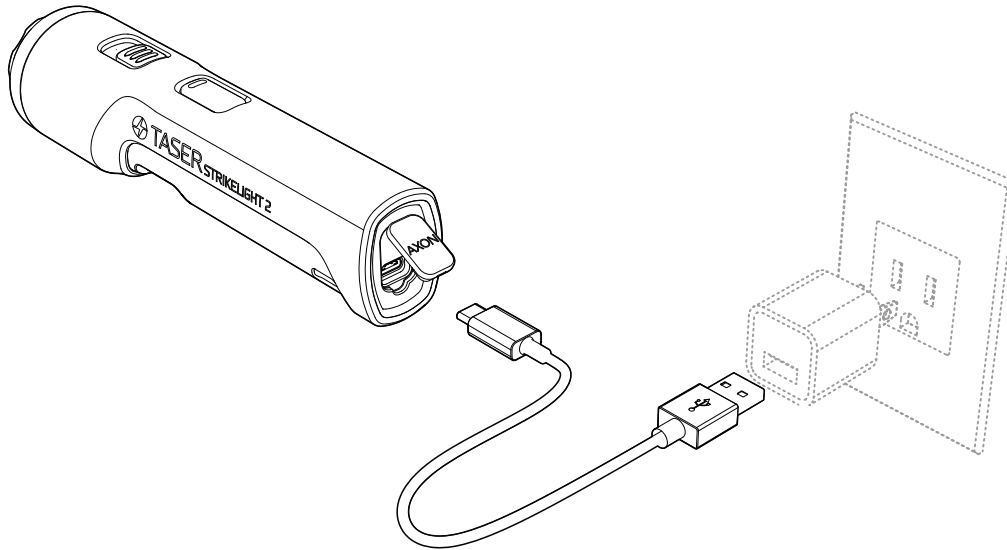
Recharging the Battery

Do not charge the battery in temperatures below 32 °F (0 °C) or above 104 °F (40 °C). Charging the battery in extreme temperatures can damage the battery and risk fire.

- 1 Ensure the safety switch is in the rearward (SAFE) position.
- 2 Lift the charging door.



- 3 Plug the USB cable into the charging port.
- 4 Plug the other end of the charging adapter into the wall power socket. An LED on the battery charger will light up.



- 5 Wait for the LED on the battery charger to turn solid green. A fully depleted battery will take approximately 8 hours to completely charge.
- 6 Remove the cable from the charging port.
- 7 Close the charging door.

Dropped or Wet Device

Do not immerse the device in water. Avoid exposing the device to rain. Do not let water splash on the device. The device is not waterproof or water-resistant.

If your device is dropped or gets wet, do not try to use it until you have performed the instructions below successfully:

- 1 Allow the device to dry thoroughly (at least 24 hours). Do not use an external heat source such as a microwave oven or hair dryer.
- 2 Point the flashlight in a safe direction and away from your body.
- 3 Perform a function test. Go to *Function Test* for instructions.
- 4 If the device does not work properly, do not use it.

Product Support

If you need product support or have any other questions, please contact customer service at:
team@taser.com

U.S.: 1.800.978.2737 or 1.480.905.2000 (tel:14809052000)

International: +1.800.978.2737 or +1.480.905.2000 (tel:+14809052000)

Product Returns

To return a TASER product for service, go to buy.taser.com.

If the TASER device has been exposed to bodily fluids or other biohazards, contact Axon's service department at +1.800.978.2737 or +1.480.905.2000 for specific instructions BEFORE returning the weapon.

Legality

Because state and local laws may change, it is your responsibility to research your applicable state and local laws prior to selling, transferring, possessing, transporting, or using a TASER energy weapon.

Warranty

Please see the product warranty which came with your flashlight. Axon's product warranties are also available on www.axon.com.

Warnings

Please see the product warnings which came with your flashlight. Product warnings are also available on www.axon.com.

FCC Compliance Statement

This device complies with part 15 of the FCC Rules. Operation is subject to the following two conditions: (1) This device may not cause harmful interference, and (2) this device must accept any interference received, including interference that may cause undesired operation.

NOTE: This equipment has been tested and found to comply with the limits for a Class B digital device, pursuant to part 15 of the FCC Rules. These limits are designed to provide reasonable protection against harmful interference in a residential installation. This equipment generates, uses and can radiate radio frequency energy and, if not installed and used in accordance with the instructions, may cause harmful interference to radio communications. However, there is no guarantee that interference will not occur in a particular installation. If this equipment does cause harmful interference to radio or television reception, which can be determined by turning the equipment off and on, the user is encouraged to try to correct the interference by one or more of the following measures:

- Reorient or relocate the receiving antenna.
- Increase the separation between the equipment and receiver.
- Connect the equipment into an outlet on a circuit different from that to which the receiver is connected.
- Consult the dealer or an experienced radio/TV technician for help.



Axon Enterprise, Inc.
17800 N 85th St
Scottsdale, AZ 85255 USA

Product functions and specifications may change without notice and the actual product may vary from the illustrations in this manual.

▲, ▲ AXON, Axon, StrikeLight 2, TASER, and ⚡ are trademarks of Axon Enterprise, Inc., some of which are registered in the US and other countries. For more information visit www.axon.com/legal. All rights reserved. © 2022 Axon Enterprise, Inc.

MMU0081 Rev: A