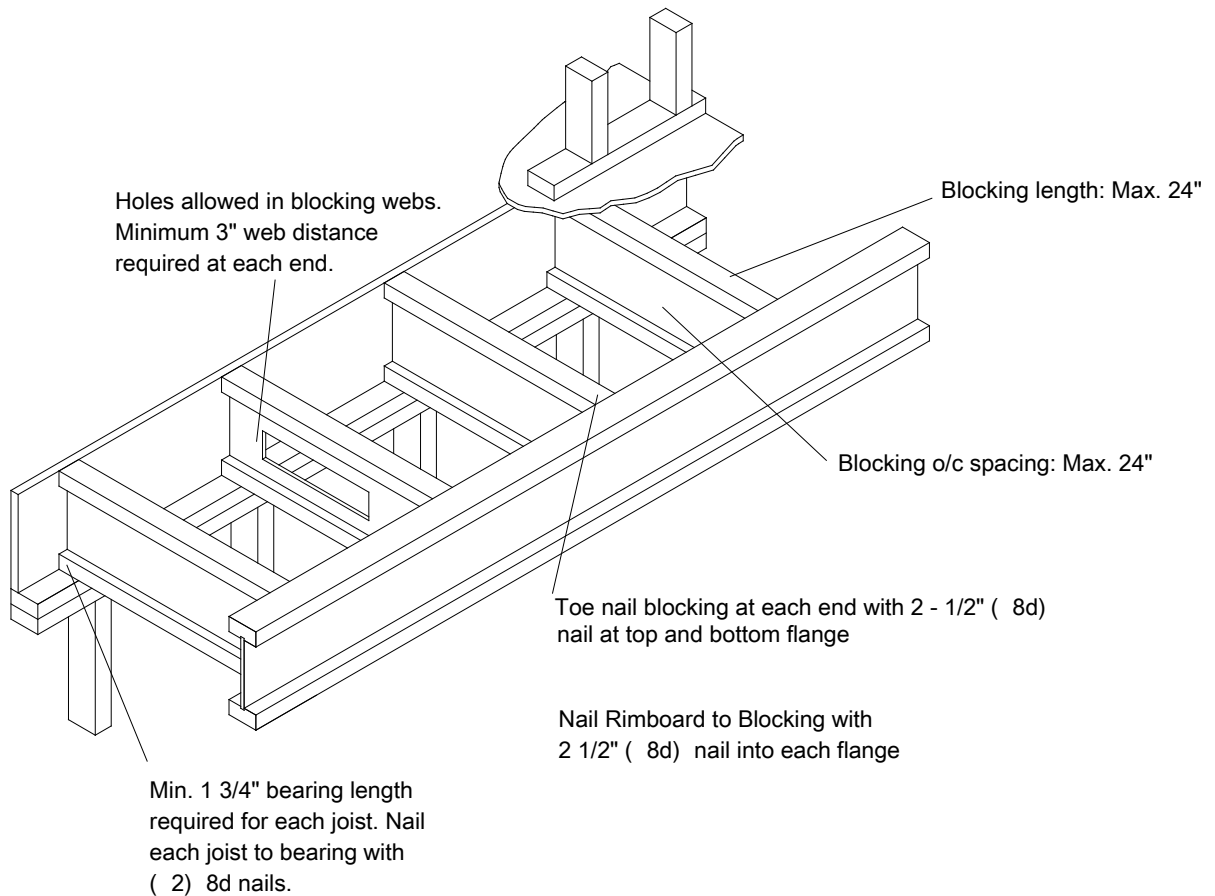




## End Wall Blocking

### Joist Blocking

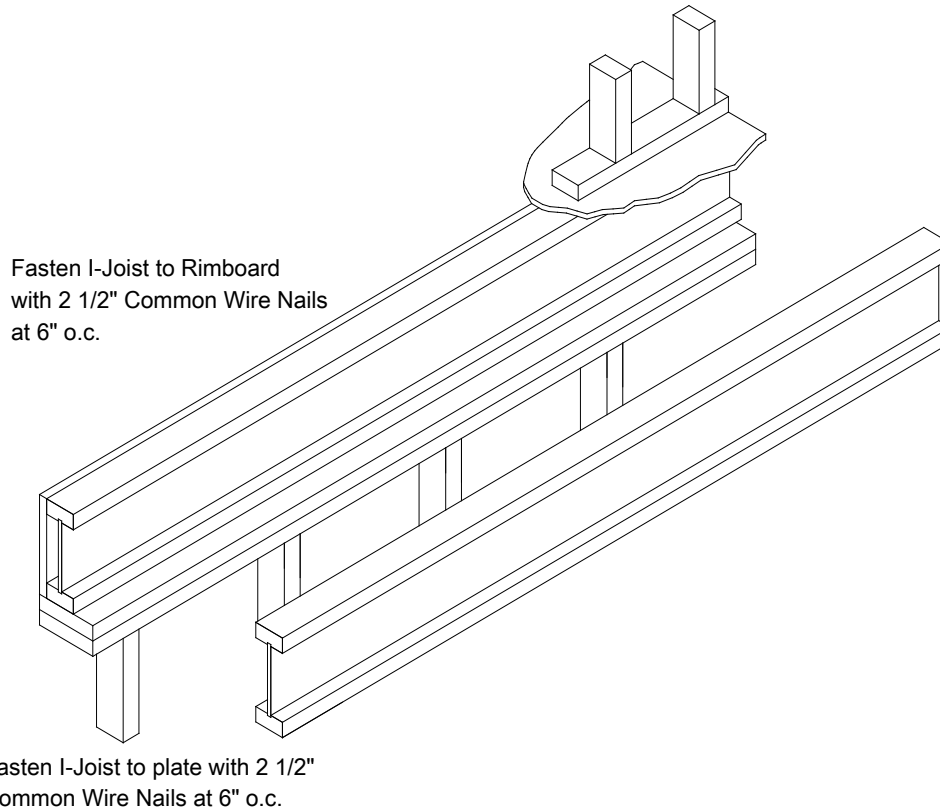


**Note:**

- This detail is only applicable for constructions falling under the NBCC 2020 – Part 9



### Joist adjacent to the rim-board

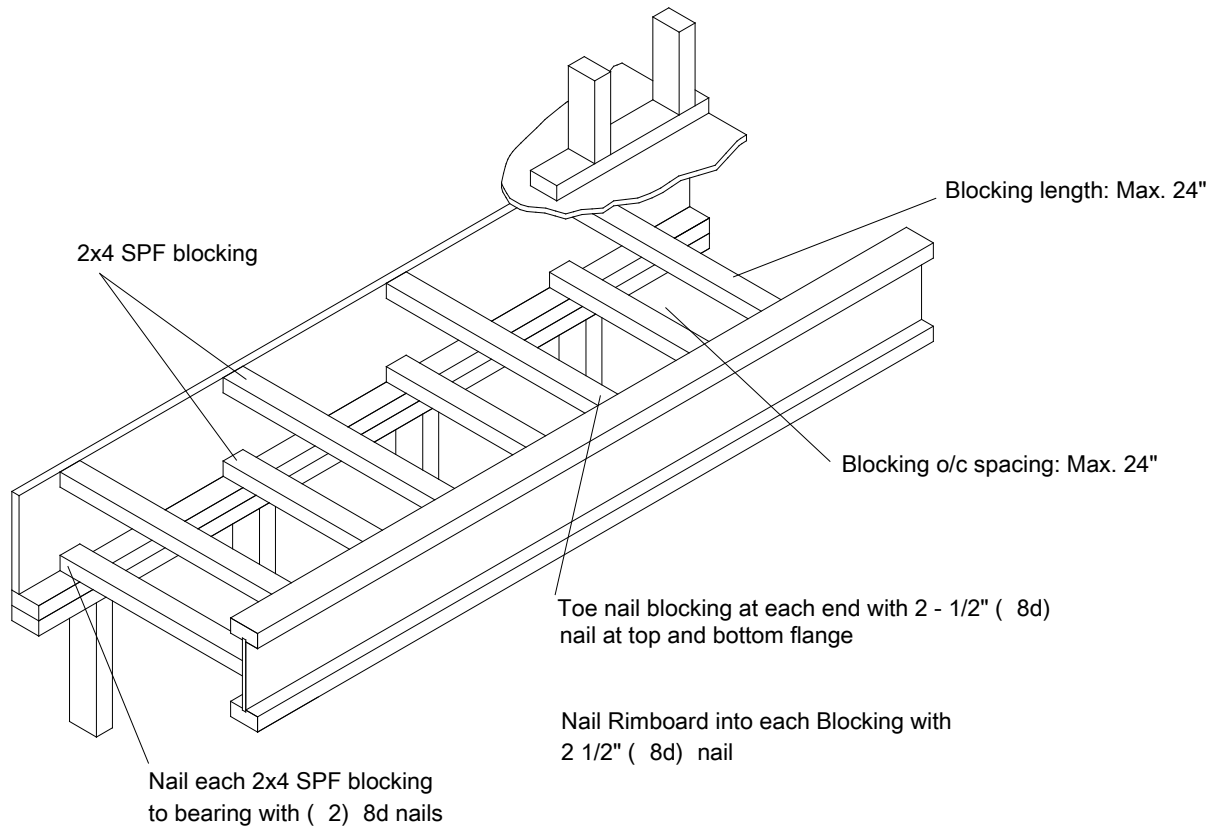


**Note:**

- *This detail is only applicable for constructions falling under the NBCC 2020 – Part 9*



## 2x4 Blocking on Flat



**Note:**

- This detail is only applicable for constructions falling under the NBCC 2020 – Part 9