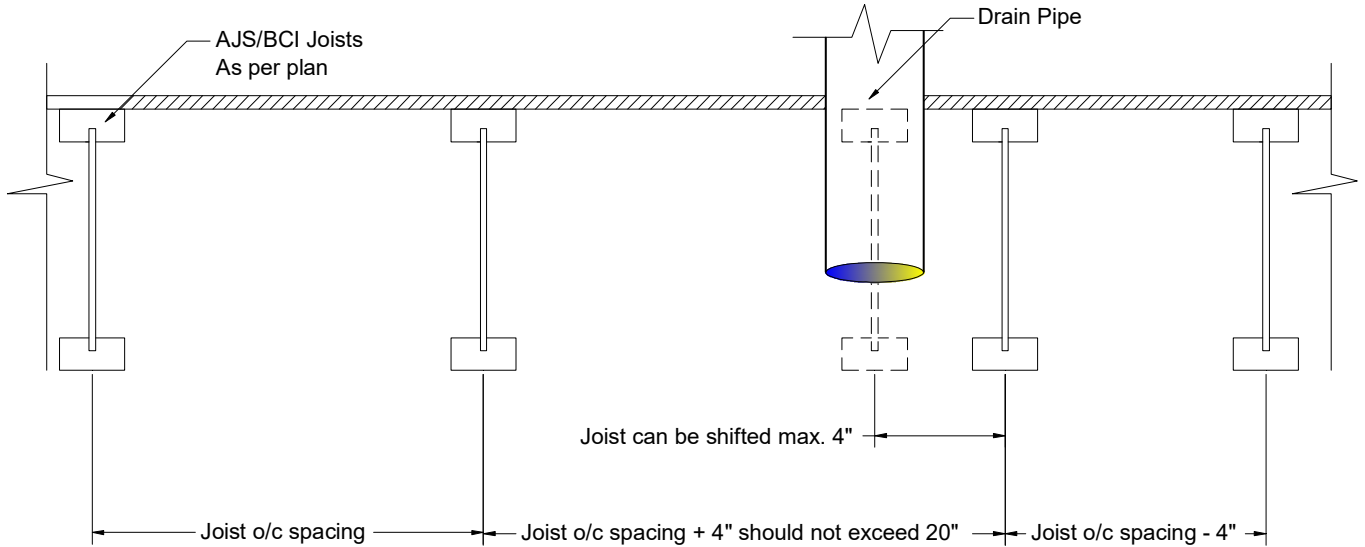




Drain Pipe at the Joist Location

1) JOIST O/C SPACING $\leq 16''$



2) JOIST O/C SPACING = 24''

- Joist can be shifted max. 4" to the right/left side of the drain pipe
- An additional joist should be installed at no more than 24" from the shifted joist

