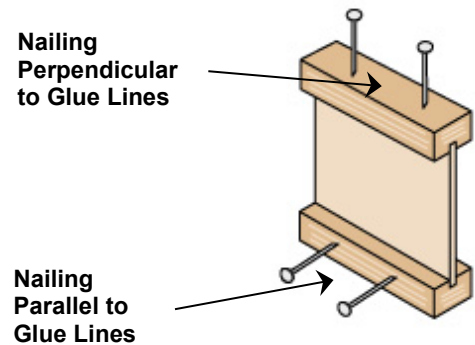




Allowable Nail Spacing & Design for AJS® / BCI® Joists and Versa-Lam® LVL

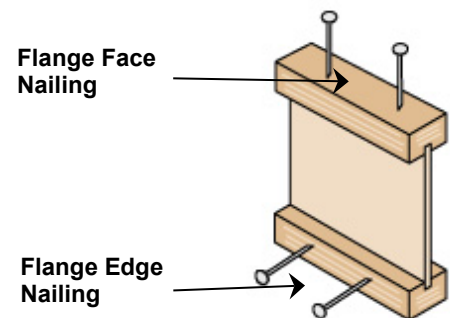
BCI® Joists and Blocking Panels

Connector Size	Nails Parallel to Glue Lines (into the side of flange)		Nails Perpendicular to Glue Lines ⁽¹⁾ (through top of flange)	
	On-Center (in)	End of Joist (in)	On-Center (in)	End of Joist (in)
8d Box	4	1.5	2	1.5
8d Common	4	3	2	1.5
10d, 12d & 16d Box	4	3	2	1.5
10d & 12d Common	6	4	3	2
16d Sinker	6	4	3	2
16d Common	6	4	3	2



AJS® Joists and Blocking Panels

Connector Size	Nails to Flange Edge (into the side of flange)		Nails to Flange Face ⁽¹⁾ (through top of flange)	
	On-Center (in)	End of Joist (in)	On-Center (in)	End of Joist (in)
8d, 10d & 12d Box	2	2	2	2
8d, 10d & 12d Common	2	3	2	3
12d & 16d Sinker	2	3	2	3



Versa-Lam® LVL

Connector Size	Nails Perpendicular to Glue Lines		Nails Parallel to Glue Lines ^{(2) (3)}									
			Eastern Products				Western Products					
	All Products		Versa-Lam® 1-3/4"		Versa-Lam® 3-1/2"		Versa-Lam® 1-5/16"		Versa-Lam® 1-3/4" & 2-5/8"		Versa-Lam® 3-1/2"	
	O.C.	End	O.C.	End	O.C.	End	O.C.	End	O.C.	End	O.C.	End
8d Box	2	0.5	4	4	4	4	3	1.5	2	1	2	0.5
8d Common	2	1	4	4	4	4	3	2	3	2	2	1
10d, 12d & 16d Box	2	1	4	4	4	4	3	2	3	2	2	1
10d & 12d Common	2	2	4	4	4	4	4	3	4	3	2	2
16d Sinker	2	2	4	4	4	4	4	3	4	3	2	2
16d Common	2	2	8	8	8	8	6	4	6	3	2	2

Notes:

- 2 rows of nails (such as for a metal strap) are allowed: use 1/2" minimum offset between rows and stagger nails.
- For 1 3/4" thickness and greater, 2 rows of nails (such as for a metal strap) are allowed: use 1/2" minimum offset between rows and stagger nails.
- Offset and stagger nail rows from floor sheathing and wall sole plate.

Versa-Lam® LVL Equivalent Specific Gravity for Connector Design:

Versa-Lam® LVL equivalent specific gravity for design purpose of nail withdrawal and lateral nail capacities, as well as the bolt bearing capacities, are published at Table 4.1.2 of CCMC 12472-R report.

