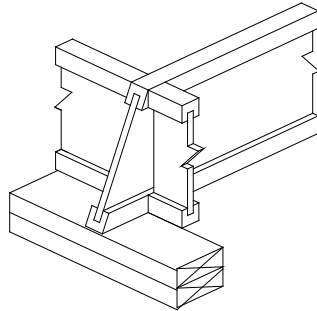


## BCI<sup>®</sup> & AJS<sup>®</sup> Joists: Fire/Bevel-Cuts

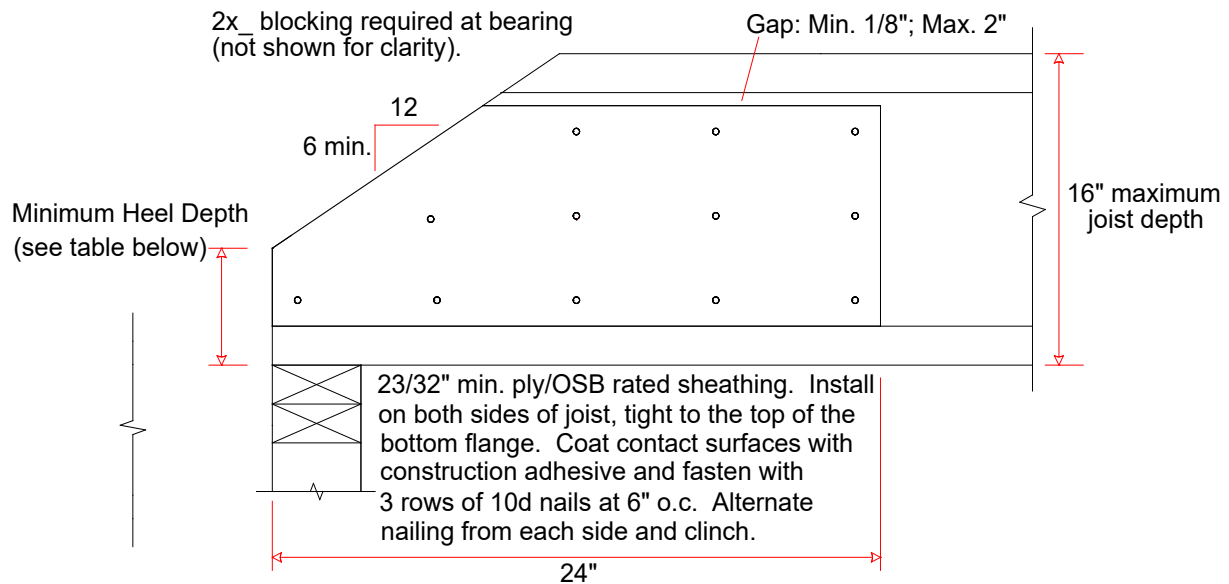
### 1) Allowable Fire-Cut:

- Cut does not extend beyond inside edge of bearing
- Blocking required at the inside edge of bearing



### 2) Slope-Cut extends beyond inside edge of bearing:

- Detail below restores the original allowable shear and reaction values of BCI/AJS Joist



End Wall Bearing	Minimum Heel Depth					
	Slope					
	6/12	7/12	8/12	9/12	10/12	12/12
2 x 4	4 3/8"	4 5/16"	4 1/4"	4 1/4"	4 1/4"	4 1/4"
2 x 6	3 3/8"	3 3/16"	2 5/16"	2 3/4"	2 9/16"	2 1/4"