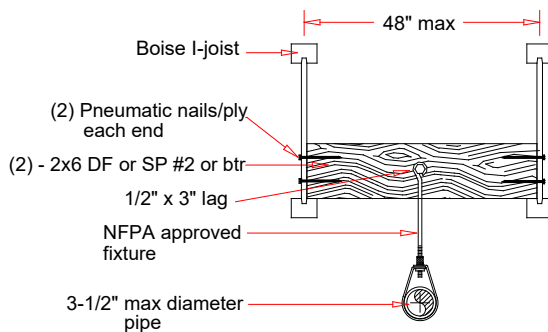
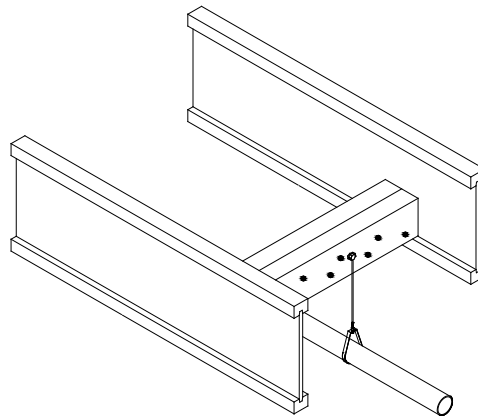




Sprinkler Attachment Details

Eye Rod Hanger



- Attach the sprinkler apparatus as shown.
- The sprinkler apparatus including the hanger, brackets hanger rod, pipe, clamps, nuts, bolts, washers, lag screws, wood screws and installation shall be per the current provisions of NFPA 13, 13D, 13R or the authority having jurisdiction.
- The design of the Boise I-joist system shall also include the weight of the piping system and temporary loading.
- Pre-drill pilot hole for lag screw, allow for proper clearance from the lag to the bottom of the blocking, 2-1/2" for branch lines and 3" for main lines.
- Attach the 2ply - 2x6 with two rows of pneumatic nails (0.122" x 3.25") at 6" o.c. spacing; staggered. End distance = 1.5"; Edge distance = 2"
- Maximum factored load supported by each joist = 350 plf

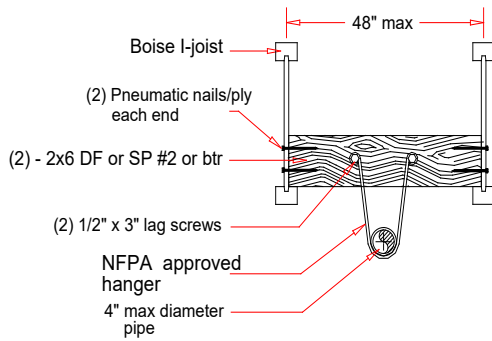
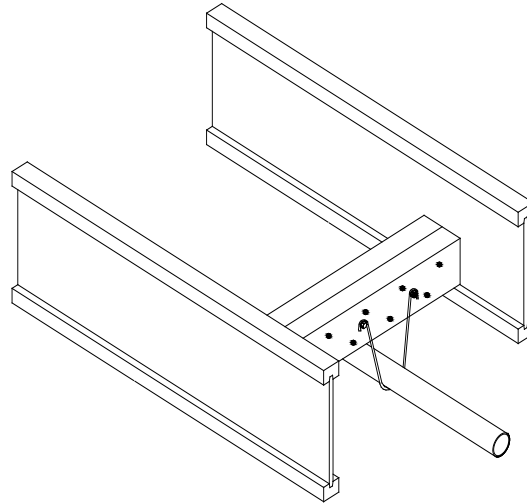


Eye Rod Hanger

3-1/2" Maximum Pipe Size



U Hanger



- Attach the sprinkler apparatus as shown.
- The sprinkler apparatus including the hanger, brackets hanger rod, pipe, clamps, nuts, bolts, washers, lag screws, wood screws and installation shall be per the current provisions of NFPA 13, 13D, 13R or the authority having jurisdiction.
- The design of the Boise I-joint system shall also include the weight of the piping system and temporary loading.
- Pre-drill pilot hole for lag screw, allow for proper clearance from the lag to the bottom of the blocking, 2-1/2" for branch lines and 3" for main lines.
- Attach the 2ply - 2x6 with two rows of pneumatic nails (0.122" x 3.25") at 6" o.c. spacing; staggered. End distance = 1.5"; Edge distance = 2"
- Maximum factored load supported by each joist = 350 plf

