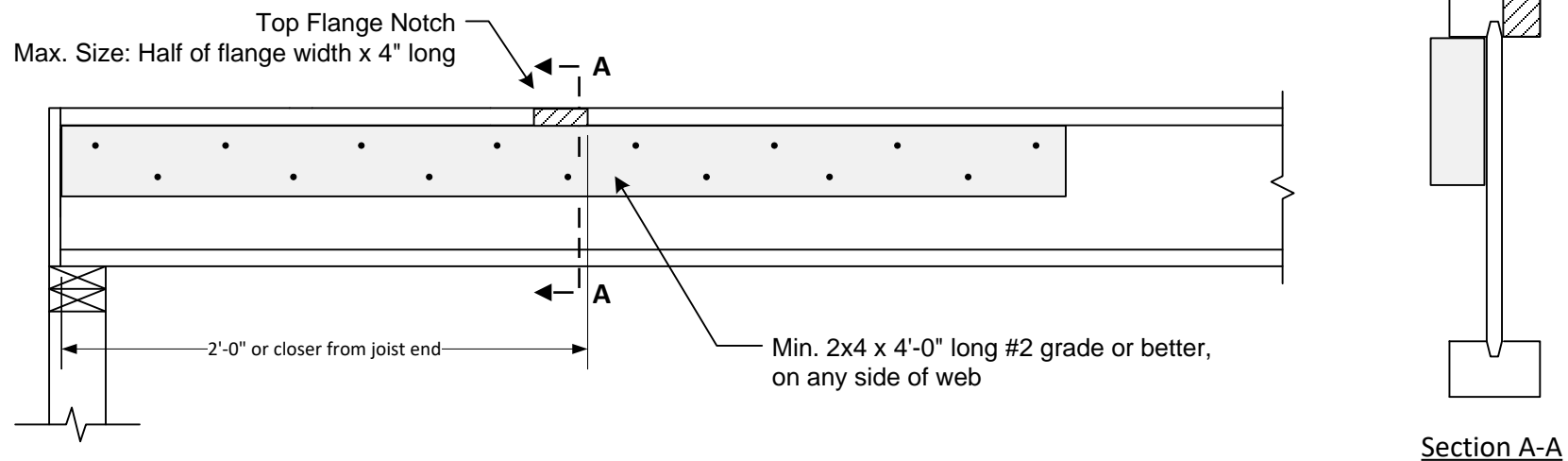


BCI[®] & AJS[®] Joist – Half Notched Top Flange Near Bearing Repair



Installation Notes

- 1) Apply construction adhesive to cover all contact surfaces area.
- 2) Install reinforcement tight to underside of top flange.
- 3) Nail reinforcement with Min. 2 rows 10d box nails @ 6" o.c., clinched or 2 rows #8 wood screws @ 6" o.c.
- 4) Repair valid only for uniformly loaded joists in residential structures.