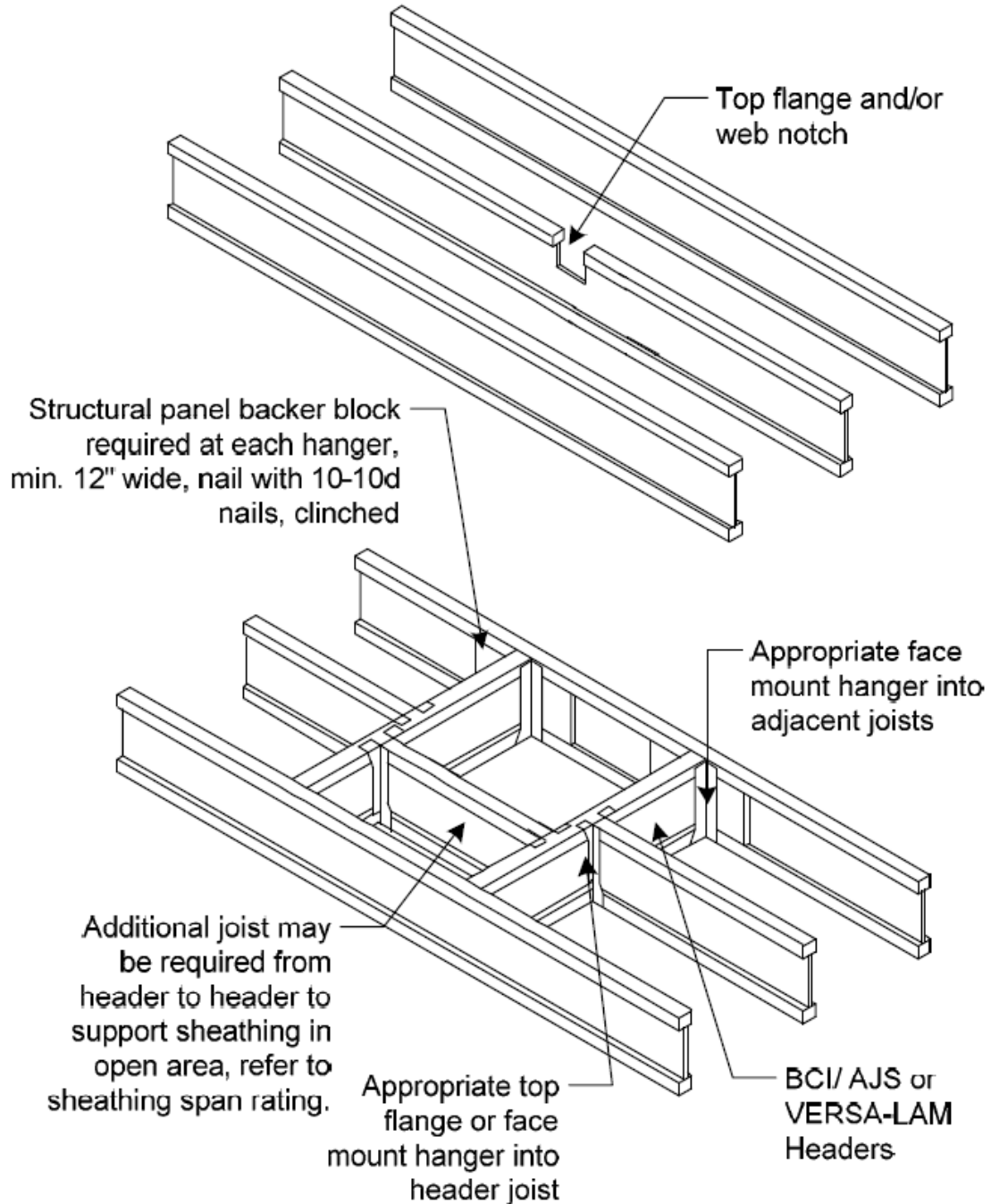




Headout Detail for Damaged BCI® or AJS® Joist



Note: Adjacent joists must be adequate to support additional load from damaged joist, analyze with BCCalc software.