



# FritsJurgens®

TOP PIVOT REVERSED  
TECHNICAL DATA SHEET

FROM THE NETHERLANDS, FRITSJURGENS CREATES PIVOT HARDWARE SOLUTIONS OF THE HIGHEST POSSIBLE QUALITY THAT EXCEED INDUSTRY STANDARDS AND OUR CLIENT'S EXPECTATIONS. THESE SOLUTIONS ENABLE ENDLESS PIVOT DOOR DESIGN POSSIBILITIES.

- Hidden hardware** Only small floor and ceiling plates are visible. All the hardware is hidden in the door.
- Unlimited design** The door can be of any height and made with every type of material, creating unlimited design possibilities.
- Motion technology** Motion technology puts hydraulic power to use, creating a smooth and controlled door movement.
- Timeless quality** Built from high-performance materials, the systems are maintenance-free and perform flawlessly.

## CONTINUOUS IMPROVEMENT

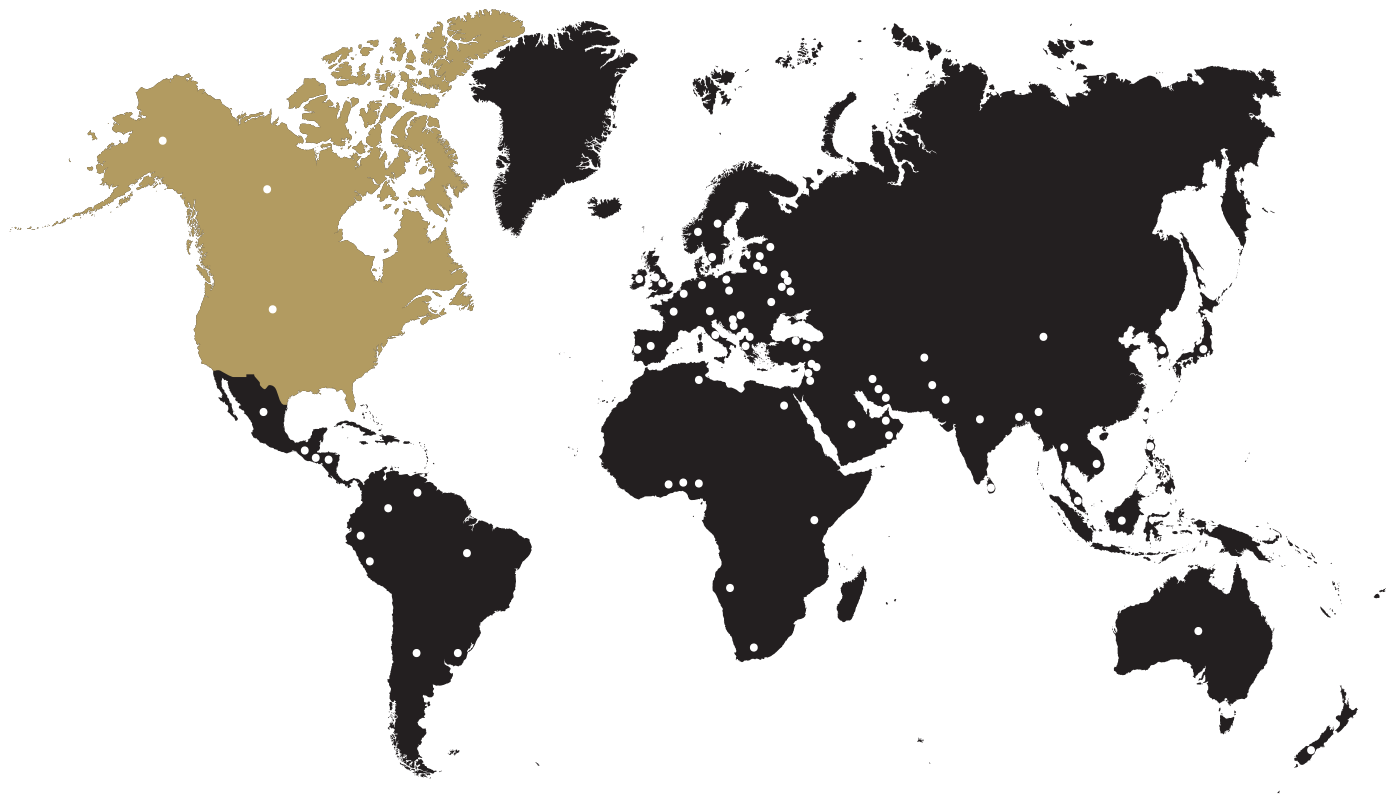
---

FritsJurgens strives for the best quality possible. Every system that leaves the FritsJurgens headquarters is designed, fabricated, and tested with the greatest attention to detail and with only the best quality materials. This enabled us to create maintenance-free hinges: even after 136 years of daily use, the hinge will still function flawlessly.

## WORLDWIDE NETWORK

---

Architects, designers, and door manufacturers worldwide work with FritsJurgens. Our pivot hinges are available through a trusted partner-network in 80+ countries.



● Distributed in North America by Bridgeport Worldwide

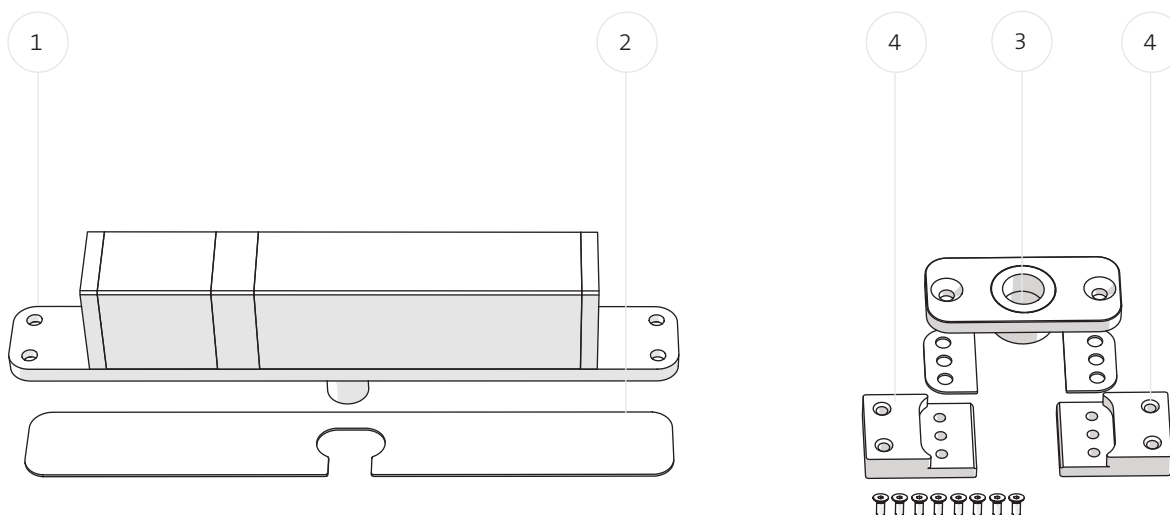
# OVERVIEW

This top pivot is slightly different from all the others: Top pivot Reversed can be placed in the head jamb or ceiling. As a result, extra thin metal frame profiles can be used because no system needs to be incorporated in the top of the door. For example, you can opt for an extra-large glass opening. Thanks to its placement in the ceiling, this system is not adjusted from the side of the door, but instead from inside the door opening.

## COMPONENTS

---

- 1 Top pivot Reversed
- 2 Cover plate
- 3 Receiver
- 4 Adapters with filler plates (optional)



### Exterior pivot doors

When installing an exterior door, there's always a head jamb where the Top pivot Reversed can be installed in.

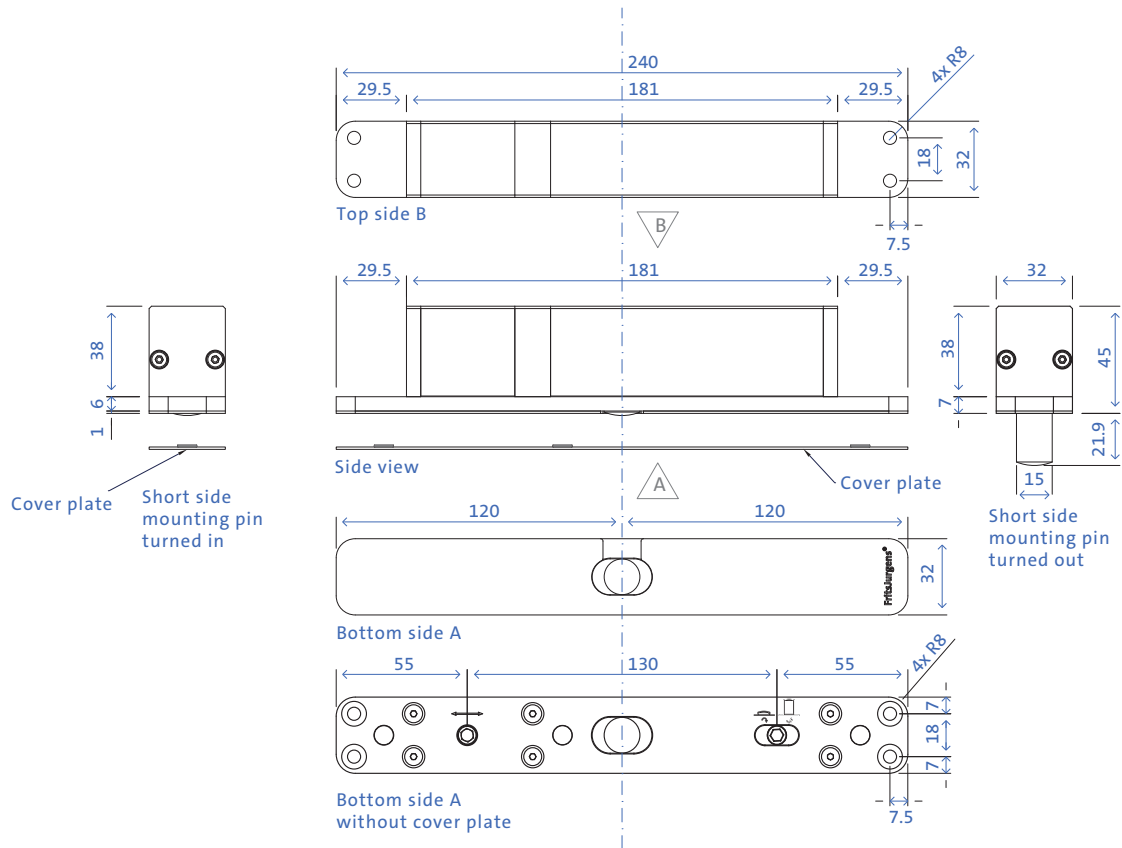
### Smaller frames, more glass

With the top pivot installed in the head jamb or ceiling you can design a pivot door with narrower frames and a larger glass opening.

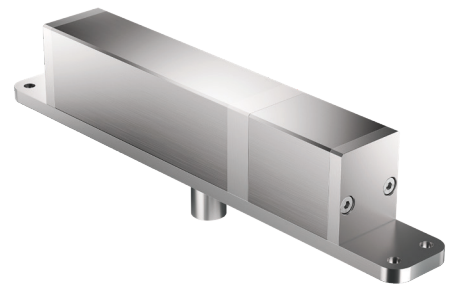
### Easy installation

Thanks to its orientation, this system is easily installed and adjusted in the head jamb or ceiling, making it more convenient for middle placements of the pivot.

# TECHNICAL SPECIFICATION



FEATURES	TOP PIVOT REVERSED
Pivot position	Variable from 130 mm
Placement type	Side and middle placement
Top pivot placement	Head jamb or ceiling
Adjustment	From inside the door opening
Suitable for	System One, System 3, System M & System M+
Cover plates	Yes
Cover plate finish	Stainless steel Black White

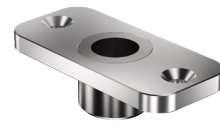


# COVERS

## Receiver

### FOR TOP PIVOT REVERSED

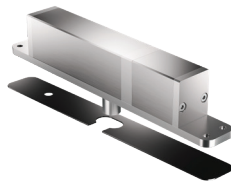
When ordering the Top pivot Reversed, a rectangular Receiver is included in the set. The Receiver is mounted inside the top of the pivot door. The pin of the Top pivot Reversed is rotated downwards into the Receiver during the installation.



## Cover plates



SS  
Stainless steel



BK  
Black



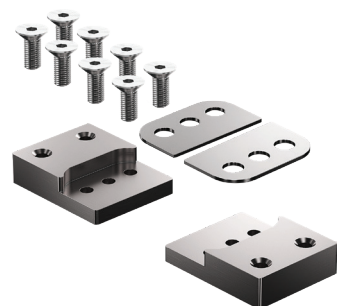
WT  
White

---

# ACCESSORIES

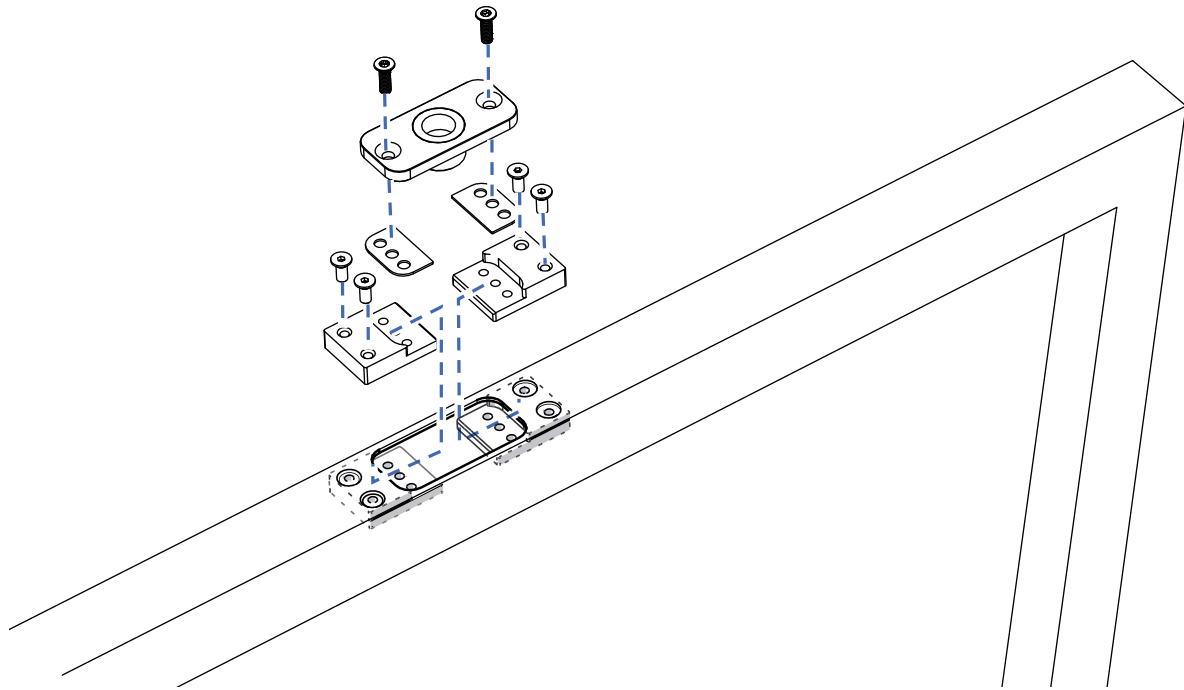
## Adapters

The Adapters can be used to mount the components in a metal profile. The two Adapters are mounted in the profile first. They then offer a solid base to mount the component on. We currently offer Adapters for 2 mm thick profiles only. This product is compatible with the Receiver, all top pivots, and with bottom pivots System One and System 3.

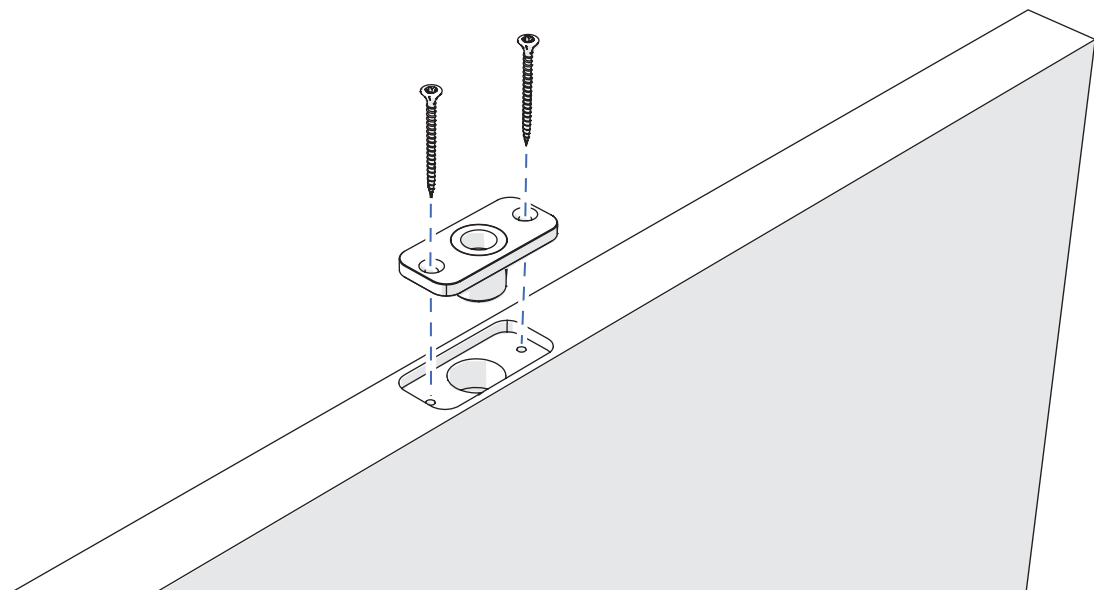


# MILLING INSTRUCTIONS

For steel or aluminium profile doors

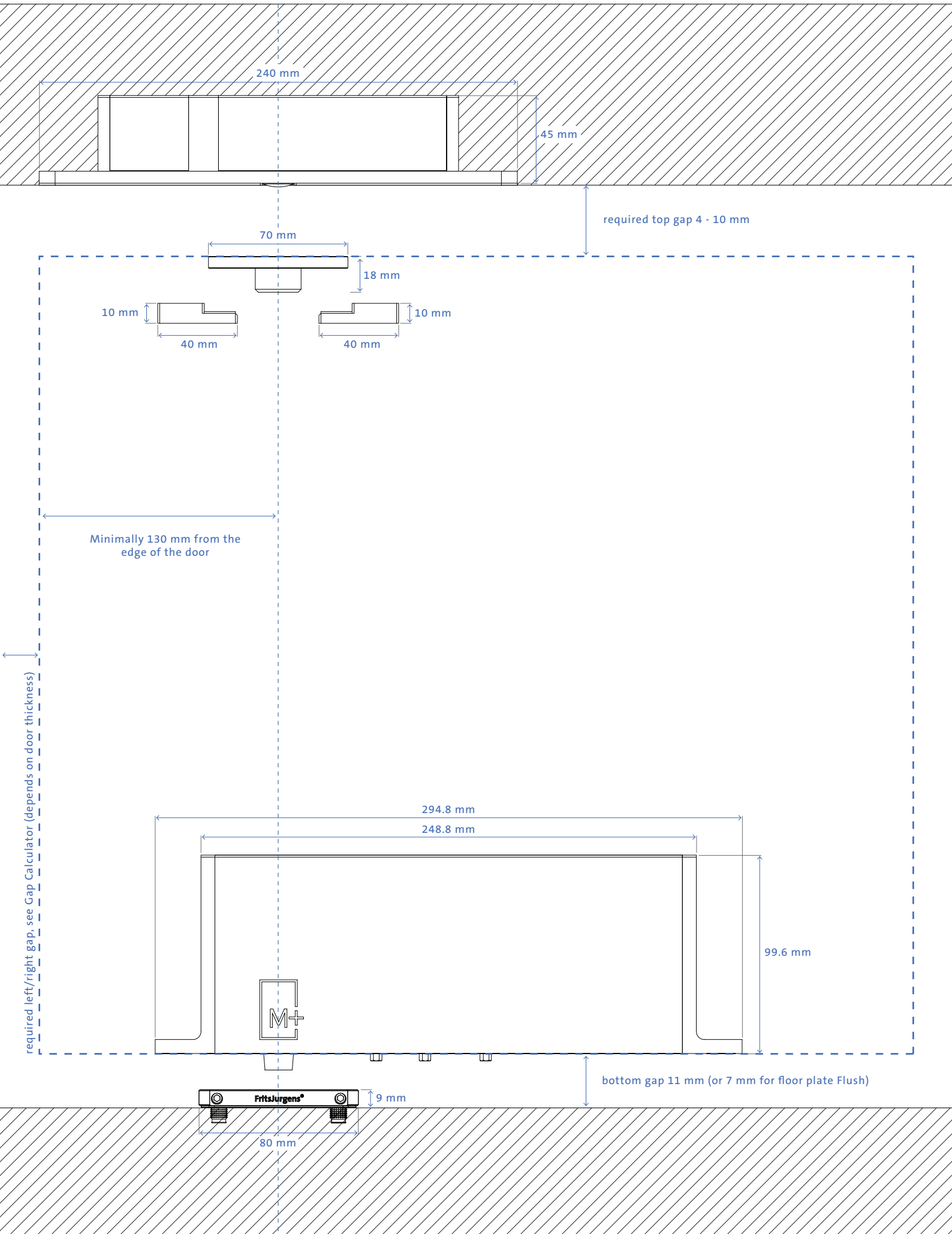


For wooden doors

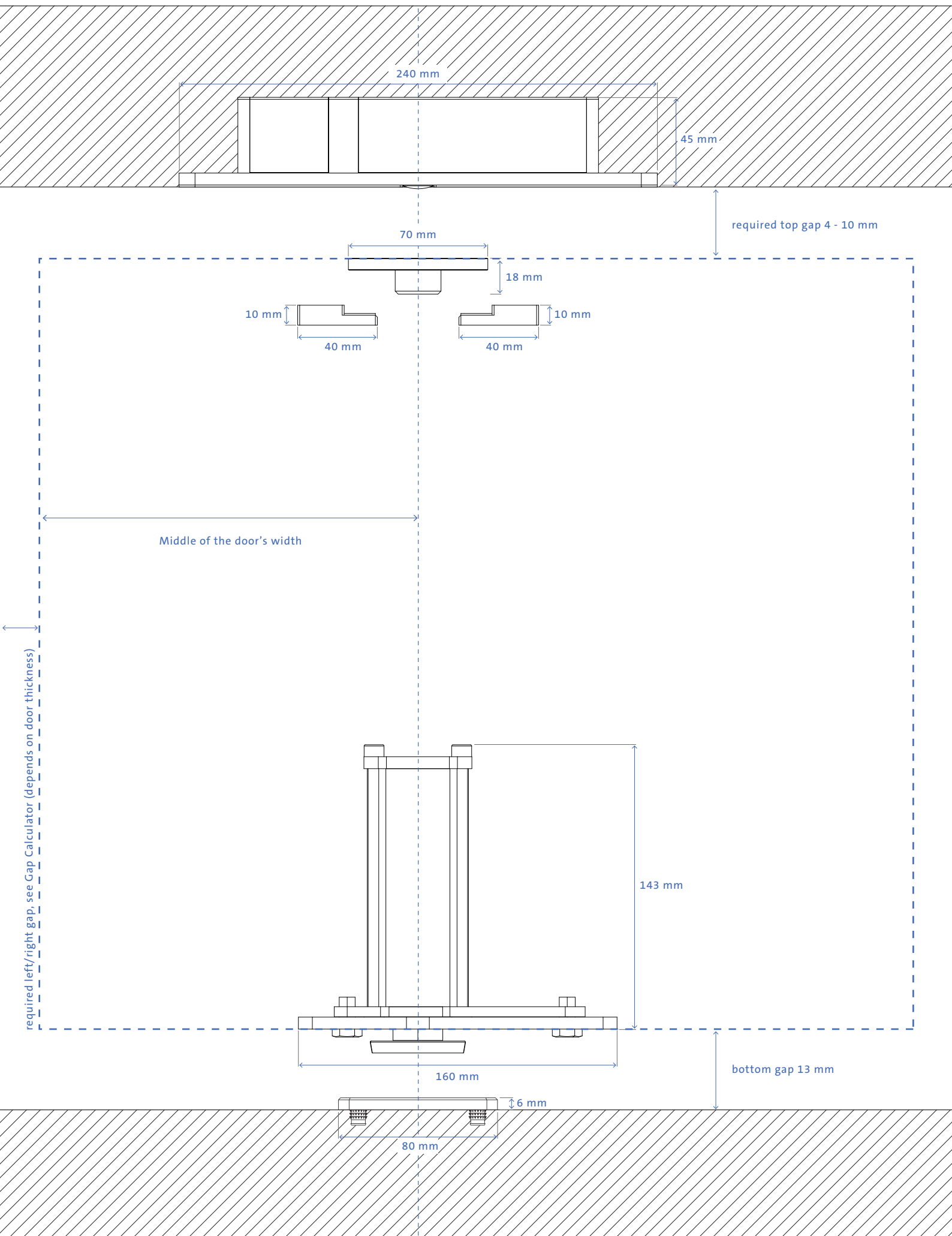


# CONFIGURATIONS

System M+ (Class A-E), pivot position  $\geq 130$  mm  
(Works with Class F-G with different bottom pivot dimensions)

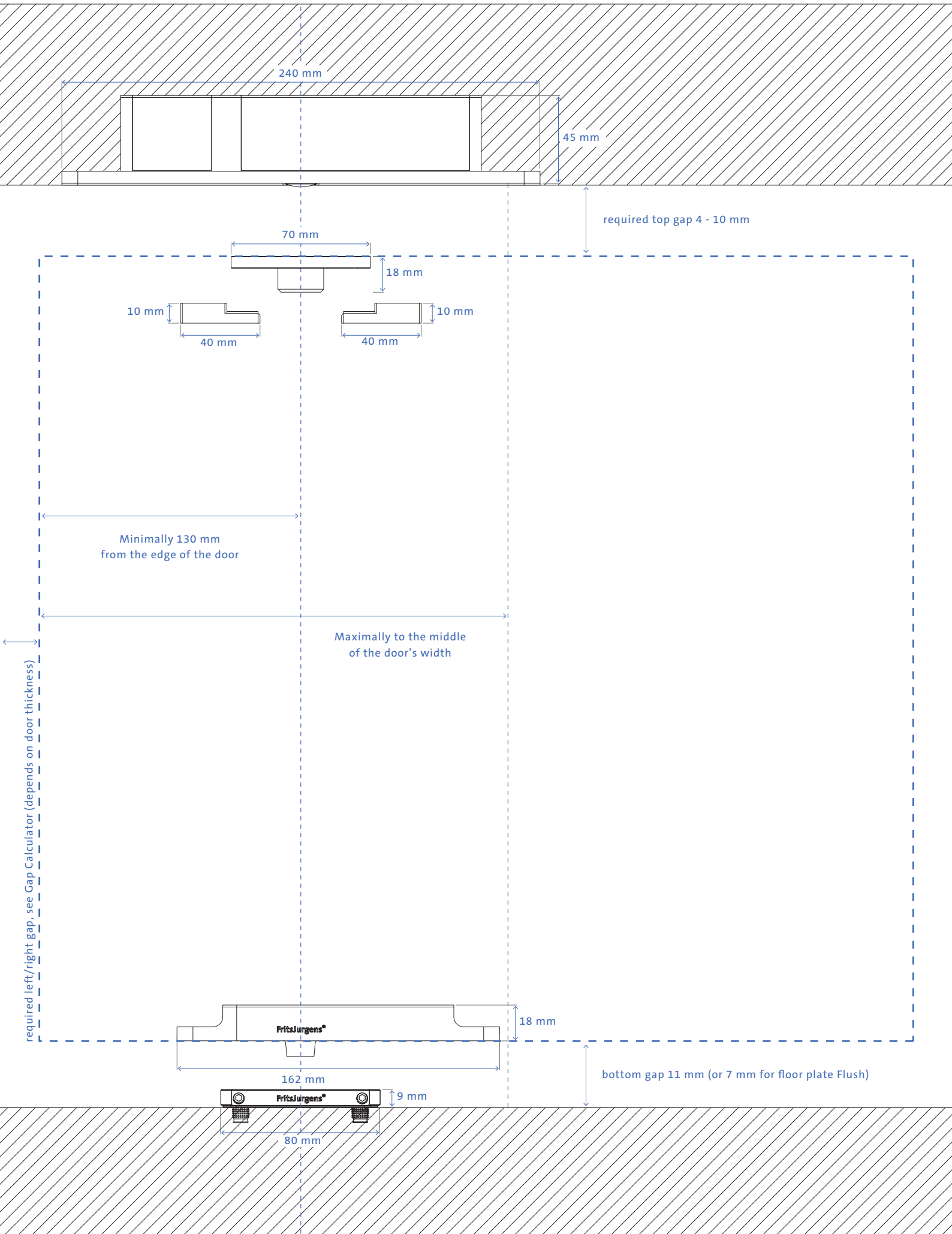


System 3, pivot as middle position of door width (with TP-R)



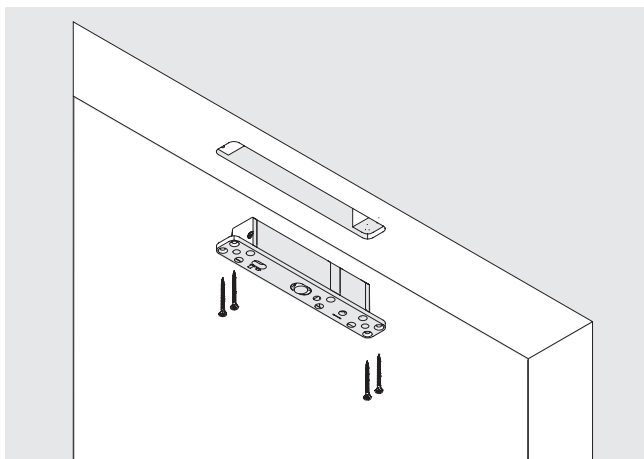


System One with TP-R (Class G), floor plate rectangular

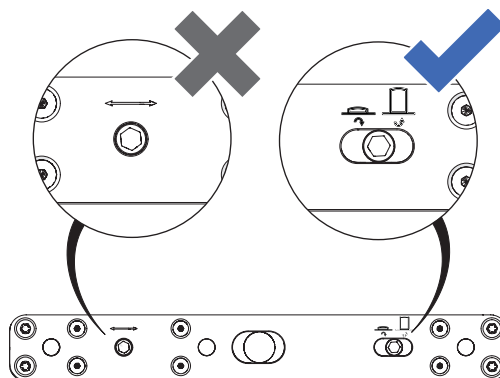


# MOUNTING

- 1 Affix the Top pivot Reversed.

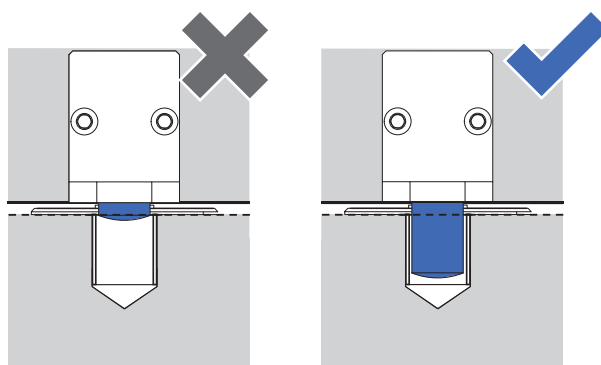
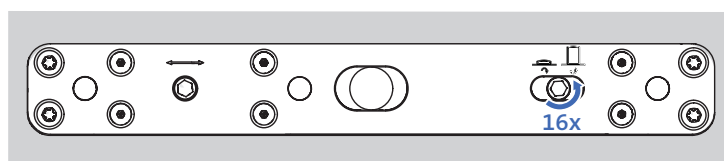
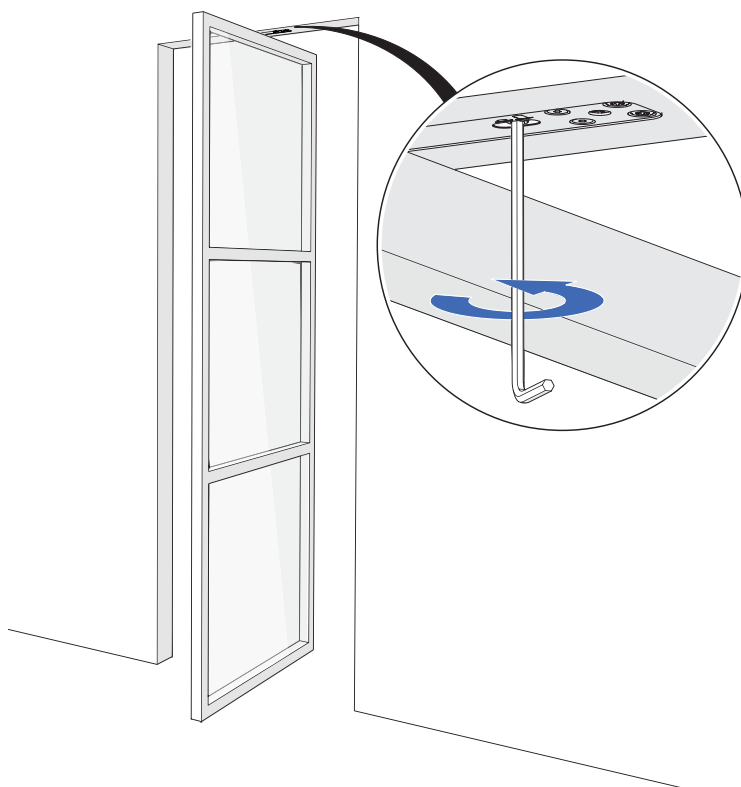


- 2 Identify the adjusting screw that extends the pivot.



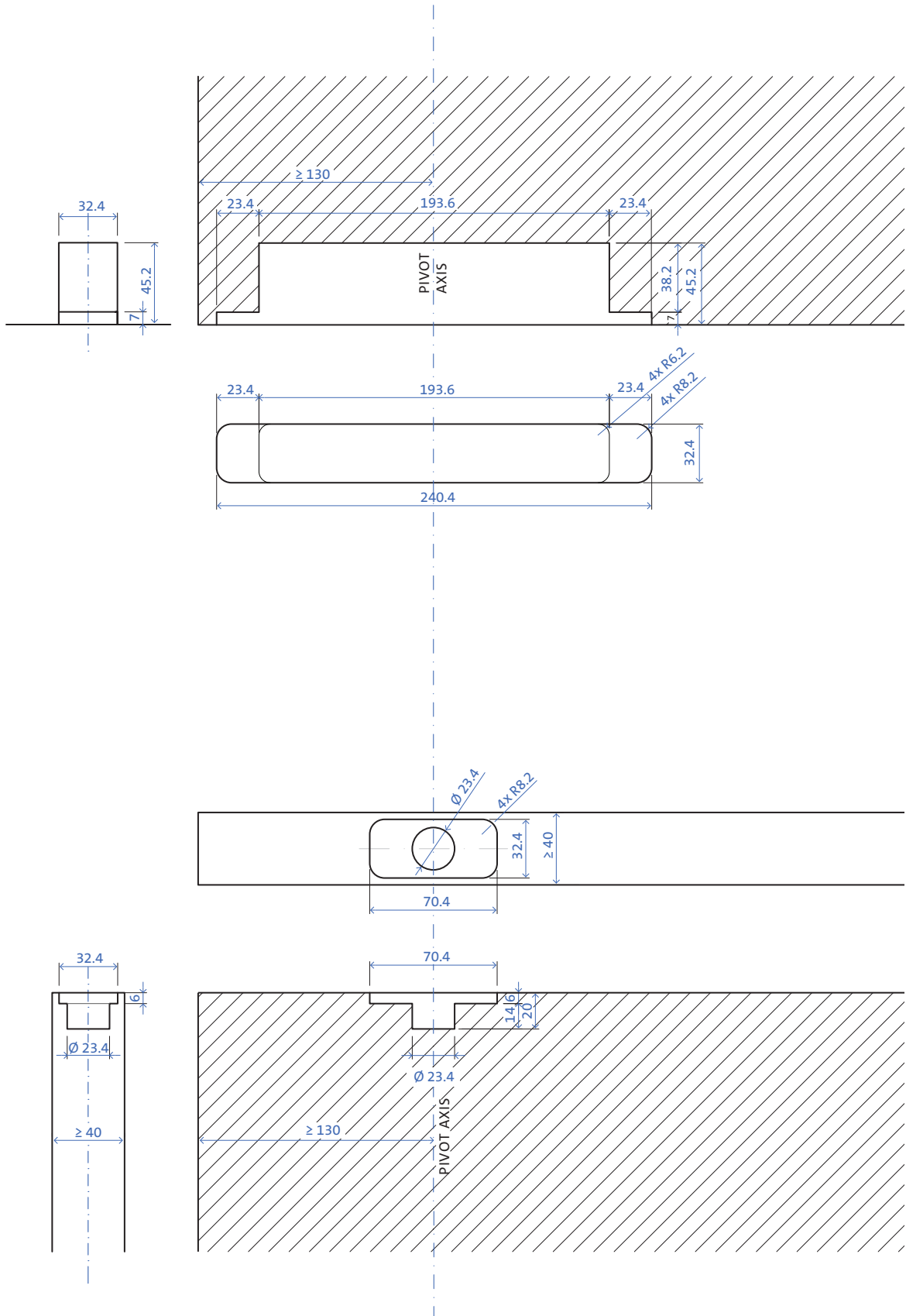
- 3 Position the door on the floor plate as shown in the main manual.

- 4 Extend the pivot with Allen key 5. Turn the Allen key 16 times to fully extend the pivot.



# MILLING

## PREPARING THE DOOR AND CEILING/TOP JAMB



# FritsJurgens®

## FRITSJURGENS INTERNATIONAL

A. Einsteinlaan 1  
9615 TE Kolham  
The Netherlands  
+31 598 343 410  
info@fritsjurgens.com

Available in North America through

**B ——— W**

## BRIDGEPORT WORLDWIDE

+1-800-362-1484  
info@bridgeportworldwide.com  
bridgeportworldwide.com/fritsjurgens

BO.tech.TP-R.EN  
Copyright © FritsJurgens®  
31-05-2023

