

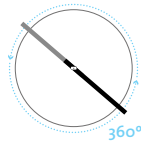
SYSTEM ONE

Best Use : Free-swinging, manual pivot hinge. For any door that does not require an integrated hold open or self-close.

- No closer or hold open function
- Bottom pivot is only 18 mm (11/16") tall / Works with all top pivots
- For any panel **1 lb.** up to **1,100 lbs.**
- For doors of any size and material
- Minimum door thickness : 40 mm (1-9/16")
- Works with surface-mounted or flush-mounted floor plates
- Can be limited by a frame / door stop

MOVEMENT

- free swinging 360° pivot
- no stops



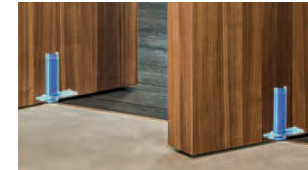
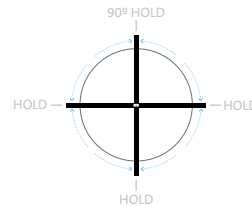
SYSTEM Fx

Best Use : Interior doors where no closing function is needed, but hold position is. Also great for System 3 application.

- Strong hold positions twice as strong as System 3 at every 90°
- Two weight classes for doors up to **461 lbs.**
- Bottom pivot is only 38 mm (1 1/2") tall / Works with all top pivots
- Minimum door thickness : 40 mm (1-9/16")

MOVEMENT

- 360° movement
- Hold positions at every 90°
- No closing function



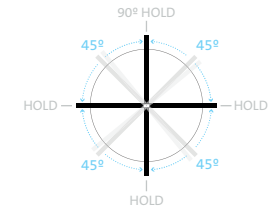
SYSTEM 3

Best Use : 360° rotating panels for space separation or special use. Perfect for partition walls.

- Non-adjustable Spring Damper closes panel from 45° or less to zero or last 90° position. Self opens when past 45° swing to settle in the next 90° hold position
- Four weight classes for doors up to **770 lbs.** (total bearing capacity of 1,100 lbs.)
- Minimum door thickness : 40 mm (1-9/16")
- Works with all top pivots except TP-40

MOVEMENT

- 360° movement
- Hold positions at every 90°
- Turnstile function with closing assist that operates from 45° to the 90° hold position



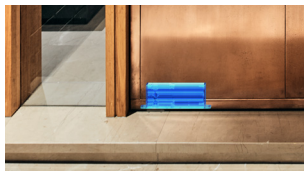
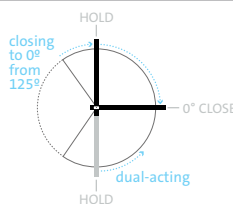
SYSTEM M

Best Use : Interior doors without latching mechanisms, such as Butler Pantry doors.

- Single-acting with frame stop or Dual-acting
- Adjustable Speed/Damper Control
- Closing from ±125° to 0°
- Four weight classes for interior doors up to **462 lbs.**
- Minimum door thickness : 40 mm (1-9/16")
- Works with surface-mounted or flush-mounted floor plates
- Works with all top pivots.

MOVEMENT

- Hold positions (not a stop) at ±90° and 0°
- Dual-acting closer from ±125° to 0°



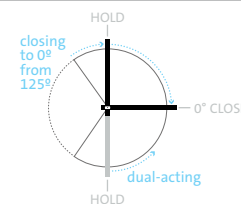
SYSTEM M+

Best Use : Heavy duty pivot closer. For entry doors and high-weight interior doors with latching mechanisms.

- Single-acting with frame stop or Dual-acting
- Adjustable Speed, Damper/Backcheck Control
- Adjustable Latching Speed Control
- Five weight classes for up to **770 lbs.** with minimum door thickness : 40 mm (1-9/16")
- Two weight classes for doors up to **1,100 lbs.** with minimum door thickness : 50 mm (2")
- Works with all floor plates & top pivots

MOVEMENT

- Hold positions (not a stop) at ±90° and 0°
- Dual-acting closer from ±125° to 0°



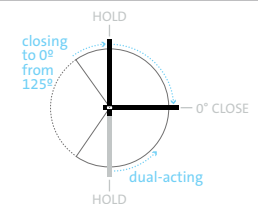
SYSTEM M+ FA NHO

Best Use : ADA compliant for opening force and closing speed. Also for doors where a no hold open is desired.

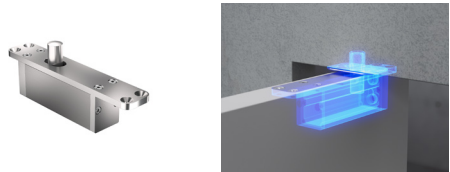

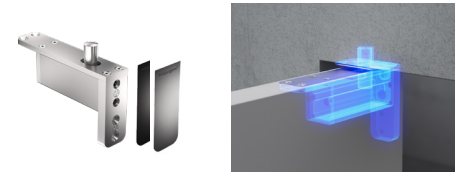



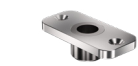
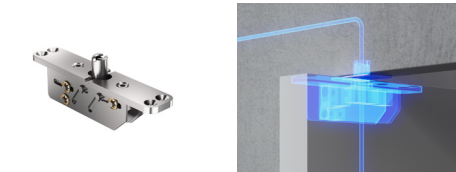

- Complies with ADA requirements for door opening force and closing speed
- Single-acting with frame stop or Dual-acting
- Adjustable Speed, Damper/Backcheck Control
- Adjustable Latching Speed Control
- Four weight classes for doors up to **660 lbs.**
- Minimum door thickness : 40 mm (1-9/16")
- Works with all floor plates and top pivots except TP-40

MOVEMENT

- Hold positions (not a stop) at ±90° and 0°
- Dual-acting closer from ±125° to 0°


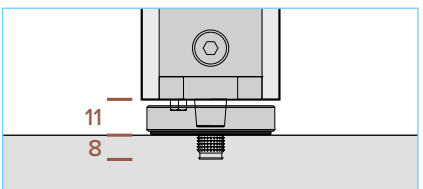

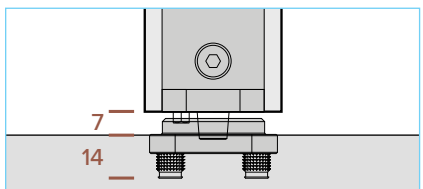

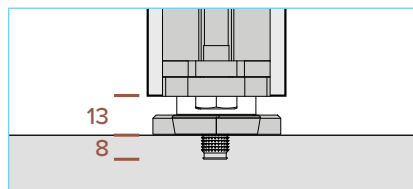


TOP PIVOTS & CEILING PLATES


<p>TP-70*</p>  <ul style="list-style-type: none"> • Mortised anywhere in the door width • Minimum pivot point from 70 mm (2.76") • Spindle set via hole on door edge  <p>Ceiling Plates available in Satin Stainless Steel and Satin Black.</p>	<p>TP-40*</p>  <ul style="list-style-type: none"> • Mortised on the corner edge of the door • Fixed pivot point at 40 mm (1.57") • Maximizes your door opening  <p>Ceiling & Cover Plates available in Satin Stainless Steel and Satin Black.</p> <ul style="list-style-type: none"> • 40 mm Variants  <p>System One System M System M+</p>	<p>TP-R*</p>  <ul style="list-style-type: none"> • Mortised in the header or ceiling • Minimum pivot point from 130 mm (5.12") • Spindle set by Allen key adjustments in head jamb  <p>Receiver available only in Satin Stainless Steel. Cover Plates available in Satin Stainless Steel, Satin Black, and White.</p>	<p>TP-CG*</p>  <ul style="list-style-type: none"> • Grommeted spindle for power transfer • Minimum pivot point from 91 mm (3.58") • For wire gauge 5-7 mm thick  <p>Ceiling Plates available in Satin Stainless Steel and Satin Black.</p>
--	--	--	---


NOTE : For all Systems, the gap between the top of the door and the head jamb is 4-10 mm.
 * Class G top pivots with power transfer will be rolled out for all models during 2025. TP-CG will eventually be discontinued this year.


FLOOR PLATES

<p>SURFACE-MOUNTED</p> <p>For System One, Fx, M, and M+</p> <p>Available in Satin Stainless Steel and Satin Black 80 x 40 x 9 mm</p>  	<p>FLUSH-MOUNTED</p> <p>For System One, Fx, M, and M+</p> <p>Available in Satin Stainless Steel only 80 x 40 x 11 mm</p>  <p>Squared Rounded</p> 	<p>SURFACE-MOUNTED</p> <p>For System 3 only</p> <p>Available in Satin Stainless Steel only 80 x 40 x 6 mm Ø80 x 6 mm</p>  
---	--	--

RESOURCES

 FritsJurgens Selector

 Gap Calculator

 Learn more about FritsJurgens