

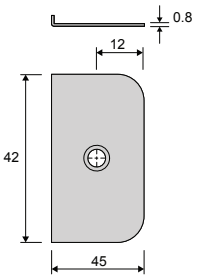
NOTE: When installing a door with this drop seal, begin with the actuator in its most retracted position and then gradually adjust it out to find the optimal projection for your door frame condition to avoid lateral impact forces on the actuator and possible damage.

Schall-Ex® L-15/30 WS PIVOT

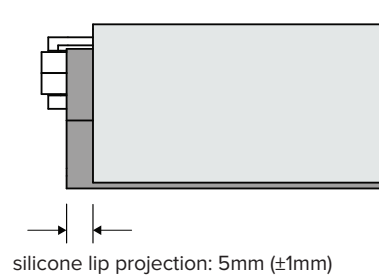
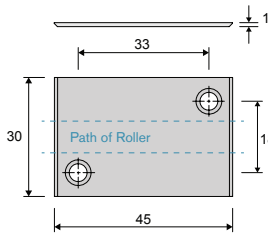
FEATURES :

- automatic drop seal for pivot doors
- groove width : 15mm / groove depth : 30mm
- single-actuating adjustable roller, removable
- maximum roller projection: 10mm
- inverted/upward actuation possible
- sound reduction up to **50dB** for 12mm gap
- parallel actuation & self-leveling mechanism
- maximum seal travel: 20mm (.79 in)
- seal type : self-extinguishing silicone
- seal color: grey
- standard lengths can be cut down by up to 125mm (4.92"), except for lengths over 2000mm (see below)
- engineered and manufactured in Germany
- ships with all necessary fasteners
- ships with model 248 strike
- optional strike 8117 is available for purchase separately

STRIKE model 248 (included)



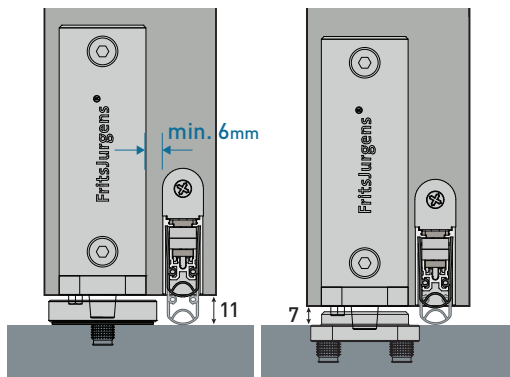
STRIKE model 8117 (optional)



NOTE :

When specifying this dropseal in a door with a FritsJurgens System M, M+, or System One pivot hinge and using the standard Rectangular Floor Plate, there is a minimum of 6mm required between the face of the bottom pivot body and the face of the athmer drop seal profile in order to avoid having the silicone gasket collide with the surface-mounted pivot floorplate when the dropseal deploys.

When using the FritsJurgens Flush Floor Plate with System M, M+, or System One (Class G), the dropseal can be mortised closer to the body of the pivot closer.



Standard Floor Plate System M | M+



Flush Floor Plate System M | M+

model no.	overall length	maximum cut down
1-946-833	833mm / 32.80 in	125mm (4.92")
1-946-958	958mm / 37.72 in	125mm (4.92")
1-946-1083	1083mm / 42.64 in	125mm (4.92")
1-946-1208	1208mm / 47.56 in	125mm (4.92")
1-946-1260	1260mm / 49.61 in	125mm (4.92")
1-946-1385	1385mm / 54.53 in	125mm (4.92")
1-946-1510	1510mm / 59.45 in	125mm (4.92")
1-946-1635	1635mm / 64.37 in	125mm (4.92")
1-946-1760	1760mm / 69.29 in	125mm (4.92")
1-946-1885	1885mm / 74.21 in	125mm (4.92")
1-946-2000	2000mm / 78.74 in	125mm (4.92")
1-946-2032	2032mm / 80.00 in	146mm (5.75")
1-946-2159	2159mm / 85.00 in	149mm (5.86")
1-946-2286	2286mm / 90.00 in	152mm (5.98")

custom lengths available upon request.

Bridgeport Worldwide accepts no responsibility for misprints and subsequent specification changes although every effort has been made to avoid any errors when preparing this document.