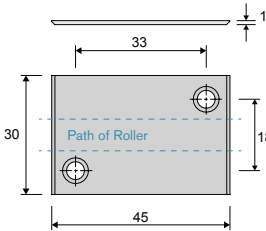
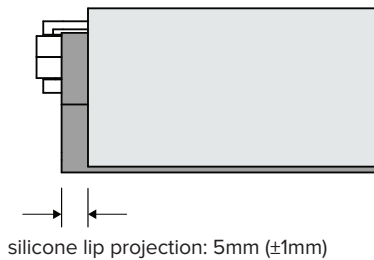
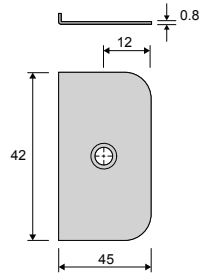


**NOTE:**  
 When installing a door with this drop seal, begin with the actuator in its most retracted position and then gradually adjust it out to find the optimal projection for your door frame condition to avoid lateral impact forces on the actuator.

**STRIKE model 8117 (optional)**



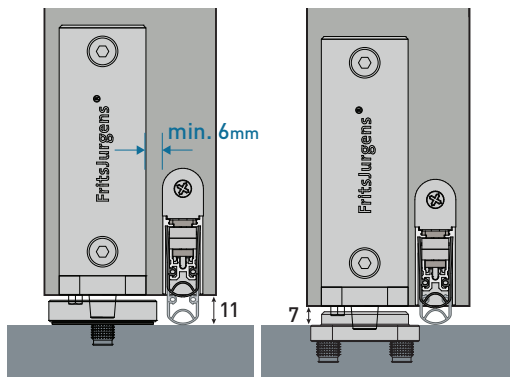
**STRIKE model 248 (included)**



**NOTE :**

When specifying this dropseal in a door with a FritsJurgens System M, M+, or System One (Class G) pivot hinge and using the standard Rectangular Floor Plate, there is a minimum of 6mm required between the face of the bottom pivot body and the face of the Athmer drop seal profile in order to avoid having the silicone gasket collide with the surface-mounted pivot floorplate when the dropseal deploys.

When using the FritsJurgens Flush Floor Plate with System M, M+, or System One (Class G), the dropseal can be mortised closer to the bottom body of the pivot closer.



Standard Floor Plate System M | M+



Flush Floor Plate System M | M+

**Schall-Ex® L-15/30 WS PIVOT**

**FEATURES :**

- automatic drop seal for pivot doors
- profile: 14.8 x 30, anodized aluminum
- single-actuating adjustable roller, removable
- maximum roller projection: 10mm
- inverted/upward actuation possible
- sound reduction of **50dB** over a 12mm gap
- parallel actuation & self-leveling mechanism
- maximum seal travel: 12mm (1/2")
- seal profile: silicone, self-extinguishing
- seal color: grey
- standard lengths can be cut down by up to 125mm (4.92"), except for lengths over 2000mm (see below)
- engineered and manufactured in Germany
- ships with all necessary fasteners
- ships with model 248 strike
- optional strike 8117 is available for purchase separately

model no.	overall length	maximum cut down
<b>1-946-833</b>	833mm / <b>32.80</b>	125mm (4.92")
<b>1-946-958</b>	958mm / <b>37.72 in</b>	125mm (4.92")
<b>1-946-1083</b>	1083mm / <b>42.64</b>	125mm (4.92")
<b>1-946-1208</b>	1208mm / <b>47.56</b>	125mm (4.92")
<b>1-946-1260</b>	1260mm / <b>49.61</b>	125mm (4.92")
<b>1-946-1385</b>	1385mm / <b>54.53</b>	125mm (4.92")
<b>1-946-1510</b>	1510mm / <b>59.45</b>	125mm (4.92")
<b>1-946-1635</b>	1635mm / <b>64.37</b>	125mm (4.92")
<b>1-946-1760</b>	1760mm / <b>69.29</b>	125mm (4.92")
<b>1-946-1885</b>	1885mm / <b>74.21</b>	125mm (4.92")
<b>1-946-2000</b>	2000mm / <b>78.74</b>	125mm (4.92")
<b>1-946-2032</b>	2032mm / <b>80.00</b>	146mm (5.75")
<b>1-946-2159</b>	2159mm / <b>85.00</b>	149mm (5.86")
<b>1-946-2286</b>	2286mm / <b>90.00</b>	152mm (5.98")

custom lengths available upon request.

Bridgeport Worldwide accepts no responsibility for misprints and subsequent specification changes although every effort has been made to avoid any errors when preparing this document.